

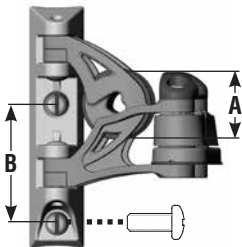
HARKEN®


INSTRUCTIONS

USA: Tel: (+1) 262-691-3320 • Web: harken.com • Email: harken@harken.com
Italy: Tel: (+39) 031.3523511 • www.harken.it • Email: techservice@harken.it

Pivoting Lead Block

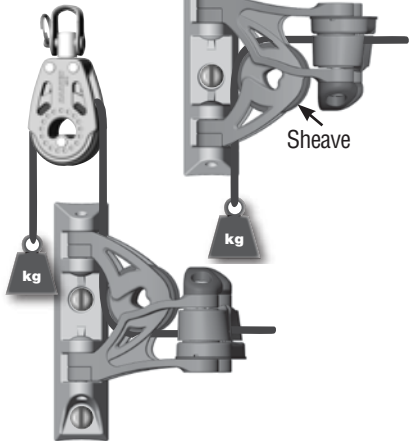
395, 396, 2156, 2157

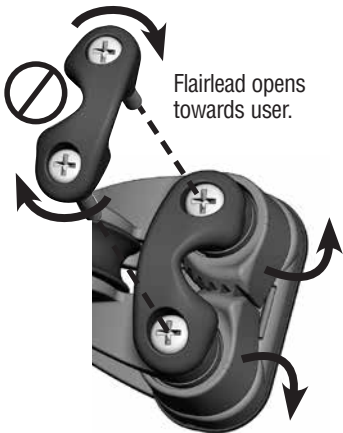


	A		B			
Part No.	in	mm	in	mm	in	mm
395, 396	1 ¹ / ₈	29	2	51	#10	5
2156, 2157	1 ⁹ / ₁₆	40	2 ³ / ₈	60.3	#10	5

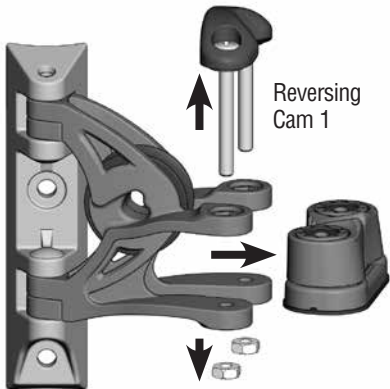
HARKEN

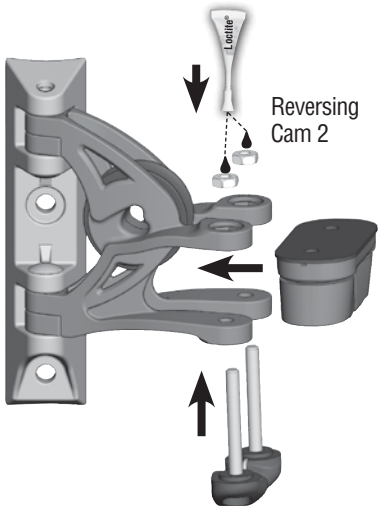
Mount so sheave is towards load.



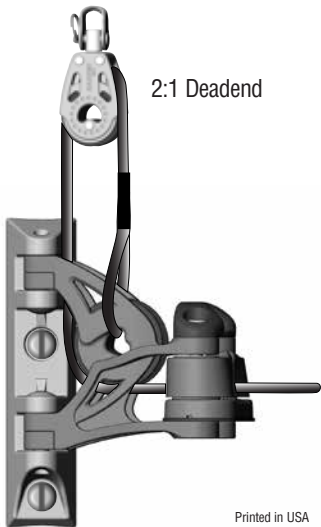


HARKEN





HARKEN



2:1 Deadend