



# INSTRUCTIONS



## AVAILABLE MOUNTING OPTIONS

- Fixed Rod Holder Mount, **T10-3000-5**
- Adjustable Rod Holder Mount, **T10-3000-6**
- Adjustable Clamp-On Mount, fits 3/4", 1" pipe & 1-1/4" tube, **T10-3000-7**
- Telescopic Rod Holder Mount, **T10-3000-9**
- Hardtop Mount Bracket, **T10-3000-10**
- Fixed Clamp-On Mount, fits 3/4" & 1" pipe, **T10-3000-11**
- Grand Slam 170 Outrigger Mount, **GS-170**
- Grand Slam 170-2 Center Rigger Mount, **GS-170-2**

# FIXED ROD HOLDER MOUNT INSTALLATION

- 1) The Fixed Rod Holder Mount is designed to fit into a rod holder on a T-top or into the Telescopic Rod Holder Mount (T10-3000-9, sold separately) on a gunnel.
- 2) Install the Fixed Rod Holder Mount into a firmly welded rod holder or the Telescopic Rod Holder Mount with the gimbal-slot butt end in and the open end out. Verify that the gimbal slots on the mount are mated with the pin in the rod holder.
- 3) Depress the locking pin and slide the butt of the ShadeFin™ into the open end of the Fixed Rod Holder Mount. The Alignment Pin will guide the mount into the correct position (Figure A).

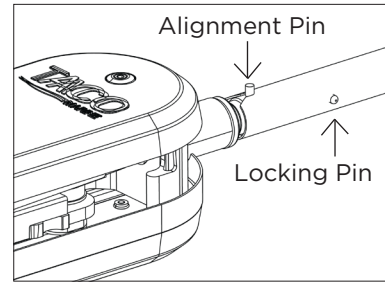


FIGURE A

- 4) **Verify the Locking Pin pops into the locking hole on the mount!**

---

## SHADEFIN OPERATING INSTRUCTIONS/DEPLOYMENT

- 1) Pull down the front arm release buttons while pulling on the arms slightly to release the lock (Figure B). Do not pull the arms to the full outboard locked position yet.
- 2) Pull the fabric material that is tucked along the sides of the body out loosely.
- 3) From the end of the unit, slide the arms out of the housing and spread them outboard.
- 4) Place the ends of the arms into the corner fabric pockets and spread open.
- 5) When fully deployed, the root of the arms will straddle the vertical support posts, as shown (Figure C).
- 6) Pull the front arm (from step 1) outboard to the fully locked position.
- 7) Enjoy your ShadeFin™

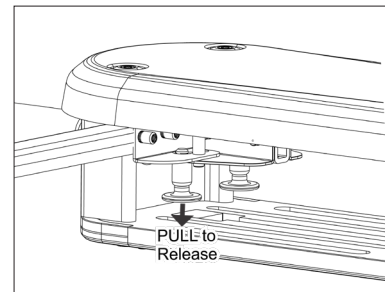


FIGURE B

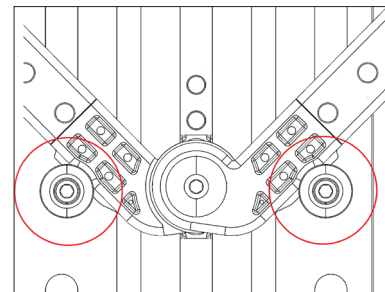


FIGURE C

---

# TACO®

## Safety Tips

**For a safe installation in a rod holder, it is imperative that the rod holder is securely welded to the frame of the top or other area of the boat. If unsure, consult with a reputable marine fabricator.**

# REPLACING THE SHADEFIN FABRIC

- 1) Remove the two front bolts securing the rear of the top cover (Figure D). This will allow you to lift the rear of the cover to allow the fabric to pass.
- 2) Note the orientation of the fabric (Figure E).
- 3) While holding the ferule, remove the Allen head screws to release the ferule (Figure F). Note the orientation of the ferule (face down).
- 4) Install the fabric with the reinforcement strip and corners facing up and align the two center holes with the cover bolts that were removed in step 1.
- 5) Install the cover bolts. This will position the fabric.
- 6) Reinstall the ferules through the grommets in the fabric and fasten with the Allen screws.

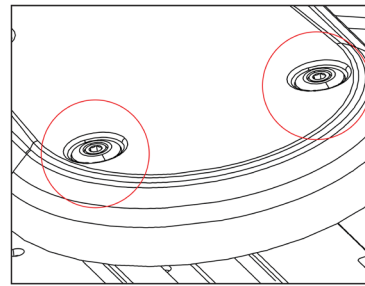


FIGURE D

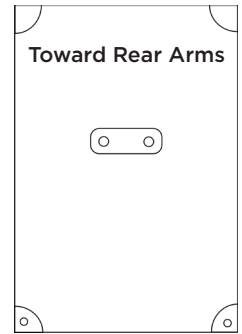


FIGURE E

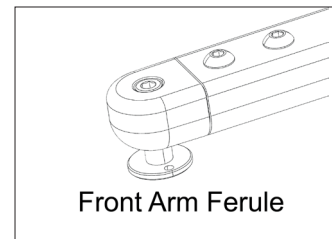


FIGURE F

## FRAME CLEANING

Clean using only fresh water.

## FABRIC CARE

- 1) Brush off loose dirt.
- 2) Hose down with fresh water.
- 3) Prepare a cleaning solution of water and mild soap.
- 4) Use a soft bristle brush to clean.
- 5) Rinse thoroughly until all soap residue is removed.
- 6) Air dry.

## TECHNICAL INFORMATION ABOUT THE SHADEFIN FABRIC

ShadeFin's fabric is a super high strength and durable material with long-term color retention to deliver a truly versatile outdoor fabric for a variety of applications. The industry's most balanced and cost-effective fabric available for marine covers and tops, awnings, or other outdoor applications requiring outstanding durability, higher water repellence and excellent breathability.

- Weight - ASTM D3776 (oz/yd): 7.2oz
- Width - Selvedge Edge (in): 61-62
- Tensile Strength - ASTM D5034 (lbs): WxF 225 x 290
- Stretch (percent) - WxF 12 x 20
- Spray Rating - AATCC 22 (scale): 100
- Hydrostatic Test - AATCC 127 (in): 15
- Colorfastness to Light - AATCC 169 (grade 1- 5, 500 accelerated hours): 4-5
- Made of 100% SaturaMax for ultra-high UV resistance

# STOWAGE

- 1) While applying a slight forward pressure to the front arms, pull down on the locking buttons and allow the front arms to swing freely.
- 2) Fold the front two arms together while lifting the fabric up between them.
- 3) Slide the rear arms forward in the slide track
- 4) Carefully tuck the fabric into the side and front of the body.
- 5) Push the front arms into the body until they latch. (The arms will help hold the fabric in place.)
- 6) Slide the storage bag over the unit.
- 7) Depress the mount locking button and retract from the Fixed Rod Holder Mount.
- 8) Extend the bag to cover the mounting post and slide the zipper closed.



# ADJUSTABLE ROD HOLDER MOUNT INSTALLATION

- 1) The Adjustable Rod Holder Mount (T10-3000-6, sold separately) is designed to fit into a rod holder on a T-top or into the Telescopic Rod Holder Mount on a Mount (T10-3000-9, sold separately) on a gunnel.
- 2) Install the Adjustable Rod Holder Mount into a firmly welded rod holder or the Telescopic Rod Holder Mount with the gimbal-slot butt end in and the open end out. Verify that the gimbal slots on the mount are mated with the pin in the rod holder.
- 3) Depress the locking pin and slide the butt of the ShadeFin™ into the open end of the Adjustable Rod Holder Mount.
- 4) **Verify the pin pops into the locking hole on the mount.**
- 5) Once secure, slowly loosen the knob on the joint of the Adjustable Rod Holder Mount while maintaining one hand firmly on the ShadeFin. When the ShadeFin begins to move freely up or down, adjust to your desired position and then lock the knob firmly in place.
- 6) **Verify the knob is fully tightened before letting go of the ShadeFin.**



---

# ADJUSTABLE CLAMP-ON MOUNT INSTALLATION

**Fits 3/4", 1" Pipe & 1-1/4" tube**

- 1) Using a 5/32" Allen Wrench, remove the hex bolts from the backside of the clamp and remove the rubber insert.
- 2) Place the Adjustable Clamp-On Mount (T10-3000-7, sold separately) on the desired tube or pipe.
- 3) Find the desired angle or position for the rod holder application.
- 4) Once desired position is identified, start assembly.
- 5) Apply the rubber insert back in the Clamp-On receiver.
- 6) Attach to the desired tube or pipe.
- 7) Add the four hex bolts back on to the Clamp-On cap and tighten firmly.
- 8) Depress the locking pin and slide the butt of the ShadeFin™ into the open end of the Clamp-On Mount
- 9) **Verify the pin pops into the locking hole on the mount.**
- 10) Once secure, slowly loosen the knob on the joint of the Adjustable Clamp-On Mount and pull out on the safety release pin while maintaining one hand firmly on the ShadeFin. When the ShadeFin begins to move freely up or down, adjust to your desired position and then lock the knob firmly in place.
- 11) **Verify the knob is fully tightened before letting go of the ShadeFin.**



# FIXED CLAMP-ON MOUNT INSTALLATION

For 3/4" or 1" pipe



**\*\*TACO Marine encourages the use of safety glasses and gloves when working on the installation of this product.\*\***

**PLEASE NOTE** - This mount is designed to fit: 1.05" Outside Diameter "O.D." / 3/4" Iron Pipe Size "I.P.S" and 1.315" O.D. / 1" I.P.S.

## Required Tools\* \*not included

### 1) Marking the Location

- Unbolt the assembled Fixed Clamp-On Mount (T10-3000-11, sold separately) after removing it from its package.
- Install your ShadeFin into the mount.
- Have someone help you position the lower cap mount, with the ANTI-ROTATION PIN, to the exact location you want the angle of the ShadeFin.
- After finding the location you want to mount the ShadeFin, mark the point of contact of the ANTI-ROTATION PIN in the lower cap (see drawing on pg. 7), on the T-top tube/tower pipe with a permanent marker.
- Remove the ShadeFin and mount from the T-top tube/tower pipe.

### 2) Drill and Prepare the Rotation/Set Pin Hole

- It is best to "center-punch" the mark prior to drilling the 1/4" hole.
- This will help keep the drill bit from "wandering/moving" when beginning to drill.
- Apply grease to the tip of a 1/4" metal drill bit.
- After center-punching the marked location, carefully and squarely drill a hole through only one wall of the T-top/tower piping.
- Deburr the drilled hole.

• HAND DRILL

• 1/4" DRILL BIT

• LIGHT MACHINE GREASE

• LIGHT MACHINE OIL

• 3/16" ALLEN WRENCH/BIT

• TORQUE WRENCH

• PERMANENT MARKER

# FIXED CLAMP-ON MOUNT INSTALLATION

For 3/4" or 1" pipe

- Wipe off any excess grease and metal chips from the area and parts.
- 3) **Install the Fixed Clamp-On Mount**
- Remove the ShadeFin from the mount prior to installing the mount onto the T-top tube/tower pipe.
  - Position the ANTI-ROTATION PIN, which is fixed into the lower cap, into the drilled hole.
  - Install the upper support tube (see drawing pg. 7) down onto the other side of the pipe with the drain hole facing down to the deck.
  - Using a light oil/grease on the threads of the fasteners, install all four and proceed to evenly hand-tighten the fasteners.  
**\*\* Do not over tighten, or the aluminum threads may strip. \*\***
  - We recommend using a torque wrench set to:
    - 3 foot-pounds (lubricated threads), or
    - 4 foot-pounds (dry threads)
  - Re-check the torque of the fasteners after 24 hours, as the clamp may settle into the T-top tube/tower pipe.
- 4) **Attaching the ShadeFin (once the Fixed Clamp-On Mount is secured)**
- Depress the locking pin and slide the butt of the ShadeFin into the open end of the Fixed Clamp-On-Mount.
  - Insert the unit to allow the Guide Notch to receive the Guide Pin on the ShadeFin butt section for proper positioning.
  - Verify the Locking Pin pops into the locking hole on the mount.
  - Enjoy your ShadeFin.

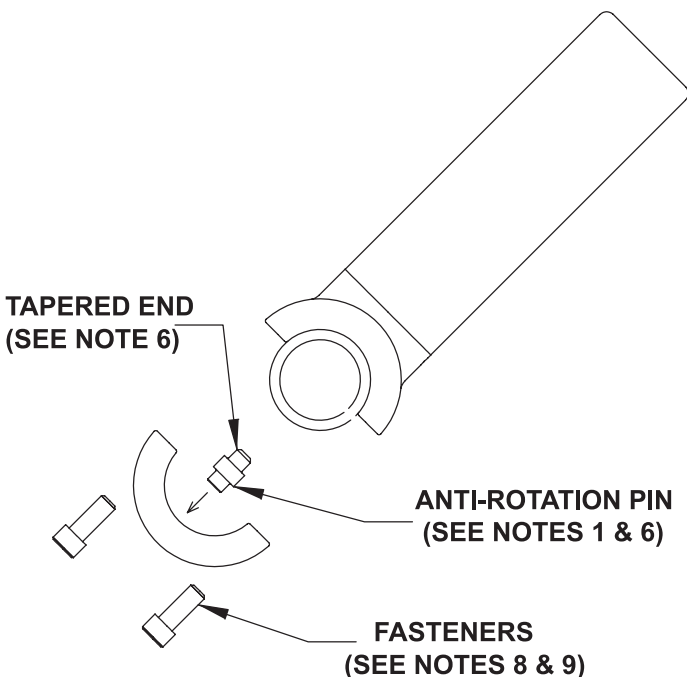
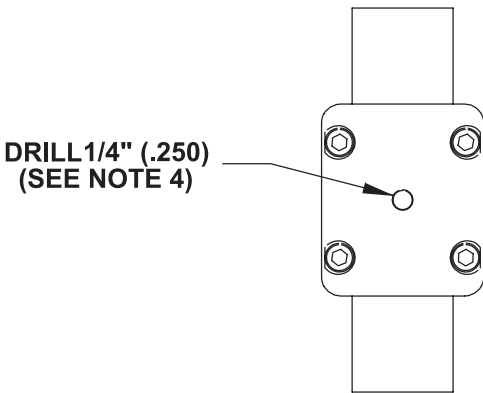
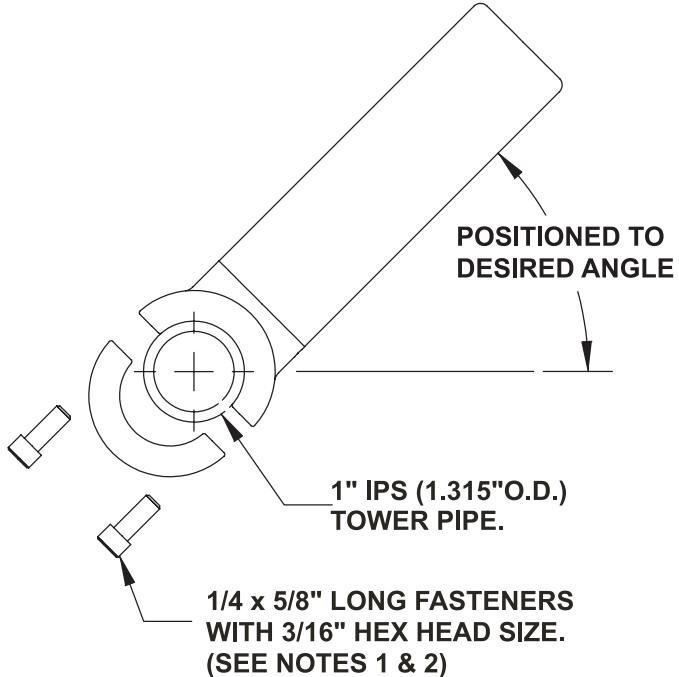
## Glossary of Terms:

**Center Punch** - to make a small hole in something as a guide for a drill, using a tool with a conical point that is used to make indentations in metal

**Deburr** - to neaten and smooth the rough edges

**Wandering/Moving** - drill bit moving from off of the desired location

# FIXED CLAMP-ON MOUNT TECHNICAL DRAWING





# GRAND SLAM 170 OUTRIGGER & GRAND SLAM 170-2 CENTER RIGGER MOUNT INSTALLATION

## GS-170 & GS-170-2



- 1) If your GS-170 Outrigger or GS-170-2 Center Rigger Mounts are already installed, please skip to step 3.
- 2) If you purchased a GS-170 or GS-170-2 specifically for use with ShadeFin, please follow the installation instructions included with these products. You can also find the GS-170 and GS-170-2 installation instructions online at [tacomarine.com/instruction-manuals](https://www.tacomarine.com/instruction-manuals).
- 3) The GS-170 and GS-170-2 are designed to accept poles that are 1-1/8" in diameter. The ShadeFin butt end is also 1-1/8" in diameter and has the same TACO pin-locking technology as 1-1/8" diameter poles, which means it's possible to use it with either of these mounts.  
**(Note - It may be necessary to remove the fixed guide pin from the ShadeFin in order to allow the fit.)**
- 4) On both the GS-170 and GS-170-2, the arm of the mounts have a hole where the ShadeFin's butt-end pop-out pin will lock into place. Simply slide the butt end, or mounting post, of the ShadeFin into the GS-170 or GS-170-2 arm and ensure the pin pops out of the hole, which locks it in place.  
**(Note - the GS-170 and GS-170-2 do not have the guiding slot to steer the pop-out pin automatically.)**
- 5) Use the lifting knob on the side of the mount to adjust the height of the ShadeFin. On the GS-170 Outrigger Mount, you can also use the outward rotation lever to change the direction of the ShadeFin.
- 6) Ensure the lifting knob and rotation lever are secure and enjoy your ShadeFin.

BLANK PAGE

BLANK PAGE



@tacomarine

