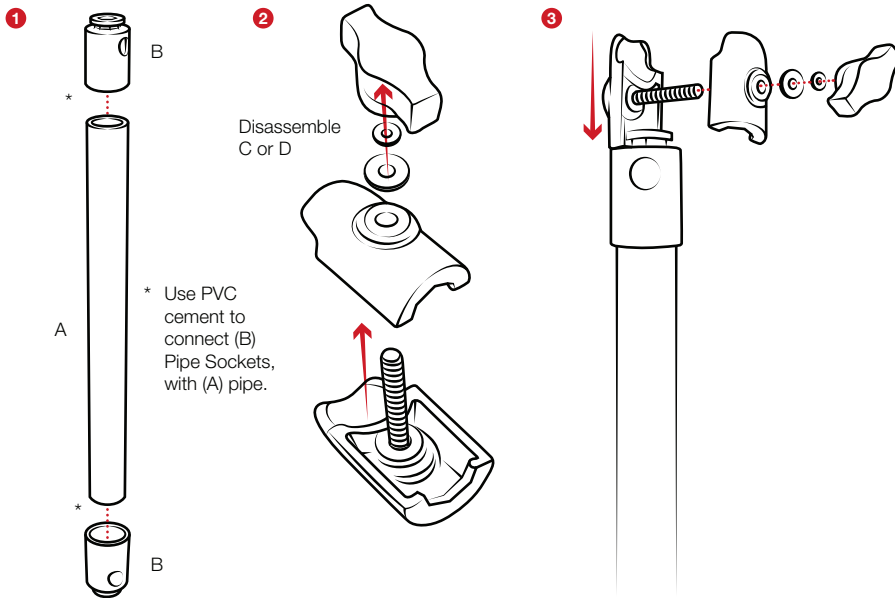
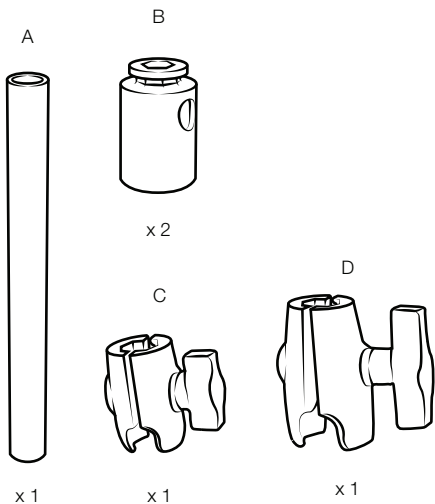


Parts Index

* not to scale



RPR-INS-CB-201

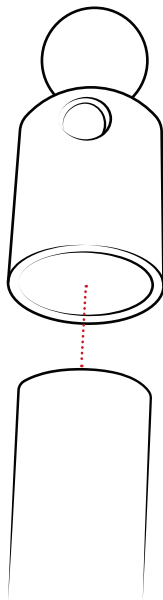
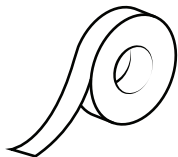


rammount.com
1.800.497.7479
support@rammount.com

RAM® Pipe-To-Socket

Installation

Secure RAM® PVC Pipe-To-Socket components in place using PVC cement, or apply electrical tape to the pipe to create a press-fit.



Notes

The RAM® PVC Pipe-To-Socket mounting system is intended for calm environments. Extra stabilization may be required when mounted to any vehicle or harsh environment to protect against vibration. Safety tether is recommended when necessary.

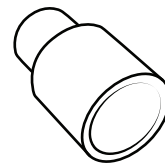
Components may vary



RAP-AAP-PPU



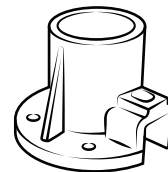
RAP-B-294U



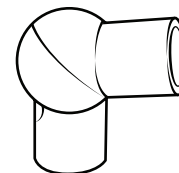
RAP-PPA-MRF75



RAP-114-PSPU



RAP-278U



RAP-288PU

RPR-INS-PP