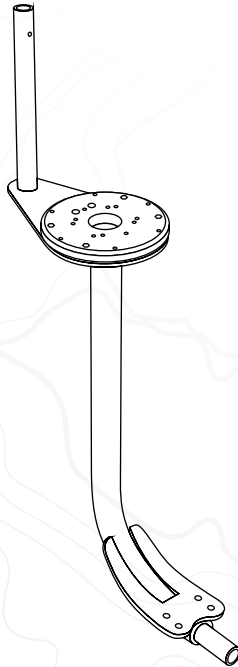


SEAVIEW

ELEVATE YOUR ELECTRONICS



INSTALLATION INSTRUCTIONS

For Seaview Light Bars:

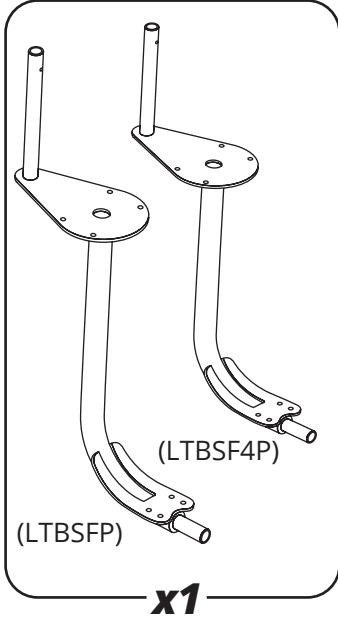
LTBSF, LTBSF2 & LTBSF4

Refer to website for most up to
date instructions and videos.

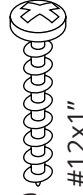
WWW.SEAVIEWGLOBAL.COM

PARTS INCLUDED

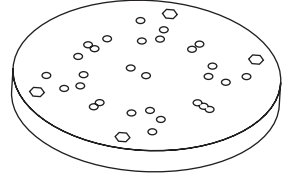
LTB-SF PARTS



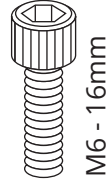
1/4 - 20 x 1"



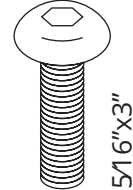
#12x1"



5/16" x 1"

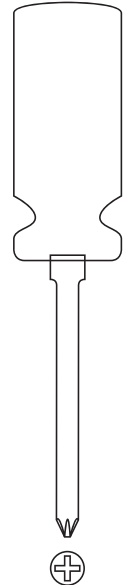


M6 - 16mm



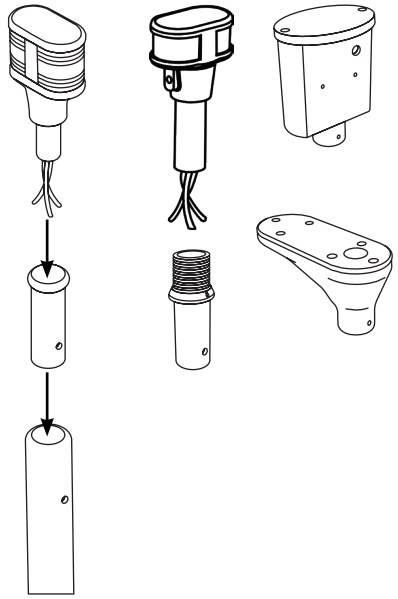
5/16"x3"

TOOLS NEEDED



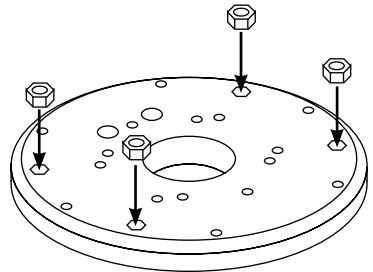
1

Install your light, adapter or box onto the light bar by following the instructions that came with the optional accessory.



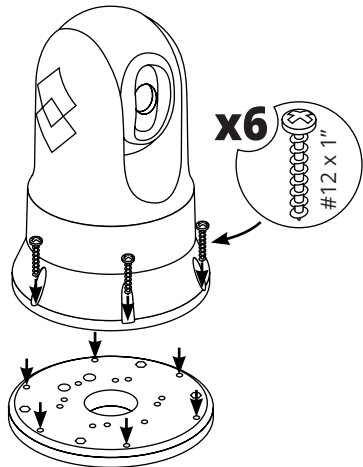
2

Insert the four nuts into the adapter plate. This has most likely been done for you.



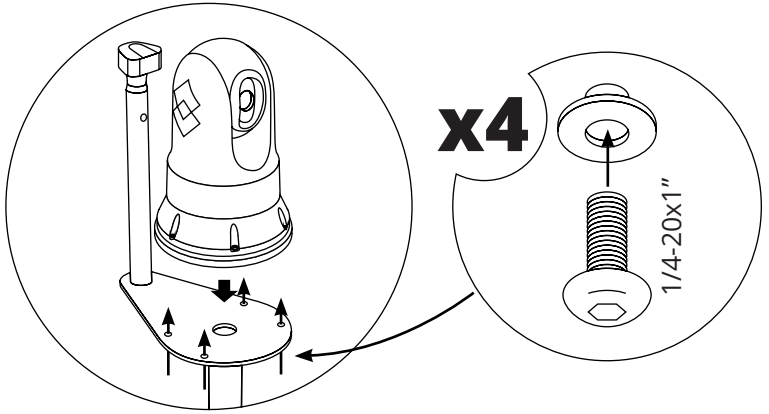
3A

Drill small pilot hole for #12 screws. Refer to the drill template on the last page for drill location. Using a phillips head screwdriver screw in the six #12x1" screws to secure the camera to the adapter plate. **(For #LTBSF2 & LTBSF4 only)**



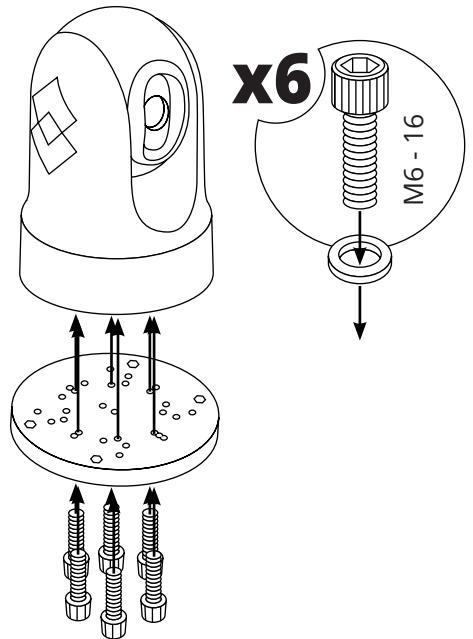
3B

Secure the camera or search light assembly to the light bar using the four 1/4-20x1" bolts and nylon shoulder washers.



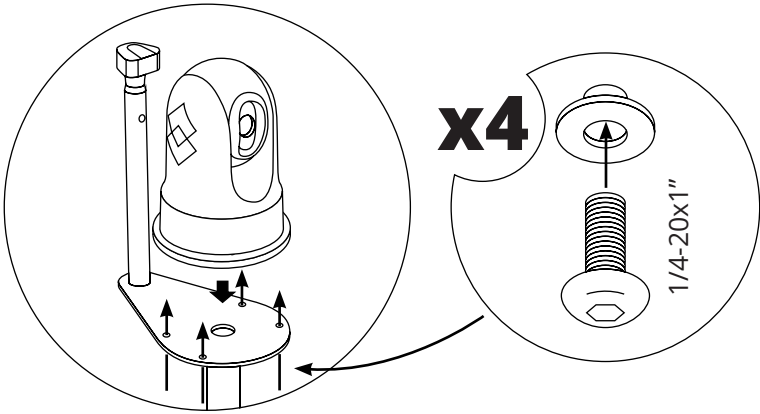
4A

Drill holes for M6 bolts. Refer to the drill template on the last page for drill location. Using an Allen wrench, screw in the six M6 - 16mm bolts to secure the camera to the adapter plate. (For #LTB-SF only)



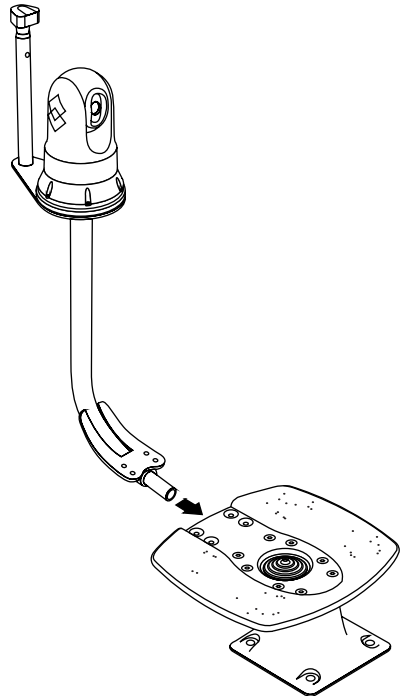
4B

Secure the camera or search light assembly to the light bar using the four 1/4-20x1" bolts and nylon shoulder washers.



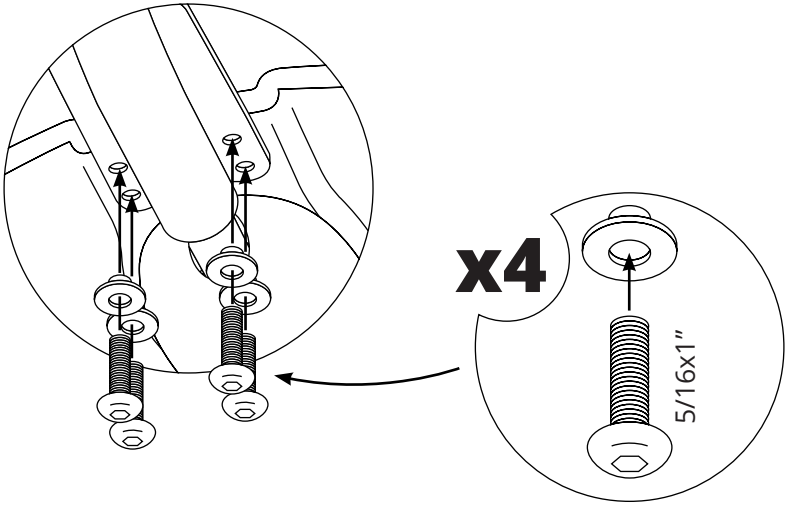
5

Insert the light bar into the light bar hole located on the back of the Seaview mount.



6A

Using the four 5/16x1" bolts and nylon shoulder washers, secure the light bar by bolting it to the top plate.



6B

When using the Seaview #SP1-MOD or #SP2-MOD Spreader Kits use the 5/16x3" bolts.

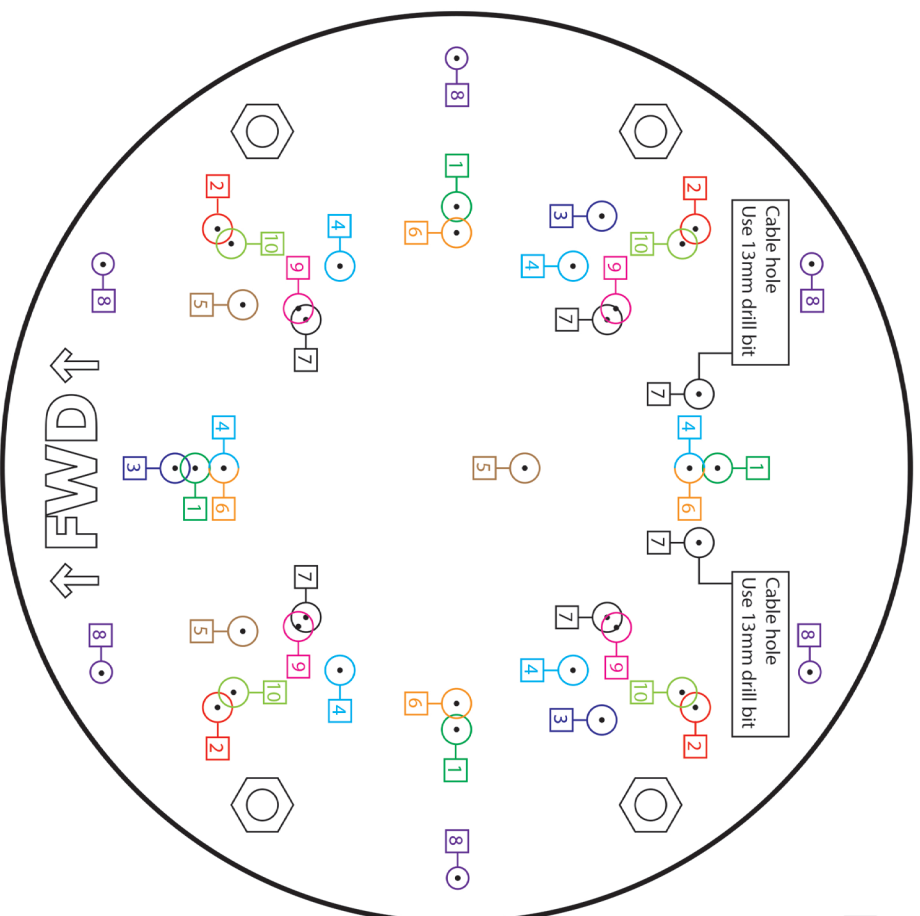
SLADAPT-3 Drill Template

SEARCH LIGHTS

- 1 **ACR**
RCL 75
- 6 **ACR**
RCL 100
- 2 **GOUGHT**
2000 / 2020
- 3 **GOUGHT**
STRIKER

CAMERAS

- 4 **FLIR** **RAYMARINE**
M-Series
1300 / 1600 Series
- 5 **GARMIN**
2000 / 2020
- 7 **FLIR** **RAYMARINE**
MD-Series
1200 Series
- 8 **FLIR**
M232
- 9 **Omnisense**
Ulysses Micro
- 10 **Omnisense**
Ulysses Mini



The background of the entire page is a light gray topographic map with white contour lines. The lines are irregular and wavy, representing elevation changes across a landscape. The map is centered and fills the entire frame.

SEAVIEW///
ELEVATE YOUR ELECTRONICS

SEAVIEW///

Tel: 800-655-7922
www.seaviewglobal.com

EUROPEAN OFFICE

Tel: +33 4 94 53 27 70
www.seaviewprogress.com

5-4232021