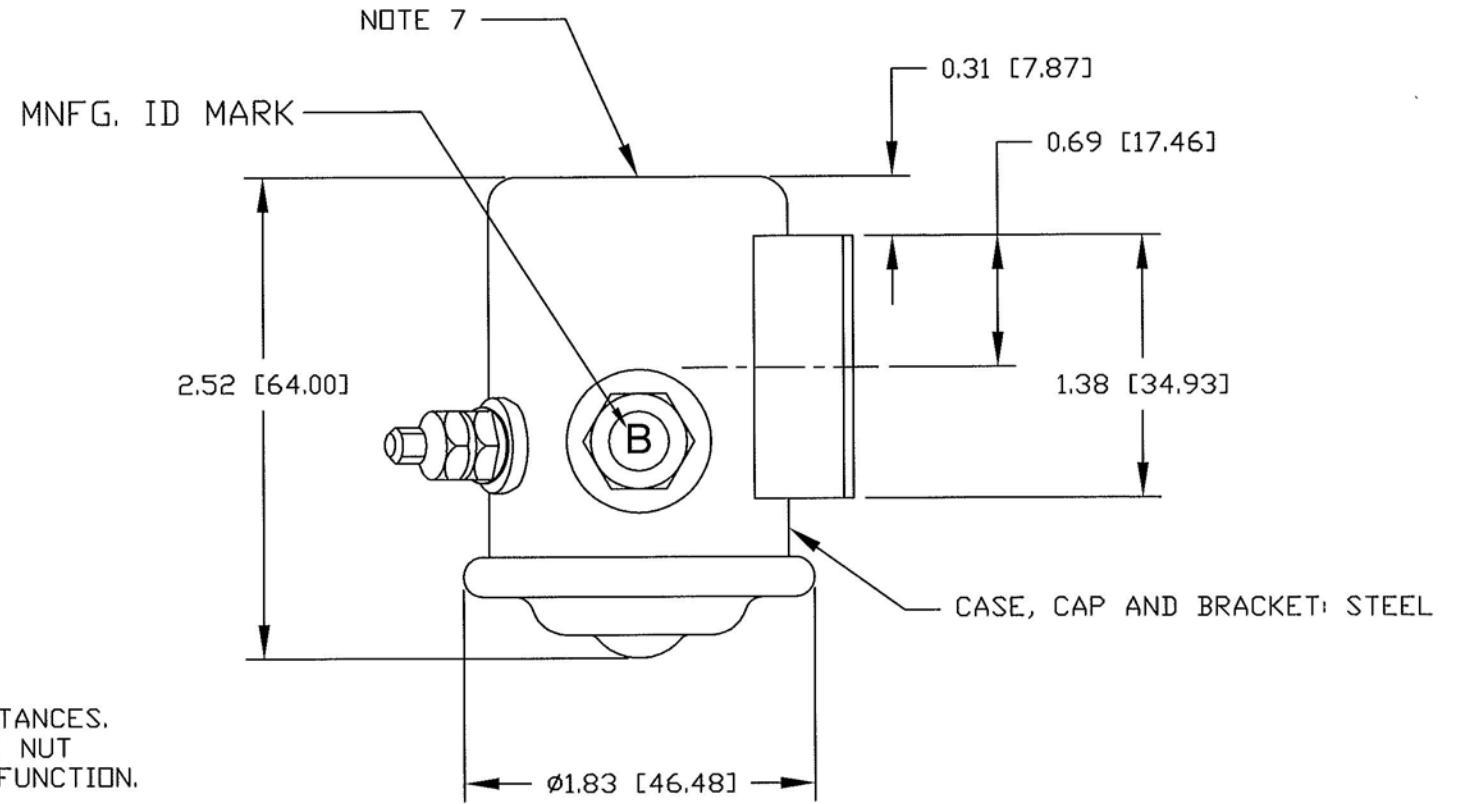
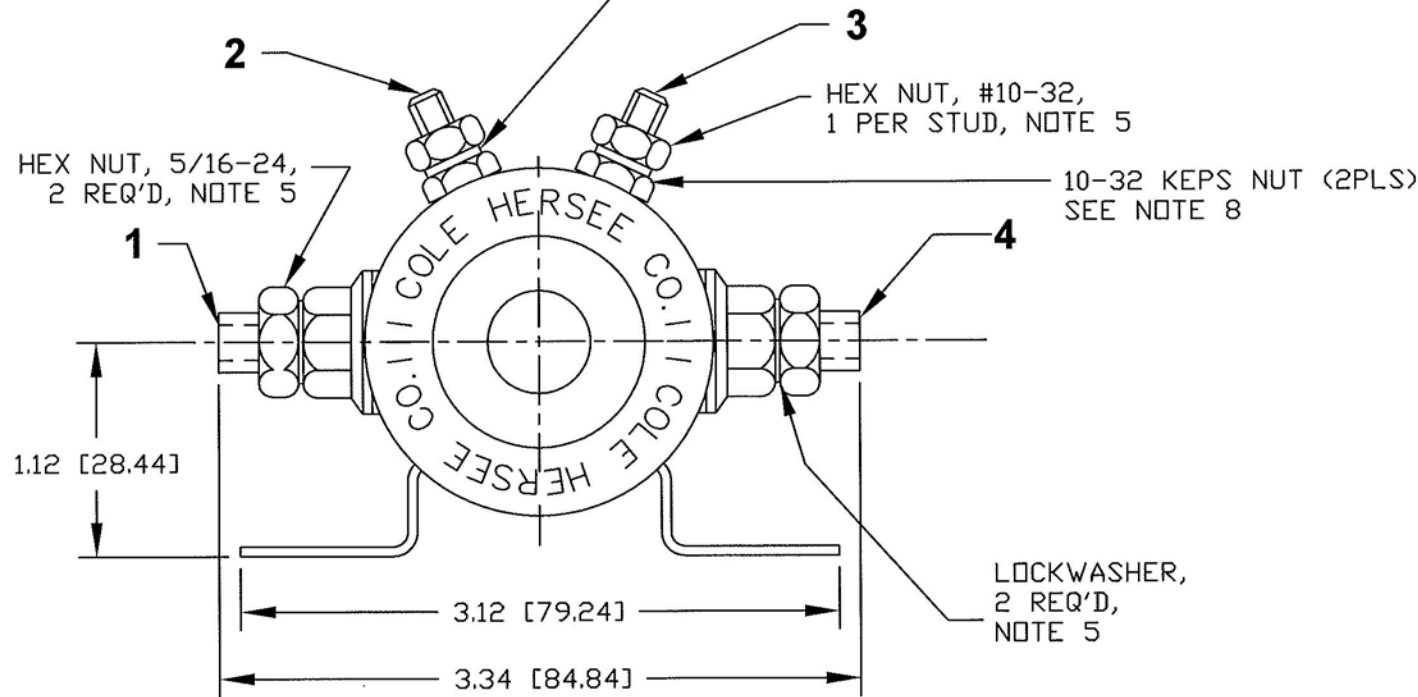


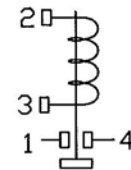
THIS KEPS NUT (2PLS) IS TIGHTENED AT THE FACTORY TO THE PROPER SPECS AND MUST NOT BE LOOSENED OR REMOVED UNDER ANY CIRCUMSTANCES. REMOVING OR LOOSENING THIS NUT WILL CAUSE PRODUCT TO MALFUNCTION. SEE NOTE 8



LOCKWASHER, 1 PER STUD, NOTE 5



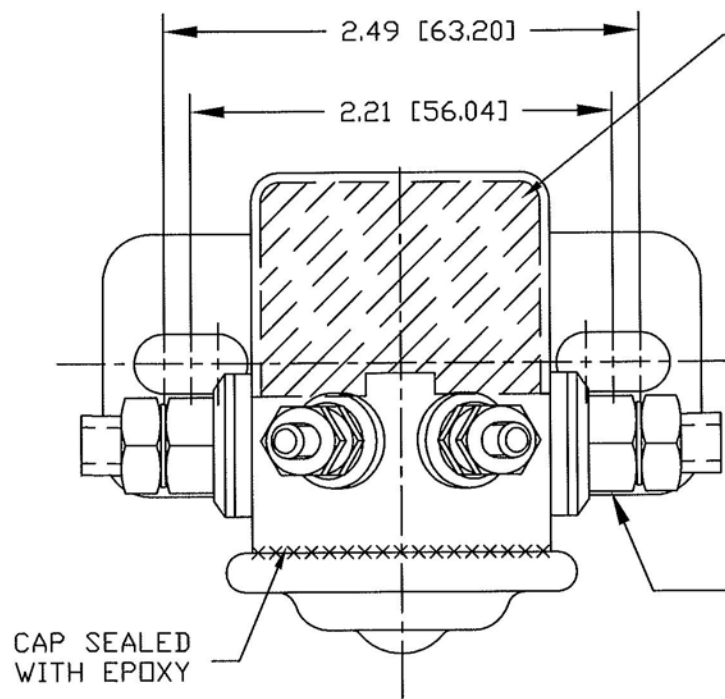
SCHEMATIC



NOTES:

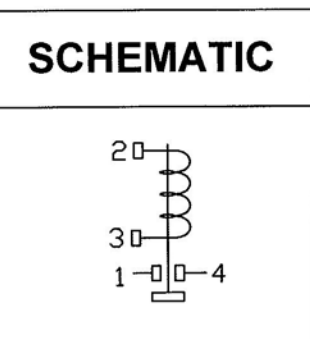
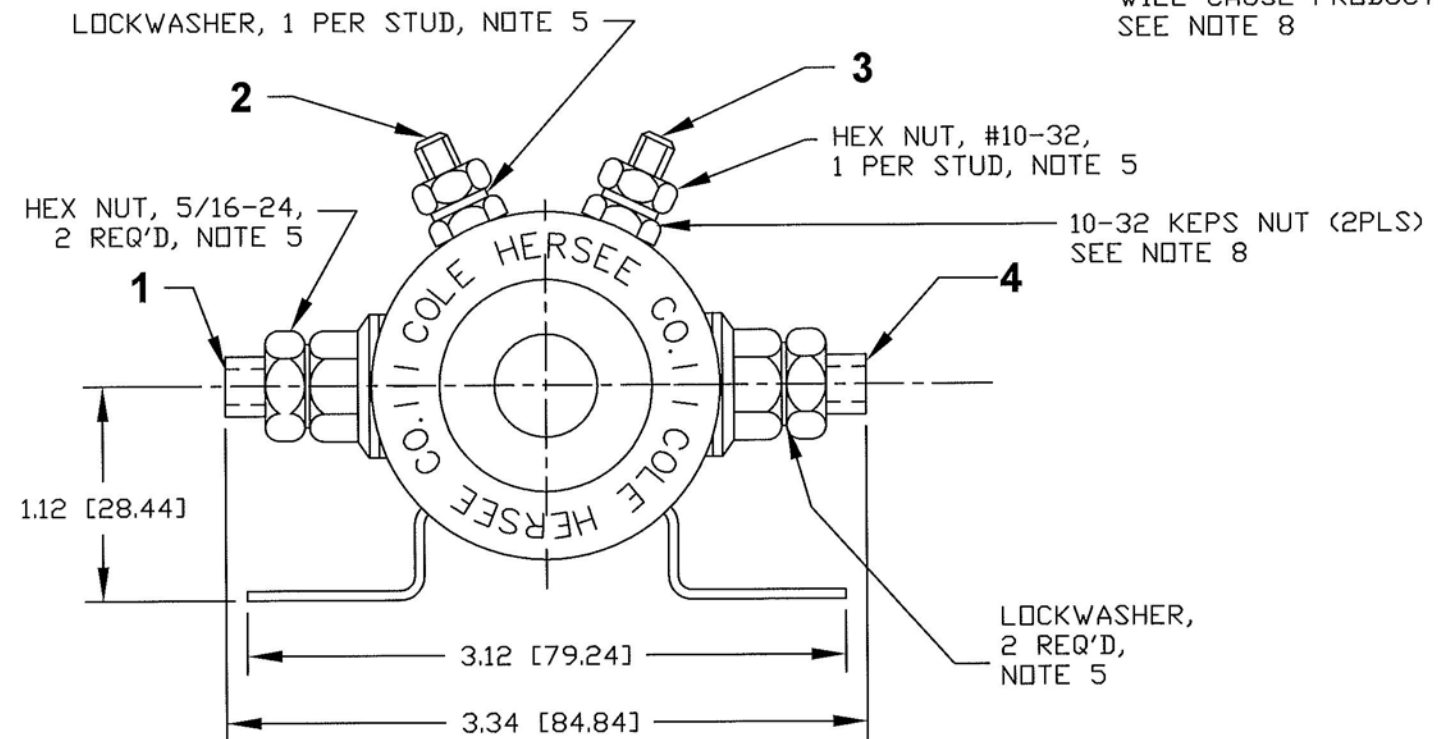
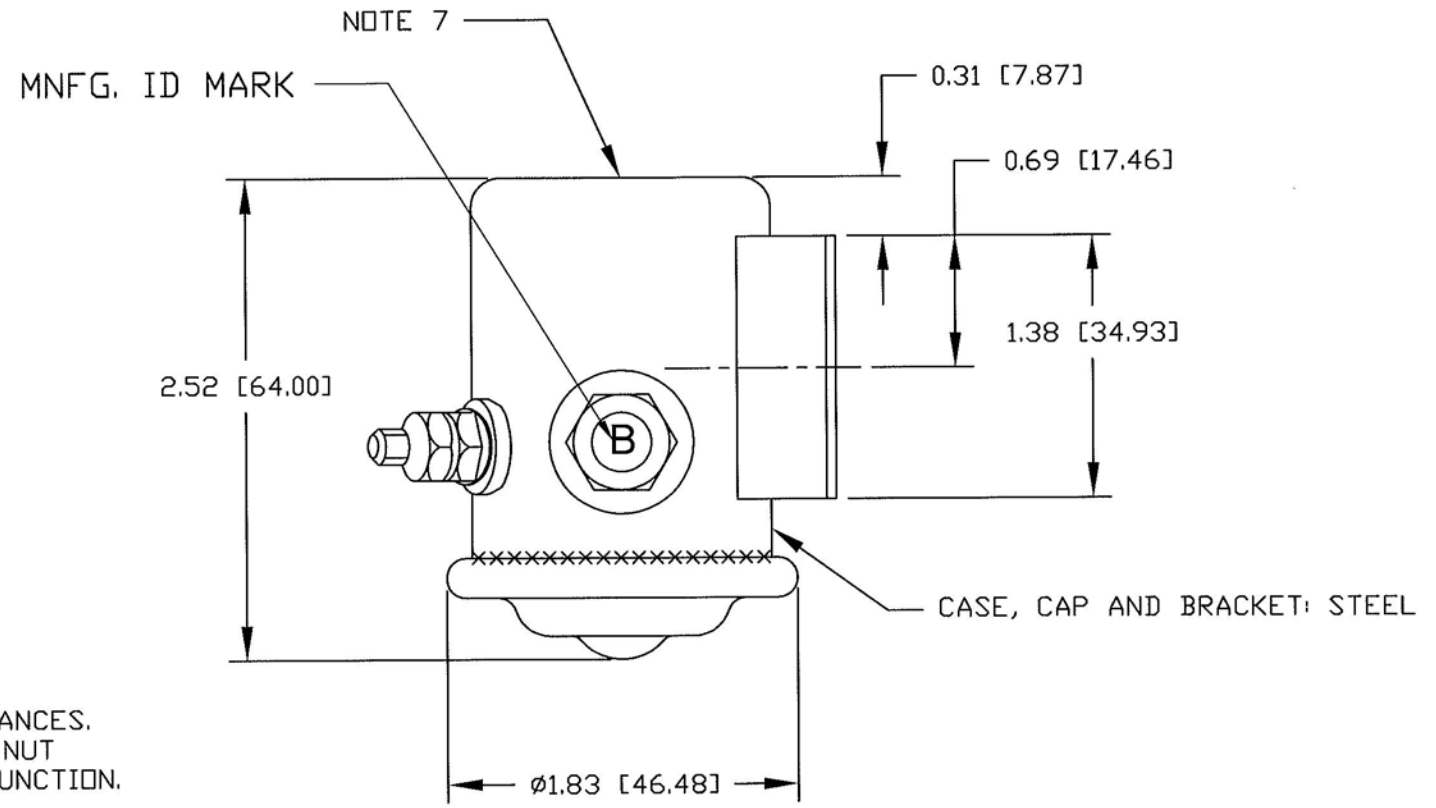
1. ALL STEEL PARTS PLATED.
2. ALL DIMENSIONS ARE REFERENCE ONLY UNLESS OTHERWISE SPECIFIED
3. ELECT. RATING: 200A @ 12Vdc, CONTINUOUS. COIL RESISTANCE: 17.5 OHMS.
4. MAX TORQUE FOR CUSTOMER APPLIED NUTS TO BE: #10-32= 15 IN-LBS (1.69 N.m); 5/16-24= 35 IN-LBS (3.95 N.m)
5. HARDWARE WILL BE BAGGED AND SHIPPED LOOSE.
6. ALL CONTACTS ARE SILVER LAMINATED.
7. PART NUMBER, DATE CODE & VOLTAGE INK STAMPED ON BOTTOM OF SOLENOID
8. 5/16 AND 10-32 KEPS NUTS MUST NEVER BE REMOVED OR LOOSENED. THEY ARE FACTORY-TORQUED TO PROPER SPECS.

Revision Control Record				Rev.	Description of Change	ECN No.	Date	Tolerances Unless otherwise specifically noted, the following are default tolerances:		PROPRIETARY INFORMATION This Engineering Drawing, and the information contained herein, is proprietary to Cole Hersee Company and may not be disclosed, re-produced, or in any other way transferred or communicated to any other party without the express written consent of an authorized representative of Cole Hersee Company.		Special Characteristics:		Cole Hersee Co. 20 Old Colony Ave., South Boston, MA, 02127 Phn: 617-268-2100 Web: www.colehersee.com	
Rev.	Description of Change	ECN No.	Date					2-places +/- 0.02"	3-places +/- 0.005"	Angular +/- 1'	<input type="checkbox"/> Critical Characteristic, relating to Safety and/or Regulatory Compliance	<input checked="" type="checkbox"/> Significant Characteristic relating to Process Control	Description: SOLENOID, N/O, 12V		
A	NEW NUMBER RELEASE	11200	6/27/11								<input type="checkbox"/> Control Dimension relating to Form - Fit - Function as defined by Cole Hersee Company and/or the Customer		Drawing / Part No.: 24213	Current Rev. A	
								FORM CHT-6 (2/07)	Used On or Ref.: 24143	Scale: 1:1	Drawn BY: G.Auguste	Date Drawn: 6/27/11	Pg. 1 of 1		



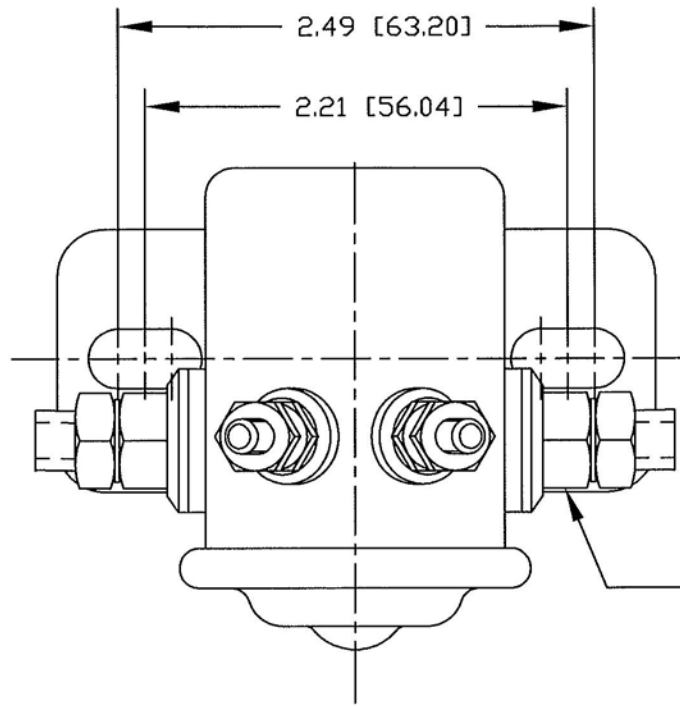
COIL POTTED TO SECURE AGAINST VIBRATION.

THIS KEPS NUT (2PLS) IS TIGHTENED AT THE FACTORY TO THE PROPER SPECS AND MUST NOT BE LOOSENED OR REMOVED UNDER ANY CIRCUMSTANCES. REMOVING OR LOOSENING THIS NUT WILL CAUSE PRODUCT TO MALFUNCTION. SEE NOTE 8

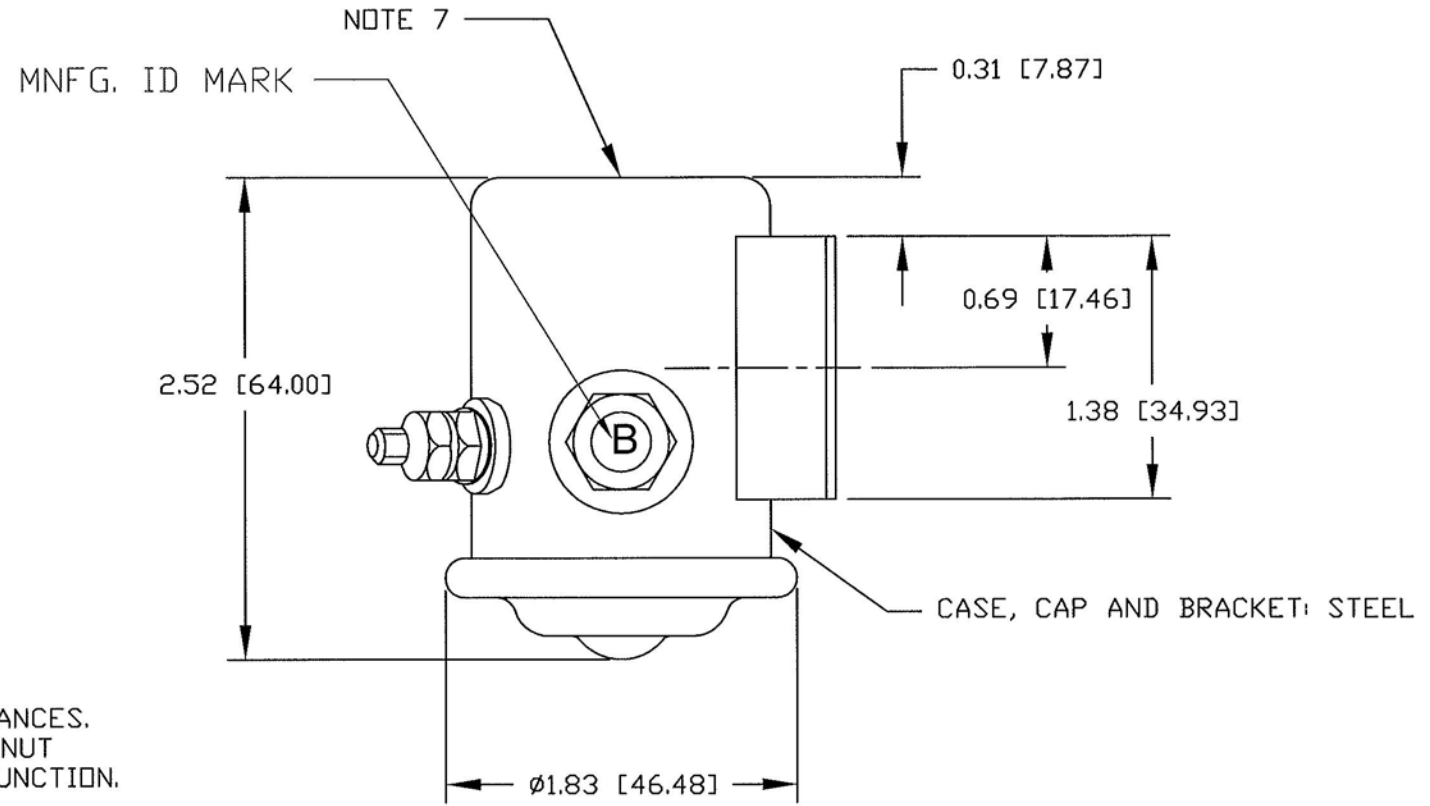


- NOTES:
1. ALL STEEL PARTS PLATED.
 2. ALL DIMENSIONS ARE REFERENCE ONLY UNLESS OTHERWISE SPECIFIED
 3. ELECT. RATING: 200A @ 12Vdc, CONTINUOUS. COIL RESISTANCE: 17.5 OHMS.
 4. MAX TORQUE FOR CUSTOMER APPLIED NUTS TO BE: #10-32= 15 IN-LBS (1.69 N.m); 5/16-24= 35 IN-LBS (3.95 N.m)
 5. HARDWARE WILL BE BAGGED AND SHIPPED LOOSE.
 6. ALL CONTACTS ARE SILVER LAMINATED.
 7. PART NUMBER, DATE CODE & VOLTAGE INK STAMPED ON BOTTOM OF SOLENOID
 8. 5/16 AND 10-32 KEPS NUTS MUST NEVER BE REMOVED OR LOOSENED. THEY ARE FACTORY-TORQUED TO PROPER SPECS.

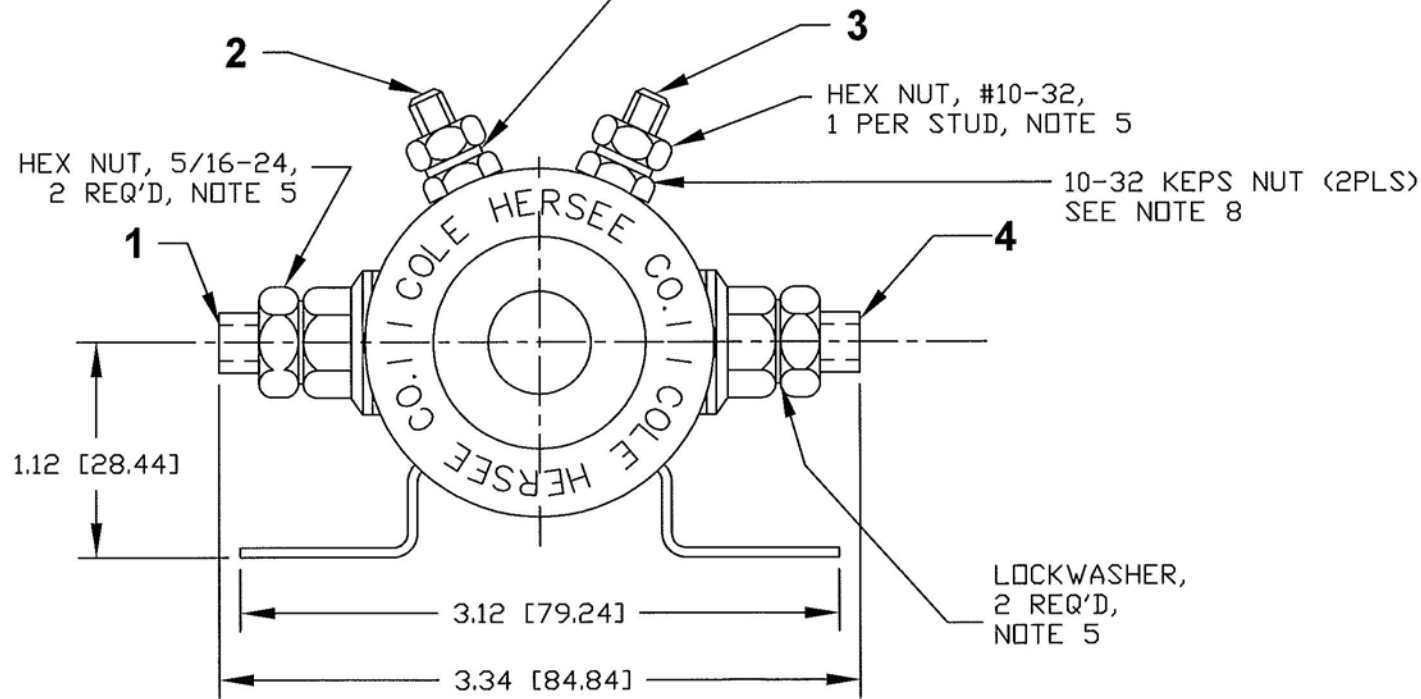
Revision Control Record				Rev.	Description of Change	ECN No.	Date	Tolerances Unless otherwise specifically noted, the following are default tolerances:		PROPRIETARY INFORMATION This Engineering Drawing, and the information contained herein, is proprietary to Cole Hersee Company and may not be disclosed, re-produced, or in any other way transferred or communicated to any other party without the express written consent of an authorized representative of Cole Hersee Company.		Special Characteristics:		Cole Hersee Co. 20 Old Colony Ave., South Boston, MA, 02127 Phn: 617-268-2100 Web: www.colehersee.com	
Rev.	Description of Change	ECN No.	Date					2-places +/- 0.02"	3-places +/- 0.005"	Angular +/- 1'	<input type="checkbox"/> Critical Characteristic, relating to Safety and/or Regulatory Compliance	<input checked="" type="checkbox"/> Significant Characteristic relating to Process Control	Description: SOLENOID, N/O, 12V		
A	NEW NUMBER RELEASE	11200	6/27/11								<input checked="" type="checkbox"/> Control Dimension relating to Form - Fit - Function as defined by Cole Hersee Company and/or the Customer		Drawing / Part No.:	24213-01	Current Rev. A
								FORM CHT-6 (2/07)	Used On or Ref: 24143-01	Scale: 1:1	Drawn BY: G.Auguste	Date Drawn: 6/27/11	Pg. 1 of 1		



THIS KEPS NUT (2PLS) IS TIGHTENED AT THE FACTORY TO THE PROPER SPECS AND MUST NOT BE LOOSENED OR REMOVED UNDER ANY CIRCUMSTANCES. REMOVING OR LOOSENING THIS NUT WILL CAUSE PRODUCT TO MALFUNCTION. SEE NOTE 8

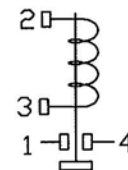


LOCKWASHER, 1 PER STUD, NOTE 5



LOCKWASHER, 2 REQ'D, NOTE 5

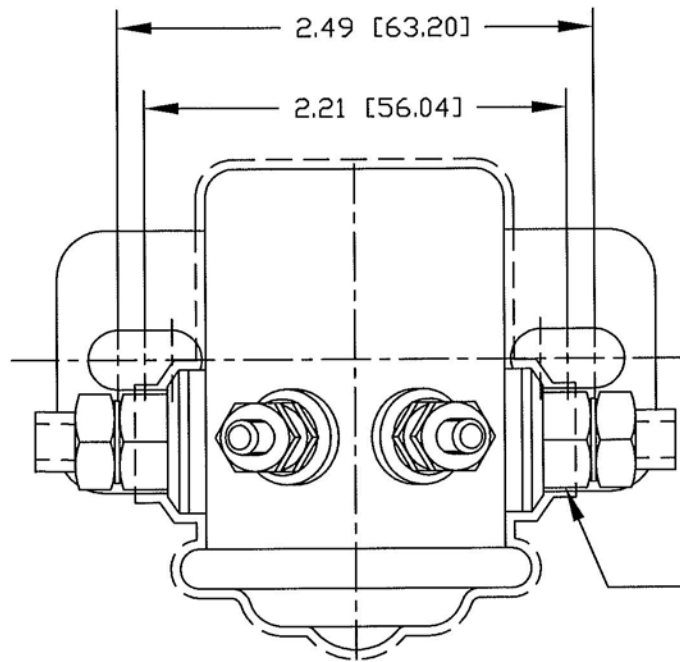
SCHEMATIC



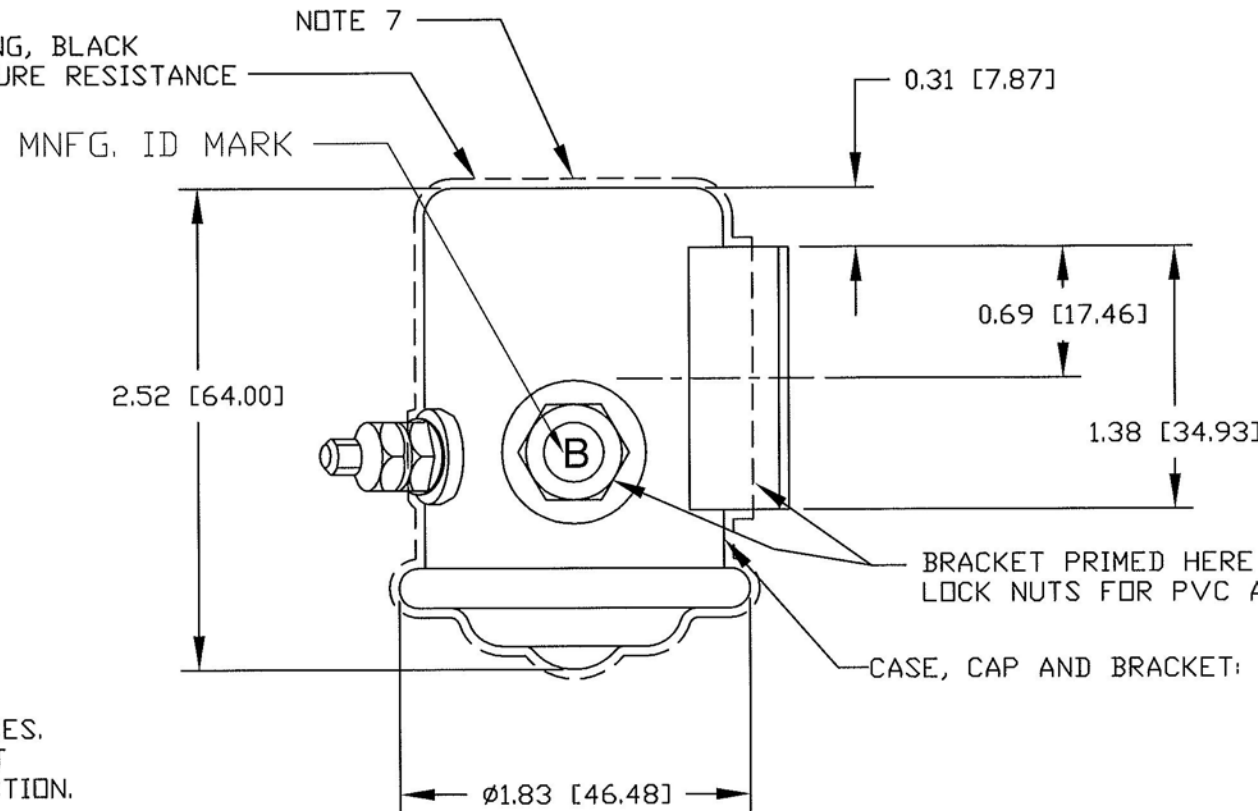
NOTES:

1. ALL STEEL PARTS PLATED.
2. ALL DIMENSIONS ARE REFERENCE ONLY UNLESS OTHERWISE SPECIFIED
3. ELECT. RATING: 200A @ 36Vdc, CONTINUOUS. COIL RESISTANCE: 130 OHMS.
4. MAX TORQUE FOR CUSTOMER APPLIED NUTS TO BE: #10-32= 15 IN-LBS (1.69 N.m); 5/16-24= 35 IN-LBS (3.95 N.m)
5. ALL HARDWARE WILL BE ASSEMBLED TO PART.
6. ALL CONTACTS ARE SILVER LAMINATED.
7. PART NUMBER, DATE CODE & VOLTAGE INK STAMPED ON BOTTOM OF SOLENOID.
8. 5/16 AND 10-32 KEPS NUTS MUST NEVER BE REMOVED OR LOOSENED. THEY ARE FACTORY-TORQUED TO PROPER SPECS.

Revision Control Record				Rev.	Description of Change	ECN No.	Date	Tolerances	PROPRIETARY INFORMATION	Special Characteristics:	Cole Hersee Co.		
Rev.	Description of Change	ECN No.	Date					Unless otherwise specifically noted, the following are default tolerances:	This Engineering Drawing, and the information contained herein, is proprietary to Cole Hersee Company and may not be disclosed, re-produced, or in any other way transferred or communicated to any other party without the express written consent of an authorized representative of Cole Hersee Company.	<input checked="" type="checkbox"/> Critical Characteristic, relating to Safety and/or Regulatory Compliance <input checked="" type="checkbox"/> Significant Characteristic relating to Process Control <input checked="" type="checkbox"/> Control Dimension relating to Form-Fit - Function as defined by Cole Hersee Company and/or the Customer	20 Old Colony Ave., South Boston, MA, 02127 Phn: 617-268-2100 Web: www.colehersee.com		
A	NEW NUMBER RELEASE	11200	6/27/11					2-places +/- 0.02" 3-places +/- 0.005" Angular +/- 1'			Description: SOLENOID, N/O, 36V		Current Rev.
								Metric: Shown in [] refers to equivalent English Dim Tol			Drawing / Part No.: 24213-02		A
								"REF." or an Asterisk (*) = Non-Toleranced Reference Dimension, shown for clarification purposes only. NOTE: All tolerances are Non-Cumulative.			Scale: 1:1 Drawn BY: G.Auguste Date Drawn: 6/27/11 Pg. 1 of 1		
								FORM CHT-6 (2/07)	Used On or Ref.: 24143-02				



PVC COATING, BLACK
IP66 MOISTURE RESISTANCE

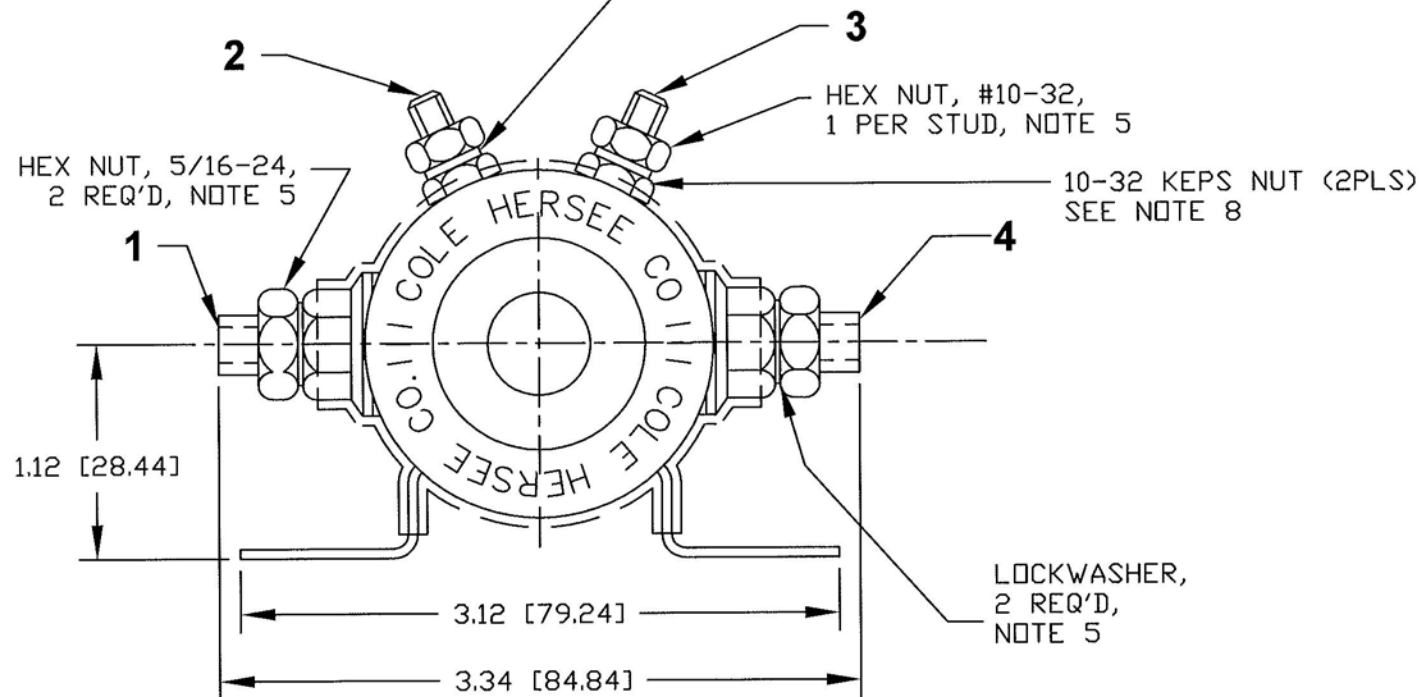


THIS KEPS NUT (2PLS) IS TIGHTENED AT THE FACTORY TO THE PROPER SPECS AND MUST NOT BE LOOSENED OR REMOVED UNDER ANY CIRCUMSTANCES. REMOVING OR LOOSENING THIS NUT WILL CAUSE PRODUCT TO MALFUNCTION. SEE NOTE 8

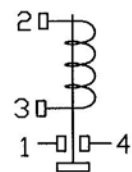
BRACKET PRIMED HERE AND ALL LOCK NUTS FOR PVC ADHESION.

CASE, CAP AND BRACKET: STEEL

LOCKWASHER, 1 PER STUD, NOTE 5



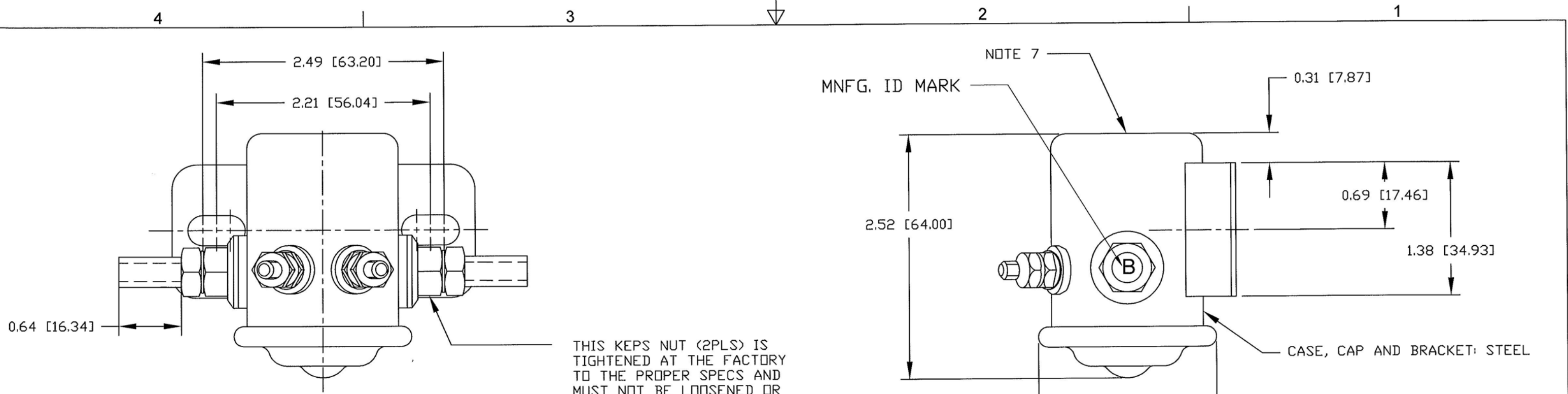
SCHEMATIC



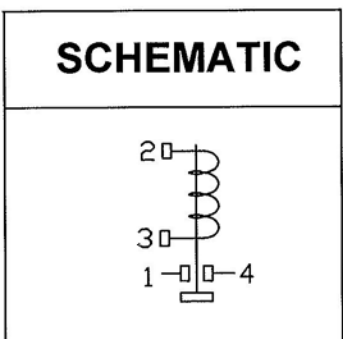
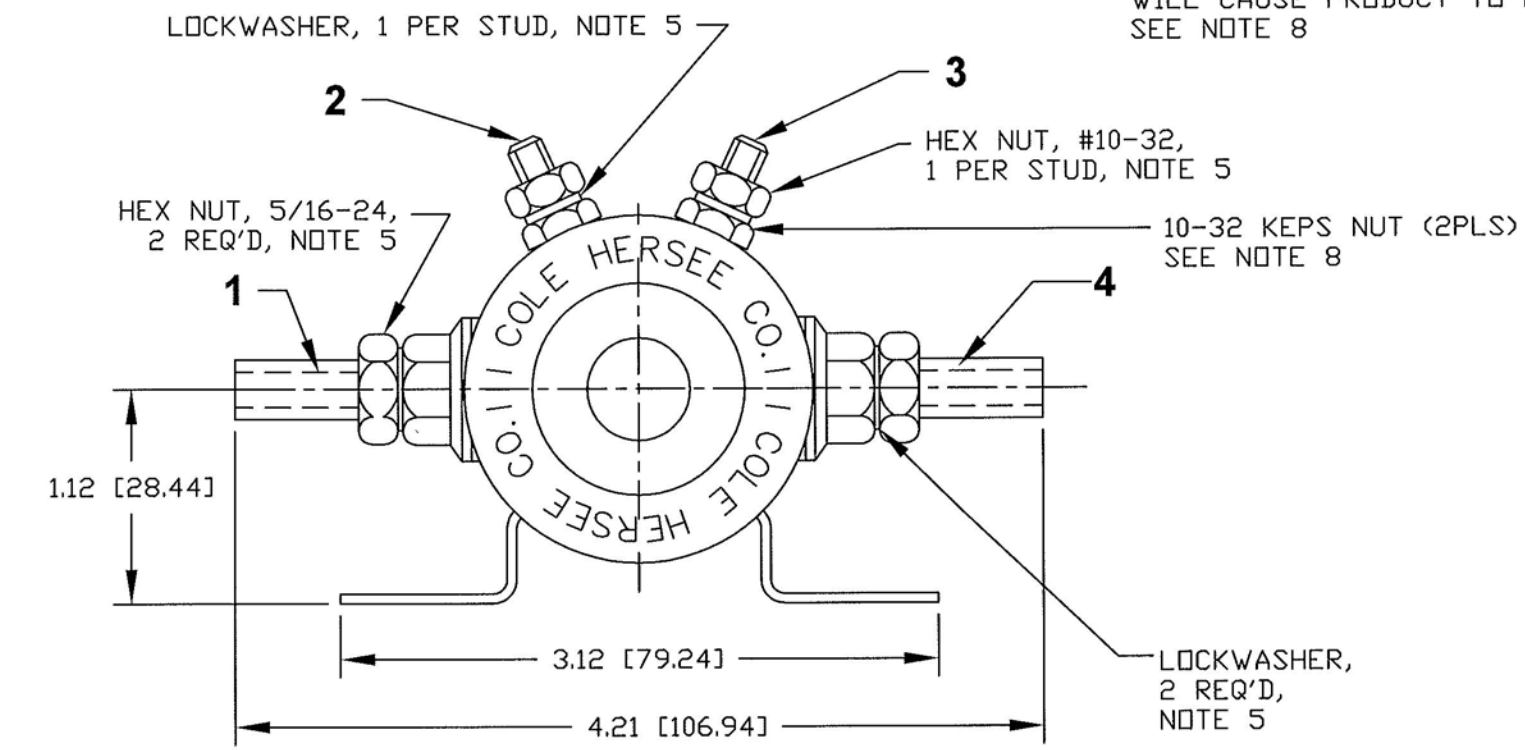
NOTES:

1. ALL STEEL PARTS PLATED.
2. ALL DIMENSIONS ARE REFERENCE ONLY UNLESS OTHERWISE SPECIFIED
3. ELECT. RATING: 200A @ 12Vdc, CONTINUOUS. COIL RESISTANCE: 17.5 OHMS.
4. MAX TORQUE FOR CUSTOMER APPLIED NUTS TO BE: #10-32= 15 IN-LBS (1.69 N.m); 5/16-24= 35 IN-LBS (3.95 N.m)
5. HARDWARE WILL BE BAGGED AND SHIPPED LOOSE.
6. ALL CONTACTS ARE SILVER LAMINATED.
7. PART NUMBER, DATE CODE & VOLTAGE INK STAMPED ON BOTTOM OF SOLENOID.
8. 5/16 AND 10-32 KEPS NUTS MUST NEVER BE REMOVED OR LOOSENED. THEY ARE FACTORY-TORQUED TO PROPER SPECS.

Revision Control Record				Rev.	Description of Change	ECN No.	Date	Tolerances Unless otherwise specifically noted, the following are default tolerances:		PROPRIETARY INFORMATION This Engineering Drawing, and the information contained herein, is proprietary to Cole Hersee Company and may not be disclosed, re-produced, or in any other way transferred or communicated to any other party without the express written consent of an authorized representative of Cole Hersee Company.	Special Characteristics:		Cole Hersee Co. 20 Old Colony Ave., South Boston, MA, 02127 Phn: 617-268-2100 Web: www.colehersee.com			
Rev.	Description of Change	ECN No.	Date				2-places +/- 0.02"	3-places +/- 0.005"	Angular +/- 1'		<input type="checkbox"/> Critical Characteristic, relating to Safety and/or Regulatory Compliance <input checked="" type="checkbox"/> Significant Characteristic relating to Process Control <input type="checkbox"/> Control Dimension relating to Form - Fit - Function as defined by Cole Hersee Company and/or the Customer	Description:				
A	NEW NUMBER RELEASE	11200	6/27/11											SOLENOID, N/O, 12V		
FORM CHT-6 (2/07) Used On or Ref: 24143-03											Scale: 1:1	Drawn BY: G.Auguste		Date Drawn: 6/27/11	Pg. 1 of 1	Drawing / Part No.: 24213-03

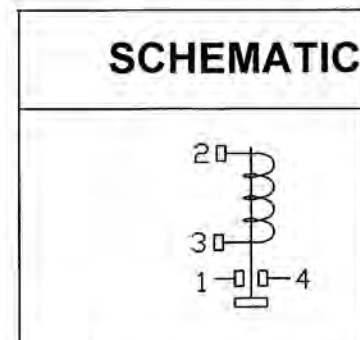
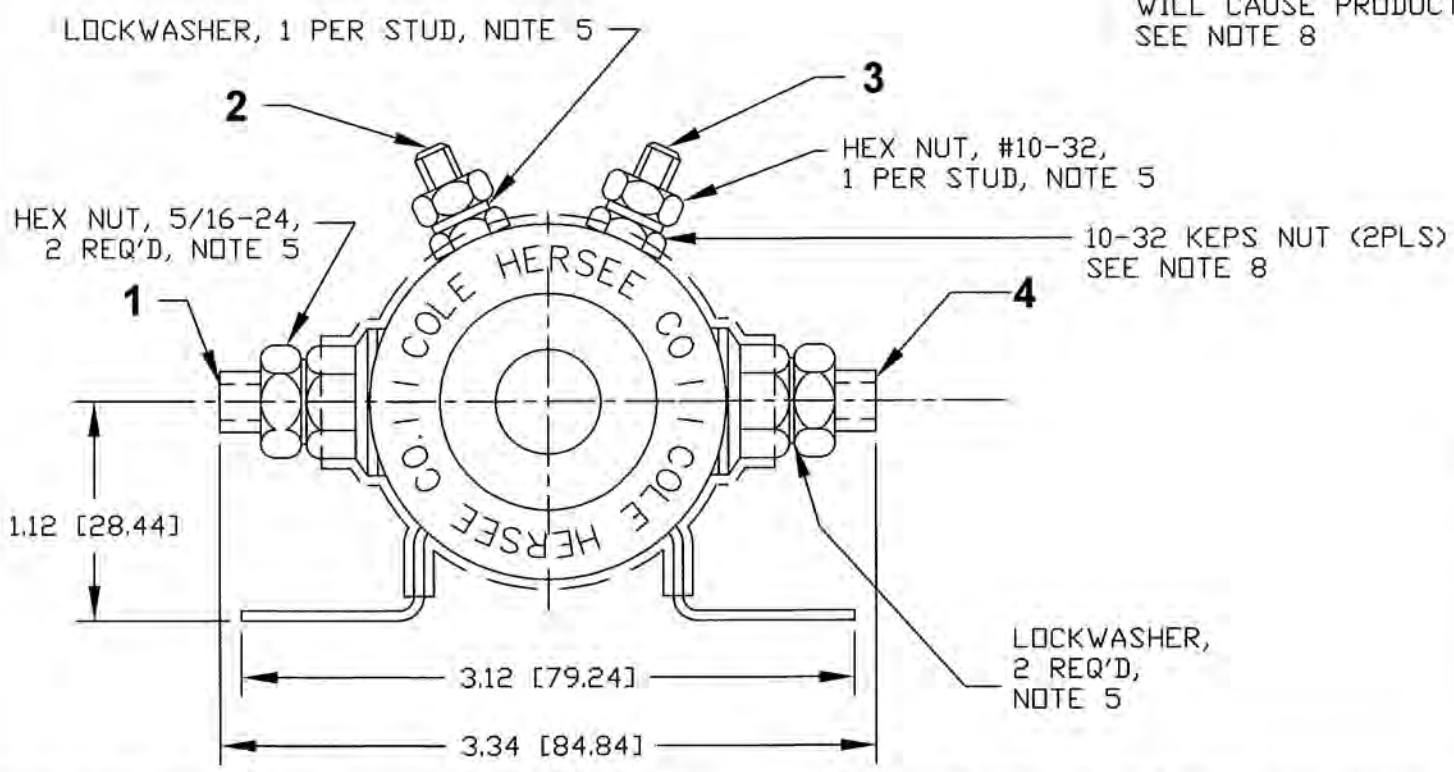
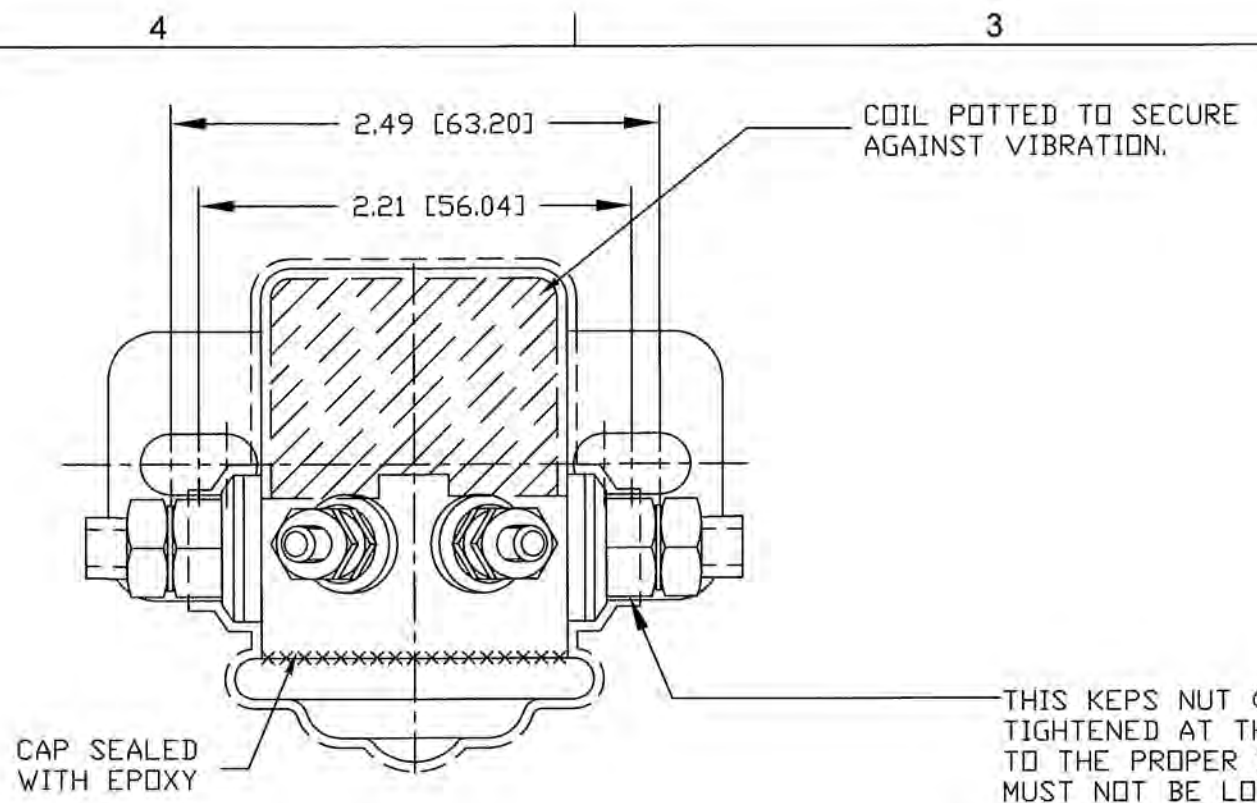


THIS KEPS NUT (2PLS) IS TIGHTENED AT THE FACTORY TO THE PROPER SPECS AND MUST NOT BE LOOSENED OR REMOVED UNDER ANY CIRCUMSTANCES. REMOVING OR LOOSENING THIS NUT WILL CAUSE PRODUCT TO MALFUNCTION. SEE NOTE 8



- NOTES:
1. ALL STEEL PARTS PLATED.
 2. ALL DIMENSIONS ARE REFERENCE ONLY UNLESS OTHERWISE SPECIFIED
 3. ELECT. RATING: 200A @ 12Vdc, CONTINUOUS. COIL RESISTANCE: 17.5 OHMS.
 4. MAX TORQUE FOR CUSTOMER APPLIED NUTS TO BE: #10-32= 15 IN-LBS (1.69 N.m); 5/16-24= 35 IN-LBS (3.95 N.m)
 5. HARDWARE WILL BE BAGGED AND SHIPPED LOOSE.
 6. ALL CONTACTS ARE SILVER LAMINATED.
 7. PART NUMBER, DATE CODE & VOLTAGE INK STAMPED ON BOTTOM OF SOLENOID
 8. 5/16 AND 10-32 KEPS NUTS MUST NEVER BE REMOVED OR LOOSENED. THEY ARE FACTORY-TORQUED TO PROPER SPECS.

Revision Control Record				Rev.	Description of Change	ECN No.	Date	Tolerances Unless otherwise specifically noted, the following are default tolerances: 2-places +/- 0.02" 3-places +/- 0.005" Angular +/- 1'	PROPRIETARY INFORMATION This Engineering Drawing, and the information contained herein, is proprietary to Cole Hersee Company and may not be disclosed, re-produced, or in any other way transferred or communicated to any other party without the express written consent of an authorized representative of Cole Hersee Company.	Special Characteristics:		Cole Hersee Co. 20 Old Colony Ave., South Boston, MA, 02127 Phn: 617-268-2100 Web: www.colehersee.com		
Rev.	Description of Change	ECN No.	Date							CC Critical Characteristic, relating to Safety and/or Regulatory Compliance	SC Significant Characteristic relating to Process Control		Control Dimension relating to Form - Fit - Function as defined by Cole Hersee Company and/or the Customer	Description:
A	NEW NUMBER RELEASE	11200	6/27/11					Metric: Shown in [] refers to equivalent English Dim Tol "REF." or an Asterisk (*) = Non-Toleranced Reference Dimension, shown for clarification purposes only. NOTE: All tolerances are Non-Cumulative.				SOLENOID, N/O, 12V		
								FORM CHT-6 (2/07) Used On or Ref.: 24143-04	Scale: 1:1	Drawn BY: G.Auguste	Date Drawn: 6/27/11	Pg. 1 of 1	Drawing / Part No.: 24213-04	Current Rev. A



NOTES:

1. ALL STEEL PARTS PLATED.
2. ALL DIMENSIONS ARE REFERENCE ONLY UNLESS OTHERWISE SPECIFIED.
3. ELECT. RATING: 200A @ 12Vdc, CONTINUOUS. COIL RESISTANCE: 17.5 OHMS.
4. MAX TORQUE FOR CUSTOMER INSTALLED NUTS TO BE: #10-32 NUTS= 15 IN-LBS (1.69 N.m); 5/16-24 NUTS = 35 IN-LBS (3.95 N.m).
5. HARDWARE WILL BE BAGGED AND SHIPPED LOOSE.
6. ALL CONTACTS ARE COPPER WITH SILVER LAMINATION FOR BEST CONDUCTIVITY.
7. PART NUMBER, DATE CODE & VOLTAGE INK STAMPED ON BOTTOM OF SOLENOID.
8. 5/16 AND 10-32 KEPS NUTS MUST NEVER BE REMOVED OR LOOSENED. THEY ARE FACTORY-TORQUED TO PROPER SPECS.
9. PRIMER TO BE APPLIED ON LOCKNUTS AND BRACKET PRIOR TO COATING FOR PVC ADHESION--NO EXCEPTION.

Revision Control Record				Rev.	Description of Change	ECN No.	Date
Rev.	Description of Change	ECN No.	Date				
A	NEW NUMBER RELEASE	12034	01/27/12				

Tolerances Unless otherwise specifically noted, the following are default tolerances:

2-places +/- 0.02"	3-places +/- 0.005"	Angular +/- 1'
-----------------------	------------------------	-------------------

Metric: Shown in [] refers to equivalent English Dim Tol

"REF." or an Asterisk (*) = Non-Toleranced Reference Dimension, shown for clarification purposes only.

NOTE: All tolerances are Non-Cumulative.

PROPRIETARY INFORMATION
This Engineering Drawing, and the information contained herein, is proprietary to Cole Hersee Company and may not be disclosed, re-produced, or in any other way transferred or communicated to any other party without the express written consent of an authorized representative of Cole Hersee Company.

Special Characteristics:

Critical Characteristic, relating to Safety and/or Regulatory Compliance

Significant Characteristic relating to Process Control

Control Dimension relating to Form - Fit - Function as defined by Cole Hersee Company and/or the Customer

Cole Hersee Co.
20 Old Colony Ave., South Boston, MA, 02127
Phn: 617-268-2100 Web: www.colehersee.com

Description:
SOLENOID, N/O, 12V

Drawing / Part No.: **24213-05**

Current Rev.: **A**

FORM CHT-5 (2/07) Used On or Ref.: Scale: 1:1 Drawn BY: G.Auguste Date Drawn: 1/27/12 Pg. 1 of 1