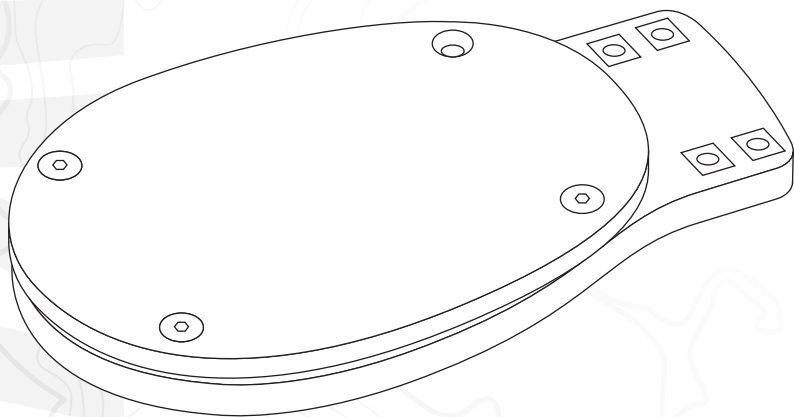


SEAVIEW

ELEVATE YOUR ELECTRONICS



INSTALLATION INSTRUCTIONS

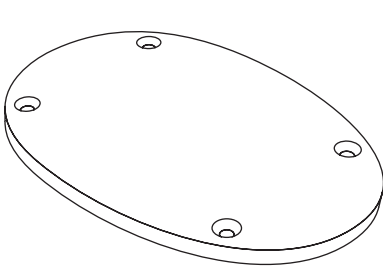
For Seaview Modular Top Plate:

ADA-BLANK

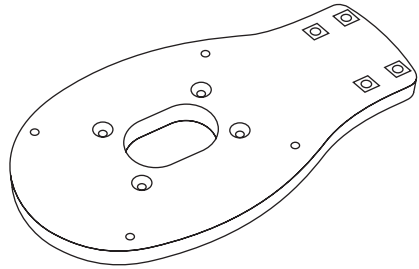
Refer to website for most up to
date instructions and videos.

WWW.SEAVIEWGLOBAL.COM

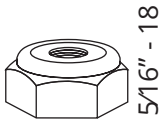
PARTS INCLUDED



x1 AD-AFN-M2BLANK



x1 AD-AFN-M1P



5/16" - 18

x4 51618NUT



5/16" - 1 1/4"

x8 51618114FHCS

TOOLS NEEDED



1

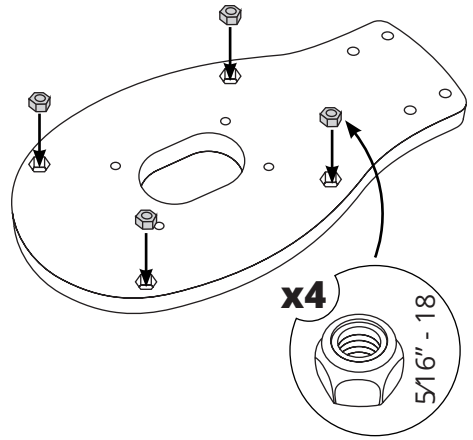


3/16" = 4.763mm

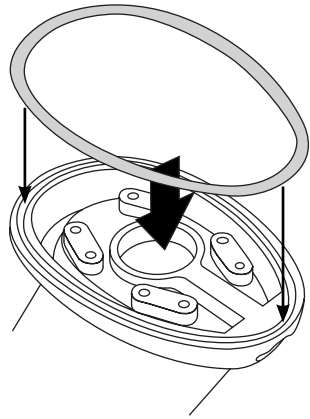


Sudbury Elastomeric Marine Sealant is recommended. To purchase call 800-655-7922 or visit www.seaviewglobal.com

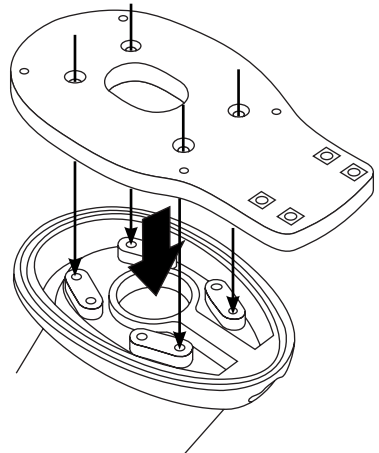
1 Insert the four nuts into the underside of the AD-AFN-M1P plate.



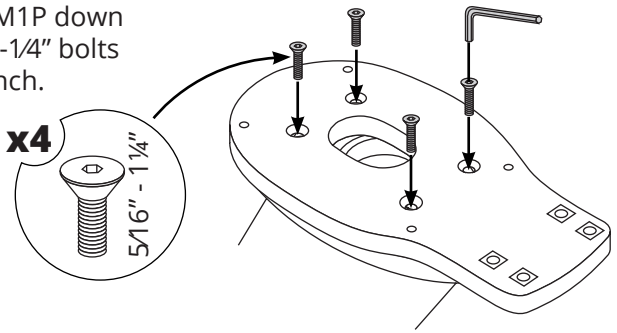
2 Place the rubber gasket into the groove on the top of the Seaview mount. Note, that the rubber gasket is included in the Seaview mount kit.



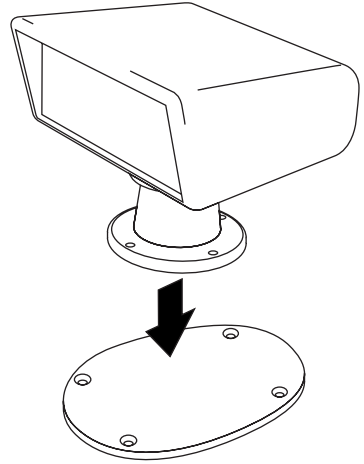
3 Place the AD-AFN-M1P on top of the mount, be sure to line up the four mounting holes.



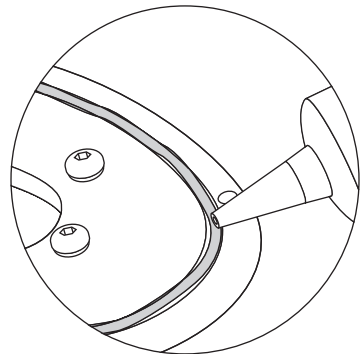
4 Bolt the AD-AFN-M1P down with four 5/16" - 1-1/4" bolts using an allen wrench.



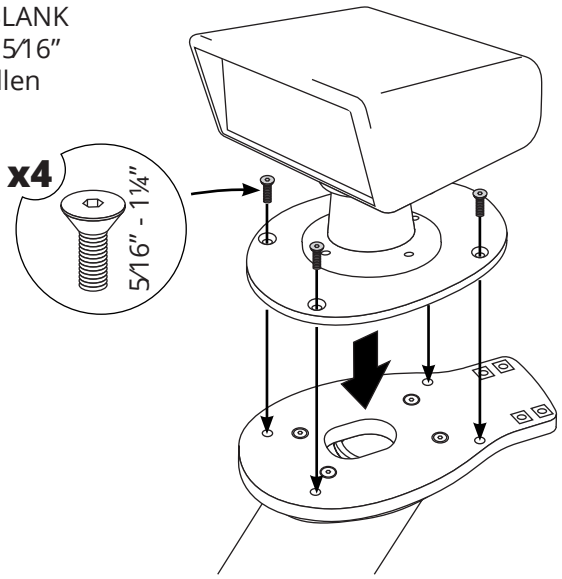
5 Carefully drill and mount your search light to the AD-AFN-M2BLANK plate. Secure the search light using the hardware provided by the manufacturer.



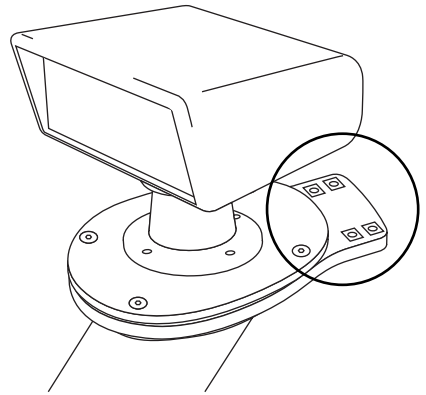
6 Apply marine adhesive sealant to the groove on the underside of the ADA-FN-M2BLANK plate.



7 Bolt the ADA-FN-M2BLANK plate down with four 5/16" - 1 1/4" bolts using a allen wrench.



8 The four holes on the back of the ADA-F2 are for securing the optional Seaview Light Bar to the top plate.



This page is intentionally left blank.

This page is intentionally left blank.

The background of the entire page is a light gray topographic map with white contour lines. The lines are irregular and wavy, representing terrain elevation. The map covers the entire page, with the text elements overlaid on it.

SEAVIEW//
ELEVATE YOUR ELECTRONICS

SEAVIEW//

Tel: 800-655-7922
www.seaviewglobal.com

EUROPEAN OFFICE

Tel: +33 4 94 53 27 70
www.seaviewprogress.com

5-070722