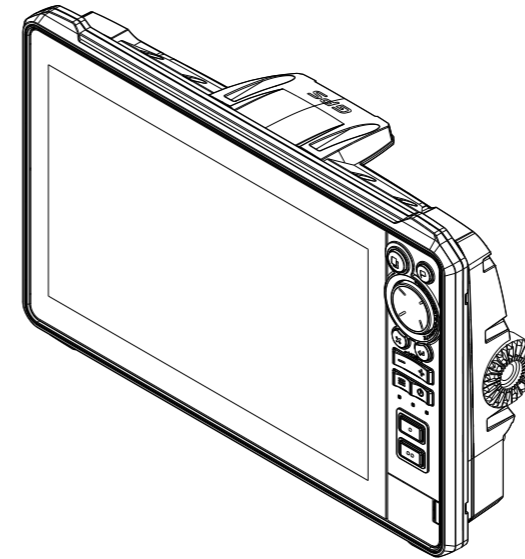


Technical specifications

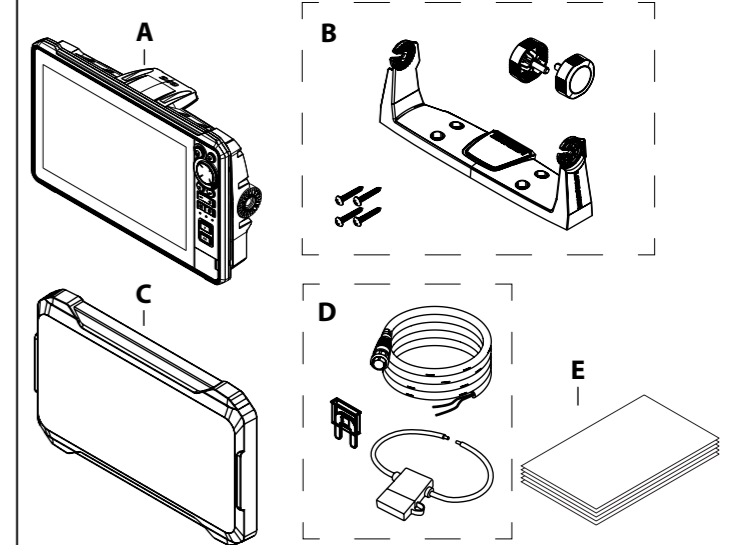
| | 9" | 10" |
|-------------------------------|---|-------------------|
| Display | | |
| Resolution | 1280 x 720 | 1280 x 800 |
| Brightness | >1200 nits | |
| Touch screen | Multitouch | |
| Viewing angles in degrees | 80° top/bottom, 80° left/right | |
| Electrical | | |
| Supply voltage | 12 V DC (10.8 - 18 V DC) | |
| Power consumption (max) | 40 W (2.9 A at 13.8 V DC) | |
| Recommended fuse rating | 3 A | |
| Environmental | | |
| Operating temperature range | -15°C to 55°C (5°F to 131°F) | |
| Storage temperature | -30°C to 70°C (-22°F to 158°F) | |
| Waterproof rating | IPX6 and IPX7 | |
| Shock and vibration | 100,000 cycles of 20 G | |
| Interface/Connectivity | | |
| NMEA 2000® | 1 port (Micro-C connector) | |
| NMEA 0183® | 1 port (via the power connector) | |
| Sonar | 2 ports (9-pin connector) | |
| Analog video | 1 port (via the power cable, adapter cable sold separately) | |
| Ethernet | 100BASE-T, 2 ports (5-pin connector) | |
| Card reader | 2 slots (microSD® SDXC) | |
| Wi-Fi® | Internal 802.11b/g/n | |
| Bluetooth® | Bluetooth® 5.2 with support for Bluetooth® classic | |
| Physical | | |
| Dimensions | Refer to dimensional drawings section in this document | |
| Weight (display only) | 1.39 kg (3.06 lb) | 1.66 kg (3.66 lb) |
| Compass safe distance | 65 cm (2.1 ft) | |
| Mounting type | Panel mount or bracket mount | |

LOWRANCE®

HDS® PRO 9" & 10" Installation Guide

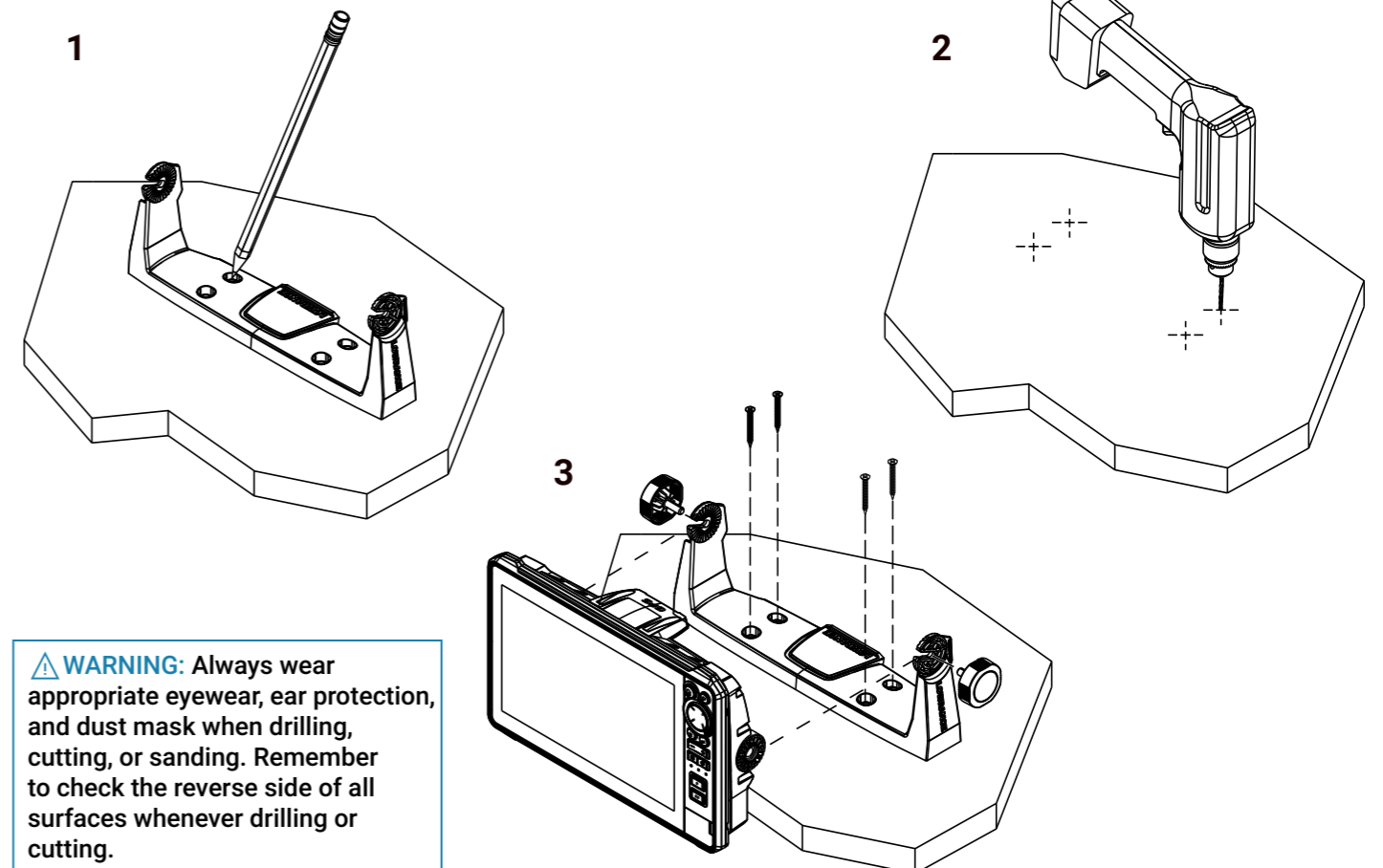


Parts included



- A HDS® Pro 9" or 10" display unit
- B Gimbal bracket kit – plastic (9" unit) or metal (10" unit)
- C Sun cover
- D Power cable kit
- E Documentation pack

Gimbal bracket mounting



⚠ WARNING: Always wear appropriate eyewear, ear protection, and dust mask when drilling, cutting, or sanding. Remember to check the reverse side of all surfaces whenever drilling or cutting.

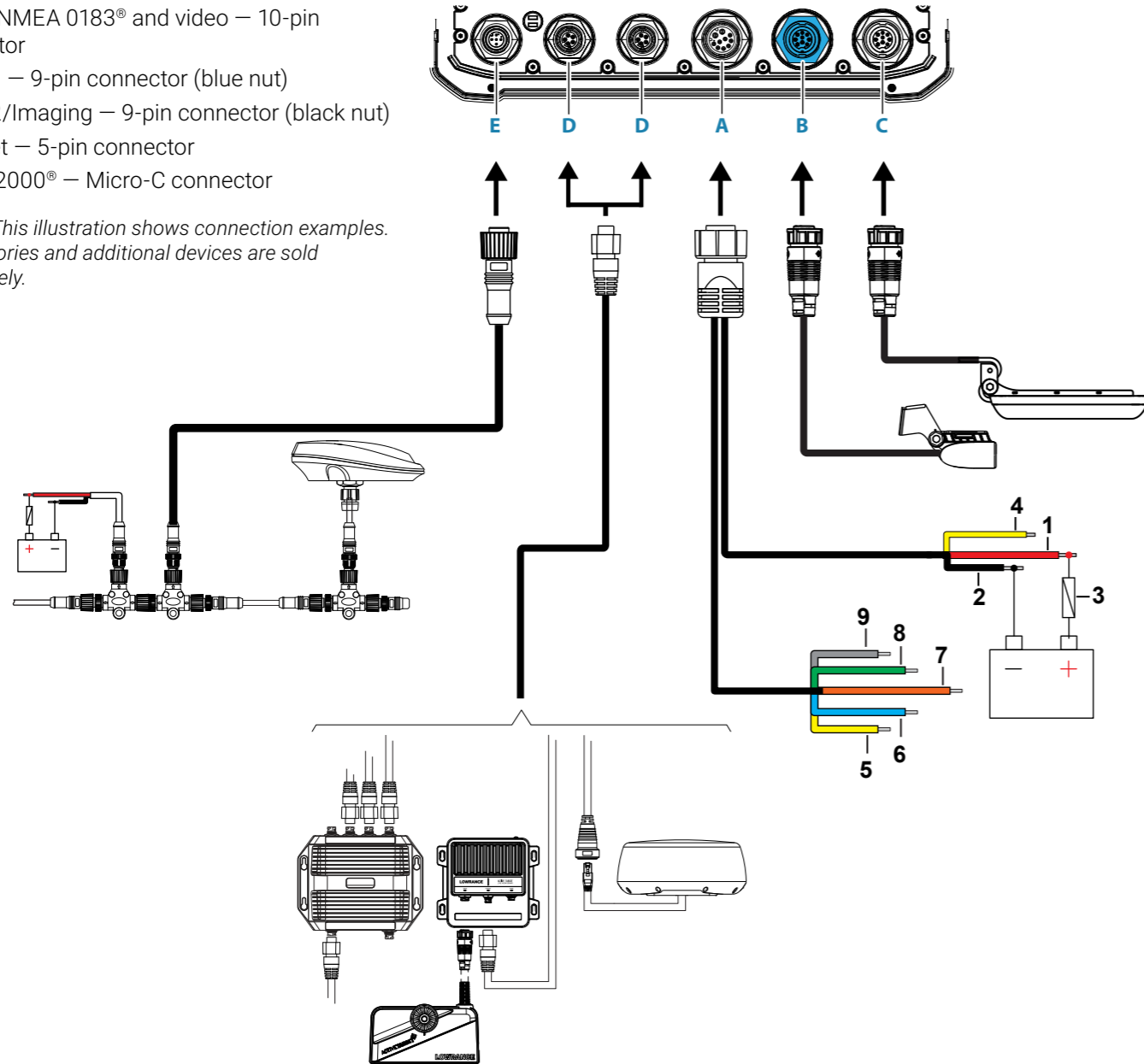


www.lowrance.com

Wiring

- A** Power, NMEA 0183® and video – 10-pin connector
- B** Sonar 1 – 9-pin connector (blue nut)
- C** Sonar 2/Imaging – 9-pin connector (black nut)
- D** Ethernet – 5-pin connector
- E** NMEA 2000® – Micro-C connector

→ **Note:** This illustration shows connection examples. Accessories and additional devices are sold separately.



Power and NMEA 0183® cable (A)

Provide 12 V DC power to the unit with a 3 A fuse or circuit breaker on the positive supply line. It is protected against reverse polarity, under/over voltage (for a limited duration).

| Key | Purpose | Color |
|-----|--------------------------------|--------|
| 1 | +12 V DC | Red |
| 2 | DC negative | Black |
| 3 | Fuse | - |
| 4 | Accessory wake up or ping sync | Yellow |
| 5 | NMEA 0183® Talker A (Tx_A) | Yellow |
| 6 | NMEA 0183® Talker B (Tx_B) | Blue |
| 7 | NMEA 0183® Listener A (Rx_A) | Orange |
| 8 | NMEA 0183® Listener B (Rx_B) | Green |
| 9 | NMEA 0183® Ground (shield) | - |

Sonar 1 - blue nut (B)

Supports the following sonar technologies and frequencies:

- Sonar: Low, Medium, and High CHIRP up to 1 kW.
- DownScan: 455 kHz, 800 kHz
CHIRP: 700 kHz and 1200 kHz

Sonar 2/Imaging - black nut (C)

Supports the following sonar technologies and frequencies:

- Sonar: Low, Medium, and High CHIRP up to 1 kW.
- DownScan: 455 kHz, 800 kHz
CHIRP: 700 kHz and 1200 kHz
- SideScan: 455 kHz, 800 kHz
CHIRP: 455 kHz and 1075 kHz

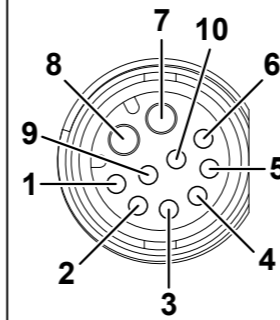
Ethernet (D)

Ethernet is used to connect devices such as radar, displays, and sonar modules such as ActiveTarget®2 or S3100. Connect a device directly to the Ethernet port, or use a network expansion device to connect multiple devices.

NMEA 2000® (E)

The NMEA 2000® port supports data sharing between connected sources and is suitable for a compass, engine computers, and other sensors.

Power, NMEA 0183® and video



Unit socket (female)

| Pin | Purpose |
|-----|-------------------|
| 1 | Accessory wake up |
| 2 | Listener B (Rx_B) |
| 3 | Video in + |
| 4 | Talker B (Tx_B) |
| 5 | Drain |
| 6 | Talker A (Tx_A) |
| 7 | + 12 V DC |
| 8 | DC negative |
| 9 | Video in - |
| 10 | Listener A (Rx_A) |

→ **Note:** To use the video input functionality, an adapter cable has to be used: SKU 000-11010-001 (sold separately).

NMEA 0183®

The unit has a built-in NMEA 0183® serial interface, providing both input and output. The port(s) uses the NMEA 0183® (serial balanced) standard, and can be configured in the software for different baud rates up to 38,400 baud.

Talkers and listeners

Only one talker (output device) can be connected to a serial input (RX) on the unit, in accordance with the NMEA 0183® protocol. However, an output port (TX) on the unit may be connected to up to three listener (receiver) devices, depending on the hardware capabilities of the receiver.

Video input

The unit can be connected to a composite video source, and display video images on its display.

→ Notes:

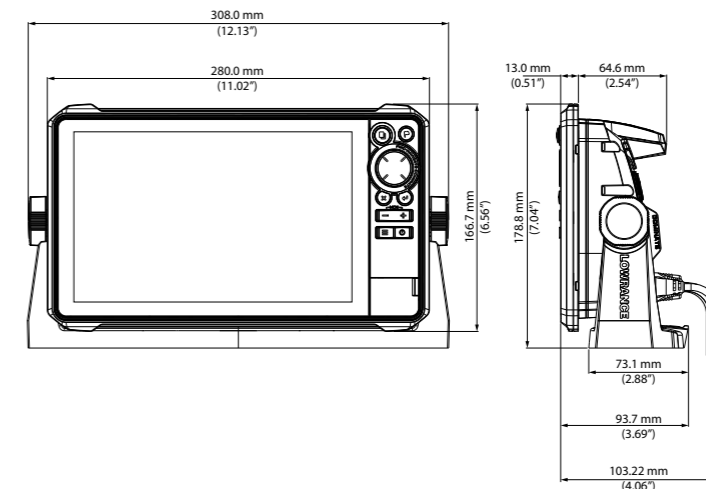
- Camera cables are not supplied, and will need to be selected to suit termination – RCA at the unit, and typically BNC or RCA plug at the camera end.
- The video images will not be shared with another unit via the network. It is only possible to view video on the unit connected to the video source.
- Both NTSC and PAL formats are supported.

Video input configuration

Configurations to video input are made in the video panel. For further details, refer to the operator manual online: www.lowrance.com/downloads/hdspro

Dimensions

9" unit



10" unit

