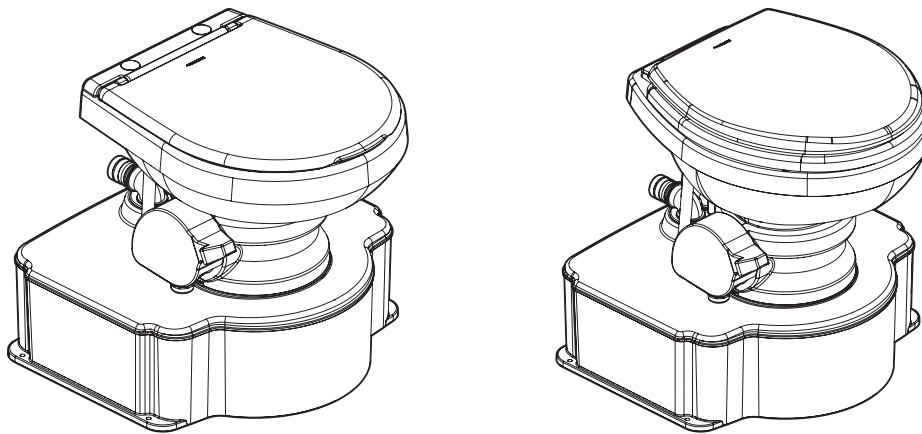


↗ DOMETIC

SANITATION

TOILETS



M65-700, M65-5000

EN	Gravity-discharge Toilet Instruction and Operation 2	IT	Wc con scarico per gravità Istruzioni e funzionamento 42
DE	Toilette mit Schwerkraftentleerung Anleitung und Betrieb 10	FI	Painovoimaan perustuva WC Ohjeet ja käyttö 51
FR	Toilettes avec évacuation par gravité Instructions et utilisation 18	SV	Gravity-avloppstolett Instruktioner och användning 60
ES	Inodoro de descarga por gravedad Instrucciones y funcionamiento 26	DA	Tyngdekraftsudledningstoilet Instruktion og betjening 69
NL	Zwaartekracht-afvoertoilet Instructie en bediening 34	NO	Tyngdekraft-skyllingstolett Instruksjoner og betjening 78

⚠ WARNING
Cancer and Reproductive Harm
www.P65Warnings.ca.gov

Service Center & Dealer Locations

Visit: www.dometic.com

Please read these instructions carefully and follow all instructions, guidelines, and warnings included in this product manual in order to ensure that you install, use, and maintain the product properly at all times. These instructions **MUST** stay with this product.


By using the product, you hereby confirm that you have read all instructions, guidelines, and warnings carefully and that you understand and agree to abide by the terms and conditions as set forth herein. You agree to use this product only for the intended purpose and application and in accordance with the instructions, guidelines, and warnings as set forth in this product manual as well as in accordance with all applicable laws and regulations. A failure to read and follow the instructions and warnings set forth herein may result in an injury to yourself and others, damage to your product, or damage to other property in the vicinity. This product manual, including the instructions, guidelines, and warnings, and related documentation, may be subject to changes and updates. For up-to-date product information, please visit www.dometic.com.

- 1 Explanation of Symbols and Safety Instructions 2**
- 2 Intended Use 3**
- 3 General Information 3**
- 4 Specifications 5**
- 5 Preinstallation 5**
- 6 Installation 5**
- 7 Operation 6**
- 8 Maintenance 7**
- 9 Troubleshooting 8**
- 10 Disposal 9**
- 11 Warranty Information 9**

1 Explanation of Symbols and Safety Instructions


This manual has safety information and instructions to help you eliminate or reduce the risk of accidents and injuries.

1.1 Recognize Safety Information


 **This is the safety alert symbol.** It is used to alert you to potential physical injury hazards. Obey all safety messages that follow this symbol to avoid possible injury or death.

1.2 Understand Signal Words

A signal word will identify safety messages and property damage messages, and also will indicate the degree or level of hazard seriousness.

 **WARNING**
Indicates a hazardous situation that, if **not** avoided, could result in death or serious injury.

NOTICE: Used to address practices **not** related to physical injury.

 Indicates additional information that is not related to physical injury.

1.3 Supplemental Directives

To reduce the risk of accidents and injuries, please observe the following directives before proceeding to install, operate, or service this appliance:

- Read and follow all safety information and instructions.
- Read and understand these instructions before installing, operating, or servicing this product.
- The installation must comply with all applicable local or national codes, including the latest edition of the following standards:

U.S.A.

- ANSI/NFPA1192, Recreational Vehicles Code
- ANSI Z21.57, Recreational Vehicles Code
- American Boat and Yacht Council (ABYC)

Canada

- SA Z240 RV Series, Recreational Vehicles

1.4 General Safety Messages

 **WARNING: FLOOD HAZARD. Failure to obey the following warnings could result in death or serious injury:**

- If the toilet is connected to any thru-hull fittings, **always** close the seacocks when the toilet is not in use (even if boat is unattended for a brief period). All passengers **must** be instructed on how to close the valves when the the toilet is not in use.

- If the toilet is connected to any thru-hull fittings, all flexible hoses **must** be of marine sanitation quality and must be secured to any fittings (such as those at the seacock or toilet) with two stainless steel, worm-drive hose band clamps at each connection. Connections **must** be checked frequently for integrity.
- Ensure that seacocks are in the closed or off position before installing the toilet or performing any maintenance.
- If the toilet uses fresh water for flushing and is connected directly or indirectly to a shoreside municipal water system at any time, shoreside water connections **must** be disconnected if the boat is unattended (even if boat is unattended for a brief period).
- Use only Dometic replacement parts and components that are specifically approved for use with the appliance.
- Avoid improper installation, adjustment, alterations, service, or maintenance of the appliance. Service and maintenance **must** be done by a qualified service person only.
- Do **not** modify this product in any way. Modification can be extremely hazardous.

NOTICE: Do **not** overfill the holding tank, or damage can occur to the sanitation system.

2 Intended Use

The Gravity-discharge Toilet (hereinafter referred to as toilet) is designed and intended for installation in a boat during or after manufacture. This toilet is only suitable for the intended purpose and application in accordance with these instructions.

This manual provides information that is necessary for proper installation and operation of the toilet. Poor installation and/or improper operating or maintenance will result in unsatisfactory performance and a possible failure. The manufacturer accepts no liability for any injury or damage to the product resulting from:

- Incorrect assembly or connection, including excess voltage
- Incorrect maintenance or use of spare parts other than original spare parts provided by the manufacturer
- Alterations to the product without express permission from the manufacturer
- Use for purposes other than those described in this manual

Dometic reserves the right to change product appearance and product specifications.

3 General Information

This section provides general information about the toilet and its components and dimensions.

i The images used in this document are for reference purposes only. Components and component locations may vary according to specific product models. Measurements may vary ± 0.38 in. (10 mm).

3.1 Tools and Materials

Dometic recommends that the following tools and materials be used while installing the appliance.

Included Parts

Gravity-discharge Toilet
Tank Mounting Screws with Washers (4)

Installer-Supplied Parts

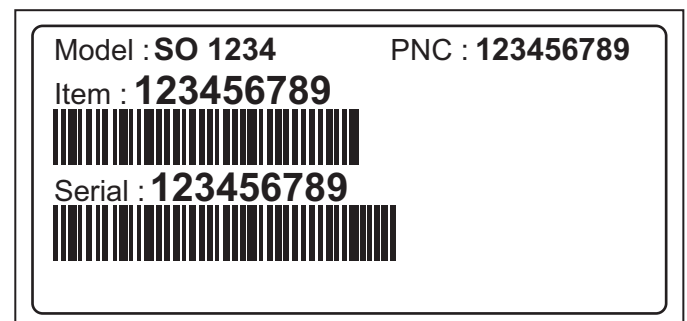
Thru-hull Vent Fitting
Dockside Discharge Fitting
5/8 in. (16 mm) I.D. Marine Sanitation Quality Hose
1.5 in. (38 mm) I.D. Marine Sanitation Quality Hose
Stainless Steel Band Clamps (8)
Water Supply

Recommended Tools

Drill	Pan-head Screwdriver
Drill Bit	Screwdriver for Band Clamps
Marker	Phillips-head Screwdriver

3.2 Model Identification

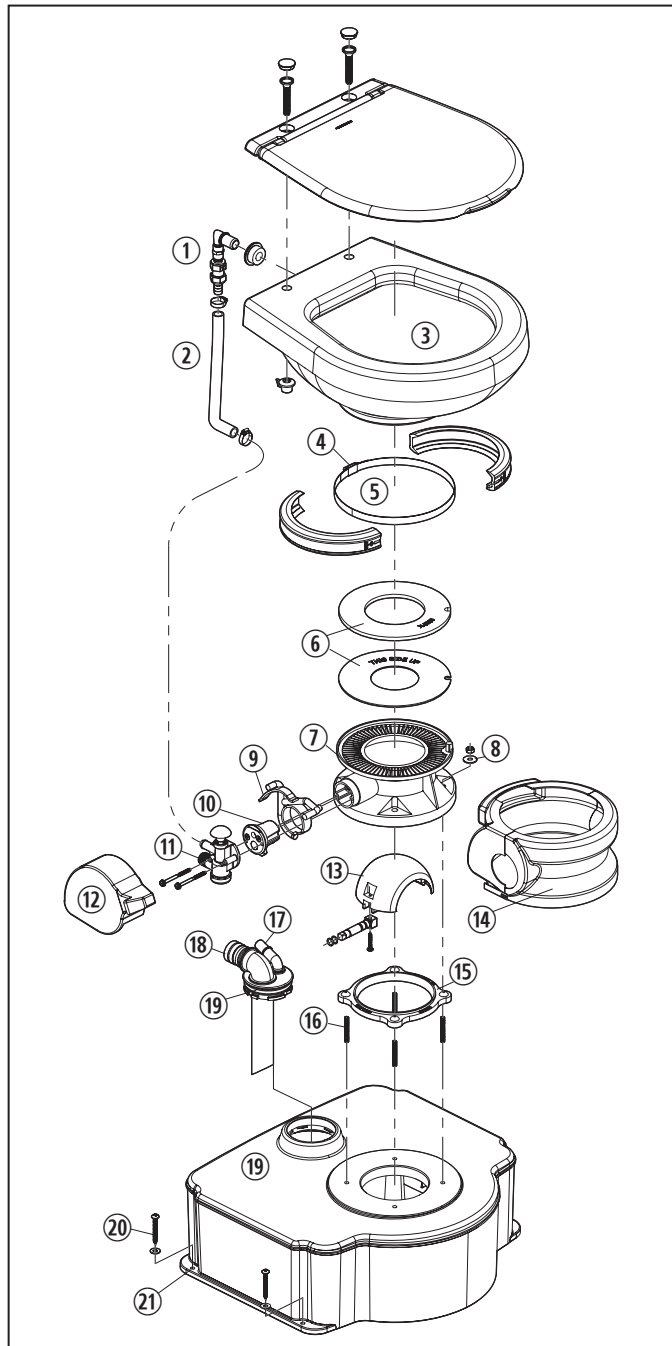
The model identification label is located on the front of the base of the toilet under the pedestal cover. See "Component Locations" on page 4.



1 Model Identification Label

3.3 Component Locations

This section identifies the toilet components. The components may vary slightly depending on the model.

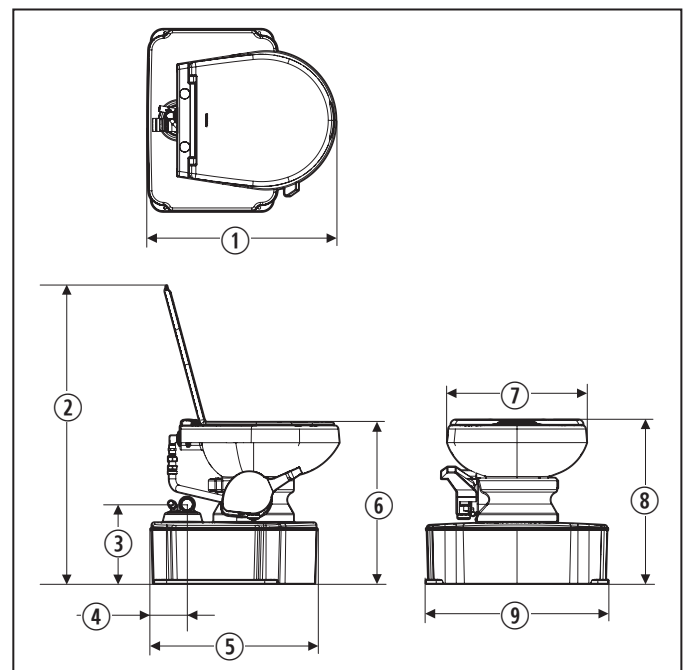


2 M65-700 Components

- ① Check Valve
- ② Supply Hose
- ③ Bowl
- ④ Band Clamp Adjustment Nut
- ⑤ Base to Bowl Band Clamp
- ⑥ Flush Ball Seals
- ⑦ Toilet Base
- ⑧ Toilet Mounting Nuts and Washers
- ⑨ Lever
- ⑩ Spring Cartridge
- ⑪ Water Valve Assembly
- ⑫ Pedal Cover
- ⑬ Flush Ball
- ⑭ Pedestal Cover
- ⑮ Floor Base Seal
- ⑯ Studs
- ⑰ Vent Fitting
- ⑱ Pumpout Fitting
- ⑲ Holding Tank
- ⑳ Tank Mounting Screws and Washers
- ㉑ Tank Mounting Holes

3.4 Toilet Dimensions

The section provides the dimensions for the M65-700 and M65-5000 toilet.



3 Toilet Dimensions

	M65-700	M65-5000
①	19.5 in. (50 cm)	19.8 in. (50 cm)
②	31.0 in. (79 cm)	33.8 in. (86 cm)
③	8.3 in. (21 cm)	8.3 in. (21 cm)

	M65-700	M65-5000
④	3.8 in. (10 cm)	3.8 in. (10 cm)
⑤	17.3 in. (44 cm)	17.3 in. (44 cm)
⑥	17.3 in. (44 cm)	18.8 in. (48 cm)
⑦	14.5 in. (37 cm)	14.8 in. (38 cm)
⑧	17.5 in. (45 cm)	19.8 in. (50 cm)
⑨	18.8 in. (48 cm)	18.8 in. (48 cm)

4 Specifications

This section provides general specifications for the toilet.

Weight M65-700	46 lbs (20.9 kg)
Weight M65-5000	49 lbs (22.2 kg)
Fresh Water Supply Pressure	35–40 psi
Water Inlet Size	0.5 in. (13 mm) NPT
Vent Fitting	5/8 in. (16 mm) O.D.
Pumpout Fitting	1.5 in. (38 mm) O.D.
Holding Tank Capacity	6.5 gal (24.6 L)
Minimum Water Consumption per Flush	0.1 gal (0.5 L)
Average Water Consumption per Flush	0.3 gal (1.0 L)

5 Preinstallation

This section describes the steps to complete prior to installing the toilet.

5.1 Preparing to Install the Toilet

1. Select a position in the bathroom where the toilet can operate properly. Allow room for flushing the pedal and clearance for raising the seat and lid. See "Toilet Dimensions" on page 4.
2. Turn off the water supply to the toilet's location.

5.2 Removing an Existing Toilet

i If there is no existing toilet, skip to "Installation" on page 5.

1. Flush the toilet to drain the water from the bowl.

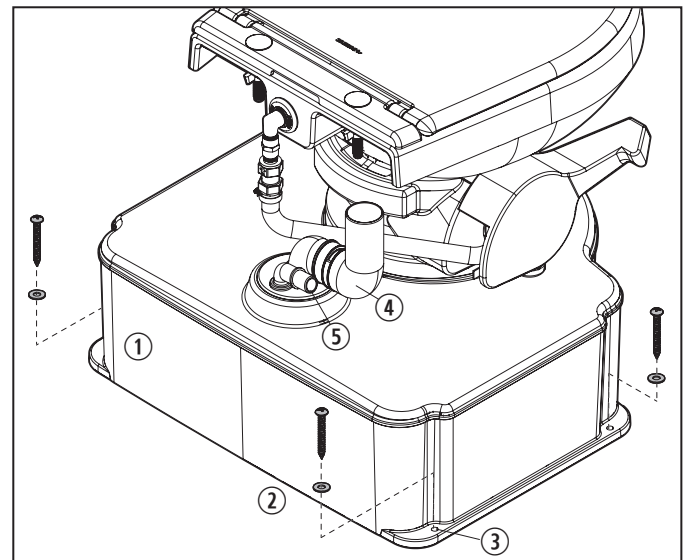
i Have a towel or shallow container ready to collect any residual water.

2. Disconnect and drain the water supply line.
3. Remove the fasteners anchoring the toilet to the floor.
4. Remove the toilet from the floor.
5. Dispose of the toilet, fasteners, and any removal debris.

6 Installation

This section describes how to install the toilet.

6.1 Installing the Holding Tank



4 Positioning the Holding Tank

- | | |
|------------------------------------|-----------------------|
| ① Holding Tank | ③ Tank Mounting Holes |
| ② Tank Mounting Screws and Washers | ④ Pumpout Fitting |
| | ⑤ Vent Fitting |

1. Position the rear of the holding tank 0.8 in. (19 mm) from the wall.
2. Mark the position of the mounting holes on the floor, then remove the holding tank.
3. Drill a pilot hole for each mounting hole.
4. Move the holding tank back into position.
5. Secure the holding tank to the floor with the tank mounting screws and washers.

i Do not over-tighten the screws.

6.2 Installing the Thru-hull Fitting

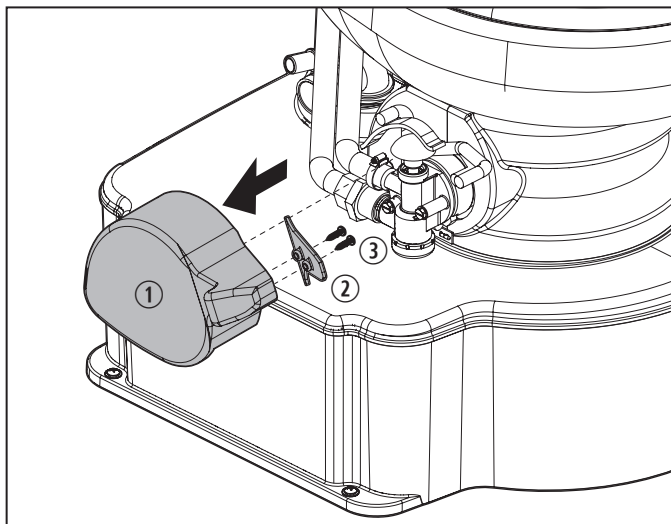
1. Install the thru-hull fitting according to the manufacturer's instructions.
 - i** The thru-hull fitting should be located well above the water line and directly over the toilet.
2. Run a 5/8 in. (16 mm) I.D. marine sanitation quality hose from the thru-hull vent fitting to the vent fitting on the holding tank.
3. Secure the hose to the vent fittings with two stainless steel band clamps at each connection.

6.3 Installing the Dockside Discharge Fitting

NOTICE: The holding tank on the toilet is designed to withstand discharge by a properly operating discharge pump.

1. Install the dockside discharge fitting according to the manufacturer's instructions.
 - i** The dockside discharge fitting should be located in the deck directly above the toilet.
2. Run a 1.5 in. (38 mm) I.D. marine sanitation quality hose from the dockside discharge fitting to the pumpout fitting.
3. Secure the hose to the fittings with two stainless steel band clamps at each connection.

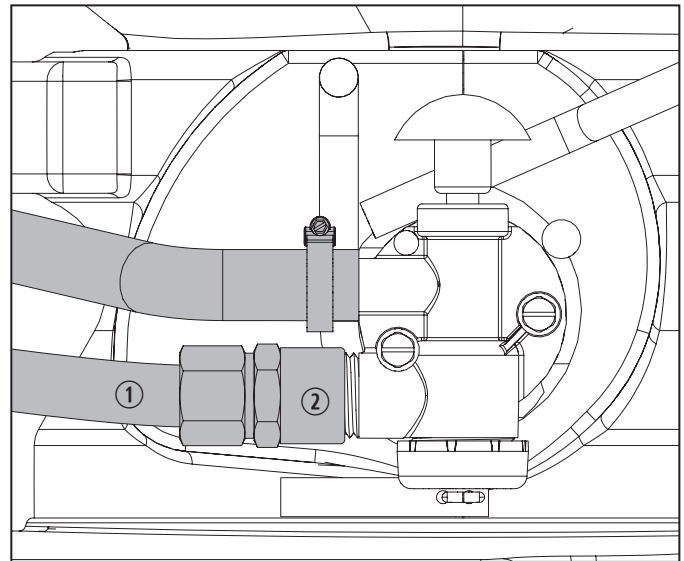
6.4 Connecting the Water Supply



5 Removing the Pedal Cover

- ① Pedal Cover
- ② Back Plate
- ③ Screws

1. Remove the two screws from the rear of the pedal cover.
2. Pull off the pedal cover.



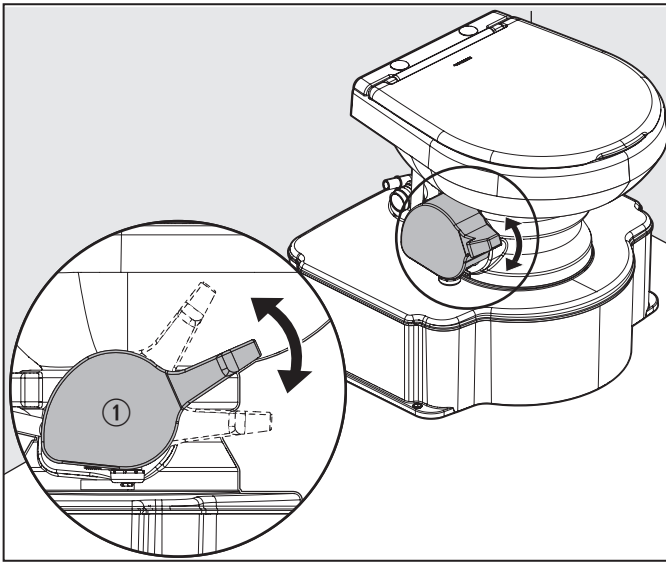
6 Water Supply Connections

- ① Water Supply Line
 - ② Inlet Fitting
3. Attach the water supply line to the inlet fitting.
 4. Turn on the water supply and flush several times to check for leaks.
 5. Replace the pedal cover.
 6. Replace the back plate and secure with the screws.

7 Operation

NOTICE: Only flush water, bodily wastes, and rapid-dissolving toilet tissue. Do **not** dispose of feminine hygiene products or other non-dissolving items in the toilet.

This section describes how to operate the toilet.



7 Using the Pedal

① Pedal

- To add water to the toilet before using, lift the pedal.
- To flush the toilet, push the pedal all the way down until the waste leaves the toilet bowl.

i Water flow pressures vary at different locations, therefore holding the pedal down for 4–8 seconds may be required. Holding the flush pedal down longer than necessary will result in excessive water usage.

- Release the pedal by allowing it to snap back. A small amount of water should remain in the bowl.

8 Maintenance

NOTICE: Do **not** use abrasive cleaners, caustic chemicals or lubricants, or cleaners that contain chlorine, alcohol, or petroleum distillates. These substance may cause damage to the toilet's internal seals.

The maintenance and cleaning instructions provided in this section should be performed at the intervals indicated, or as needed, depending on the use of the toilet.

Failure to properly maintain the toilet may void the warranty and could result in unsafe operation. Preventive maintenance is not covered under the warranty.

8.1 Cleaning the Toilet

The toilet should be cleaned regularly with a mild, non-abrasive cleaner like the Dometic toilet bowl cleaner. If odor is apparent:

- Completely discharge the holding tank.
- Mix 8 oz (237 ml) of liquid biodegradable laundry soap with 5 gal (19 L) of fresh water and flush through the toilet.
 - i** Do not exceed the capacity of your holding tank. See "Specifications" on page 5.
- Discharge the holding tank.
- Add an odor control product in the amount specified for your holding tank capacity after cleaning and every few days during use.

8.2 System Maintenance

Maintenance procedures vary widely and depend on factors such as frequency of use, quality of the flushing water, etc. The chart provides a general guideline for keeping your toilet ready for use at any time.

Maintenance Procedure	Service Interval
Check all clamped hose joints	Monthly
Check the filter screen in the water valve assembly	Annually
Replace the flush ball seal and the flush ball (if required)	Every three years

8.3 Recommended Spare Parts

When operating a boat or other vehicle in remote areas, keep the following spare parts on hand to assure continuous toilet system operation.

- Flush Ball, Shaft, and Spring Cartridge Kit
- Seal Kit
- Water Valve Assembly Kit

8.4 Winterizing the Toilet

At the end of each season, the toilet should be winterized for storage.

- Empty the holding tank.
- Thoroughly flush the system with fresh water.
- Shut off the water supply to the toilet.
 - i** Have a towel or shallow container ready to collect any residual water.
- Disconnect the water supply line and flush the toilet to drain any residual water.
- Empty the holding tank.

9 Troubleshooting

i It is recommended to always wear personal protective equipment, such as gloves, goggles, or safety glasses when servicing any sanitation products.

The following table lists some of the possible issues that might be encountered when the toilet is in use, the possible causes of these issues, and the recommended actions that should be taken to remedy the issues.

Problem	Possible Cause	Recommended Solution
The water does not stay in the bowl.	The base to bowl band clamp is loose.	Tighten the band clamp adjustment nut.
	There is an improper seal around the flush ball due to dirt or debris on the underside of the flush ball seal.	1. Inspect the flush ball and the underside of the flush ball seal for dirt or debris. 2. Clean if necessary.
	The flush ball seal is worn or damaged.	1. Inspect the flush ball seal for wear or damage. 2. Replace the flush ball seal if necessary.
	Worn or damaged flush ball	1. Inspect the flush ball for wear or damage. 2. Replace the flush ball if necessary.
The flush ball does not close completely.	The base to bowl band clamp is over-tightened and causing too much tension on the flush seal and flush ball.	Loosen the band clamp adjustment nut.
	The spring cartridge is weak or defective.	1. Press the pedal then quickly let go. 2. If the pedal does not snap back, replace the spring cartridge.
The water does not shut off in the toilet.	Dirt is lodged in the water valve seal ¹	Disassemble and clean the water valve.
	The lever is bent down, holding the water valve open.	Bend the front of the lever up approximately 0.1 in. (2 mm).
	The water valve is worn or defective.	Replace the water valve assembly.
	The spring cartridge is weak or defective.	1. Press the pedal then quickly let go. 2. If the pedal does not snap back, replace the spring cartridge.
Water does not enter the bowl properly	Low water pressure	Check the incoming water pressure. See "Specifications" on page 5.
	Clogged water valve	Remove and clean the filter screen. ¹
Water leaking from the water valve	Loose connection	Tighten the bottom cap, inlet fitting ¹ , and discharge hose band clamp.
	Worn or defective water valve	Replace the water valve assembly.
	Water line connection is not seated properly	1. Ensure that the threads on the inlet fitting are not cross-threaded. 2. Tighten the connection.
	Stripped threads on the inlet fitting	Replace the water valve assembly.
	Water valve seal ¹ is worn or missing	
	Water valve body is cracked	
Water is leaking from the rear of the bowl	Loose water supply hose connection	Tighten the water supply hose connections.
	Loose check valve assembly	Tighten the check valve-to-bowl connection.
	Worn or defective check valve	Replace the check valve assembly.
	Cracked or defective bowl	Replace the bowl.

¹ Part of the water valve assembly

10 Disposal



Place the packaging material in the appropriate recycling waste bins, whenever possible. Consult a local recycling center or specialist dealer for details about how to dispose of the product in accordance with all applicable national and local regulations.

11 Warranty Information

Refer to the sections below for information about warranty and warranty support in the US, Canada, Australia, New Zealand, and all other regions.

11.1 United States and Canada

LIMITED TWO-YEAR WARRANTY AVAILABLE AT DOMETIC.COM/EN-US/TERMS-AND-CONDITIONS-CONSUMER/WARRANTY.

IF YOU HAVE QUESTIONS, OR TO OBTAIN A COPY OF THE LIMITED WARRANTY FREE OF CHARGE, CONTACT:

DOMETIC CORPORATION
CUSTOMER SERVICE
13128 STATE ROUTE 226
BIG PRAIRIE, OH USA 44611
1-800-321-9886
011-330-439-5550

11.2 Asia-Pacific (APAC) Countries

If the product does not work as it should, please contact your retailer or the manufacturer's branch in your country (see the back of this instruction manual for the web addresses to locate your region or retailer). The warranty applicable to your product is two years.

For repair and warranty processing, please include the following documents when you send in the device:

- A copy of the receipt with purchasing date
- A reason for the claim or description of the fault

11.2.1 Australia Only

Our goods come with guarantees that cannot be excluded under the Australian Consumer Law. You are entitled to a replacement or refund for a major failure and for compensation for any other reasonably foreseeable loss or damage. You are also entitled to have the goods repaired or replaced if the goods fail to be of acceptable quality and the failure does not amount to a major failure.

11.2.2 New Zealand Only

This warranty policy is subject to the conditions and guarantees which are mandatory as implied by the Consumer Guarantees Act 1993(NZ).

11.3 All Other Regions

The statutory warranty period applies. If the product is defective, please contact the manufacturer's branch in your region or your retailer (see the back of this instruction manual for the web addresses to locate your region or retailer).

For repair and guarantee processing, please include the following documents when you send in the device:

- A copy of the receipt with purchasing date
- A reason for the claim or description of the fault

Kundendienstzentrale und Vertragshändler

Mehr Informationen: www.dometic.com

Bitte lesen und befolgen Sie alle Anweisungen, Richtlinien und Warnhinweise in diesem Produkthandbuch, um sicherzustellen, dass Sie das Produkt ordnungsgemäß installieren und stets ordnungsgemäß betreiben und warten. Diese Anleitung MUSS beim Produkt verbleiben.

Durch die Verwendung des Produkts bestätigen Sie hiermit, dass Sie alle Anweisungen, Richtlinien und Warnhinweise sorgfältig gelesen haben und dass Sie die darin enthaltenen Bestimmungen verstanden haben und ihnen zustimmen. Sie erklären sich damit einverstanden, dieses Produkt nur für den angegebenen Verwendungszweck und gemäß den Anweisungen, Richtlinien und Warnhinweisen dieses Produkthandbuchs sowie gemäß allen geltenden Gesetzen und Vorschriften zu verwenden. Eine Nichtbeachtung der hierin enthaltenen Anweisungen und Warnhinweise kann zu einer Verletzung Ihrer selbst und anderer Personen, zu Schäden an Ihrem Produkt oder zu anderen Sachschäden in der Umgebung führen. Dieses Produkthandbuch, einschließlich der Anweisungen, Richtlinien und Warnhinweise, sowie die zugehörige Dokumentation können Änderungen und Aktualisierungen unterliegen. Aktuelle Produktinformationen finden Sie unter www.dometic.com.

- 1 Erklärung der Symbole und Sicherheitshinweise 10**
- 2 Bestimmungsgemäßer Gebrauch 11**
- 3 Allgemeine Informationen 11**
- 4 Technische Merkmale 13**
- 5 Vormontage 13**
- 6 Montage 13**
- 7 Betrieb 15**
- 8 Wartung 15**
- 9 Entsorgung 16**
- 10 Garantiehinweise 16**
- 11 Fehlersuche und Fehlerbehebung 17**

1 Erklärung der Symbole und Sicherheitshinweise

Dieses Handbuch enthält Sicherheitshinweise und Anleitungen, die Ihnen helfen sollen, Unfälle und Verletzungen zu vermeiden oder das Risiko ihres Auftretens zu verringern.

1.1 Sicherheitsinformationen erkennen

⚠ Dies ist das Sicherheitswarnsymbol. Es dient dazu, Sie auf mögliche Verletzungsgefahren aufmerksam zu machen. Beachten Sie alle auf dieses Symbol folgenden Sicherheitshinweise, um mögliche schwere oder tödliche Verletzungen zu vermeiden.

1.2 Signalwörter verstehen

Ein Signalwort kennzeichnet Sicherheits- und Sachschadenshinweise und gibt den Grad bzw. das Ausmaß der Gefährdung an.

⚠ WARNUNG

Kennzeichnet eine Gefahrensituation, die zu schweren oder tödlichen Verletzungen führen könnte, wenn die jeweiligen Anweisungen **nicht** befolgt werden.

HINWEIS: Wird verwendet, um Praktiken **ohne** einen Bezug zu Verletzungen zu beschreiben.

i Zeigt zusätzliche Informationen ohne einen Bezug zu Verletzungen an.

1.3 Ergänzende Anweisungen

Um das Risiko von Unfällen und Verletzungen zu verringern, beachten Sie bitte die folgenden Richtlinien, bevor Sie mit der Montage, dem Betrieb oder der Wartung dieses Geräts beginnen:

- Bitte lesen und befolgen Sie alle Sicherheitsinformationen und -anweisungen.
- Bitte lesen Sie diese Anweisungen und machen Sie sich mit ihnen vertraut, bevor Sie dieses Produkt installieren, betreiben oder warten.
- Die Installation muss alle geltenden lokalen oder nationalen Vorschriften einhalten.

1.4 Allgemeine Sicherheitshinweise

⚠ WARNUNG: ÜBERSCHWEMMUNGSGEFAHR. Ein Nichtbeachten dieser Warnungen kann zu schweren oder tödlichen Verletzungen führen:

- Wenn die Toilette über irgendwelche Borddurchlässe angeschlossen ist, müssen die Seeventile bei nicht benutzter Toilette **immer** geschlossen sein (auch dann, wenn das Boot kurzzeitig unbeaufsichtigt ist). Alle Passagiere **müssen** darüber informiert werden, wie die Ventile bei nicht benutzter Toilette geschlossen werden.
- Wenn die Toilette an irgendwelchen Borddurchlässen angeschlossen ist, **müssen alle** biegsamen Schläuche von Schiffs-Sanitärqualität sein und sie müssen an allen Anschlussstücken (z. B. an Seeventilen, Entlüftungsschleifen oder Toiletten) mit zwei Schlauchklemmen aus Edelstahl

und mit Schneckenantrieb befestigt werden. Die Anschlüsse **müssen** häufig auf ihre Unversehrtheit überprüft werden.

- Vergewissern Sie sich, dass die Seeventile geschlossen oder in Aus-Stellung sind, bevor Sie die Toilette montieren oder Wartungsarbeiten durchführen.
- Wenn die Toilette mit Frischwasser gespült wird und uferseitig zu irgendeinem Zeitpunkt direkt oder indirekt an ein städtisches Wassersystem angeschlossen ist, **müssen** die uferseitigen Wasseranschlüsse getrennt werden, wenn das Boot (auch nur kurzzeitig) unbeaufsichtigt ist.
- Verwenden Sie nur Dometic-Ersatzteile und Komponenten, die speziell für die Verwendung mit dem Gerät zugelassen sind.
- Vermeiden Sie eine unsachgemäße Montage, fehlerhafte Einstellungen und Anpassungen und eine unsachgemäße Instandhaltung oder Wartung des Geräts. Instandhaltung und Wartung **dürfen** nur von qualifiziertem Personal durchgeführt werden.
- Nehmen Sie **keine** Umbauten an dem Produkt vor. Umbauten können extrem gefährlich sein.

HINWEIS: Den Fäkalientank **nicht** überfüllen; andernfalls kann es zu schweren Schäden an der Sanitäranlage kommen.

2 Bestimmungsgemäßer Gebrauch

Die Toilette mit Schwerkraftentleerung (nachstehend „Toilette“ genannt) ist für den Einbau in ein Boot während oder nach der Herstellung konzipiert und bestimmt. Diese Toilette ist nur für den angegebenen Verwendungszweck und die Anwendung gemäß dieser Anleitung geeignet.

Dieses Handbuch enthält Informationen, die für die ordnungsgemäße Montage und den ordnungsgemäßen Betrieb des Produkts erforderlich sind. Montagefehler und/oder ein nicht ordnungsgemäßer Betrieb oder eine nicht sachgemäße Wartung haben eine unzureichende Leistung und u. U. einen Ausfall des Geräts zur Folge. Der Hersteller übernimmt keine Haftung für Verletzungen oder Schäden am Produkt, die durch Folgendes entstehen:

- Unsachgemäße Montage oder falschen Anschluss, einschließlich Überspannung
- Unsachgemäße Wartung oder Verwendung von anderen als den vom Hersteller gelieferten Original-Ersatzteilen
- Veränderungen am Produkt ohne ausdrückliche Genehmigung des Herstellers
- Verwendung für andere als die in der Anleitung beschriebenen Zwecke

Dometic behält sich das Recht vor, das Erscheinungsbild des Produkts und dessen technische Daten zu ändern.

3 Allgemeine Informationen

Dieser Abschnitt enthält Informationen zur Toilette, ihren Komponenten und Abmessungen.

i Die hier verwendeten Bilder dienen nur als Referenz. Die einzelnen Komponenten und ihre Anordnung können je nach Produktmodell abweichen. Die Abmessungen können um 10 mm abweichen.

3.1 Werkzeuge und Materialien

Bei der Montage des Geräts empfiehlt Dometic, die folgenden Werkzeuge und Geräte zu verwenden.

Gelieferte Teile

Toilette mit Schwerkraftentleerung
Tankbefestigungsschrauben mit Unterlegscheiben (4)

Vom Monteur bereitgestellte Bauteile

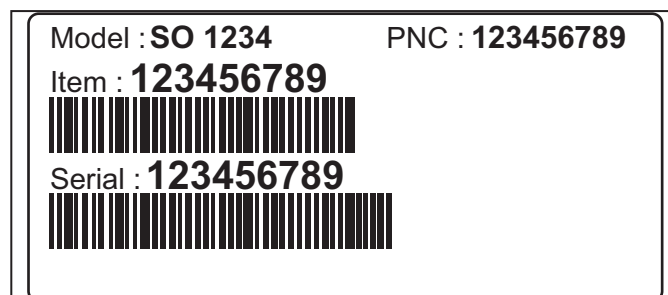
Borrdurchlass-Lüfter-Stutzen
Landseitiger Auslassanschluss
5/8" (16 mm) ID Schlauch in Schiffs-Sanitärqualität
1,5" (38 mm) ID Schlauch in Schiffs-Sanitärqualität
Bandklemme aus Edelstahl (8)
Wasserversorgung

Empfohlene Werkzeuge

Bohrmaschine	Schlitzschraubendreher
Bohraufsatz	Schraubendreher für Bandklemmen
Marker	Kreuzschlitzschraubendreher

3.2 Typenschild

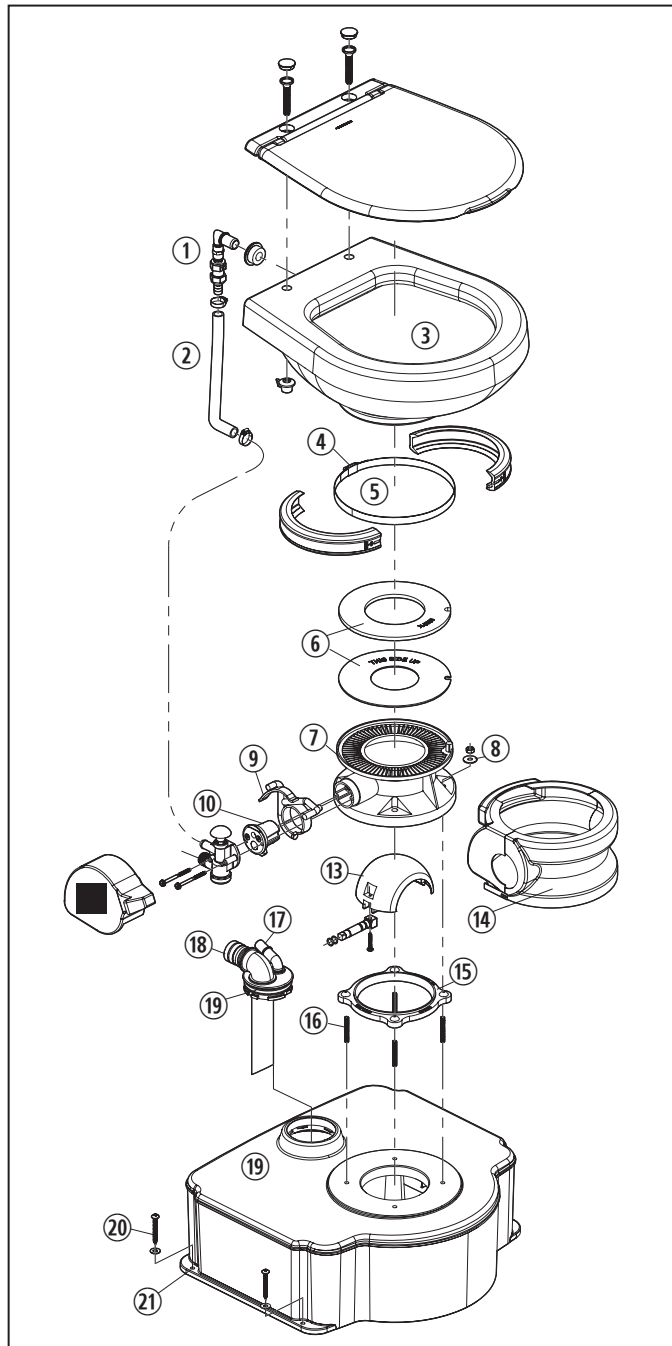
Das Typenschild befindet sich auf der Vorderseite des Sockels der Toilette unter der Abdeckung des Sockels. Siehe „Lage der Komponenten“ auf Seite 12.



1 Typenschild

3.3 Lage der Komponenten

Dieser Abschnitt listet die Toilettenkomponenten auf. Diese Komponenten können je nach Modell leicht abweichen.

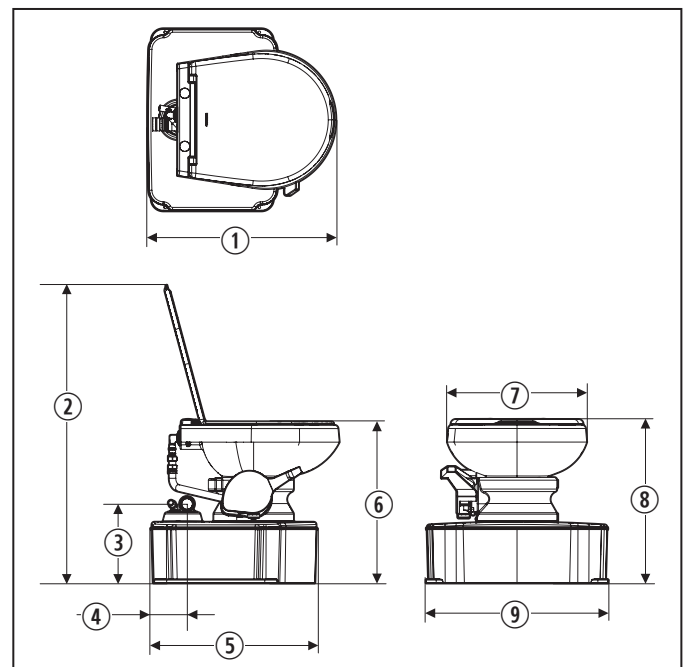


2 M65-700-Komponenten

- ① Rückschlagventil
- ② Versorgungsschlauch
- ③ Schüssel
- ④ Bandklemmenjustierungsmutter
- ⑤ Bandklemme zwischen Sockel und Schüssel
- ⑥ Spülkugeldichtung
- ⑦ Toilettensockel
- ⑧ Muttern und Unterlegscheiben für die Toilettenmontage
- ⑨ Hebel
- ⑩ Federpatrone
- ⑪ Wasserventil-Baugruppe
- ⑫ Pedalabdeckung
- ⑬ Spülkugel
- ⑭ Sockelabdeckung
- ⑮ Dichtung Bodensockel
- ⑯ Nieten
- ⑰ Belüftungsarmatur
- ⑱ Abpumpstutzen
- ⑲ Fäkalientank
- ⑳ Schrauben und Muttern für die Tankmontage
- ㉑ Löcher für die Tankmontage

3.4 Abmessungen der Toilette

Dieser Abschnitt enthält die Abmessungen der Toiletten M65-700 und M65-5000.



3 Abmessungen der Toilette

	M65-700	M65-5000
①	19,5" (50 cm)	19,8" (50 cm)
②	31,0" (79 cm)	33,8" (86 cm)

	M65-700	M65-5000
③	8,3" (21 cm)	8,3" (21 cm)
④	3,8" (10 cm)	3,8" (10 cm)
⑤	17,3" (44 cm)	17,3" (44 cm)
⑥	17,3" (44 cm)	18,8" (48 cm)
⑦	14,5" (37 cm)	14,8" (38 cm)
⑧	17,5" (45 cm)	19,8" (50 cm)
⑨	18,8" (48 cm)	18,8" (48 cm)

4 Technische Merkmale

Dieser Abschnitt enthält allgemeine technische Daten der Toilette.

Gewicht M65-700	46 lbs (0,45 kg)
Gewicht M65-5000	49 lbs (22,2 kg)
Frischwasserbetriebsdruck	35-40 psi
Größe Wassereinlass	0,5" (13 mm) NPT
Lüftungsstutzen	5/8" (16 mm) AD
Abpumpstutzen	1,5" (38 mm) AD
Füllmenge Fäkalientank	6,5 gal (24,6 l)
Minimaler Wasserverbrauch pro Spülung	0,1 gal (0,5 l)
Durchschnittlicher Wasserverbrauch pro Spülung	0,3 gal (1,0 l)

5 Vormontage

Dieser Abschnitt beschreibt die Arbeitsschritte, die vor der Toilettenmontage auszuführen sind.

5.1 Toilettenmontage vorbereiten

1. Wählen Sie eine Stelle im Badezimmer, an der die Toilette voraussichtlich einwandfrei funktionieren kann. Lassen Sie Platz zum Betätigen des Pedals und zum Anheben des Sitzes und des Deckels. Siehe „Abmessungen der Toilette“ auf Seite 12.
2. Stellen Sie die Wasserversorgung zum Standort der Toilette ab.

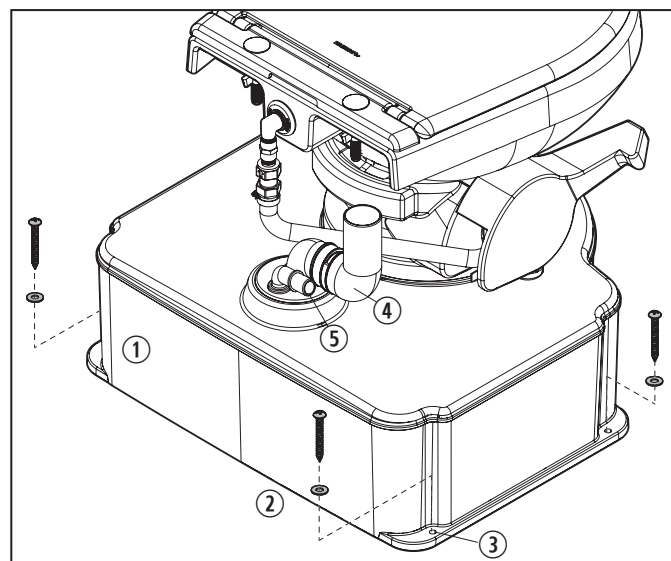
5.2 Entfernen Sie eine evtl. vorhandene Toilette.

- i** Wenn keine Toilette vorhanden ist, fahren Sie fort mit „Montage“ auf Seite 13.
1. Betätigen Sie die Toilettenspülung, um das Wasser aus der Schüssel abzulassen.
 - i** Halten Sie ein Handtuch oder einen flachen Behälter bereit, um evtl. Restwasser aufzufangen.
 2. Trennen und entleeren Sie die Wasserzuleitung.
 3. Entfernen Sie die Befestigungselemente, mit denen die Toilette im Boden verankert ist.
 4. Entfernen Sie die Toilette vom Boden.
 5. Entsorgen Sie die Toilette, die Befestigungsmittel und alle Abfälle, die beim Entfernen anfallen.

6 Montage

Dieser Abschnitt beschreibt die Montage der Toilette.

6.1 Fäkalientank montieren



4 Fäkalientank positionieren

- | | |
|---|------------------------------|
| ① Fäkalientank | ③ Löcher für die Tankmontage |
| ② Schrauben und Muttern für die Tankmontage | ④ Abpumpstutzen |
| | ⑤ Lüfterstutzen |
1. Fäkalientank -Rückseite in einem Abstand von 0,8" (19 mm) von der Wand positionieren.
 2. Position der Montagelöcher auf dem Boden markieren, dann den Fäkalientank entfernen.
 3. Machen Sie für jedes Montageloch eine Vorbohrung.

4. Bringen Sie den Fäkalientank in Position.
5. Fäkalientank mit den Tank-Montageschrauben und Unterlegscheiben am Boden befestigen.

i Schrauben nicht zu fest anziehen.

6.2 Borddurchlass-Stutzen montieren

1. Montieren Sie den Borddurchlass-Stutzen wie vom Hersteller beschrieben.

i Der Borddurchlass-Stutzen muss deutlich über der Wasserlinie direkt über der Toilette liegen.

2. Einen Schlauch in Schiffs-Sanitärqualität mit einem Innendurchmesser von 5/8" (16 mm) vom Borddurchlass-Entlüftungsstutzen zum Entlüftungsanschluss am Fäkalientank führen.
3. Sichern Sie den Schlauch an den Entlüftungsanschlüssen mit zwei Edelstahlbandklemmen an jedem Anschluss.

6.3 Landseitigen Austrittsstutzen montieren

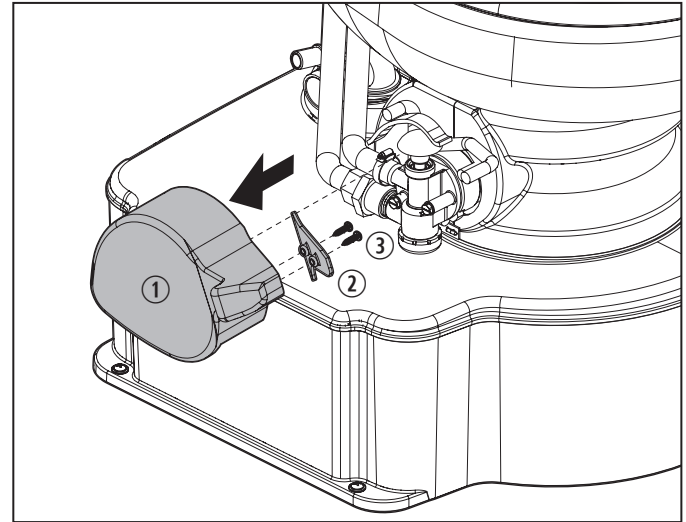
HINWEIS: Der Fäkalientank der Toilette ist so konstruiert, dass er der Entleerung durch eine ordnungsgemäß funktionierende Austragspumpe standhält.

1. Montieren Sie den landseitigen Austrittsstutzen wie vom Hersteller beschrieben.

i Der landseitige Austrittsstutzen sollte im Deck direkt über der Toilette liegen.

2. Einen Schlauch in Schiffs-Sanitärqualität mit einem Innendurchmesser von 1,5" (38 mm) vom landseitigen Austrittsstutzen zur Auspumparmatur führen.
3. Sichern Sie den Schlauch an den Anschlüssen mit zwei Edelstahlbandklemmen an jedem Anschluss.

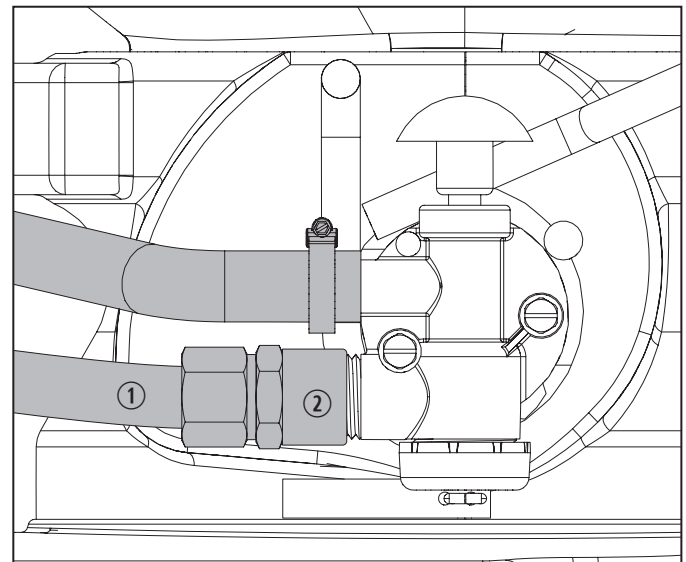
6.4 Wasserversorgung anschließen



- 5 Pedalabdeckung entfernen

- ① Pedalabdeckung
- ② Rückwand
- ③ Schrauben

1. Die zwei Schrauben von der Rückwand der Pedalabdeckung entfernen.
2. Pedalabdeckung entfernen.



- 6 Anschluss Wasserversorgung

- ① Wasserzuleitung
- ② Einlassstutzen

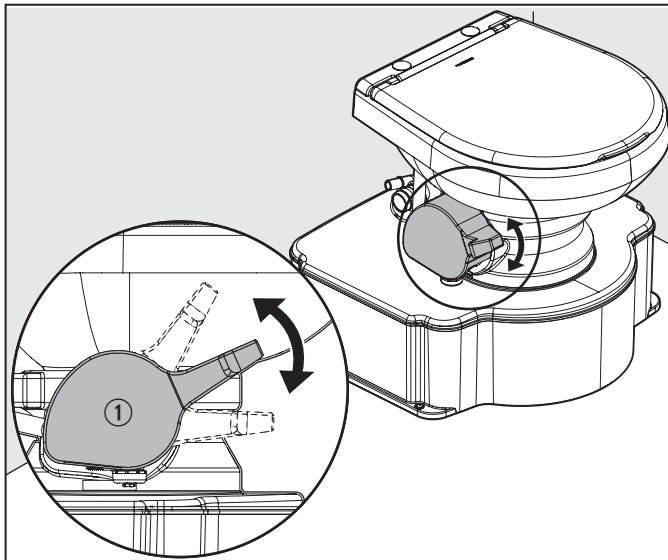
3. Schließen Sie die Wasserzuleitung an den Einlassstutzen an.
4. Schalten Sie die Wasserversorgung ein und spülen Sie mehrmals, um undichte Stellen aufzuspüren.

5. Die Pedalabdeckung wieder anbringen.
6. Die Rückwand des Geräts wieder anbringen und mit den Schrauben befestigen.

7 Betrieb

HINWEIS: Spülen Sie ausschließlich Wasser, Fäkalien und schnell lösliches Toilettenpapier herunter. Entsorgen Sie **keine** Damenbinden oder andere unlösliche Gegenstände in die Toilette.

Dieser Abschnitt beschreibt den Betrieb der Toilette.



7 Verwendung des Pedals

① Pedal

1. Heben Sie das Pedal an, um vor der Benutzung Wasser in die Toilette zu füllen.
2. Um die Toilettenspülung zu betätigen, drücken Sie das Pedal ganz nach unten, bis der Unrat die Toilettenschüssel verlassen hat.

i Der Wasserdurchflussdruck variiert von Ort zu Ort, weshalb das Pedal ggf. 4–8 Sekunden lang gedrückt gehalten werden muss. Wenn Sie das Spülpedal länger als nötig gedrückt halten, führt dies zu einem übermäßigen Wasserverbrauch.

3. Geben Sie das Pedal frei, indem Sie es zurückschnappen lassen. Es sollte eine kleine Menge Wasser in der Schüssel verbleiben.

8 Wartung

HINWEIS: Verwenden Sie **keine** scheuernden Reinigungsmittel, ätzenden Chemikalien oder Schmiermittel und Reinigungsmittel, die Chlor, Alkohole oder Erdöldestillate enthalten. Diese Substanzen können die inneren Dichtungen der Toilette beschädigen.

Die Anweisungen für Wartung und Reinigung in diesem Abschnitt sind zu den angegebenen Zeitintervallen auszuführen oder, je nach Gebrauch der Toilette, auch öfter.

Eine nicht ordnungsgemäße Wartung der Toilette kann zum Erlöschen der Garantie und zu einem sicherheitsgefährdenden Betrieb führen. Die vorbeugende Wartung ist nicht durch die Garantie abgedeckt.

8.1 Reinigung der Toilette

Die Toilette sollte regelmäßig mit einem milden, nicht scheuernden Reinigungsmittel wie dem Dometic-Toilettenschüsselreiniger gereinigt werden.

Wenn es zu Gerüchen kommt:

1. Fäkalientank vollständig entleeren.
2. Mischen Sie 237 ml (8 oz) einer biologisch abbaubaren Flüssigseife mit 19 l (5 gal) Süßwasser und spülen Sie das Gemisch durch die Toilette.
 - i** Fäkalientank niemals überfüllen. Siehe „Technische Merkmale“ auf Seite 13.
3. Fäkalientank entleeren.
4. Geben Sie nach der Reinigung und alle paar Tage während des Betriebs ein Geruchsbekämpfungsmittel in der für Ihren Fäkalientank angegebenen Menge hinzu.

8.2 Systemwartung

Wartungsverfahren sind sehr unterschiedlich und hängen von Faktoren wie Nutzungshäufigkeit, Qualität des Spülwassers usw. ab. Die Tabelle bietet einen allgemeinen Leitfaden, wie Sie Ihr Toilettensystem jederzeit einsatzbereit halten können.

Wartungsablauf	Wartungsintervall
Alle Schlauchverbindungsklemmen überprüfen	Monatlich
Das Filtersieb des Wasserventils prüfen	Jährlich
Spülkugel-Dichtring und Spülkugel ersetzen (falls erforderlich)	Alle drei Jahre

8.3 Empfohlene Ersatzteile


Wenn Sie ein Boot oder ein anderes Fahrzeug in abgelegenen Gebieten betreiben, halten Sie die folgenden Ersatzteile bereit, um einen kontinuierlichen Betrieb des Toilettensystems zu gewährleisten.

- Spülkugel-, Wellen- und Federpatronensatz
- Dichtungssatz
- Wasserventil-Montagesatz

8.4 Einwintern der Toilette

Am Ende jeder Saison sollte die Toilette für die Lagerung winterfest gemacht werden.

1. Fäkalientank entleeren.
2. Toilettensystem gründlich mit frischem Wasser spülen.
3. Wasserzufuhr zur Toilette absperren.

 Halten Sie ein Handtuch oder einen flachen Behälter bereit, um evtl. Restwasser aufzufangen.

4. Trennen Sie die Wasserzuleitung und spülen Sie die Toilette, um das Restwasser ablaufen zu lassen.
5. Fäkalientank entleeren.

9 Entsorgung



Verpackungsmaterial nach Möglichkeit in die entsprechenden Wertstofftonnen geben. Wenden Sie sich an eine örtliche Recyclingstelle oder einen Fachhändler, um zu erfahren, wie Sie das Produkt gemäß den geltenden nationalen und lokalen Vorschriften entsorgen können.

10 Garantiehinweise

Informationen zu Garantie und Garantiebetreuung in den USA, Kanada und allen anderen Regionen finden Sie in den nachstehenden Abschnitten.

10.1 USA und Kanada

EINGESCHRÄNKTE 2-JAHRESGARANTIE IST AUF DOMETIC.COM/EN-US/TERMS-AND-CONDITIONS-CONSUMER/WARRANTY EINSEHBAR.

WENN SIE FRAGEN HABEN ODER KOSTENLOS EINE KOPIE DER EINGESCHRÄNKTEN GARANTIE WÜNSCHEN, WENDEN SIE SICH BITTE AN:

DOMETIC CORPORATION
CUSTOMER SERVICE
13128 STATE ROUTE 226
BIG PRAIRIE, OH USA 44611
1-800-321-9886
011-330-439-5550

10.2 Asien-Pazifik-Länder (APAC)

Wenn das Produkt nicht ordnungsgemäß funktioniert, wenden Sie sich bitte an Ihren Händler oder die Niederlassung des Herstellers in Ihrem Land (die Internetadressen für Ihre Region oder Ihren Händler finden Sie auf der Rückseite dieser Bedienungsanleitung). Die Garanzzeit für Ihr Produkt beträgt zwei Jahre.

Zur Reparatur- bzw. Garantiebearbeitung müssen Sie folgende Unterlagen mitschicken:

- eine Kopie der Rechnung mit Kaufdatum
- einen Reklamationsgrund oder eine Fehlerbeschreibung

10.2.1 Nur für Australien

Unsere Waren sind mit Garantien versehen, die nach dem australischen Verbrauchergesetz nicht ausgeschlossen werden können. Sie haben Anspruch auf Ersatz oder Rückerstattung bei einem schwerwiegenden Defekt und auf Entschädigung für jeden anderen vernünftigerweise vorhersehbaren Verlust oder Schaden. Sie haben auch Anspruch auf Reparatur oder Ersatz der Waren, wenn die Waren nicht von akzeptabler Qualität sind und es sich nicht um einen schwerwiegenden Fehler handelt.

10.2.2 Nur für Neuseeland

Diese Garantieerklärung unterliegt den Bedingungen und Garantien, die gemäß dem Consumer Guarantees Act 1993 (NZ) zwingend vorgeschrieben sind.

10.3 Alle anderen Regionen

Es gilt die gesetzliche Gewährleistungsfrist. Wenn das Produkt defekt ist, wenden Sie sich bitte an die Niederlassung des Herstellers in Ihrer Region oder an Ihren Händler (die Internetadressen für Ihre Region oder Ihren Händler finden Sie auf der Rückseite dieser Bedienungsanleitung). Zur Reparatur- bzw. Garantiebearbeitung müssen Sie folgende Unterlagen mitschicken:

- eine Kopie der Rechnung mit Kaufdatum
- einen Reklamationsgrund oder eine Fehlerbeschreibung

11 Fehlersuche und Fehlerbehebung

i Es wird empfohlen, bei der Wartung von Sanitärprodukten stets eine persönliche Schutzausrüstung wie Handschuhe und eine Schutzbrille zu tragen.

In der folgenden Tabelle sind einige der möglichen Probleme angegeben, die beim Gebrauch der Toilette auftreten können, sowie die möglichen Ursachen dieser Probleme und die Maßnahmen, die zu ihrer Behebung ergriffen werden sollten.

Problem	Mögliche Ursache	Empfohlene Lösung
Das Wasser bleibt nicht in der Schüssel.	Die Bandklemme zwischen Sockel und Schüssel ist locker.	Die Bandklemmenjustierungsmutter anziehen.
	Die Dichtung um die Spülkugel ist wegen Schmutz oder Ablagerungen an der Unterseite der Spülkugeldichtung nicht mehr dicht.	1. Die Spülkugel und die Unterseite der Spülkugeldichtung auf Schmutz oder Ablagerungen überprüfen. 2. Ggf. reinigen.
	Die Kugelspüldichtung ist abgenutzt oder beschädigt.	1. Überprüfen, ob die Kugelspüldichtung abgenutzt oder beschädigt ist. 2. Spülkugel-Dichtring und Spülkugel ggf. ersetzen.
	Abgenutzte oder beschädigte Ventilkugel	1. Überprüfen, ob die Spülkugel abgenutzt oder beschädigt ist. 2. Spülkugel ggf. ersetzen.
Spülkugel schließt nicht vollständig.	Die Bandklemme zwischen Sockel und Schüssel ist zu fest angezogen und bewirkt zu viel Spannung auf Spüldichtung und Spülkugel.	Die Bandklemmenjustierungsmutter lösen.
	Federpatrone ist geschwächt oder defekt.	1. Pedal drücken, dann rasch loslassen. 2. Schnappt das Pedal nicht zurück, ist die Federpatrone zu ersetzen.
Die Wasserzufuhr zur Toilette schaltet nicht ab.	In der Dichtung des Wasserventils befindet sich Schmutz ¹	Wasserventil auseinanderbauen und reinigen.
	Der Hebel ist nach unten gebogen und hält das Wasserventil offen.	Die Vorderseite des Hebels um etwa 0,1" (2 mm) nach oben drücken.
	Das Wasserventil ist abgenutzt oder defekt.	Die Wasserventilbaugruppe austauschen.
	Federpatrone ist geschwächt oder defekt.	1. Pedal drücken, dann rasch loslassen. 2. Schnappt das Pedal nicht zurück, ist die Federpatrone zu ersetzen.
Wasser läuft nicht korrekt in die Schüssel ein	Niedriger Wasserdruck	Wasserdruck beim Zufluss kontrollieren. Siehe „Technische Merkmale“ auf Seite 13.
	Wasserventil verstopft	Das Filtersieb entfernen und reinigen. ¹
Das Wasserventil hat ein Leck	Wackelkontakt	Bodenkappe, Einlassstutzen ¹ und Bandklemme des Auslassschlauchs festziehen.
	Abgenutztes oder defektes Wasserventil	Die Wasserventilbaugruppe austauschen.
	Der Anschluss der Wasserleitung sitzt nicht richtig	1. Sicherstellen, dass das Gewinde am Einlassstutzen nicht verkantet ist. 2. Verbindung festziehen.
	Ausgeschlagenes Gewinde am Einlassstutzen	Die Wasserventilbaugruppe austauschen.
	Die Wasserventildichtung ¹ ist abgenutzt oder beschädigt.	
	Risse/Sprünge im Wasserventilgehäuse	
Wasser tritt an der Rückseite der Schüssel aus	Wasserversorgungsschlauch lose verbunden	Wasserversorgungsschlauch fest verbinden.
	Lose Rückschlagventilbaugruppe	Verbindung zwischen Rückschlagventil und Schüssel festziehen.
	Abgenutztes oder defektes Rückschlagventil	Rückschlagventilbaugruppe ersetzen.
	Schüssel mit Sprüngen oder sonstigen Beschädigungen	Schüssel ersetzen.

¹ Teil der Wasserventilbaugruppe

Emplacements des revendeurs et des services après-vente

Consultez le site Web www.dometic.com

Veillez lire et suivre attentivement l'ensemble des instructions, directives et avertissements figurant dans ce manuel afin de vous assurer que vous installez, utilisez et entretenez le produit correctement à tout moment. Ces consignes DOIVENT rester avec ce produit.

En utilisant le produit, vous confirmez par la présente que vous avez lu attentivement l'ensemble des instructions, directives et avertissements et que vous comprenez et acceptez de respecter les modalités et conditions énoncées dans le présent document. Vous acceptez d'utiliser ce produit uniquement pour l'usage et l'application prévus et conformément aux instructions, directives et avertissements figurant dans le manuel du produit, ainsi qu'à toutes les lois et réglementations applicables. Si vous ne lisez et ne respectez pas les instructions et les avertissements figurant dans ce manuel, vous risquez de vous blesser ou de blesser d'autres personnes, d'endommager votre produit ou d'endommager d'autres biens à proximité. Le présent manuel du produit, y compris les instructions, directives et avertissements, ainsi que la documentation associée peuvent faire l'objet de modifications et de mises à jour. Pour obtenir des informations actualisées sur le produit, rendez-vous sur www.dometic.com.

1	Signification des symboles et consignes de sécurité	18
2	Usage conforme	19
3	Remarques générales	19
4	Caractéristiques techniques	21
5	Avant l'installation	21
6	Installation	21
7	Utilisation	23
8	Maintenance	23
9	Mise au rebut	24
10	Informations sur la garantie	24
11	Dépannage	25

1 Signification des symboles et consignes de sécurité

Ce manuel comporte des informations et des consignes de sécurité afin de supprimer ou réduire les risques d'accidents et de blessures.

1.1 Reconnaître les informations de sécurité

⚠ **Voici le symbole d'alerte de sécurité.** Il sert à vous alerter des dangers potentiels de blessures physiques. Respectez tous les messages de sécurité qui suivent ce symbole pour éviter d'éventuelles blessures ou la mort.

1.2 Comprendre les mentions d'avertissements

Une mention d'avertissement indique un message de sécurité et un message de dommage aux biens, ainsi que le degré ou le niveau de gravité du risque.

⚠ AVERTISSEMENT

indique une situation dangereuse qui, si elle **n'est pas** évitée, est susceptible d'entraîner des blessures graves, voire mortelles.

ATTENTION : Porte sur des pratiques **sans** lien avec des blessures physiques.

i Indique une information supplémentaire sans lien avec des blessures physiques.

1.3 Directives supplémentaires

Pour réduire les risques d'accidents et de blessures, veuillez respecter les consignes suivantes avant de procéder à l'installation l'utilisation, ou l'entretien de cet appareil :

- Lisez et respectez toutes les informations et consignes de sécurité.
- Il faut avoir lu et compris ces consignes avant l'installation, l'utilisation, ou l'entretien de ce produit.
- L'installation doit être conforme à tous les codes locaux ou nationaux en vigueur.

1.4 Messages de sécurité générale

⚠ **AVERTISSEMENT : RISQUE D'INONDATION.**
Le non-respect de ces avertissements peut entraîner des blessures graves, voire mortelles :

- Si les toilettes sont connectées à un passe-coque, fermez **toujours** les vannes lorsque les toilettes ne sont pas utilisées (même si le bateau est sans surveillance pendant une courte période). Tous les passagers **doivent** savoir comment fermer les vannes lorsque les toilettes ne sont pas utilisées.
- Si les toilettes sont raccordées à des passe-coque, tous les tuyaux flexibles **doivent** résister à l'eau de mer et

la fixation à tout raccord (par exemple au niveau du passe coque ou des toilettes) doit être sécurisée par deux colliers de serrage à vis sans fin en inox pour chaque raccordement. Il **faudrait** vérifier régulièrement l'intégrité des raccordements.

- Vérifiez que les vannes sont fermées ou sur la position off avant l'installation des toilettes ou toute opération de maintenance.
- Si les toilettes utilisent de l'eau douce pour le rinçage et qu'elles sont connectées à un moment, directement ou indirectement, à un système municipal d'eau sur la côte, les branchements d'eau à la côte **doivent** être débranchés si le bateau est sans surveillance (même si le bateau est sans surveillance pendant une courte période).
- Utilisez uniquement des pièces de rechange et des composants Dometic spécialement approuvés pour cet appareil.
- Évitez toute installation, réglage, modifications, entretien, ou maintenance inappropriés de l'appareil. L'entretien et la maintenance **doivent** être effectués par un agent de service qualifié uniquement.
- **Ne** modifiez ce produit d'aucune manière. Les modifications peuvent être très dangereuses.

ATTENTION : Ne faites **pas** déborder la cuve à eaux noires, car cela pourrait endommager le système sanitaire.

2 Usage conforme

Les toilettes à évacuation par gravité (désignés ci-après comme les toilettes) sont conçues et prévues pour une installation sur un bateau pendant ou après leur fabrication. Ces toilettes conviennent uniquement à l'usage et à l'application prévus, conformément au présent manuel d'instructions.

Ce manuel fournit les informations nécessaires à l'installation et/ou à l'utilisation correcte des toilettes. Une installation, une utilisation ou une maintenance inappropriée entraînera des performances insatisfaisantes et une éventuelle défaillance. Le fabricant décline toute responsabilité en cas de blessure ou de dommage résultant :

- d'un montage ou d'un raccordement incorrect, y compris d'une surtension
- d'une maintenance inadaptée ou de l'utilisation de pièces de rechange autres que les pièces de rechange d'origine fournies par le fabricant
- de modifications apportées au produit sans autorisation explicite du fabricant
- d'utilisations différentes de celles décrites dans le manuel

Dometic se réserve le droit de modifier l'apparence et les caractéristiques techniques du produit.

3 Remarques générales

Cette partie fournit des remarques générales au sujet des toilettes et de leurs composants et dimensions.

- i** Les images dans ce document sont utilisées à des fins de référence uniquement. Les composants et leur emplacement peuvent varier d'un modèle particulier de produit à un autre. Les mesures peuvent varier de $\pm 0,38$ po. (10 mm).

3.1 Outils et matériaux

Dometic recommande l'utilisation des outils et des matériaux suivants pour l'installation de l'appareil.

Pièces incluses

Toilettes avec évacuation par gravité

Vis et écrous de montage de la cuve (4)

Installateur-Pièces fournies

Raccord d'évent passe-coque

Raccord de vidange à quai

5/8 po. (16 mm) de diamètre intérieur de flexible sanitaire résistant à l'eau de mer

1,5 po. (38 mm) de flexible sanitaire résistant à l'eau de mer

Colliers de serrage inox (8)

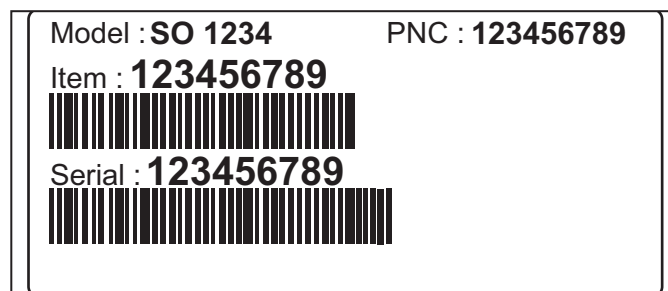
Arrivée d'eau

Outils recommandés

Perceuse	Tournevis pour vis à tête cylindrique
Mèche de perceuse	Tournevis pour collier de serrage
Marqueur	Tournevis Phillips

3.2 Identification du modèle

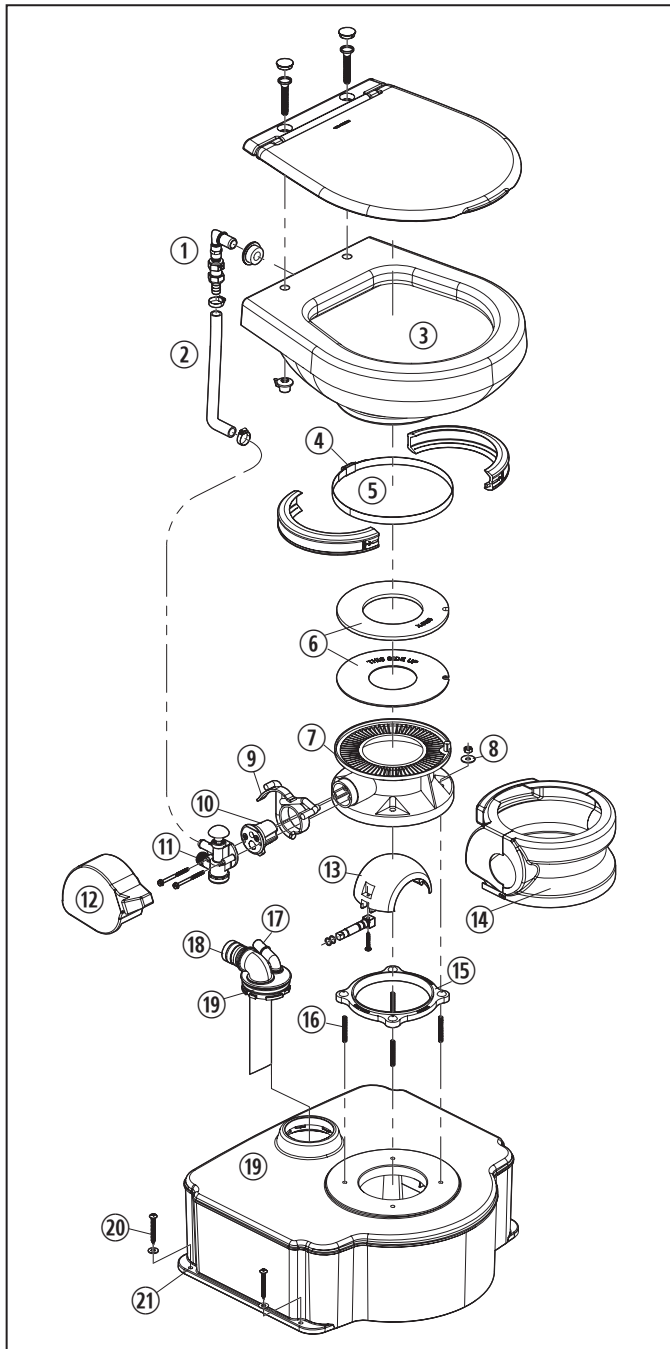
L'étiquette d'identification du modèle se trouve à l'avant de l'embase des toilettes, sous le cache du socle. Voir la section « Emplacement des composants » à la page 20.



- 1** Étiquette d'identification du modèle

3.3 Emplacement des composants

Cette partie permet d'identifier les composants des toilettes. Les composants peuvent varier légèrement en fonction du modèle.

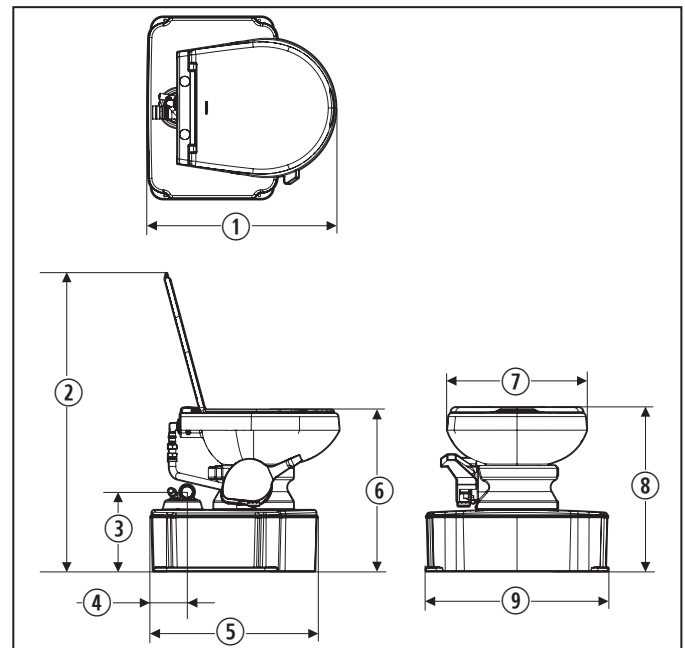


2 Composants du M65-700

- ① Clapet anti-retour
- ② Flexible d'alimentation
- ③ Cuvette
- ④ Écrou de réglage du collier de serrage
- ⑤ Collier de serrage de l'embase à la cuvette
- ⑥ Joints du capuchon de fermeture
- ⑦ Embase des toilettes
- ⑧ Écrous et rondelles de fixation des toilettes
- ⑨ Levier
- ⑩ Cartouche à ressorts
- ⑪ Ensemble de la vanne d'arrivée d'eau
- ⑫ Cache de la pédale
- ⑬ Capuchon de fermeture
- ⑭ Cache du socle
- ⑮ Joint d'embase
- ⑯ Goujons
- ⑰ Raccord d'évent
- ⑱ Raccords de pompe d'évacuation
- ⑲ Cuve à eaux noires
- ⑳ Écrous et rondelles de fixation de la cuve
- ㉑ Trous de fixation de la cuve

3.4 Dimensions des toilettes

Cette partie indique les dimensions des toilettes M65-700 et M65-5000.



3 Dimensions des toilettes

	M65-700	M65-5000
①	19,5 po. (50 cm)	19,8 po. (50 cm)
②	31,0 po. (79 cm)	33,8 po. (86 cm)
③	8,3 po. (21 cm)	8,3 po. (21 cm)

	M65-700	M65-5000
④	3,8 po. (10 cm)	3,8 po. (10 cm)
⑤	17,3 po. (44 cm)	17,3 po. (44 cm)
⑥	17,3 po. (44 cm)	18,8 po. (48 cm)
⑦	14,5 po. (37 cm)	14,8 po. (38 cm)
⑧	17,5 po. (45 cm)	19,8 po. (50 cm)
⑨	18,8 po. (48 cm)	18,8 po. (48 cm)

4 Caractéristiques techniques

Cette partie indique les caractéristiques techniques générales des toilettes.

Poids du M65-700	46 lb (20,9 kg)
Poids du M65-5000	49 lb (22,2 kg)
Pression d'arrivée d'eau douce	35-40 psi
Dimension de l'admission d'eau	0,5 po. (13 mm) NPT
Raccord d'évent	5/8 po. (16 mm) de diamètre extérieur
Raccord de pompe d'évacuation	1,5 po. (38 mm) de diamètre extérieur
Capacité de la cuve à eaux noires	6,5 gal (24,6 l)
Consommation minimum d'eau par chasse	0,1 gal (0,5 l)
Consommation moyenne d'eau par chasse	0,3 gal (1,0 l)

5 Avant l'installation

Cette partie décrit les étapes à effectuer avant l'installation des toilettes.

5.1 Préparation de l'installation des toilettes

1. Dans la salle d'eau, choisissez un emplacement où les toilettes pourront fonctionner correctement. Laissez suffisamment de place pour utiliser la pédale de la chasse d'eau et de l'espace pour lever le siège et le couvercle. Voir la section « Dimensions des toilettes » à la page 20.
2. Coupez l'arrivée d'eau vers l'emplacement des toilettes.

5.2 Retrait des toilettes existantes

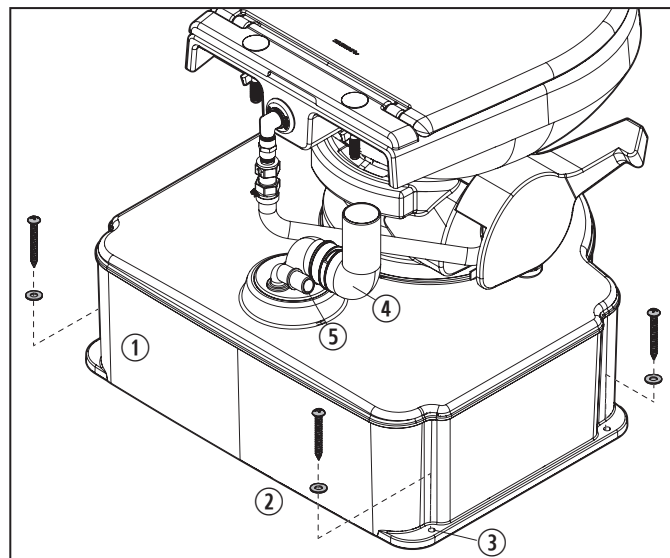
i S'il n'y pas de toilettes, passez à « Installation » à la page 21.

1. Tirez la chasse des toilettes pour évacuer l'eau de la cuvette.
 - i** Prévoyez une serpillière ou un récipient peu profond pour récupérer toute eau résiduelle.
2. Débranchez et videz la conduite d'arrivée d'eau.
3. Retirez les fixations qui attachent les toilettes au sol.
4. Retirez les toilettes du sol.
5. Débarrassez les toilettes, les fixations et tout débris.

6 Installation

Cette partie explique comment installer les toilettes.

6.1 Installation de la cuve à eaux noires



4 Mise en place de la cuve à eaux noires

- | | |
|--|---------------------------------|
| ① Cuve à eaux noires | ③ Trous de fixations de la cuve |
| ② Écrous et rondelles de fixation de la cuve | ④ Raccord de pompe d'évacuation |
| | ⑤ Raccord d'évent |

1. Placez l'arrière de la cuve à eaux noires à 0,8 po. (19 mm) du mur.
2. Notez la position des trous de fixation au sol, puis retirez la cuve à eaux noires.
3. Percez un pré-trou pour chaque trou de fixation.
4. Remettez la cuve à eaux noires en place.

- Fixez la cuve à eaux noires au sol à l'aide des vis et des écrous de fixation de la cuve.

i Ne serrez pas trop les vis.

6.2 Installation du raccord passe coque

- Installez le raccord passe coque conformément aux consignes du fabricant.

i Il faut placer le raccord passe coque bien au-dessus de la ligne d'eau et au-dessus des toilettes.

- Faites passer un flexible sanitaire de 5/8 po. (16 mm) de diamètre intérieur résistant à l'eau de mer depuis le raccord d'évent passe coque jusqu'au raccord d'évent de la cuve à eaux noires.
- Sécurisez la fixation du flexible aux raccords d'évents à l'aide de deux colliers de serrage inox, un à chaque raccord.

6.3 Installation du raccord de vidange à quai

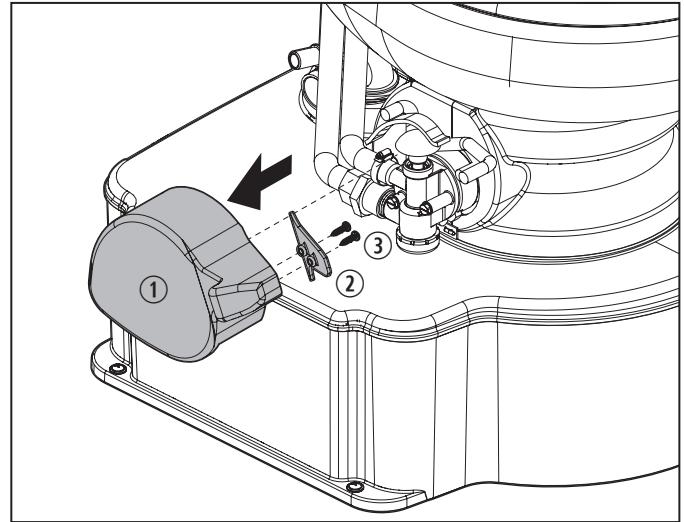
ATTENTION : La cuve à eaux noires des toilettes est conçue pour supporter une vidange par une pompe d'évacuation qui fonctionne correctement.

- Installez le raccord de vidange à quai conformément aux consignes du fabricant.

i Le raccord de vidange à quai doit être placé sur le pont directement au-dessus des toilettes.

- Faites passer un flexible sanitaire de 1,5 po (38 mm) de diamètre intérieur résistant à l'eau de mer depuis le raccord de vidange à quai vers le raccord de pompe d'évacuation.
- Sécurisez la fixation du flexible aux raccords à l'aide de deux colliers de serrage inox, un à chaque raccord.

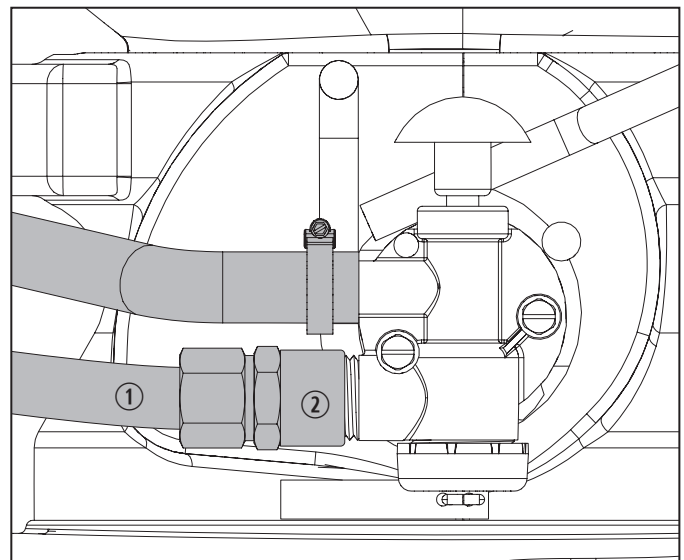
6.4 Raccordement de l'arrivée d'eau



5 Retrait du cache de la pédale

- ① Cache de la pédale ③ Vis
② Plaque arrière

- Retirez les deux vis de l'arrière du cache de la pédale.
- Enlevez le cache de la pédale.



6 Raccordements d'arrivée d'eau

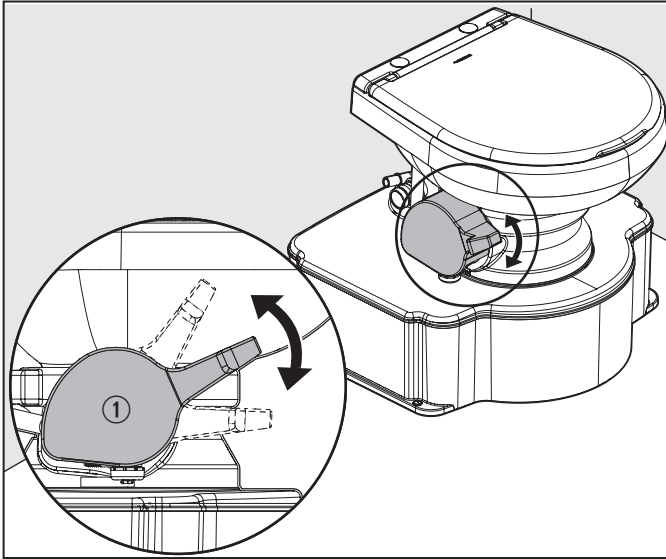
- ① Conduite d'arrivée d'eau ② Raccord d'admission d'eau

- Fixez la conduite d'arrivée d'eau au raccord d'admission.
- Ouvrez l'arrivée d'eau et tirez la chasse plusieurs fois pour vérifier la présence de fuites.
- Remettez en place le cache de la pédale.
- Replacez la plaque arrière et fixez-la avec les vis.

7 Utilisation

ATTENTION : Évacuer uniquement de l'eau, des déjections corporelles et du papier toilette à dissolution rapide. **Ne** jetez jamais de produits d'hygiène féminine ou d'autres articles ne se dissolvant pas dans les toilettes.

Cette partie explique comment utiliser les toilettes.



7 Utilisation de la pédale

① Pédale

1. Pour ajouter de l'eau dans les toilettes avant utilisation, levez la pédale.
2. Pour tirer la chasse des toilettes, appuyez sur la pédale jusqu'à ce que les déchets soient évacués de la cuvette des toilettes.

i La pression de l'eau varie selon les emplacements, il peut donc être nécessaire de maintenir l'appui sur la pédale pendant 4 à 8 secondes. Maintenir l'appui sur la pédale plus longtemps que nécessaire peut conduire à une consommation d'eau excessive.

3. Relâchez la pédale en la laissant revenir à sa position d'origine. Il doit rester une petite quantité d'eau dans la cuvette.

8 Maintenance

ATTENTION : **N'utilisez pas** des détergents abrasifs, des produits chimiques caustiques ou des lubrifiants et détergents contenant du chlore, des alcools ou des

distillats de pétrole. Ces produits peuvent endommager les joints internes des toilettes.

Les consignes de maintenance et de nettoyage expliquées dans cette partie doivent être appliquées à la fréquence indiquée, ou en fonction des besoins, selon l'utilisation des toilettes.

Le non-respect de la maintenance des toilettes peut annuler la garantie et peut entraîner une utilisation dangereuse. La maintenance préventive n'est pas couverte par la garantie.

8.1 Nettoyage des toilettes

Nettoyez les toilettes régulièrement avec un détergent doux non-abrasif comme le nettoyant pour cuvette de toilettes Dometic.

Si une odeur apparaît :

1. Videz complètement la cuve à eaux noires.
2. Mélangez 8 oz (237 ml) de lessive liquide biodégradable avec 5 gal (19 l) d'eau douce et tirez la chasse d'eau des toilettes.

i Ne dépassez pas la capacité de votre cuve à eaux noires. Voir la section « Caractéristiques techniques » à la page 21.

3. Vidangez la cuve à eaux noires.
4. Ajoutez la quantité de produit anti-odeur indiquée pour la capacité de votre cuve à eaux noires après le nettoyage et au bout de quelques jours d'utilisation.

8.2 Maintenance du système

Les procédures de maintenance varient beaucoup et dépendent de facteurs tels que la fréquence d'utilisation, la qualité de l'eau de rinçage, etc. Le tableau suivant fournit des directives générales afin que vos toilettes soient prêt à l'emploi à tout moment.

Procédure de maintenance	Intervalles d'entretien
Vérifiez tous les colliers de serrage sur les flexibles.	Chaque mois
Vérifiez la crépine du filtre dans l'ensemble de la vanne d'arrivée d'eau.	Chaque année
Remplacez le joint du capuchon de fermeture et le capuchon de fermeture (si nécessaire).	Tous les trois ans

8.3 Pièces détachées conseillées


Lorsque vous utilisez votre bateau ou votre véhicule dans des zones isolées, ayez toujours les pièces de rechange suivantes disponibles afin de garantir la continuité du fonctionnement du système de toilettes.

- Capuchon de fermeture, tige, et kit de cartouche à ressort
- Kit de joint
- Kit de l'ensemble de la vanne d'arrivée d'eau

8.4 Hivernage des toilettes

À la fin de chaque saison, il est recommandé de procéder à l'hivernage des toilettes avant le stockage.

1. Vidage de la cuve à eaux noires.
2. Rincez soigneusement le système à l'eau claire.
3. Fermez l'arrivée d'eau vers les toilettes.

 Prévoyez une serpillière ou un récipient peu profond pour récupérer toute eau résiduelle.

4. Débranchez la conduite d'arrivée d'eau et tirez la chasse pour évacuer toute eau résiduelle des toilettes.
5. Vidage de la cuve à eaux noires.

9 Mise au rebut



Dans la mesure du possible, veuillez éliminer les emballages dans les conteneurs de déchets recyclables prévus à cet effet. Contactez le centre de recyclage local ou votre revendeur spécialisé afin de vous renseigner sur les réglementations locale et nationale relatives à la mise au rebut des déchets.

10 Informations sur la garantie

Consultez les parties ci-dessous pour de plus amples informations relatives à la garantie et l'assistance dans le cadre de la garantie aux États-Unis, au Canada et dans toutes les autres régions.

10.1 États-Unis et Canada

GARANTIE LIMITÉE DE DEUX ANS DISPONIBLE SUR DOMETIC.COM/EN-US/TERMS-AND-CONDITIONS-CONSUMER/WARRANTY.

POUR TOUTE QUESTION OU POUR OBTENIR UNE COPIE GRATUITE DE LA GARANTIE LIMITÉE, CONTACTEZ :

DOMETIC CORPORATION
CUSTOMER SERVICE
13128 STATE ROUTE 226
BIG PRAIRIE, OH USA 44611
1-800-321-9886
011-330-439-5550

10.2 Pays d'Asie et du Pacifique

Si le produit ne fonctionne pas comme il devrait, veuillez contacter votre revendeur ou la filiale locale du fabricant (consultez les adresses Internet au dos de ce manuel d'instructions pour trouver votre revendeur local). La garantie applicable à votre produit est de an(s).

Pour toutes réparations ou autres prestations de garantie, veuillez joindre à l'appareil les documents suivants :

- une copie de la facture avec la date d'achat
- un motif pour la réclamation ou une description du dysfonctionnement

10.2.1 Australie uniquement

La garantie de nos produits ne peut faire l'objet d'une exclusion, conformément à l'Australian Consumer Law (loi sur la protection des consommateurs en Australie). Vous êtes éligible à un remboursement intégral en cas de panne majeure et à un dédommagement pour toute autre perte ou dommage prévisible. Vous êtes également éligible à la réparation ou au remplacement des produits s'ils n'offrent pas un niveau de qualité acceptable, mais ne présentent pas de panne majeure.

10.2.2 Nouvelle-Zélande uniquement

Cette politique de garantie est soumise aux conditions et garanties obligatoires, conformément aux directives du Consumer Guarantees Act 1993(NZ).

10.3 Toutes les autres régions

La période de garantie légale s'applique. Si le produit est défectueux, veuillez contacter la filiale locale du fabricant ou votre revendeur (consultez les adresses Internet au dos de ce manuel d'instructions pour trouver votre revendeur local).

Pour toutes réparations ou autres prestations de garantie, veuillez joindre à l'appareil les documents suivants :

- une copie de la facture avec la date d'achat
- un motif pour la réclamation ou une description du dysfonctionnement

11 Dépannage

i Il est recommandé de toujours porter toujours des équipements de protection individuelle, tels que des gants, des lunettes, ou des protections oculaires lors de l'utilisation de produits sanitaires.

Le tableau suivant présente la liste de certains problèmes qu'il est possible de rencontrer lors de l'utilisation des toilettes, les causes possible de ces problèmes, et les actions qu'il est conseillé d'entreprendre pour résoudre ces problèmes.

Problème	Cause possible	Solution recommandée
L'eau ne reste pas dans la cuvette.	Le collier de serrage de l'embase à la cuvette est lâche.	Serrez l'écrou de réglage du collier de serrage.
	L'étanchéité est insuffisante autour du capuchon de fermeture en raison de saleté ou de dépôts en dessous du joint du capuchon de fermeture.	1. Inspectez le capuchon de fermeture et le dessous du joint du capuchon de fermeture pour voir s'il y a des saletés ou des dépôts. 2. Nettoyez si nécessaire.
	Le joint du capuchon de fermeture est usé ou endommagé.	1. Vérifiez si le joint du capuchon de fermeture est usé ou endommagé. 2. Remplacez le joint du capuchon de fermeture si nécessaire.
	Capuchon de fermeture usé ou endommagé	1. Vérifiez si le joint du capuchon de fermeture est usé ou endommagé. 2. Remplacez le joint du capuchon de fermeture si nécessaire.
Le capuchon de fermeture ne ferme pas complètement.	Le collier de serrage de l'embase à la cuvette est trop serré et entraîne une tension excessive sur le joint de la chasse d'eau et sur le capuchon de fermeture.	Desserrez l'écrou de réglage du collier de serrage.
	La cartouche à ressort est faible ou défectueuse.	1. Appuyez sur la pédale puis relâchez-la rapidement. 2. Si la pédale ne revient pas dans sa position initiale, remplacez la cartouche à ressort.
L'eau ne s'arrête pas de couler dans les toilettes (les toilettes débordent).	Des saletés sont accumulées dans le joint de la vanne d'arrivée d'eau ¹	Démontez et nettoyez la vanne d'arrivée d'eau.
	Le levier est baissé, ce qui maintient la vanne d'arrivée d'eau ouverte.	Relevez le levier avant d'environ 0,1 po. (2 mm).
	La vanne d'arrivée d'eau est usée ou défectueuse.	Remplacez l'ensemble de la vanne d'arrivée d'eau.
	La cartouche à ressort est faible ou défectueuse.	1. Appuyez sur la pédale puis relâchez-la rapidement. 2. Si la pédale ne revient pas dans sa position initiale, remplacez la cartouche à ressort.
L'eau n'entre pas correctement dans la cuvette des toilettes.	Pression d'eau faible	Vérifiez la pression de l'eau à l'arrivée. Voir la section « Caractéristiques techniques » à la page 21.
	Vanne d'arrivée d'eau bouchée	Retirez la crépine et nettoyez-la. ¹
Fuite d'eau au niveau de la vanne d'arrivée d'eau	Raccord lâche	Serrez le capuchon inférieur, le raccord d'admission ¹ , et le collier de serrage du flexible d'évacuation.
	Vanne d'arrivée d'eau usée ou défectueuse	Remplacez l'ensemble de la vanne d'arrivée d'eau.
	La conduite d'eau n'est pas bien installée	1. Assurez-vous que les filetages du raccord d'admission sont correctement positionnés. 2. Serrez les raccords.
	Filetages dénudés sur le raccord d'admission	Remplacez l'ensemble de la vanne d'arrivée d'eau.
	Le joint de la vanne d'arrivée d'eau ¹ est usé ou manquant	
	Le corps de la vanne d'arrivée d'eau est fissuré	
De l'eau fuit à l'arrière de la cuvette	Desserrez le raccordement des flexibles d'arrivée d'eau.	Serrez les raccords des flexibles d'arrivée d'eau.
	Desserrez l'ensemble du clapet anti-retour	Serrez le raccordement entre le clapet anti-retour et la cuvette.
	Clapet anti-retour usé ou défectueux	Remettez l'ensemble du clapet anti-retour en position.
	Cuvette des toilettes fissurée ou défectueuse	Remplacez la cuvette des toilettes.

¹ Pièce de l'ensemble de la vanne d'arrivée d'eau

Centros de servicio y ubicación de los distribuidores

Visite: www.dometic.com

Lea estas instrucciones con atención y siga todas las instrucciones, pautas y advertencias que se incluyen en este manual del producto para asegurarse de instalar, utilizar y mantener el producto de forma adecuada en todo momento. Estas instrucciones DEBEN permanecer con este producto.

Al utilizar el producto, usted confirma que ha leído atentamente todas las instrucciones, pautas y advertencias, y que entiende y acepta cumplir los términos y condiciones que se establecen en el presente documento. Usted acepta utilizar este producto solo para el propósito y la aplicación previstos, de conformidad con las instrucciones, pautas y advertencias establecidas en este manual del producto, y de acuerdo con todas las leyes y los reglamentos aplicables. Si no lee ni sigue las instrucciones y las advertencias que se incluyen en el presente documento, puede lesionarse usted u otra persona y se puede dañar el producto u otra propiedad a su alrededor. Este manual del producto, incluidas las instrucciones, pautas y advertencias, así como la documentación relacionada, puede estar sujeto a cambios y actualizaciones. Para obtener información actualizada del producto, visite www.dometic.com.

- 1 Explicación de los símbolos e instrucciones de seguridad. 26**
- 2 Uso previsto. 27**
- 3 Información general 27**
- 4 Especificaciones 29**
- 5 Preinstalación 29**
- 6 Instalación 29**
- 7 Funcionamiento 30**
- 8 Mantenimiento 31**
- 9 Eliminación 32**
- 10 Información de la garantía. 32**
- 11 Resolución de problemas. 33**

1 Explicación de los símbolos e instrucciones de seguridad

Este manual contiene información e instrucciones de seguridad para ayudarle a eliminar o reducir el riesgo de accidentes y lesiones.

1.1 Reconocer la información de seguridad

⚠ Este es el símbolo de alerta de seguridad.
Se usa para alertarle sobre posibles peligros de lesiones físicas. Obedezca todos los mensajes de seguridad que siguen a este símbolo para evitar posibles lesiones o la muerte.

1.2 Comprender las palabras de señalización

Una palabra de señalización identificará los mensajes de seguridad y de daños materiales, e indicará el grado o nivel de gravedad del peligro.

⚠ ADVERTENCIA
Indica una situación peligrosa que, si **no** se evita, podría provocar la muerte o lesiones graves.

AVISO: Se utiliza para abordar prácticas **no** relacionadas con lesiones físicas.

i Indica información adicional que no está relacionada con una lesión física.

1.3 Directivas complementarias

Para reducir el riesgo de accidentes y lesiones, tenga en cuenta las pautas siguientes antes de proceder con la instalación, funcionamiento o servicio de este producto:

- Lea y siga todas las instrucciones y la información de seguridad.
- Lea y comprenda estas instrucciones antes de instalar, operar o dar servicio a este producto.
- La instalación debe cumplir con todos los códigos locales o nacionales aplicables.

1.4 Mensajes generales de seguridad

⚠ ADVERTENCIA: PELIGRO DE INUNDACIÓN. Hacer caso omiso a las advertencias puede ocasionar lesiones graves o la muerte:

- Si el inodoro está conectado a cualquier conector pasacascos, cierre **siempre** las válvulas Kingston cuando el inodoro no esté en uso (incluso si la embarcación está desatendida por un período breve). Todos los pasajeros se **deben instruir** sobre como cerrar las válvulas cuando el inodoro no está en uso.
- Si el inodoro está conectado a cualquier conector pasacascos, todas las mangueras flexibles **deben** estar diseñadas para el saneamiento marino y deben fijarse a cualquier conector (como las válvulas Kingston o el inodoro) con dos abrazaderas de banda para mangueras

de acero inoxidable, con tornillo sinfín en cada conexión. La integridad de las conexiones se **debe** verificar con frecuencia.

- Asegúrese de que las válvulas Kingston estén en la posición cerrada o apagada antes de instalar el inodoro o realizar cualquier mantenimiento.
- Si el inodoro usa agua dulce para la descarga y se conecta directa o indirectamente a un sistema de agua municipal de tierra en cualquier momento, las conexiones de agua de tierra se **deben** desconectar si la embarcación no está supervisada (incluso si la embarcación no está supervisada durante un breve período de tiempo).
- Utilice únicamente piezas de repuesto y componentes Dometic que estén específicamente aprobados para su uso con el aparato.
- Evite hacer instalaciones, ajustes, modificaciones, reparaciones o mantenimientos inadecuados del producto. El servicio y el mantenimiento **deben** ser realizados únicamente por personal de servicio cualificado.
- **No** modifique este producto de ninguna manera. Las modificaciones pueden ser extremadamente peligrosas.

AVISO: No llene en exceso el tanque de retención, ya que pueden ocurrir daños graves en el sistema sanitario.

2 Uso previsto

El inodoro de descarga por gravedad (en lo sucesivo, inodoro) está diseñado y previsto para su instalación en una embarcación durante o después de la construcción de esta. Este inodoro es adecuado solamente para el propósito y la aplicación previstos de acuerdo con estas instrucciones.

Este manual proporciona la información necesaria para la correcta instalación y funcionamiento del inodoro. Una instalación deficiente y/o un funcionamiento o mantenimiento incorrectos darán como resultado un rendimiento insatisfactorio y posibles fallos. El fabricante no acepta ninguna responsabilidad por lesiones o daños al producto que resulten de:

- Montaje o conexión incorrectos, incluido el exceso de voltaje
- Mantenimiento incorrecto o uso de repuestos distintos a los originales proporcionados por el fabricante
- Alteraciones al producto sin el permiso expreso del fabricante
- Uso con fines distintos a los descritos en el manual

Dometic se reserva el derecho de cambiar la apariencia y las especificaciones del producto.

3 Información general

Esta sección proporciona la información general sobre el inodoro y sus componentes y dimensiones.

i Las imágenes utilizadas en este documento son solo de referencia. Los componentes y la ubicación de los componentes pueden variar en función de los modelos específicos del producto. Las medidas pueden variar en ± 0.38 pulg. (10 mm).

3.1 Herramientas y materiales

Dometic recomienda utilizar las siguientes herramientas y materiales al instalar el inodoro.

Piezas incluidas

Inodoro de descarga por gravedad

Tornillos de montaje del tanque con arandelas (4)

Piezas suministradas por el instalador

Conector de ventilación a través del casco

Conector de descarga en el muelle

Manguera con calidad de saneamiento marino de 5/8 pulg. (16 mm) DI

Manguera con calidad de saneamiento marino de 1.5 pulg. (38 mm) DI

Abrazaderas de banda de acero inoxidable (8)

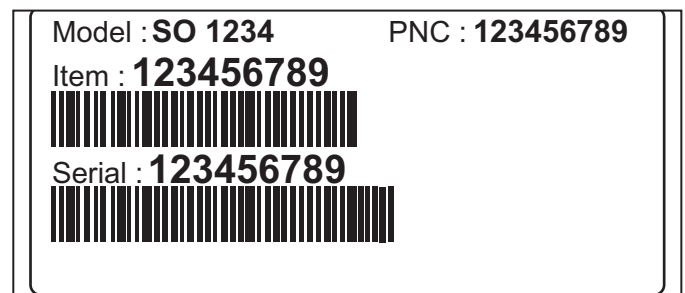
Suministro de agua

Herramientas recomendadas

Taladro	Destornillador de cabeza plana
Brocas	Destornillador para las abrazaderas de banda
Marcador	Destornillador Phillips

3.2 Identificación del modelo

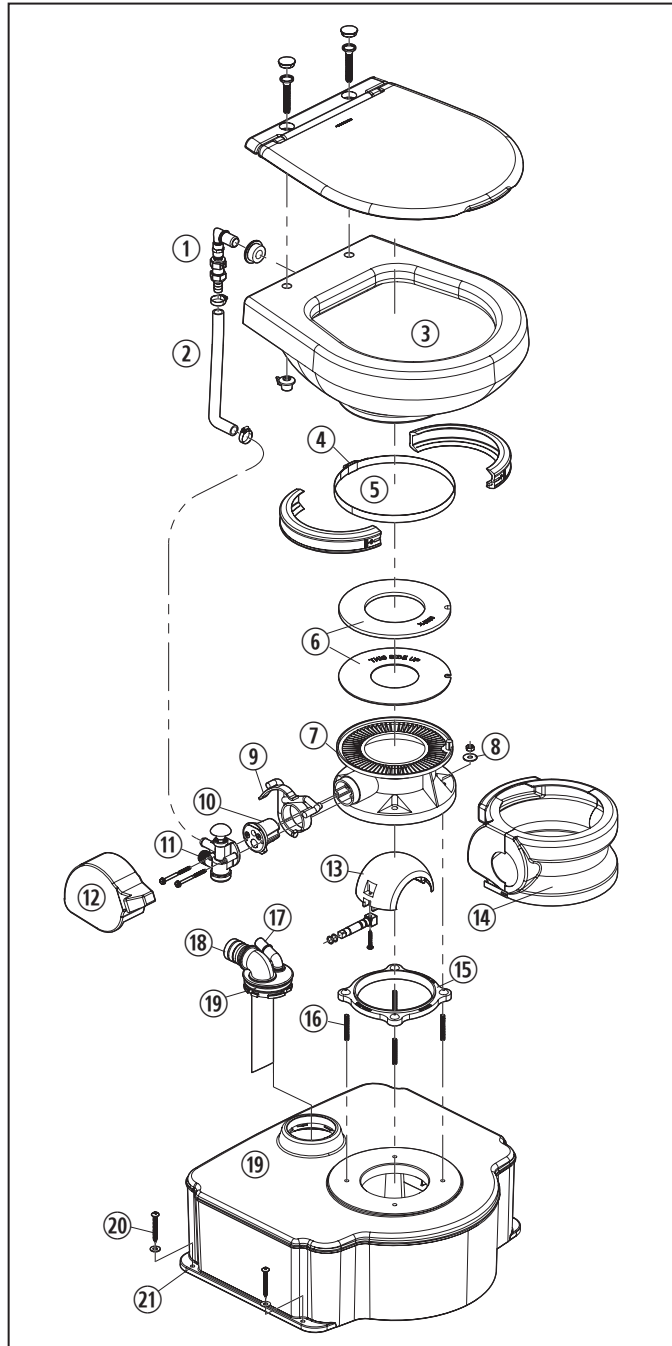
La etiqueta de identificación del modelo se encuentra en el frente de la base del inodoro debajo de la cubierta del pedestal. Consulte "Ubicación de los componentes" en la página 28.



1 Etiqueta de identificación del modelo

3.3 Ubicación de los componentes

Esta sección identifica los componentes del inodoro. Los componentes pueden variar ligeramente según el modelo.

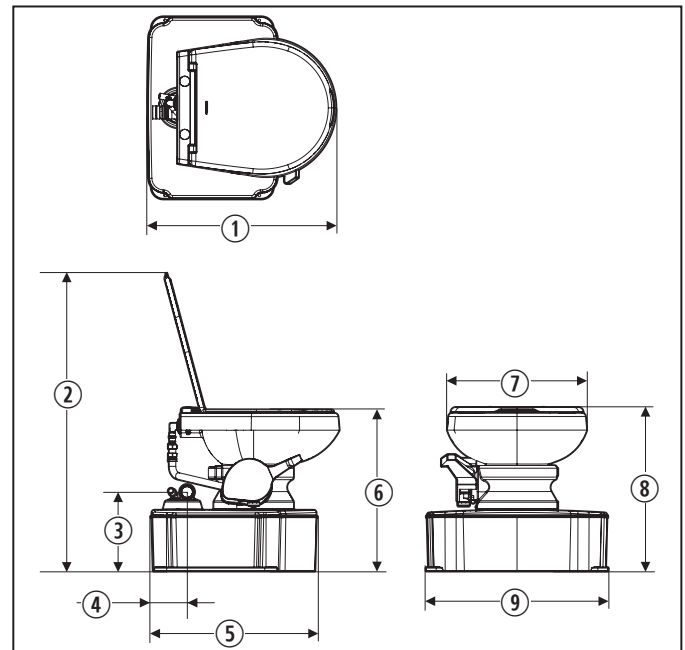


2 Componentes del M65-700

- ① Válvula de retención
- ② Manguera de suministro
- ③ Taza
- ④ Tuerca de ajuste de la abrazadera de banda
- ⑤ Abrazadera de banda de la base a la taza
- ⑥ Sellos de la bola de descarga
- ⑦ Base del inodoro
- ⑧ Tuercas y arandelas de montaje del inodoro
- ⑨ Palanca
- ⑩ Cartucho de resorte
- ⑪ Conjunto de la válvula de agua
- ⑫ Cubierta del pedal
- ⑬ Bola de descarga
- ⑭ Cubierta del pedestal
- ⑮ Sello de la base del piso
- ⑯ Clavijas
- ⑰ Conector de ventilación
- ⑱ Conector de bombeo
- ⑲ Tanque de retención
- ⑳ Tornillos y arandelas de montaje del tanque
- ㉑ Orificios de montaje del tanque

3.4 Dimensiones del inodoro

La sección proporciona las dimensiones de los inodoros M65-700 y M65-5000.



3 Dimensiones del inodoro

	M65-700	M65-5000
①	19,5 pulg. (50 cm)	19,8 pulg. (50 cm)
②	31,0 pulg. (79 cm)	33,8 pulg. (86 cm)
③	8,3 pulg. (21 cm)	8,3 pulg. (21 cm)
④	3,8 pulg. (10 cm)	3,8 pulg. (10 cm)

	M65-700	M65-5000
⑤	17,3 pulg. (44 cm)	17,3 pulg. (44 cm)
⑥	17,3 pulg. (44 cm)	18,8 pulg. (48 cm)
⑦	14,5 pulg. (37 cm)	14,8 pulg. (38 cm)
⑧	17,5 pulg. (45 cm)	19,8 pulg. (50 cm)
⑨	18,8 pulg. (48 cm)	18,8 pulg. (48 cm)

4 Especificaciones

Esta sección proporciona las especificaciones generales del inodoro.

Peso M65-700	46 libras (20.9 kg)
Peso M65-5000	49 libras (22.2 kg)
Presión de suministro del agua dulce	35–40 psi
Tamaño de la entrada de agua	0.5 pulg. (13 mm) NPT
Conector de ventilación	5/8 pulg. (16 mm) DE
Conector de bombeo	1.5 pulg. (38 mm) DE
Capacidad del tanque de retención	6.5 galones (24.6 L)
Consumo mínimo de agua por descarga	0.1 galones (0.5 L)
Consumo medio de agua por descarga	0.3 galones (1.0 L)

5 Preinstalación

Esta sección describe los pasos a seguir antes de instalar el inodoro.

5.1 Preparación para instalar el inodoro

1. Seleccione una posición en el baño donde el inodoro pueda funcionar correctamente. Deje espacio para el pedal de descarga y para levantar el asiento y la tapa. Consulte "Dimensiones del inodoro" en la página 28.
2. Cierre el suministro de agua a la ubicación del inodoro.

5.2 Desmontaje del inodoro instalado

i Si no hay un inodoro existente, pase a "Instalación" en la página 29.

1. Descargue el inodoro para drenar el agua de la taza.

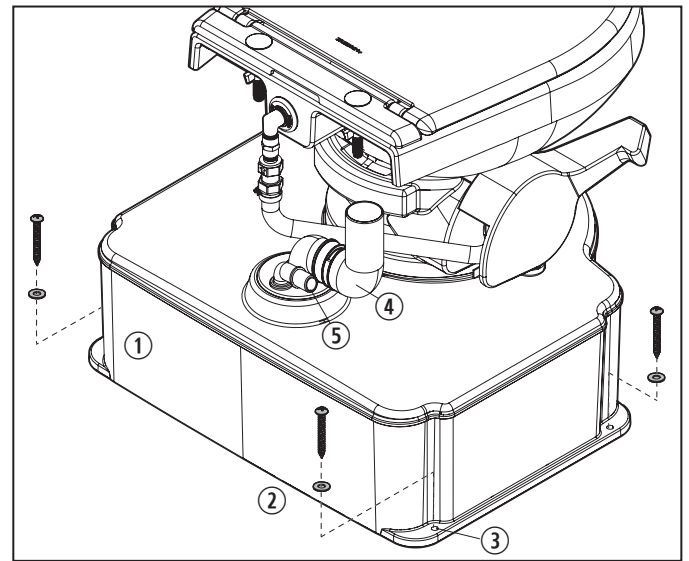
i Tenga una toalla o un recipiente poco profundo listo para recoger el agua residual.

2. Desconecte y drene la línea de suministro de agua.
3. Extraiga los sujetadores que anclan el inodoro al piso.
4. Quite el inodoro del piso.
5. Deseche el inodoro, los sujetadores y cualquier residuo producto de la remoción del inodoro.

6 Instalación

Esta sección describe cómo instalar el inodoro.

6.1 Instalación del tanque de retención



4 Colocación del tanque de retención

- | | |
|---|-----------------------------------|
| ① Tanque de retención | ③ Orificios de montaje del tanque |
| ② Tornillos y arandelas de montaje del tanque | ④ Conector de bombeo |
| | ⑤ Conector de ventilación |

1. Coloque la parte trasera del tanque de retención a 0.8 pulgadas (19 mm) de la pared.
2. Marque la posición de los orificios de montaje en el piso; a continuación, quite el tanque de retención.
3. Taladre un orificio piloto para cada orificio de montaje.
4. Vuelva a colocar el tanque de retención en su posición.
5. Asegure el tanque de retención al piso con los tornillos y arandelas de montaje del tanque.

i No apriete demasiado los tornillos.

6.2 Instalación del conector pasacascos

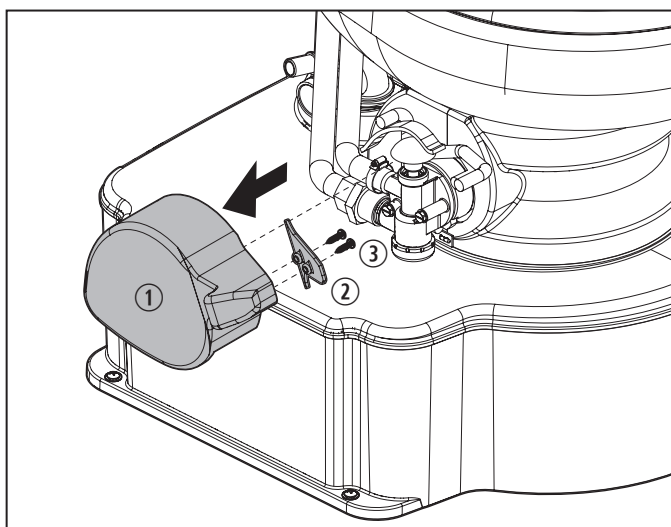
1. Instale el conector pasacascos de acuerdo con las instrucciones del fabricante.
 - i** El conector pasacascos debe ubicarse bien por encima de la línea de flotación y directamente sobre el inodoro.
2. Tienda una manguera con calidad de saneamiento marino de 5/8 de pulgada (16 mm) de diámetro interior desde el conector de ventilación a través del casco hasta el conector de ventilación en el tanque de retención.
3. Asegure la manguera a los conectores de ventilación con dos abrazaderas de banda de acero inoxidable en cada conexión.

6.3 Instalación del conector de descarga en el muelle

AVISO: El tanque de retención del inodoro está diseñado para resistir la descarga que se realice mediante una bomba de descarga que funcione correctamente.

1. Instale el conector de descarga en el muelle de acuerdo con las instrucciones del fabricante.
 - i** El conector de descarga en el muelle debe ubicarse en la plataforma directamente encima del inodoro.
2. Tienda una manguera con calidad de saneamiento marino de 1.5 pulgadas (38 mm) de diámetro interior desde el conector de descarga en el muelle hasta el conector de bombeo.
3. Asegure la manguera a los conectores con dos abrazaderas de banda de acero inoxidable en cada conexión.

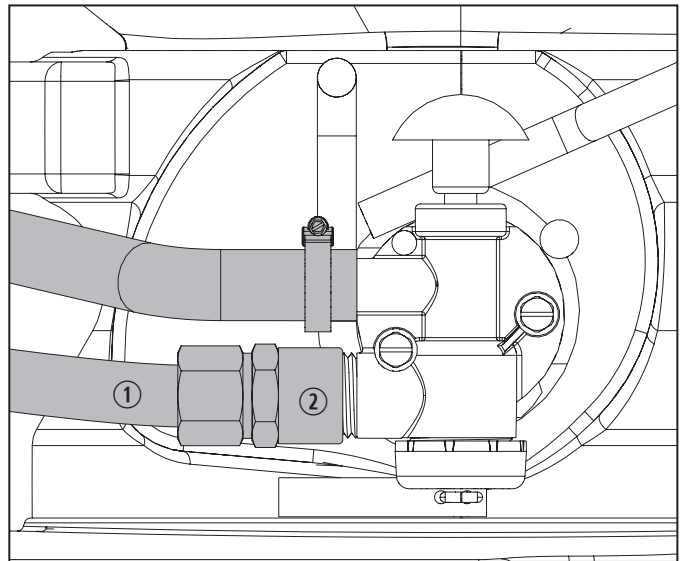
6.4 Conexión del suministro de agua



5 Extracción de la cubierta del pedal

- ① Cubierta del pedal
- ② Placa trasera
- ③ Tornillos

1. Quite los dos tornillos de la parte trasera de la cubierta del pedal.
2. Quite la cubierta del pedal.



6 Conexiones de suministro de agua

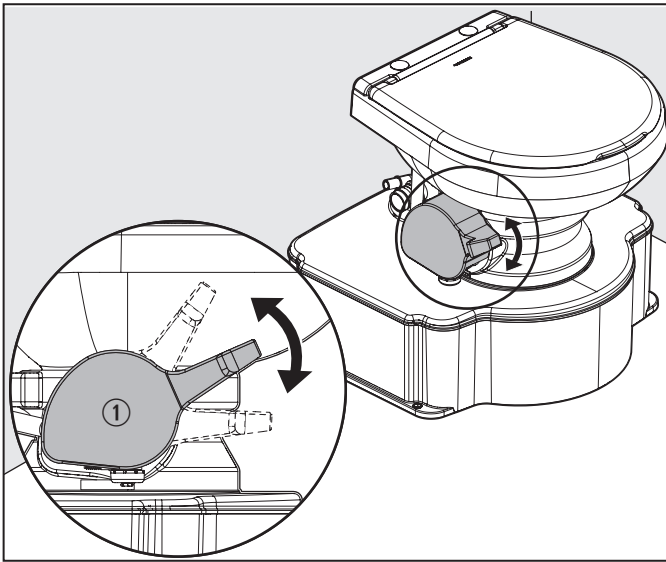
- ① Línea de suministro de agua
 - ② Conector de entrada de agua
3. Conecte la línea de suministro de agua al conector de entrada.
 4. Abra el suministro de agua y descargue varias veces para verificar si hay fugas.
 5. Vuelva a colocar la cubierta del pedal.
 6. Vuelva a colocar la placa trasera y asegure con los tornillos.

7 Funcionamiento

AVISO: Solamente descargue agua, desechos corporales y papel higiénico de rápida disolución.

No deseche los productos de higiene femenina u otros artículos que no se disuelvan en el inodoro.

Esta sección describe cómo operar el inodoro.



7 Uso del pedal

① Pedal

1. Levante el pedal para agregar agua al inodoro antes de usarlo.
2. Para descargar el inodoro, presione el pedal hasta el fondo hasta que los desechos salgan de la taza del inodoro.

i La presión del flujo de agua varía en diferentes lugares, por lo que puede ser necesario mantener presionado el pedal de 4 a 8 segundos. Mantener presionado el pedal de descarga más de lo necesario resultará en un uso excesivo de agua.

3. Suelte el pedal dejándolo retroceder. Debería quedar una pequeña cantidad de agua en la taza.

8 Mantenimiento

AVISO: No use limpiadores abrasivos, productos químicos cáusticos o lubricantes y limpiadores que contengan alcoholes o destilados de petróleo. Estas sustancias pueden causar daños a las juntas internas del inodoro.

Las instrucciones de mantenimiento y limpieza proporcionadas en esta sección deben realizarse en los intervalos indicados, o según sea necesario, dependiendo del uso del inodoro.

No dar un mantenimiento adecuado al inodoro podría anular la garantía y provocar un funcionamiento inseguro. La garantía no cubre el mantenimiento preventivo.

8.1 Limpieza del inodoro

El inodoro debe limpiarse con regularidad con un limpiador suave no abrasivo como el limpiador de inodoros Dometic.

Si el olor es apreciable:

1. Descargue completamente el tanque de retención.
2. Mezcle 8 oz (237 ml) de jabón líquido para lavar ropa biodegradable con 5 galones (19 L) de agua dulce y descárguelo por el inodoro.
 - i** No exceda la capacidad de su tanque de retención. Consulte la sección "Especificaciones" en la página 29.
3. Descargue el tanque de retención.
4. Agregue un producto de control del olor en la cantidad especificada según la capacidad de su tanque de retención después de la limpieza y cada pocos días durante el uso.

8.2 Mantenimiento del sistema

Los procedimientos de mantenimiento varían considerablemente y dependen de factores como la frecuencia de uso, la calidad del agua de descarga, etc. La tabla proporciona lineamientos generales para mantener su inodoro listo para usarse en cualquier momento.

Procedimiento de mantenimiento	Intervalo de servicio
Revisar todas las uniones de manguera con abrazaderas	Mensualmente
Revisar la pantalla del filtro en el conjunto de la válvula de agua	Anualmente
Reemplazar el sello de la bola de descarga y la bola de descarga (de ser necesario)	Cada tres años


8.3 Piezas de repuesto recomendadas

Cuando opere una embarcación u otro vehículo en áreas remotas, tenga las siguientes piezas de repuesto a mano para garantizar un funcionamiento continuo del sistema de inodoro.

- Kit de bola de descarga, eje y cartucho de resorte
- Kit de sellado
- Kit de montaje de la válvula de agua

8.4 Preparación del inodoro para el invierno

Al final de cada temporada, el inodoro debe acondicionarse para su almacenamiento durante el invierno.

1. Vacíe el tanque de retención.
2. Descargue completamente el sistema con agua fresca.
3. Cierre el suministro de agua al inodoro.
 -  Tenga una toalla o un recipiente poco profundo listo para recoger el agua residual.
4. Desconecte la línea de suministro de agua y descargue el inodoro para drenar el agua residual.
5. Vacíe el tanque de retención.

9 Eliminación



Coloque el material de embalaje en los contenedores de reciclaje adecuados, siempre que sea posible. Consulte a un centro de reciclaje local o un distribuidor especializado para obtener detalles sobre cómo desechar el producto de acuerdo con todas las reglamentaciones nacionales y locales aplicables.

10 Información de la garantía

Consultar las siguientes secciones para obtener información sobre la garantía y la asistencia para garantía en EE. UU., Canadá, Australia, Nueva Zelanda y el resto de regiones.

10.1 Estados Unidos y Canadá

GARANTÍA LIMITADA DE DOS AÑOS DISPONIBLE EN DOMETIC.COM/EN-US/TERMS-AND-CONDITIONS-CONSUMER/WARRANTY.

SI TIENE PREGUNTAS O DESEA OBTENER UNA COPIA SIN COSTO DE LA GARANTÍA LIMITADA, CONTACTE A:

DOMETIC CORPORATION
CUSTOMER SERVICE
13128 STATE ROUTE 226
BIG PRAIRIE, OH USA 44611
1-800-321-9886
011-330-439-5550

10.2 Países de Asia y el Pacífico (APAC)

Si el producto no funciona como debería, contacte con su distribuidor o con la sucursal del fabricante en su país (consulte en la última página de las instrucciones las direcciones web para encontrar su región o distribuidor). La garantía aplicable a su producto es de dos años.

Para tramitar la reparación y la garantía, incluya los siguientes documentos cuando envíe el aparato:

- Una copia del recibo con la fecha de compra
- Una razón del reclamo o descripción de la falla

10.2.1 Solo en Australia

Nuestros productos tienen garantías que no pueden ser excluidas en virtud de la Ley del Consumidor de Australia. Tiene derecho a una sustitución o reembolso por una avería importante y a una indemnización por cualquier otra pérdida o daño razonablemente previsible. También tiene derecho a que se reparen o sustituyan los productos si estos no son de calidad aceptable y el fallo no representa una avería importante.

10.2.2 Solo en Nueva Zelanda

Esta política de garantía está sujeta a las condiciones y garantías obligatorias según lo establecido por la Ley de Garantías del Consumidor de 1993 (NZ).

10.3 Otras regiones

Se aplica el período de garantía legal. Si el producto presenta algún defecto, contacte con la sucursal del fabricante de su zona o con su distribuidor (consulte en la última página de las instrucciones las direcciones web para encontrar su región o distribuidor).

Para procesar reparaciones y garantías, incluya los documentos siguientes cuando envíe el dispositivo:

- Una copia del recibo con la fecha de compra
- Una razón del reclamo o descripción de la falla

11 Resolución de problemas

i Se recomienda usar siempre equipo de protección personal, como guantes, gafas protectoras o anteojos de seguridad al dar servicio a cualquier producto sanitario.

La siguiente tabla enumera algunos de los posibles problemas que se pueden encontrar al usar el inodoro, las posibles causas de estos problemas y las medidas recomendadas para remediarlos.

Problema	Causa posible	Solución recomendada
El agua no permanece en la taza.	La abrazadera de banda de la base a la taza está suelta.	Apriete la tuerca de ajuste de la abrazadera de banda.
	Hay un sello inadecuado alrededor de la bola de descarga debido a suciedad o desechos en la parte inferior del sello de la bola de descarga.	<ol style="list-style-type: none"> 1. Inspeccione la bola de descarga y la parte inferior del sello de la bola de descarga en busca de suciedad o residuos. 2. Limpie si es necesario.
	El sello de la bola de descarga está desgastado o dañado.	<ol style="list-style-type: none"> 1. Inspeccione el sello de la bola de descarga en busca de desgaste o daño. 2. Reemplace el sello de la bola de descarga si es necesario.
	Bola de descarga gastada o dañada	<ol style="list-style-type: none"> 1. Inspeccione la bola de descarga para ver si está desgastada o dañada. 2. Reemplace la bola de descarga si es necesario.
La bola de descarga no se cierra completamente.	La abrazadera de banda de la base a la taza está demasiado apretada lo que provoca demasiada tensión en el sello de descarga y la bola de descarga.	Afloje la tuerca de ajuste de la abrazadera de banda.
	El cartucho de resorte tiene poca fuerza o está defectuoso.	<ol style="list-style-type: none"> 1. Presione el pedal y luego suéltelo rápidamente. 2. Si el pedal no retrocede, reemplace el cartucho de resorte.
El agua no se cierra en el inodoro.	Hay suciedad en el sello de la válvula de agua ¹	Desmonte y limpie la válvula de agua.
	La palanca está doblada hacia abajo, manteniendo abierta la válvula de agua.	Doble la parte delantera de la palanca hacia arriba aproximadamente 0.1 pulgadas (2 mm).
	La válvula de agua está desgastada o defectuosa.	Reemplace el conjunto de la válvula de agua.
	El cartucho de resorte tiene poca fuerza o está defectuoso.	<ol style="list-style-type: none"> 1. Presione el pedal y luego suéltelo rápidamente. 2. Si el pedal no retrocede, reemplace el cartucho de resorte.
El agua no ingresa a la taza del inodoro adecuadamente.	Baja presión de agua	Revise la presión del agua entrante. Consulte la sección "Especificaciones" en la página 29.
	Válvula de agua obstruida	Extraiga y limpie la rejilla del filtro. ¹
Fuga de agua por la válvula de agua	Conexión floja	Apriete la tapa inferior, el conector de entrada ¹ y la abrazadera de banda de la manguera de descarga.
	Válvula de agua desgastada o defectuosa	Reemplace el conjunto de la válvula de agua.
	La conexión de la línea de agua no está asentada correctamente	<ol style="list-style-type: none"> 1. Asegúrese de que la rosca del conector de entrada no esté pasada. 2. Apriete la conexión.
	Rosca gastada en la conexión de entrada	Reemplace el conjunto de la válvula de agua.
	El sello de la válvula de agua ¹ está desgastado o ausente	
	El cuerpo de la válvula de agua está agrietado	
Hay una fuga de agua por la parte trasera de la taza.	Conexión floja de la manguera de suministro de agua	Apriete las conexiones de la manguera de suministro de agua.
	Conjunto de la válvula de retención suelto	Apriete la conexión de la válvula de retención a la taza.
	Válvula de retención desgastada o defectuosa	Reemplace el conjunto de la válvula de retención.
	Taza rota o defectuosa	Reemplace la taza.

¹ Parte del conjunto de la válvula de agua

Locatie servicecentrum en verkopers

Bezoek: www.dometic.com

Lees alle instructies, richtlijnen en waarschuwingen in deze gebruiksaanwijzing en volg ze zorgvuldig op om ervoor te zorgen dat u het product te allen tijde op de juiste manier installeert, gebruikt en onderhoudt. Deze instructies MOETEN bij dit product bewaard worden.

Door het product te gebruiken, bevestigt u hierbij dat u alle instructies, richtlijnen en waarschuwingen zorgvuldig hebt gelezen en dat u de voorwaarden en condities zoals die hierin zijn beschreven begrijpt en accepteert. U gaat ermee akkoord dit product alleen te gebruiken voor het beoogde doel en de beoogde toepassing en in overeenstemming met de instructies, richtlijnen en waarschuwingen zoals beschreven in deze gebruiksaanwijzing en in overeenstemming met de geldende wet- en regelgeving. Het niet lezen en opvolgen van de hierin beschreven instructies en waarschuwingen kan leiden tot letsel voor uzelf en anderen, schade aan uw product of schade aan andere eigendommen in de omgeving. Deze gebruiksaanwijzing, met inbegrip van de instructies, richtlijnen en waarschuwingen, en de bijbehorende documentatie kan onderhevig zijn aan wijzigingen en updates. Actuele productinformatie vindt u op www.dometic.com.

1	Uitleg symbolen en veiligheidsinstructies. .	34
2	Beoogd gebruik	35
3	Algemene informatie	35
4	Specificaties.	37
5	Pre-installatie	37
6	Installatie	37
7	Bediening.	38
8	Onderhoud	39
9	Verwijdering	40
10	Garantiegegevens	40
11	Problemen oplossen.	41

1 Uitleg symbolen en veiligheidsinstructies

Deze handleiding bevat veiligheidsinformatie en instructies om u te helpen het risico op ongevallen en verwondingen te verkleinen.

1.1 Herken veiligheidsinformatie



Dit is een veiligheidswaarschuwing.

Deze wordt gebruikt om u te attenderen op mogelijk gevaar voor verwondingen. Volg alle veiligheidsinformatie bij dit symbool om mogelijke verwondingen of overlijden te voorkomen.

1.2 Begrijp signaalwoorden

Een signaalwoord geeft informatie over veiligheid en eigendomsschade en geeft de mate of ernst van het gevaar aan.



WAARSCHUWING

Duidt op een gevaarlijke situatie die, indien deze **niet** wordt voorkomen, kan leiden tot ernstig letsel of de dood.

NB: Wordt gebruikt om praktijken aan te duiden die **geen** betrekking hebben op verwondingen.



Duidt op aanvullende informatie die geen betrekking heeft op verwondingen.

1.3 Aanvullende richtlijnen

Om het risico op ongevallen en verwondingen te verminderen, dient u de volgende richtlijnen in acht te nemen voordat u doorgaat met het installeren, bedienen of onderhouden van dit apparaat:

- Lees alle veiligheidsinformatie en instructies door en volg deze.
- De volgende instructies moeten worden gelezen en begrepen voor het monteren, onderhouden en/of bedienen van dit product.
- De installatie moet voldoen aan alle van toepassing zijnde lokale of nationale regels.

1.4 Algemene veiligheidsmeldingen



WAARSCHUWING: GEVAAR VOOR OVERSTROMING. Het niet in acht nemen van de volgende waarschuwingen kan leiden tot de dood of ernstig letsel:

- Als het toilet is aangesloten op enige fittings voor rompdoorvoer, **altijd** de buitenboordkranen sluiten als het toilet niet in gebruik is (zelfs indien de boot slechts voor korte tijd niet gebruikt wordt). Alle passagiers **moeten** uitleg krijgen over hoe de kleppen te sluiten als het toilet niet in gebruik is.

- Als het toilet wordt aangesloten op enige fittings voor rompdoorvoer moeten **alle** flexibele slangen van afdoende kwaliteit voor sanitair op zee zijn en moeten ze bij elke aansluiting vastgezet worden aan een fitting (zoals die bij de buitenboordkraan of het toilet) met twee roestvrijstalen slangbandklemmen met wormsluiting. Er **moet** regelmatig worden gecontroleerd of de aansluitingen nog in orde zijn.
- Zorg ervoor dat de buitenboordkranen in de gesloten of uitgeschakelde stand staan voordat u het toilet installeert of onderhoud uitvoert.
- Als er schoon water wordt gebruikt om het toilet te spoelen en het toilet direct of indirect is aangesloten op een gemeentelijk watersysteem aan wal, **moeten** aansluitingen op watersystemen aan wal worden afgesloten als de boot onbeheerd achtergelaten wordt (zelfs als de boot voor korte tijd onbeheerd achtergelaten wordt).
- Gebruik alleen vervangende onderdelen en componenten van Dometic die specifiek zijn goedgekeurd voor gebruik met het apparaat.
- Vermijd onjuiste installatie, afstelling, wijzigingen, service of onderhoud van het apparaat. Service en onderhoud **mogen alleen** worden uitgevoerd door gekwalificeerd servicepersoneel.
- Dit product mag **nooit** worden aangepast. Aanpassingen kunnen extreem gevaarlijk zijn.

NB: Zorg dat de vuilwatertank **nooit** te vol raakt, anders kan het zuiveringssysteem beschadigd raken.

2 Beoogd gebruik

Het Zwaartekracht-afvoertoilet (hierna toilet genoemd) is ontworpen en bedoeld voor installatie in een boot tijdens of na de fabricage. Dit toilet is alleen geschikt voor het beoogde gebruik en de toepassing in overeenstemming met deze gebruiksaanwijzing.

Deze handleiding geeft informatie die nodig is voor een goede installatie en/of bediening van het toilet. Een slechte installatie en/of verkeerde bediening of onderhoud leidt tot onbevredigende prestaties en mogelijke storingen. De fabrikant aanvaardt geen aansprakelijkheid voor letsel of schade aan het product die het gevolg is van:

- Onjuiste montage of aansluiting, inclusief te hoge spanning
- Onjuist onderhoud of gebruik van andere dan door de fabrikant geleverde originele reserveonderdelen
- Wijzigingen van het product zonder uitdrukkelijke toestemming van de fabrikant

- Gebruik voor andere doeleinden dan beschreven in deze handleiding

Dometic behoudt zich het recht voor om het uiterlijk en de specificaties van het product te wijzigen.

3 Algemene informatie

In dit gedeelte vindt u algemene informatie over het toilet en de onderdelen en afmetingen.

- i** De afbeeldingen die in dit document worden gebruikt, zijn alleen ter referentie. Componenten en componentlocaties kunnen variëren afhankelijk van specifieke productmodellen. Afmetingen kunnen $\pm 0,38$ in. (10 mm) variëren.

3.1 Gereedschap en materialen

Dometic raadt aan de volgende gereedschappen en materialen te gebruiken bij het installeren van het apparaat.

Inbegrepen onderdelen

Zwaartekracht-afvoertoilet

Montageschroeven met sluitringen voor tank (4)

Door installateur geleverde onderdelen

Ventilatiefitting rompdoorvoer

Dokafvoerfitting

5/8 in. (16 mm) I.D. slang van afdoende kwaliteit voor sanitair op zee

1,5 in. (38 mm) I.D. slang van afdoende kwaliteit voor sanitair op zee

Roestvrijstalen bandklemmen (8)

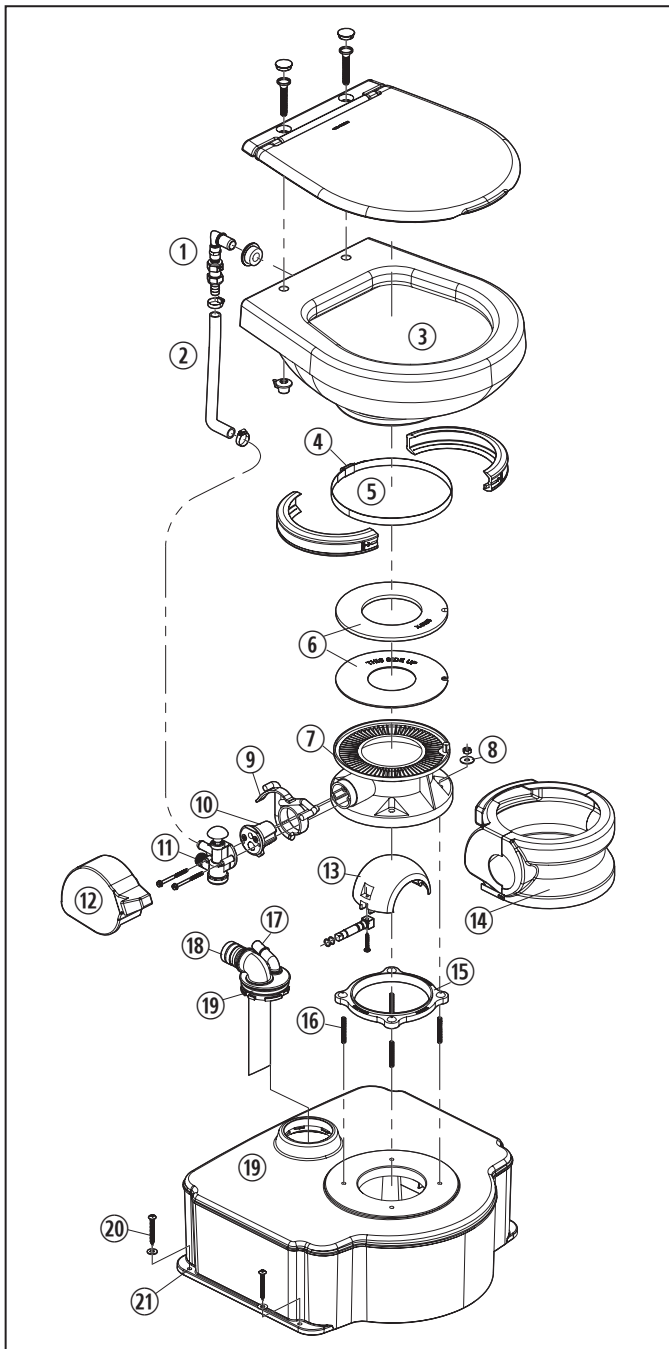
Watervoorziening

Aanbevolen gereedschap

Boormachine	Pankopschroevendraaier
Boorkop	Schroevendraaier voor bandklemmen
Markeerstift	Kruiskopschroevendraaier

3.2 Locaties onderdelen

In deze sectie worden de toiletcomponenten geïdentificeerd. De componenten kunnen enigszins variëren, afhankelijk van het model.



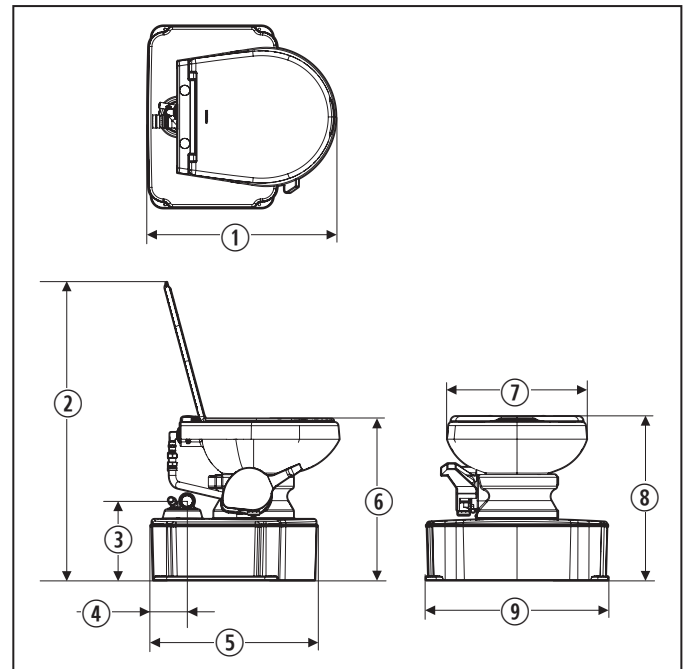
1 M65-700 onderdelen

- ① Keerklep
- ② Toevoerslang
- ③ Pot
- ④ Stelmoer bandklem
- ⑤ Bandklem basis naar pot
- ⑪ Waterklep
- ⑫ Pedaalhoes
- ⑬ Spoelbal
- ⑭ Afdekking voet
- ⑮ Afdichting vloerbasis
- ⑯ Tapeinden
- ⑰ Ventilatiefitting

- ⑥ Afdichtingen spoelbal
- ⑦ Toiletbasis
- ⑧ Montagemoeren en sluitringen toilet
- ⑨ Hendel
- ⑩ Veercartridge
- ⑱ Uitpompfitting
- ⑲ Vuilwatertank
- ⑳ Montagemoeren en sluitringen tank
- ㉑ Montagegaten tank

3.3 Afmetingen toilet

Het gedeelte geeft de afmetingen voor de M65-700 en M65-5000 toiletten.

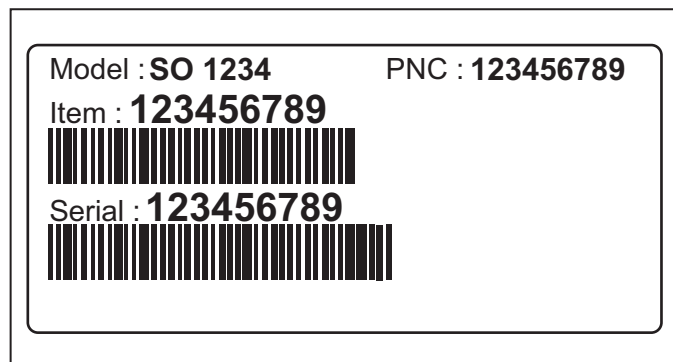


2 Afmetingen toilet

	M65-700	M65-5000
①	19,5 in. (50 cm)	19,8 in. (50 cm)
②	31,0 in. (79 cm)	33,8 in. (86 cm)
③	8,3 in. (21 cm)	8,3 in. (21 cm)
④	3,8 in. (10 cm)	3,8 in. (10 cm)
⑤	17,3 in. (44 cm)	17,3 in. (44 cm)
⑥	17,3 in. (44 cm)	18,8 in. (48 cm)
⑦	14,5 in. (37 cm)	14,8 in. (38 cm)
⑧	17,5 in. (45 cm)	19,8 in. (50 cm)
⑨	18,8 in. (48 cm)	18,8 in. (48 cm)

3.4 Identificatie model

Het modelidentificatielabel bevindt zich aan de voorkant van de basis van het toilet onder de afdekking van de voet. Zie "Locaties onderdelen" op pagina 35.



3 Modelidentificatielabel

4 Specificaties

In dit gedeelte vindt u algemene specificaties voor het toilet.

Gewicht M65-700	46 lbs (20,9 kg)
Gewicht M65-5000	49 lbs (22,2 kg)
Druk toevoer schoon water	35–40 psi
Grootte waterinlaat	0,5 in. (13 mm) NPT
Ventilatiefitting	5/8 in. (16 mm) O.D.
Uitpompfitting	1,5 in. (38 mm) O.D.
Capaciteit vuilwatertank	6,5 gal (24,6 L)
Minimaal waterverbruik per spoeling	0,1 gal (0,5 L)
Gemiddeld waterverbruik per spoeling	0,3 gal (1,0 L)

5 Pre-installatie

In dit gedeelte worden de stappen beschreven die u moet doorlopen voordat u het toilet installeert.

5.1 Voorbereiding om het toilet te installeren

1. Kies een plek in de badkamer waar het toilet goed kan werken. Zorg voor ruimte voor het doorspoelen met het pedaal en voor het optillen van de zitting en het deksel. Zie "Afmetingen toilet" op pagina 36.
2. Sluit de watertoevoer naar de locatie van het toilet af.

5.2 Een bestaand toilet verwijderen

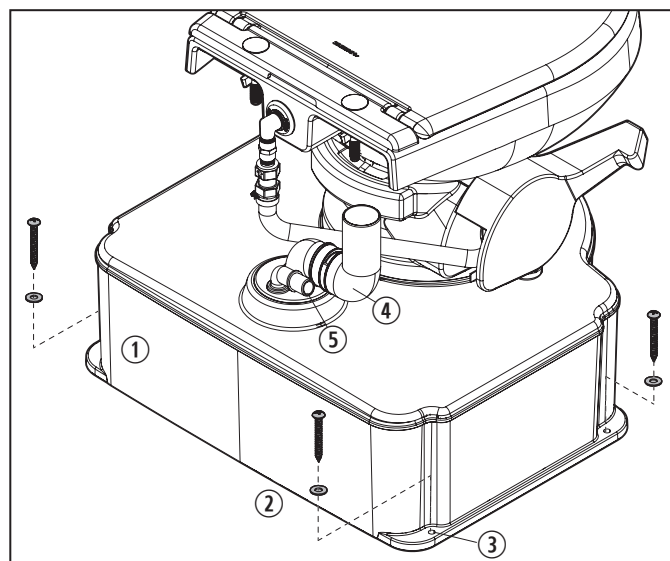
i Als er geen bestaand toilet is, ga dan naar "Installatie" op pagina 37.

1. Spoel het toilet door om het water uit de pot te laten lopen.
 - i** Houd een handdoek of ondiepe bak klaar om eventueel resterend water op te vangen.
2. Koppel de watertoevoerleiding los en laat deze leeglopen.
3. Verwijder de bevestigingsmiddelen waarmee het toilet aan de vloer is verankerd.
4. Verwijder het toilet van de vloer.
5. Gooi het toilet, de bevestigingsmiddelen en alle verwijderingsresten weg.

6 Installatie

In dit gedeelte wordt beschreven hoe u het toilet installeert.

6.1 De vuilwatertank installeren



4 De vuilwatertank plaatsen

- | | |
|--|---------------------|
| ① Vuilwatertank | ③ Montagegaten tank |
| ② Montageschroeven en sluitringen tank | ④ Uitpompfitting |
| | ⑤ Ventilatiefitting |

1. Plaats de achterkant van de vuilwatertank 0,8 in. (19 mm) van de muur.
2. Markeer de positie van de montagegaten op de vloer en verwijder vervolgens de vuilwatertank.
3. Boor een geleidegat voor elk montagegat.
4. Zet de vuilwatertank weer op zijn plaats.

- Bevestig de vuilwatertank aan de vloer met de bevestigingsschroeven en ringen van de tank.

i Draai de schroeven niet te vast.

6.2 De rompdoorvoer installeren

- De rompdoorvoer moet worden geïnstalleerd volgens de instructies van de fabrikant.

i De rompdoorvoer moet ruim boven de waterlijn en direct boven het toilet worden geplaatst.

- Voer een 5/8 in. (16 mm) I.D. kwaliteitsslang voor sanitair op zee van de rompdoorvoer-ventilatiefitting naar de ventilatiefitting op de vuilwatertank.
- Bevestig de slang aan de ventilatiefittings met twee roestvrijstalen bandklemmen bij elke aansluiting.

6.3 De dokafvoerfitting installeren

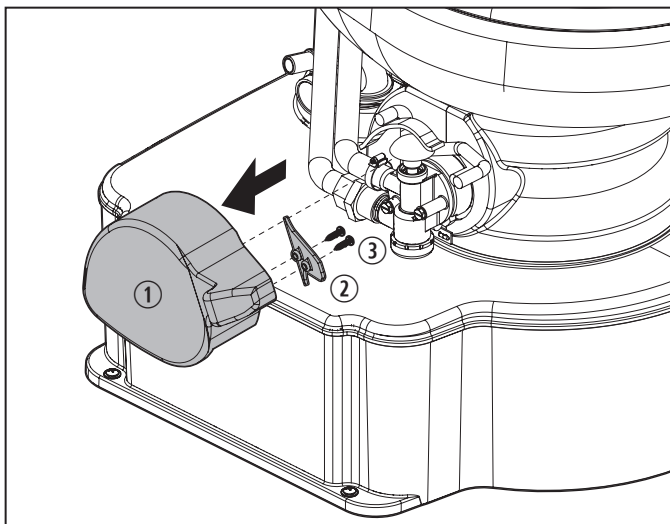
NB: De vuilwatertank op het toilet is ontworpen om stand te houden bij afvoering door een goed werkende afvoerpomp.

- Installeer de dokafvoerfitting volgens de instructies van de fabrikant.

i De dokafvoerfitting moet in het dek direct boven het toilet worden geplaatst.

- Voer een 1,5 in. (38 mm) I.D. kwaliteitsslang voor sanitair op zee van de dokafvoerfitting naar de uitpompfitting.
- Bevestig de slang aan de fittings met twee roestvrijstalen bandklemmen bij elke aansluiting.

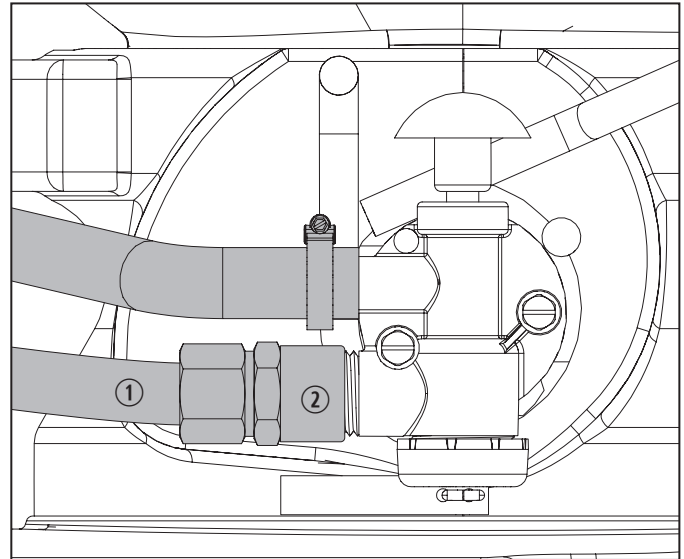
6.4 Watertoevoer aansluiten



5 Pedaalhoes verwijderen

- ① Pedaalhoes ③ Schroeven
② Achterplaat

- Verwijder de twee schroeven aan de achterkant van de pedaalhoes.
- Trek de pedaalhoes weg.



6 Verbindingen watervoorziening

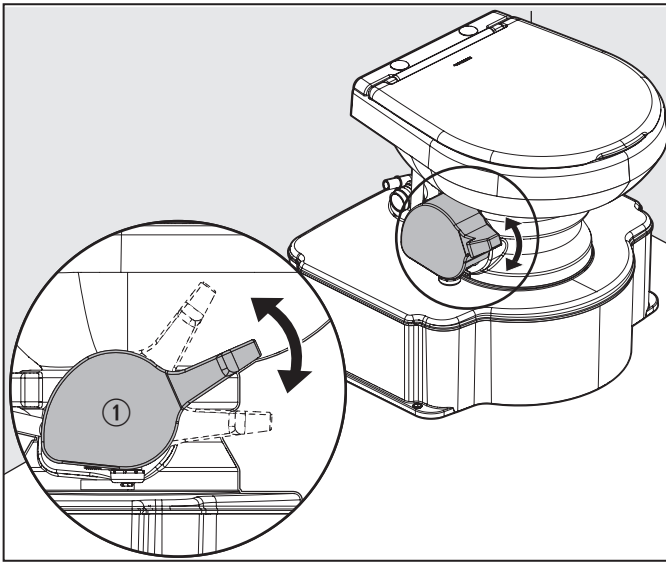
- ① Watertoevoerleiding ② Inlaatfitting

- Bevestig de watertoevoerleiding aan de inlaatfitting.
- Draai de watertoevoer open en spoel meerdere keren om te controleren op lekkage.
- Breng de pedaalhoes weer aan.
- Breng de achterplaat weer aan en zet deze vast met de schroeven.

7 Bediening

NB: Alleen water, ontlasting en snel oplosbaar toiletpapier doorspoelen. **Geen** maandverband, tampons of andere niet-oplosbare producten in het toilet gooien.

In dit gedeelte wordt beschreven hoe u het toilet bedient.



7 Pedaal gebruiken

① Pedaal

1. Om vóór gebruik water aan het toilet toe te voegen, moet u het pedaal optillen.
2. Om het toilet door te spoelen, duwt u het pedaal helemaal naar beneden totdat de ontlasting de toiletpot verlaat.

i De waterstroomdruk varieert op verschillende locaties, daarom kan het nodig zijn het pedaal 4-8 seconden ingedrukt te houden. Als u het spoelpedaal langer dan nodig ingedrukt houdt, leidt dit tot overmatig waterverbruik.

3. Laat het pedaal los door het terug te laten klikken. Er moet een kleine hoeveelheid water in de pot achterblijven.

8 Onderhoud

NB: Gebruik **geen** schurende schoonmaakmiddelen, bijtende chemicaliën of smeer- en reinigingsmiddelen die chloor, alcohol of petroleum bevatten. Deze stoffen kunnen de interne afdichtingen van het toilet beschadigen.

De onderhouds- en reinigingsinstructies in dit gedeelte moeten worden uitgevoerd met de aangegeven intervallen, of indien nodig, afhankelijk van het gebruik van het toilet.

Als het toilet niet goed wordt onderhouden, kan de garantie vervallen en kan dit leiden tot een onveilige werking. Preventief onderhoud valt niet onder de garantie.

8.1 Het toilet schoonmaken

Het toilet moet regelmatig worden schoongemaakt met een milde, niet-schurende reiniger zoals de Dometic toiletpotreiniger.

Als er duidelijk een geur aanwezig is:

1. Leeg de vuilwatertank volledig.
2. Meng 8 oz (237 ml) vloeibare biologisch afbreekbare waszeep met 5 gal (19 L) schoon water en spoel door het toilet.
 - i** Overschrijd de capaciteit van uw vuilwatertank niet. Zie "Specificaties" op pagina 37.
3. Leeg de vuilwatertank.
4. Voeg na het reinigen en om de paar dagen tijdens gebruik een geurbestrijdingsproduct toe in de hoeveelheid die is gespecificeerd voor de capaciteit van uw vuilwatertank.

8.2 Systeemonderhoud

De onderhoudsprocedures variëren en zijn afhankelijk van factoren zoals gebruiksfrequentie, kwaliteit van het spoelwater, etc. In de grafiek staat de algemene richtlijn om uw toilet altijd gebruiksklaar te houden.

Onderhoudsprocedure	Onderhoudsinterval
Controleer alle geklemde slangverbindingen	Maandelijks
Controleer de filterzeef in de waterklep	Jaarlijks
Vervang de afdichting van de spoelbal en de spoelbal (indien nodig)	Elke drie jaar


8.3 Aanbevolen reserveonderdelen

Als u een boot of ander voertuig bedient in afgelegen gebieden, zorgt u ervoor dat u de volgende reserveonderdelen op voorraad hebt zodat het toilet zonder onderbrekingen kan worden gebruikt.

- Spoelbal, schacht en veercartridgekit
- Afdichtingskit
- Waterklepkit

8.4 Het toilet winterklaar maken

Aan het einde van het seizoen moet het toilet winterklaar worden gemaakt voor de opslag.

1. Maak de vuilwatertank leeg.
2. Spoel het systeem zorgvuldig met schoon water.
3. Sluit de watervoorziening naar het toilet af.
 -  Houd een handdoek of ondiepe bak klaar om eventueel resterend water op te vangen.
4. Koppel de watertoevoerleiding los en spoel het toilet door om eventueel achtergebleven water af te voeren.
5. Maak de vuilwatertank leeg.

9 Verwijdering



Doe het verpakkingsmateriaal indien mogelijk in de daarvoor geschikte recyclingbakken. Raadpleeg een lokaal recyclingcentrum of gespecialiseerde verkoper voor informatie over hoe het product kan worden weggegooid in overeenstemming met alle van toepassing zijnde nationale en lokale regelgeving.

10 Garantiegegevens

Zie onderstaande paragrafen voor informatie over garantie en ondersteuning in de VS, Canada, Australië, Nieuw-Zeeland en alle andere regio's.

10.1 Verenigde Staten en Canada

BEPERKTE GARANTIE VAN TWEE JAAR BESCHIKBAAR OP [DOMETIC.COM/EN-US/TERMS-AND-CONDITIONS-CONSUMER/WARRANTY](https://www.dometic.com/en-us/terms-and-conditions-consumer/warranty).

MOCHT U VRAGEN HEBBEN OF EEN GRATIS KOPIE VAN DE BEPERKTE GARANTIE WILLEN VERKRIJGEN, NEEM DAN CONTACT OP MET:

DOMETIC CORPORATION
CUSTOMER SERVICE
13128 STATE ROUTE 226
BIG PRAIRIE, OH VS 44611
1-800-321-9886
011-330-439-5550

10.2 Azië-Pacific (APAC) landen

Als het product niet naar behoren werkt, neem dan contact op met uw verkoper of het filiaal van de fabrikant in uw land (zie de achterkant van deze handleiding voor de webadressen om uw regio of verkoper te vinden). De garantie die van toepassing is op uw product is twee jaar.

Stuur voor de afhandeling van reparaties of garantie volgende documenten mee:

- Een kopie van de factuur met datum van aankoop
- De reden voor de claim of een beschrijving van de fout

10.2.1 Alleen Australië

Onze goederen worden geleverd met garanties die niet kunnen worden uitgesloten onder de Australische consumentenwetgeving. U hebt recht op vervanging of terugbetaling voor een groot defect en op vergoeding van enig ander redelijkerwijs voorzienbaar verlies of schade. U heeft ook recht op reparatie of vervanging van de goederen als de goederen niet van acceptabele kwaliteit zijn en het probleem geen groot defect betreft.

10.2.2 Alleen Nieuw-Zeeland

Dit garantiebeleid is onderworpen aan de voorwaarden en garanties die verplicht zijn zoals geïmpliceerd door de Consumer Guarantees Act 1993(NZ).

10.3 Alle andere regio's

De wettelijke garantieperiode is van toepassing. Als het product defect is, neem dan contact op met het filiaal van de fabrikant in uw regio of uw winkelier (zie de achterkant van deze handleiding voor de webadressen om uw regio of winkelier te vinden).

Stuur voor de afhandeling van reparaties of garantie volgende documenten mee:

- Een kopie van de factuur met datum van aankoop
- De reden voor de claim of een beschrijving van de fout

11 Problemen oplossen

i Het wordt aanbevolen om altijd persoonlijke beschermingsmiddelen te dragen, zoals handschoenen, stofbril of veiligheidsbril, bij het onderhoud van sanitaire producten.

De volgende tabel bevat enkele van de mogelijke problemen die kunnen optreden wanneer het toilet in gebruik is, de mogelijke oorzaken van deze problemen en de aanbevolen acties die moeten worden ondernomen om de problemen te verhelpen.

Probleem	Mogelijke oorzaak	Aanbevolen oplossing
Het water blijft niet in de pot achter.	De bandklem van basis naar pot zit los.	Draai de stelmoer van de bandklem aan.
	Er is een onjuiste afdichting rond de spoelbal vanwege vuil of gruis aan de onderkant van de spoelbalafdichting.	1. Inspecteer de spoelbal en de onderkant van de spoelbalafdichting op vuil of gruis. 2. Reinig indien nodig.
	De spoelbalafdichting is versleten of beschadigd.	1. Inspecteer de spoelbalafdichting op slijtage of beschadiging. 2. Vervang de afdichting van de spoelbal indien nodig.
	Versleten of beschadigde spoelbal	1. Inspecteer de spoelbalafdichting op slijtage of beschadiging. 2. Vervang de spoelbal indien nodig.
De spoelbal sluit niet volledig.	De bandklem van basis naar pot is te strak aangedraaid en veroorzaakt te veel spanning op de spoelafdichting en spoelbal.	Draai de stelmoer van de bandklem los.
	De veercartridge is zwak of defect.	1. Trap het pedaal in en laat het dan snel los. 2. Als het pedaal niet terugklikt, vervangt u de veercartridge.
Het water blijft doorlopen in het toilet.	Er zit vuil vast in de waterklepafdichting ¹	Demonteer en reinig de waterklep.
	De hendel is naar beneden gebogen en houdt de waterklep open.	Buig de voorkant van de hendel ongeveer 0,1 inch (2 mm) omhoog.
	De waterklep is versleten of defect.	Vervang de waterklep.
	De veercartridge is zwak of defect.	1. Trap het pedaal in en laat het dan snel los. 2. Als het pedaal niet terugklikt, vervangt u de veercartridge.
Water komt niet op de juiste manier in de pot	Lage waterdruk	Controleer druk voor inkomend water. Zie "Specificaties" op pagina 37.
	Verstopte waterklep	Verwijder en reinig de filterzeef. ¹
Waterklep lekt water	Losse verbinding	Draai de bodemdop, de inlaatfitting ¹ en de bandklem van de afvoerslang vast.
	Versleten of defecte waterklep	Vervang de waterklep.
	Waterleidingaansluiting zit niet goed	1. Zorg ervoor dat de schroefdraad op de inlaatfitting niet gekruist is. 2. Zet de verbinding vast.
	Gestripte schroefdraad op de inlaatfitting	Vervang de waterklep.
	Waterklepafdichting ¹ is versleten of ontbreekt	
	Waterklepbehuizing is gebarsten	
Er lekt water uit de achterkant van de pot	Losse aansluiting watertoevoerslang	Draai de aansluitingen van de watertoevoerslang vast.
	Losse keerklep	Draai de keerklep-naar-potverbinding vast.
	Versleten of defecte keerklep	Vervang de keerklep.
	Gebarsten of defecte pot	Vervang de pot.

¹ Onderdeel van de waterklep

Sedi dei centri di assistenza e dei rivenditori

Visitate: www.dometic.com

Si prega di leggere attentamente e di seguire tutte le istruzioni, le linee guida e le avvertenze incluse in questo manuale del prodotto, al fine di garantire che il prodotto venga sempre installato, utilizzato e mantenuto nel modo corretto. Queste istruzioni DEVONO essere conservate insieme al prodotto.

Utilizzando il prodotto, l'utente conferma di aver letto attentamente tutte le istruzioni, le linee guida e le avvertenze e di aver compreso e accettato di rispettare i termini e le condizioni qui espressamente indicati. L'utente accetta di utilizzare questo prodotto solo per lo scopo e l'applicazione previsti e in conformità con le istruzioni, le linee guida e le avvertenze indicate nel presente manuale del prodotto, nonché in conformità con tutte le leggi e i regolamenti applicabili. La mancata lettura e osservanza delle istruzioni e delle avvertenze qui espressamente indicate può causare lesioni personali e a terzi, danni al prodotto o ad altre proprietà nelle vicinanze. Il presente manuale del prodotto, comprese le istruzioni, le linee guida e le avvertenze e la relativa documentazione possono essere soggetti a modifiche e aggiornamenti. Per informazioni aggiornate sul prodotto, si prega di visitare il sito www.dometic.com.

1 Spiegazione dei simboli e istruzioni per la sicurezza	42
2 Destinazione d'uso	43
3 Informazioni generali	43
4 Specifiche	45
5 Prima dell'installazione	45
6 Installazione	46
7 Funzionamento	47
8 Manutenzione	48
9 Risoluzione dei problemi	49
10 Smaltimento	50
11 Informazioni sulla garanzia	50

1 Spiegazione dei simboli e istruzioni per la sicurezza

In questo Manuale sono presenti informazioni e istruzioni sulla sicurezza, che consentono di eliminare o di ridurre il rischio di incidenti e lesioni.

1.1 Riconoscere le informazioni di sicurezza

⚠ Questo è il simbolo di allerta sicurezza. Viene utilizzato per allertare l'operatore su potenziali rischi di lesioni personali. Rispettare scrupolosamente quanto riportato nei messaggi successivi a questo simbolo per evitare lesioni o morte.

1.2 Comprendere i termini delle segnalazioni

Il termine presente nella segnalazione identifica i messaggi di sicurezza e quelli relativi al danneggiamento della proprietà, nonché indica il grado o livello di gravità del rischio.

⚠ AVVERTENZA

Indica una situazione di pericolo che, se **non** evitata, potrebbe provocare lesioni gravi o mortali.

AVVISO: Indica un riferimento a pratiche **non** correlate a lesioni personali.

i Indica informazioni aggiuntive che non sono correlate alle lesioni personali.

1.3 Istruzioni supplementari

Per limitare i rischi di incidenti e lesioni, rispettare le seguenti istruzioni prima di procedere all'installazione, all'uso o alla manutenzione di questa apparecchiatura:

- Leggere e seguire tutte le istruzioni e le informazioni relative alla sicurezza.
- Prima dell'installazione, della manutenzione e/o del funzionamento del presente prodotto, è necessario avere letto e compreso le seguenti istruzioni.
- L'installazione deve risultare conforme a tutti i codici normativi locali e nazionali applicabili.

1.4 Messaggi generici per la sicurezza

⚠ AVVERTENZA: PERICOLO DI ALLAGAMENTO.
La mancata osservanza di queste avvertenze potrebbe causare la morte o lesioni gravi:

- Se il wc è collegato a un qualsiasi raccordo passascafo, chiudere **sempre** i rubinetti di presa a mare quando il wc non viene utilizzato (anche se l'imbarcazione rimane incustodita per un breve periodo). Tutti i passeggeri **devono** essere informati su come chiudere le valvole quando il wc non viene utilizzato.

- Se il wc è collegato a qualunque raccordo passascafo, tutti i tubi flessibili **devono** essere di qualità adeguata ai sanitari marini e devono essere fissati saldamente a qualunque raccordo (ad esempio, quelli delle valvole a mare, di raccordi curvi ventilati o del wc) con due fascette stringitubo in acciaio inossidabile, per tubi flessibili a vite senza fine per ciascun collegamento. L'integrità dei vari collegamenti **deve** essere controllata regolarmente.
- Prima di installare il wc o effettuare qualunque manutenzione, assicurarsi che le valvole a mare siano in posizione chiusa o spenta (OFF).
- Se la toilette utilizza acqua dolce per lo sciacquone ed è collegata direttamente o indirettamente a un impianto idrico comunale a terra: i collegamenti dell'acqua da impianto idrico a terra **devono** essere interrotti quando l'imbarcazione non è sorvegliata (anche se per un breve periodo di tempo).
- Usare solo componenti e parti di ricambio Dometic specificamente omologati per l'uso con l'apparecchiatura.
- Evitare errori di installazione, regolazione, modifiche, assistenza o manutenzione scorretta dell'apparecchiatura. Assistenza e manutenzione **devono** essere eseguite unicamente da persona qualificata addetta all'assistenza.
- **Non** modificare in alcun modo questo prodotto. Una modifica può risultare estremamente pericolosa.

AVVISO: Non riempire troppo il serbatoio di scarico onde evitare gravi danni a tutto l'impianto sanitario.

2 Destinazione d'uso

Il wc con scarico per gravità (qui di seguito definito per brevità come il wc) è progettato e destinato all'installazione su una imbarcazione durante o dopo la produzione. Questo wc è adatto solo per l'uso e l'applicazione previsti in conformità alle presenti istruzioni.

Questo manuale fornisce le informazioni necessarie per la corretta installazione e/o il corretto utilizzo del wc. Un'installazione errata e/o un utilizzo o una manutenzione impropri comporteranno prestazioni insoddisfacenti e un possibile guasto. Il produttore non si assume alcuna responsabilità per eventuali lesioni o danni al prodotto che derivino da:

- montaggio o collegamento non corretti, compresa la sovratensione
- manutenzione non corretta o uso di ricambi diversi da quelli originali forniti dal produttore
- modifiche al prodotto senza esplicita autorizzazione del produttore
- impiego per fini diversi rispetto a quelli descritti nel presente manuale

Dometic si riserva il diritto di modificare l'aspetto e le specifiche del prodotto.

3 Informazioni generali

Questa sezione fornisce informazioni generali sul wc e sui suoi componenti e dimensioni.

i Le immagini utilizzate in questo documento sono solo a scopo di riferimento. Componenti e posizione dei componenti possono variare secondo i modelli specifici di prodotto. Le misure possono variare di $\pm 0,38$ in. (10 mm)

3.1 Utensili e materiali

Dometic raccomanda di usare i seguenti utensili e materiali per installare l'apparecchiatura.

Particolari inclusi

Wc con scarico per gravità

Viti di montaggio serbatoio e rondelle (4)

Particolari forniti dall'installatore

Raccordo di sfiato passascafo

Raccordo dello scarico alla banchina

5/8 in. (16 mm) d.i. Tubo flessibile di qualità idonea per toilette marina

1,5 in. (38 mm) d.i. Tubo flessibile di qualità idonea per toilette marina

Fascette stringitubo di acciaio inox (8)

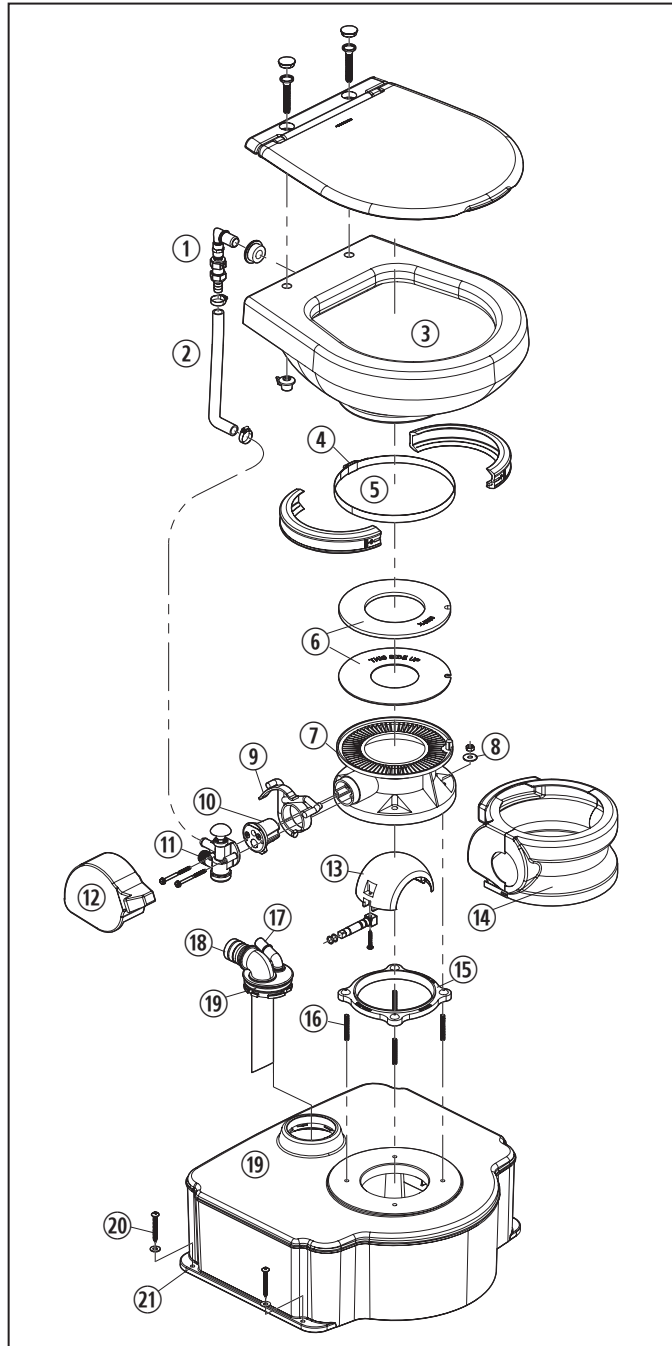
Alimentazione acqua

Utensili raccomandati

Trapano	Cacciavite a testa cilindrica
Punta per trapano	Cacciavite per fascette stringitubo
Marker	Cacciavite a stella

3.2 Posizione dei componenti

Questa sezione identifica i componenti del wc. I componenti possono variare leggermente secondo il modello.

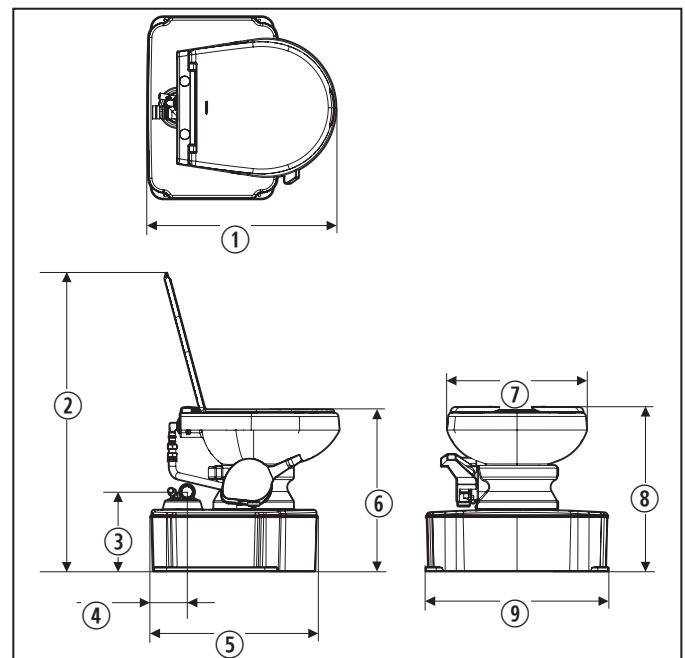


1 Componenti M65-700

- ① Valvola di intercettazione
- ② Tubo flessibile di alimentazione
- ③ Tazza
- ④ Dado di regolazione fascette stringitubo
- ⑤ Fascetta di fissaggio dalla base alla tazza
- ⑥ Guarnizioni della sfera dello sciacquone
- ⑦ Base del wc
- ⑧ Dadi e rondelle di montaggio wc
- ⑨ Leva
- ⑩ Cartuccia a molla
- ⑪ Gruppo valvola dell'acqua
- ⑫ Coperchio pedale
- ⑬ Sfera dello sciacquone
- ⑭ Rivestimento della base
- ⑮ Guarnizione base pavimento
- ⑯ Viti prigioniere
- ⑰ Raccordo di sfiato
- ⑱ Raccordo di pompaggio
- ⑲ Serbatoio di raccolta dell'acqua di scarico
- ⑳ Dadi e rondelle di montaggio serbatoio
- ㉑ Fori di montaggio serbatoio

3.3 Dimensioni del wc

Questa sezione fornisce le dimensioni dei wc M65-700 e M-65-5000.



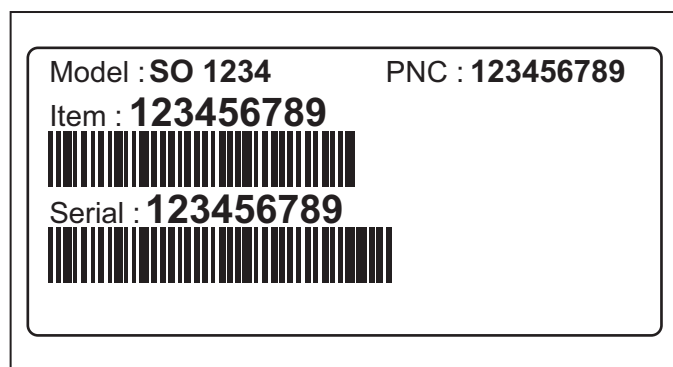
2 Dimensioni del wc

	M65-700	M65-5000
①	19,5 in. (50 cm)	19,8 in. (50 cm)
②	31,0 in. (79 cm)	33,8 in. (86 cm)

	M65-700	M65-5000
③	8,3 in. (21 cm)	8,3 in. (21 cm)
④	3,8 in. (10 cm)	3,8 in. (10 cm)
⑤	17,3 in. (44 cm)	17,3 in. (44 cm)
⑥	17,3 in. (44 cm)	18,8 in. (48 cm)
⑦	14,5 in. (37 cm)	14,8 in. (38 cm)
⑧	17,5 in. (45 cm)	19,8 in. (50 cm)
⑨	18,8 in. (48 cm)	18,8 in. (48 cm)

3.4 Identificazione del modello

L'etichetta di identificazione del modello si trova sulla parte anteriore della base del wc sotto il coperchio del piedistallo. Vedere "Posizione dei componenti" a pag 44.



3 Etichetta di identificazione del modello

4 Specifiche

Questa sezione fornisce specifiche generali per il wc.

Peso M65-700	46 lbs (20,9 kg)
Peso M65-5000	49 lbs (22,2 kg)
Pressione di alimentazione dell'acqua dolce	35-40 psi
Dimensioni ingresso acqua	0,5 in. (13 mm) NPT
Raccordo di sfiato	5/8 in. (16 mm) D.E.
Raccordo di pompaggio	1,5 in. (38 mm) D.E.
Capacità del serbatoio di raccolta	6,5 gal (24,6 L)
Consumo minimo di acqua per cacciata	0,1 gal (0,5 L)
Consumo medio di acqua per cacciata	0,3 gal (1,0 L)

5 Prima dell'installazione

Questa sezione descrive i passaggi da eseguire prima di installare il wc.

5.1 Preparazione dell'installazione del wc

1. Scegliere una posizione nella toilette dove il wc possa funzionare correttamente. Lasciare spazio per premere il pedale di cacciata e per alzare sedile e coperchio. Vedere "Dimensioni del wc" a pag 44.
2. Chiudere l'alimentazione idrica al wc.

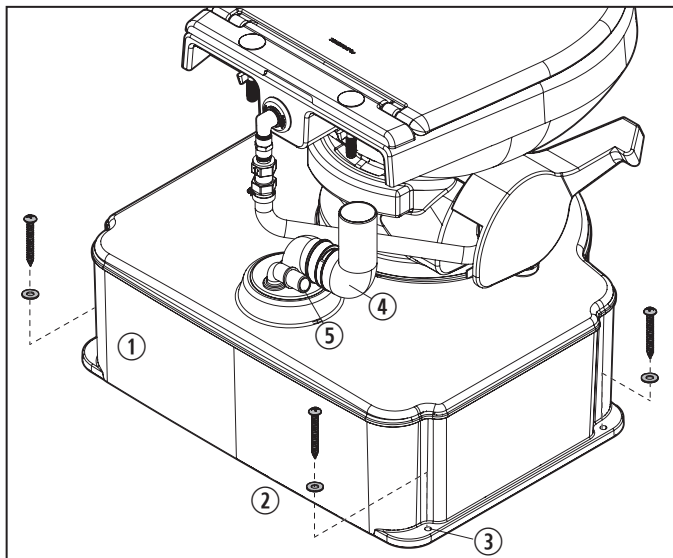
5.2 Rimozione di un wc esistente

- i** Se non c'era alcun wc prima di questo, saltare a "Installazione" a pag 46.
1. Tirare l'acqua al wc per scaricare l'acqua dalla tazza.
 - i** Tenere pronto un contenitore poco profondo o un asciugamano per raccogliere l'eventuale acqua residua.
 2. Scollegare e scaricare la linea di alimentazione dell'acqua.
 3. Rimuovere i fermi del wc al pavimento.
 4. Rimuovere il wc dal pavimento.
 5. Smaltire il wc, i fissaggi e qualsiasi detrito causato dalla rimozione.

6 Installazione

Questa sezione descrive come installare il wc.

6.1 Installazione del serbatoio di raccolta



4 Posizionamento del serbatoio di raccolta

- | | |
|--|-------------------------------|
| ① Serbatoio di raccolta | ③ Fori di montaggio serbatoio |
| ② Viti e rondelle di montaggio serbatoio | ④ Raccordo di pompaggio |
| | ⑤ Raccordo di sfiato |

1. Posizionare la parte posteriore del serbatoio di raccolta 0,8 in. (19mm) dalla parete.
2. Segnare a pavimento la posizione dei fori di montaggio, poi rimuovere il serbatoio di raccolta.
3. Praticare un foro di guida per ogni foro di montaggio.
4. Riposizionare il serbatoio di raccolta.
5. Fissare il serbatoio di raccolta al pavimento con le viti e le rondelle per il montaggio del serbatoio.

i Non serrare troppo le viti.

6.2 Installazione del raccordo passascafo

1. Installare il raccordo passascafo seguendo le istruzioni fornite dal produttore.

i Il raccordo passascafo deve essere montato ben al di sopra della linea d'acqua e direttamente al di sopra del wc.

2. Far passare un tubo flessibile da 5/8 in. (16mm) di d.i. di qualità sanitaria marina dal raccordo di sfiato passascafo al raccordo di sfiato sul serbatoio di raccolta.

3. Fissare il tubo flessibile ai raccordi di sfiato con due fascette di fissaggio in acciaio inox ad ogni punto di raccordo.

6.3 Installazione del raccordo di scarico alla banchina

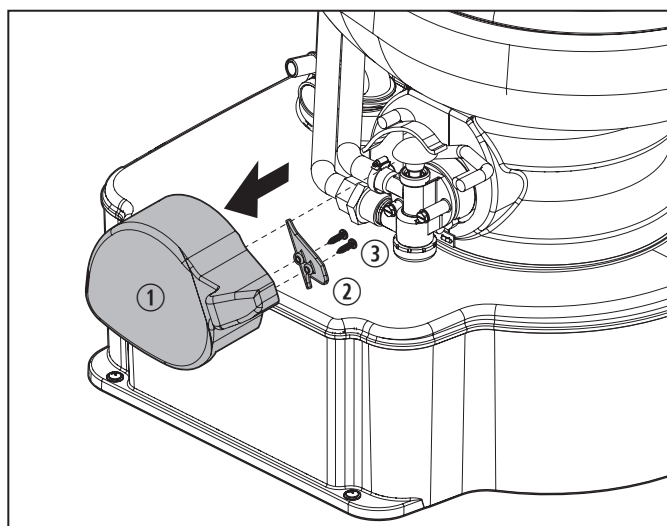
AVVISO: Il serbatoio di raccolta sul wc è studiato per resistere allo scarico effettuato da una pompa di scarico funzionante in modo adeguato.

1. Installare il raccordo di scarico alla banchina seguendo le istruzioni fornite dal produttore.

i Il raccordo di scarico alla banchina deve essere situato sul ponte direttamente al di sopra della toilette.

2. Posare un tubo flessibile da 1,5 in. (38mm) d.i. di qualità sanitaria marina dal raccordo di scarico alla banchina al raccordo di pompaggio.
3. Fissare il tubo flessibile ai raccordi con due fascette in acciaio inox ad ogni punto di raccordo.

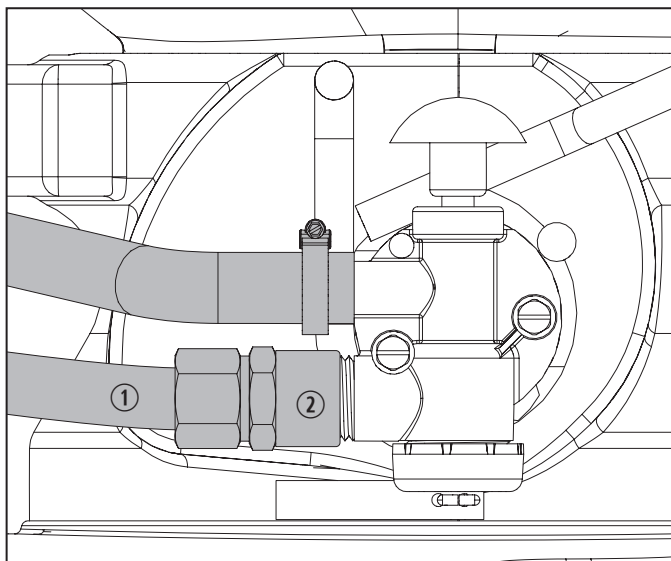
6.4 Collegamento dell'approvvigionamento di acqua



5 Rimozione del rivestimento del pedale

- | | |
|---------------------------|--------|
| ① Rivestimento del pedale | ③ Viti |
| ② Piastra posteriore | |

1. Rimuovere le due viti dalla parte posteriore del rivestimento del pedale.
2. Rimuovere il rivestimento del pedale.



6 Raccordi di alimentazione acqua

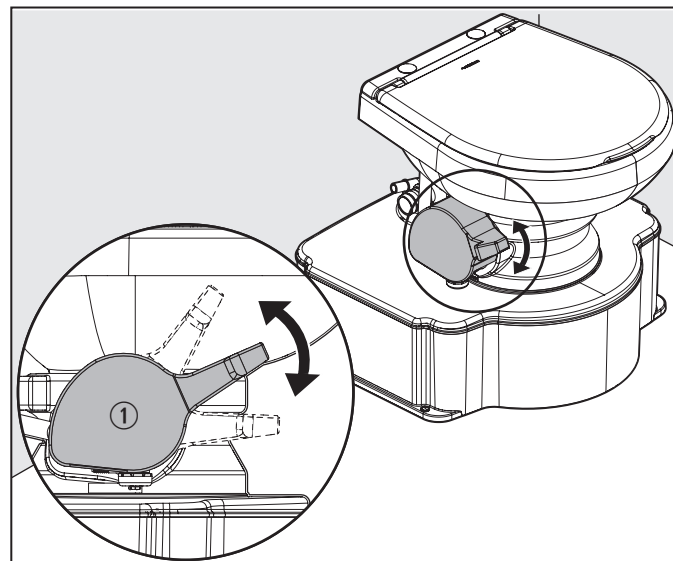
- ① Linea di alimentazione idrica ② Raccordo di ingresso idrica

3. Collegare la linea di alimentazione idrica al raccordo di ingresso.
4. Aprire l'alimentazione idrica e scaricare l'acqua dallo sciacquone più volte per verificare che non ci siano perdite.
5. Sostituire il rivestimento del pedale.
6. Sostituire la piastra posteriore e fissarla con le viti.

7 Funzionamento

AVVISO: Scaricare nel wc solo acqua, solidi e fluidi corporei e carta igienica a dissolvimento rapido. **Non** smaltire nel wc prodotti di igiene femminile o altri articoli che non si sciolgono.

Questa sezione descrive come utilizzare il wc.



7 Utilizzo del pedale

- ① Pedale

1. Per aggiungere acqua nel wc prima dell'uso, sollevare il pedale.
2. Per scaricare lo sciacquone del wc, spingere il pedale a fondo fino a quando la tazza del wc rimane priva di residui.
 - i** La pressione del flusso idrico varia secondo le località, pertanto potrebbe essere necessario di tenere il pedale premuto per 4-8 secondi. Se si terrà il pedale dello sciacquone premuto più a lungo del necessario, si sprecherà acqua.
3. Rilasciare il pedale lasciando che scatti indietro al suo posto. Deve restare nella tazza una piccola quantità d'acqua.

8 Manutenzione

AVVISO: Non utilizzare detergenti abrasivi, sostanze chimiche caustiche o lubrificanti e detergenti che contengano alcool o distillati del petrolio. Queste sostanze possono danneggiare le guarnizioni interne del wc.


Le operazioni di pulizia e manutenzione fornite in questa sezione devono essere eseguite seguendo le istruzioni agli intervalli indicati, o secondo necessità, secondo l'uso del wc.

Se il wc non venisse adeguatamente mantenuto, la garanzia potrebbe risultare nulla e il suo funzionamento potrebbe non essere più sicuro. La garanzia non copre la manutenzione preventiva.

8.1 Pulizia del wc

Il wc deve essere pulito regolarmente con un detergente delicato, non abrasivo, come il detergente per tazze WC Dometic.

In caso di evidente odore:

1. Scaricare completamente il serbatoio di raccolta.
2. Miscelare 8 oz (237ml) di sapone liquido biodegradabile per biancheria con 5 galloni (19 L) di acqua pura e scaricare la miscela attraverso il wc.
 -  Non superare la capacità del serbatoio di raccolta. Vedere "Specifiche" a pag 45.
3. Scaricare il serbatoio di raccolta.
4. Aggiungere un deodorante nella quantità specificata per la capacità del serbatoio di raccolta in questione dopo la tersione e, durante l'uso, ad intervalli regolari.

8.2 Manutenzione dell'impianto

Le procedure di manutenzione possono variare di molto e dipendono da fattori quali la frequenza d'uso, la qualità dell'acqua usata per lo sciacquone, ecc. Il diagramma fornisce linee guida generiche per mantenere il wc pronto all'uso in qualunque momento.

Procedura di manutenzione	Intervallo di manutenzione
Controllare tutti i giunti di raccordo dei tubi flessibili fascettati	Mensilmente
Controllare la griglia filtrante all'interno del gruppo valvola dell'acqua	Annualmente

Procedura di manutenzione	Intervallo di manutenzione
Sostituire la guarnizione della sfera dello sciacquone e la la sfera stessa (se occorre)	Ogni tre anni


8.3 Ricambi raccomandati

Quando si utilizza una imbarcazione o un altro veicolo in zone remote, occorre tenere a disposizione i seguenti ricambi per assicurare il funzionamento costante dell'impianto wc.

- Kit cartuccia a molla, albero e sfera sciacquone
- Kit guarnizioni
- Kit gruppo valvola dell'acqua

8.4 Preparazione del wc per l'inverno

Al termine di ogni stagione, l'impianto del wc deve essere preparato per l'immagazzinamento invernale.

1. Svuotare il serbatoio di raccolta/scarico.
2. Sciacquare accuratamente il sistema con acqua dolce.
3. Chiudere l'alimentazione dell'acqua al wc.
 -  Tenere pronto un contenitore poco profondo o un asciugamano per raccogliere l'eventuale acqua residua.
4. Scollegare la linea di alimentazione idrica e scaricare lo sciacquone per eliminare l'acqua residua.
5. Svuotare il serbatoio di raccolta/scarico.

9 Risoluzione dei problemi

i Si raccomanda di indossare sempre i dispositivi di protezione individuale, quali guanti, occhiali di protezione o di sicurezza quando si effettua l'assistenza a qualunque prodotto sanitario.

La tabella seguente elenca alcuni dei possibili problemi che si potrebbero incontrare durante l'uso del wc, le possibili cause di tali problemi e gli interventi raccomandati per porvi rimedio.

Problema	Possibile causa	Soluzione suggerita
L'acqua non rimane nella tazza.	La fascetta dalla base alla tazza è lasca.	Serrare il dado di regolazione della fascetta.
	Intorno alla sfera dello sciacquone la tenuta non è corretta, a causa di sporcizia o detriti sulla parte inferiore della guarnizione della sfera dello sciacquone.	<ol style="list-style-type: none"> 1. Ispezionare la sfera dello sciacquone e la parte inferiore della guarnizione di tenuta della sfera stessa per vedere che non ci siano detriti o sporcizia. 2. Pulire se occorre.
	La guarnizione di tenuta della sfera dello sciacquone è danneggiata.	<ol style="list-style-type: none"> 1. Verificare che la guarnizione di tenuta della sfera dello sciacquone non sia usurata o danneggiata. 2. Sostituire la guarnizione della sfera dello sciacquone, se occorre.
	Sfera dello sciacquone usurata o danneggiata	<ol style="list-style-type: none"> 1. Verificare che la guarnizione di tenuta della sfera dello sciacquone non sia usurata o danneggiata. 2. Sostituire la sfera dello sciacquone, se occorre.
La sfera dello sciacquone non chiude completamente.	La fascetta dalla base alla tazza è troppo stretta e causa eccessiva tensione alla guarnizione di tenuta e alla sfera dello sciacquone.	Allentare il dado di regolazione della fascetta.
	La cartuccia a molla è debole o difettosa.	<ol style="list-style-type: none"> 1. Premere e rilasciare rapidamente il pedale. 2. Se il pedale non scatta all'indietro, sostituire la cartuccia.
L'acqua non smette di scorrere nel wc.	C'è della sporcizia nella guarnizione di tenuta della valvola dell'acqua ¹	Smontare e pulire la valvola dell'acqua.
	La leva è piegata in giù e tiene aperta la valvola dell'acqua.	Piegare all'insù la parte anteriore della leva all'incirca di 0,1 in. (2 mm).
	La valvola dell'acqua è deteriorata o difettosa.	Sostituire il gruppo della valvola dell'acqua.
	La cartuccia a molla è debole o difettosa.	<ol style="list-style-type: none"> 1. Premere e rilasciare rapidamente il pedale. 2. Se il pedale non scatta all'indietro, sostituire la cartuccia.
L'acqua non entra in modo corretto nella tazza del wc	Pressione dell'acqua insufficiente	Controllare la pressione dell'acqua in ingresso. Vedere "Specifiche" a pag 45.
	Valvola dell'acqua intasata	Rimuovere e pulire la griglia filtrante. ¹
Perdite d'acqua dalla valvola dell'acqua.	Allacciamento lasco	Serrare il cappuccio inferiore, il raccordo di ingresso ¹ e la fascetta del flessibile di scarico.
	Valvola dell'acqua deteriorata o difettosa.	Sostituire il gruppo della valvola dell'acqua.
	Il collegamento della linea di approvvigionamento idrico non è correttamente in sede	<ol style="list-style-type: none"> 1. Assicurarsi che le filettature sul raccordo di ingresso non siano montate male. 2. Serrare il collegamento.
	Filettature danneggiate sul raccordo di ingresso	Sostituire il gruppo della valvola dell'acqua.
	La guarnizione di tenuta della valvola dell'acqua ¹ è deteriorata o assente	
	Cricche sul corpo della valvola dell'acqua	
Perdite d'acqua dalla parte posteriore della tazza	Collegamento del tubo di alimentazione dell'acqua lasco	Serrare i collegamenti del tubo di alimentazione dell'acqua.
	Gruppo valvola di intercettazione lasco	Stringere il collegamento tra la valvola di intercettazione e la tazza.
	Valvola di intercettazione difettosa o deteriorata	Sostituire il gruppo della valvola di intercettazione.
	Tazza crepata o difettosa	Sostituire la tazza.

¹ Parte del gruppo della valvola dell'acqua

10 Smaltimento



Collocare i materiali di confezionamento negli appositi contenitori per il riciclaggio, laddove possibile. Consultare il centro locale di riciclaggio o il rivenditore specializzato per informazioni su come smaltire il prodotto secondo le norme locali e nazionali applicabili.

11 Informazioni sulla garanzia

Vedere le sezioni sotto per informazioni sulla garanzia e l'assistenza in garanzia negli Stati Uniti, in Canada, Australia, Nuova Zelanda e in tutte le altre regioni.

11.1 Stati Uniti e Canada

GARANZIA LIMITATA DI DUE ANNI DISPONIBILE SU DOMETIC.COM/EN-US/TERMS-AND-CONDITIONS-CONSUMER/WARRANTY.

PER ALTRE DOMANDE O PER RICHIEDERE UNA COPIA GRATUITA DELLA DICHIARAZIONE DI GARANZIA LIMITATA, CONTATTARE:

DOMETIC CORPORATION
CUSTOMER SERVICE
13128 STATE ROUTE 226
BIG PRAIRIE, OH USA 44611
1-800-321-9886
011-330-439-5550

11.2 Paesi dell'area Asia Pacifico (APAC)

Se il prodotto non funziona come dovrebbe, contattare il proprio rivenditore o la filiale del produttore nel proprio Paese (vedere gli indirizzi web al fondo di questo manuale istruzioni per individuare la propria regione o il rivenditore). La garanzia applicabile al prodotto è di due anni.

Per la gestione della riparazione e della garanzia è necessario inviare la seguente documentazione insieme al dispositivo:

- Una copia della ricevuta con la data di acquisto
- Il motivo della richiesta o la descrizione del difetto

11.2.1 Solo per l'Australia

I nostri prodotti sono coperti da garanzie, che, secondo la Legge australiana per i consumatori, non possono essere escluse. Il cliente ha diritto a ricevere un rimborso o una sostituzione per un difetto grave e una compensazione per qualunque altra perdita o danno ragionevolmente prevedibile. Il cliente ha diritto anche a far riparare o sostituire i beni in questione, se non sono di qualità accettabile e il difetto non è grave.

11.2.2 Solo per la Nuova Zelanda

La presente politica di garanzia è soggetta alle condizioni e alle garanzie obbligatorie specificate dalla Legge relativa alle Garanzie per i consumatori del 1993 (NZ).

11.3 Tutte le altre regioni

Vale il termine di garanzia previsto dalla legge. Se il prodotto è difettoso, contattare la filiale del produttore nella propria regione o il proprio rivenditore (vedere indirizzi web al fondo di questo manuale istruzioni per identificare la propria regione o il proprio rivenditore).

Per la riparazione e il disbrigo delle condizioni di garanzia è necessario inviare la seguente documentazione:

- Una copia della ricevuta con la data di acquisto
- Il motivo della richiesta o la descrizione del difetto

Huoltokeskusten ja jälleenmyyjien sijainnit

Käy osoitteessa: www.dometic.com

Lue nämä ohjeet huolellisesti ja noudata kaikkia tämän tuotteen käyttöohjeissa annettuja ohjeita, määräyksiä ja varoituksia. Näin varmistat, että tuotteen asennus, käyttö ja huolto sujuu aina oikein. Näitä ohjeita TÄYTYY pitää tuotteen mukana.

Käyttämällä tuotetta vahvistat lukeneesi kaikki ohjeet, määräykset ja varoitukset huolellisesti ja että ymmärrät ja hyväksyt tässä annetut ehdot. Sitoudut käyttämään tuotetta ainoastaan sen käyttötarkoitukseen ja ilmoitetuissa käyttökohteissa ja noudattaen tässä tuotteen käyttöohjeessa annettuja ohjeita, määräyksiä ja varoituksia sekä voimassa olevia lakeja ja määräyksiä. Tässä annettujen ohjeiden ja varoitusten lukematta ja noudattamatta jättäminen voi johtaa omaan tai muiden loukkaantumiseen, tuotteen vaurioitumiseen tai muiden, ympärillä olevien esineiden vaurioitumiseen. Tähän tuotteen käyttöohjeeseen, ohjeisiin, määräyksiin ja varoituksiin sekä oheisdokumentteihin voidaan tehdä muutoksia ja niitä voidaan päivittää. Katso ajantasaiset tuotetiedot osoitteesta www.dometic.com.

1	Symbolien selityksen ja turvallisuusohjeita.	51
2	Käyttötarkoitus	52
3	Yleisiä tietoja	52
4	Tekniset tiedot	54
5	Esiasennus	54
6	Asennus	55
7	Käyttö	56
8	Vianmääritys	57
9	Huolto	58
10	Hävittäminen	58
11	Takuutiedot	59

1 Symbolien selityksen ja turvallisuusohjeita

Tämä käyttöopas sisältää turvallisuustietoja ja ohjeita, joita noudattamalla voit vähentää onnettomuuksien ja tapaturmien riskiä.

1.1 Tunnista turvallisuustiedot

! Tämä on turvallisuushälytyksen symboli. Sitä käytetään kertomaan sinulle mahdollisista fyysisten tapaturmien vaaroista. Noudata kaikkia tätä symbolia seuraavia turvallisuusviestejä välttääksesi tapaturman tai kuoleman.

1.2 Ymmärrä merkkisanat

Merkkisana tunnistaa turvallisuusviestejä ja omaisuusvahinkoihin liittyviä viestejä ja osoittaa lisäksi vaaratekijän vakavuusasteen.

! VAROITUS

viittaavat vaaralliseen tilanteeseen, joka voi johtaa kuolemaan tai vakavaan loukkaantumiseen, jos ohjeita **ei** noudateta.

HUOMAUTUS: Käytetään käsittelemään käytäntöjä, jotka **eivät** liity fyysiseen tapaturmaan.

i Osoittaa lisätietoja, jotka eivät liity fyysiseen tapaturmaan.

1.3 Täydentävät ohjeistukset

Onnettomuus- ja tapaturmariskien vähentämiseksi noudata seuraavia ohjeita, ennen kuin asennat laitteen tai käytät tai huollat sitä:

- Lue kaikki turvallisuuteen liittyvät tiedot ja ohjeet ja noudata niitä.
- Lue ja ymmärrä nämä ohjeet ennen tämän tuotteen asentamista, käyttöä tai huoltoa.
- Asennuksessa on noudatettava kaikkia voimassa olevia paikallisia tai kansallisia määräyksiä.

1.4 Yleisiä turvallisuusviestejä

! **VAROITUS: TULVIMISVAARA.** Seuraavien varoitusten laiminlyönti voi johtaa kuolemaan tai vakavaan tapaturmaan:

- Jos WC on liitetty yhteenkään runkoläpivientiin, sulje runkoventtiilit **aina**, kun WC ei ole käytössä (vaikka vene olisi valvomatta vain lyhyen ajan). Kaikille matkustajille **täytyy** opettaa, miten venttiilit suljetaan, kun WC ei ole käytössä.

- Jos WC on yhdistetty yhteenkään runkoläpiviintiin, kaikkien joustavien letkujen **täytyy** olla venesaneiteettilaatua ja niiden kiinnitys kaikkiin liitoskappaleisiin (kuten runkoventtiiliin, ilmaavaan silmukkaan tai WC:hen) täytyy varmistaa kahdella ruostumattomasta teräksestä valmistetulla, ruuvikiristeisellä letkuklemmarilla. Liitosten kunto **täytyy** tarkistaa säännöllisesti.
- Varmista, että runkoventtiilit ovat suljettuina tai off-asennossa, ennen WC:n asentamista tai huoltotöiden tekemistä.
- Jos wc käyttää raikasvettä huuhteluun ja on kytketty suoraan tai epäsuoraan rannan kunnalliseen vedenjakeluun, rannanpuolen liitännät on **kytkettävä** irti, jos vene on valvomatta (vaikka vene olisi valvomatta vain lyhyen ajan).
- Käytä vain Dometic-varaosia ja -komponentteja, jotka on erityisesti hyväksytty käyttöön laitteen kanssa.
- Vältä laitteen vääriä asennusta, säätämistä, muutoksia, huoltoa tai kunnossapitoa. Huollon ja kunnossapidon saa tehdä **vain** pätevä huoltoteknikko.
- **Älä** muuttele tätä tuotetta millään tavalla. Muutokset voivat olla erittäin vaarallisia.

HUOMAUTUS: Älä ylitäytä keräyssäiliötä, koska se voi vaurioittaa saniteettijärjestelmää.

2 Käyttötarkoitus

Painovoimakäyttöinen WC (tästä eteenpäin WC) on suunniteltu ja tarkoitettu asennettavaksi veneeseen valmistuksen aikana tai sen jälkeen. Tämä WC soveltuu ainoastaan näissä ohjeissa ilmoitettuun käyttötarkoitukseen ja käyttökohteeseen.

Näistä ohjeista saat WC:n asianmukaiseen asennukseen ja/tai käyttöön tarvittavat tiedot. Väärin tehdyn asennuksen ja/tai väärän käyttötavan tai vääränlaisen huollon seurauksena laite ei toimi tyydyttävästi, ja se saattaa mennä epäkuntoon. Valmistaja ei ota vastuuta tapaturmista tai tuotevaurioista, jotka johtuvat seuraavista:

- Väärin tehty kokoaminen tai sähköliitäntä, ylijännite mukaan lukien
- Väärin tehty huolto tai muiden kuin valmistajalta saatavien alkuperäisten varaosien käyttö
- Tuotteeseen ilman valmistajan nimenomaista lupaa tehdyt muutokset
- Käyttö muuhun kuin tässä ohjeessa ilmoitettuun tarkoitukseen

Dometic pidättää itsellään oikeuden muutoksiin tuotteen ulkonäössä ja spesifikaatioissa.

3 Yleisiä tietoja

Tässä osiossa esitetään yleisiä tietoja WC:stä ja sen komponenteista sekä mitoista.

- i** Tässä asiakirjassa käytetyt kuvat on tarkoitettu vain viitteellisiksi. Komponentit ja niiden sijainnit voivat vaihdella kulloisenkin tuotemallin mukaan. Mitat voivat vaihdella ± 10 mm (0,38") verran.

3.1 Työkalut ja materiaalit

Dometic suosittelee, että seuraavia työkaluja ja materiaaleja käytetään laitteen asennuksessa.

Mukana toimitettavat osat

Painovoimaan perustuva WC

Säiliön kiinnitysruuvit ja aluslevyt (4)

Asentajan toimittamat osat

Tuuletusliitin läpiviennillä

Laituripuolen tyhjennysliitin

16 mm (5/8") sisähalk. Venesaneiteettilaatuinen letku

38 mm. (1,5") Venesaneiteettilaatuinen letku

Vannepuristimet ruostumatonta terästä (8)

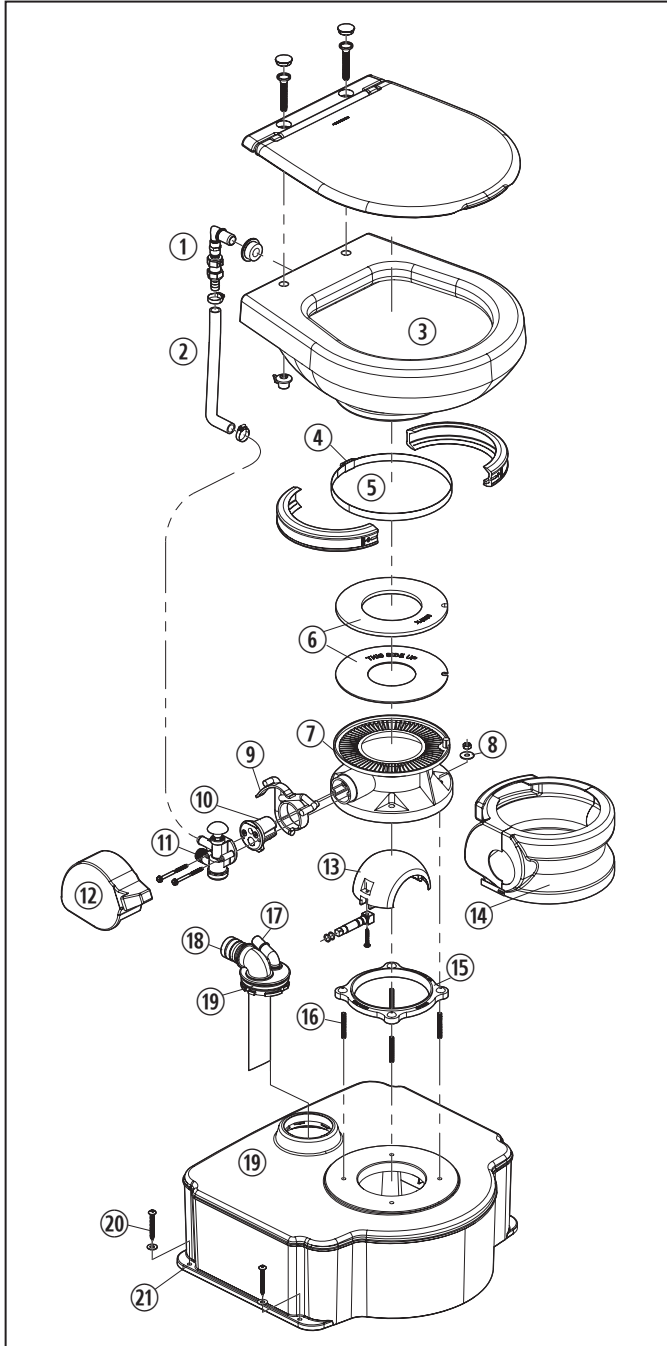
Vedensyöttö

Suosittelut työkalut

Porakone	Ruuviavain kupukantaruuveja varten
Poranterä	Ruuviavain vannepuristimia varten
Markkerikynä	Phillips-kärkinen ruuviavain

3.2 Komponenttien sijainnit

Tässä osiossa esitetään WC:n komponentit. Komponentit voivat vaihdella hieman mallista riippuen.

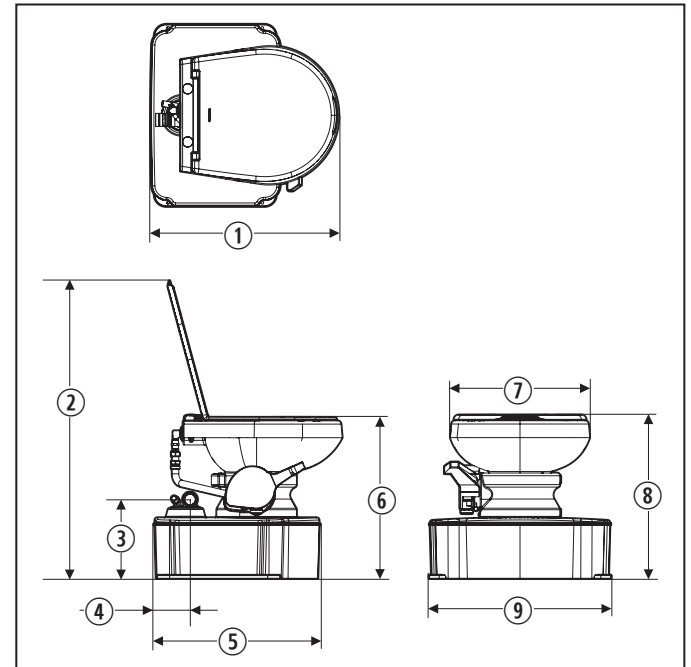


1 M65-700 komponentit

- ① Tarkistusventtiili
- ② Tuloletku
- ③ Pytty
- ④ Vannepuristimen säätömutteri
- ⑤ Pohjan ja pytyn välinen vannepuristin
- ⑥ Huuhtelupallon tiivisteet
- ⑦ WC:n tyviosa
- ⑧ WC:n kiinnittysmutterit ja aluslevyt
- ⑨ Vipu
- ⑩ Jousipatruuna
- ⑪ Vesiventtiilin kokoonpano
- ⑫ Poljinkansi
- ⑬ Huuhtelupallo
- ⑭ Jalustan suojus
- ⑮ Lattiatiiviste
- ⑯ Tapit
- ⑰ Tuuletusliitin
- ⑱ Ulospumppausliitin
- ⑲ Keräyssäiliö
- ⑳ Säiliön kiinnitysruuvit ja aluslevyt
- ㉑ Säiliön kiinnitysreiät

3.3 WC:n mitat

Tässä osiossa esitetään WC:iden M65-700 ja M65-5000 mitat.



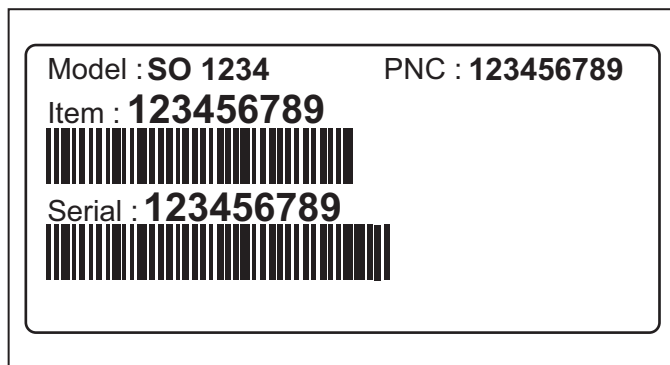
2 WC:n mitat

	M65-700	M65-5000
①	50 cm (19,5")	50 cm (19,8")
②	79 cm (31,0")	86 cm (33,8")
③	21 cm (8,3")	21 cm (8,3")

	M65-700	M65-5000
④	10 cm (3,8")	10 cm (3,8")
⑤	44 cm (17,3")	44 cm (17,3")
⑥	44 cm (17,3")	48 cm (18,8")
⑦	37 cm (14,5")	38 cm (14,8")
⑧	45 cm (17,5")	50 cm (19,8")
⑨	48 cm (18,8")	48 cm (18,8")

3.4 Mallin tunniste

Mallin tunnistemerkintä sijaitsee WC:n tyven etuosassa jalustan suojuksen alla. Katso "Komponenttien sijainnit" sivulla 53.



3 Mallin tunnistenumero

4 Tekniset tiedot

Tässä osiossa esitetään WC:n yleiset tekniset tiedot.

Paino M65-700	20,9 kg (46 lbs)
Paino M65-5000	22,2 kg (49 lbs)
Raikasvesisyötön paine	35–40 psi
Veden tuloaukon koko	13 mm (0,5") NPT
Tuuletusliitin	16 mm (5/8") ulkohalk.
Ulospumppausliitin	38 mm. (1,5") ulkohalk.
Keräyssäiliön tilavuus	24,6 l (6,5 gal)
Minimivedenkulutus per huuhtelu	0.5 l (0,1 gal)
Keskimääräinen vedenkulutus per huuhtelu	1,0 l (0,3 gal)

5 Esiasennus

Tässä osiossa kuvataan vaiheet, jotka tulee suorittaa ennen WC:n asennusta.

5.1 WC:n asennuksen valmistelu

1. Valitse kylpyhuoneessa kohta, jossa WC voi toimia kunnolla. Jätä tilaa polkimella huuhtelua sekä istuimen ja kannen nostamista varten. Katso "WC:n mitat" sivulla 53.
2. Käännä WC:n vesisyöttö pois päältä.

5.2 Olemassa olevan WC:n poistaminen

i Jos vanhaa WC:tä ei ole, ohita kohtaan "Asennus" sivulla 55.

1. Huuhtele WC veden poistamiseksi pytystä.

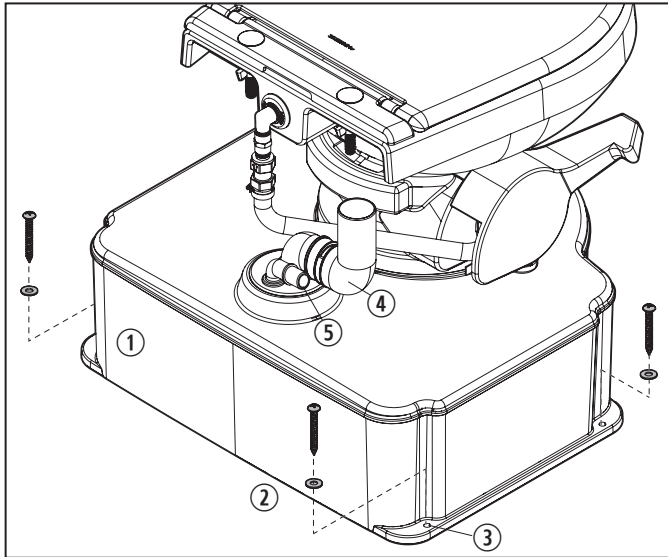
i Pidä pyyhe tai matala astia valmiina keräämään mahdollinen ylimääräinen vesi.

2. Kytke irti ja kuivaa veden tulolinja.
3. Poista kiinnikkeet, jotka pitävät WC:tä kiinni lattiassa.
4. Poista WC lattialta.
5. Hävitä WC, kiinnikkeet ja mahdolliset purkamisesta tulleet roskat.

6 Asennus

Tässä osiossa kuvataan, miten WC asennetaan.

6.1 Keräyssäiliön asennus



4 Keräyssäiliön sijoitus

- | | |
|--|--------------------------|
| ① Keräyssäiliö | ③ Säiliön kiinnitysreiät |
| ② Säiliön kiinnitysruuvit ja aluslevyt | ④ Ulospumppausliitin |
| | ⑤ Tuuletusliitin |

- Sijoita keräyssäiliön takaosa 19 mm (0,8") päähän seinästä.
- Merkitse kiinnitysreikien sijainti lattiaan, poista sitten keräyssäiliö.
- Poraa ohjausreikä kullekin kiinnitysreiälle.
- Siirrä keräyssäiliö takaisin paikalleen.
- Kiinnitä keräyssäiliö lattiaan säiliön kiinnitysruuveilla ja aluslevyillä.

i Älä kiristä ruuveja liian kireälle.

6.2 Rungon läpiviennin asentaminen

- Asenna läpivienti valmistajan ohjeiden mukaisesti.

i Läpiviennin tulee sijaita reilusta vesirajan yläpuolella ja heti WC:n päällä.

- Vie 16 mm (5/8") sisähalk. venesanteettilaadun letku läpivientiaukosta keräyssäiliössä olevaan tuuletusliittimeen.

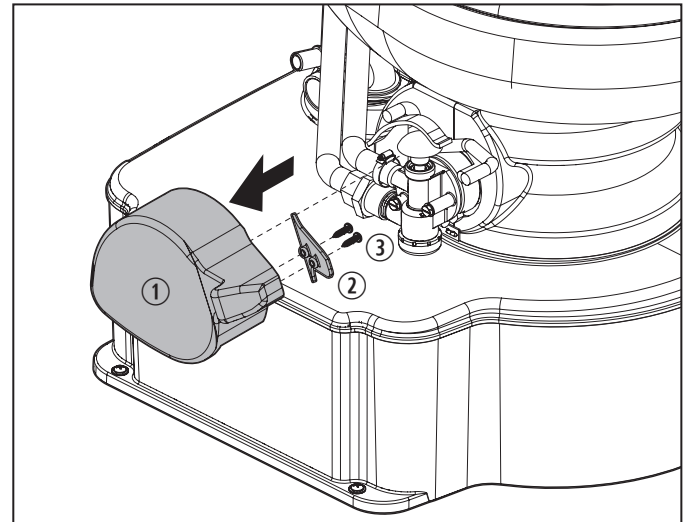
- Kiinnitä letku tuuletusliittimiin kahdella ruostumattomasta teräksestä tehdyllä vannekiristimellä kussakin liittimessä.

6.3 Laituripuolen tyhjennysliittimen asennus

HUOMAUTUS: WC:n keräyssäiliö on suunniteltu kestämään tyhjennyksen oikein toimivan tyhjennyspumppun avulla.

- Asenna laituripuolen tyhjennyskiinnitys valmistajan ohjeiden mukaisesti.
 - i** Laituripuolen tyhjennysliittimen tulee sijaita kannella heti WC:n yläpuolella.
- Vie 38 mm (1,5") sisähalk. venesanteettilaadun letku laituripuolen tyhjennysliittimestä poispumppausliittimeen.
- Kiinnitä letku liittimiin kahdella ruostumattomasta teräksestä tehdyllä vannekiristimellä kussakin liittimessä.

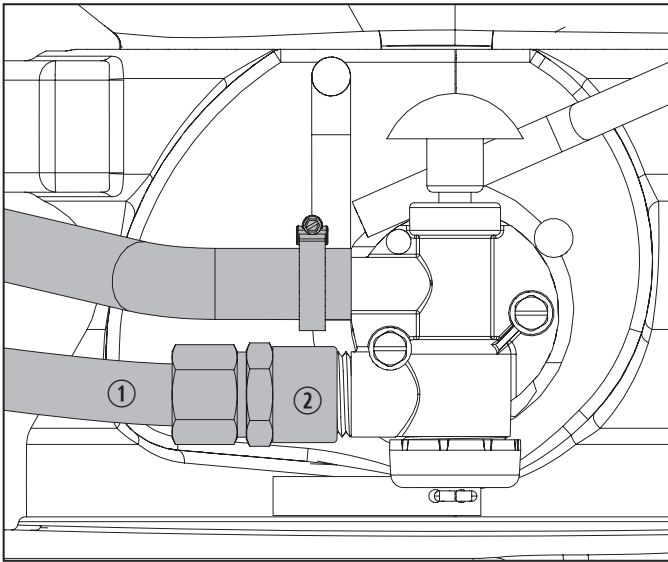
6.4 Vedensyötön liittäminen



5 Poljinkannen poistaminen

- | | |
|---------------|----------|
| ① Poljinkansi | ③ Ruuvit |
| ② Takalevy | |

- Poista kaksi ruuvia poljinkannen takaosasta.
- Vedä poljinkansi pois.



6 Vedensyötön liittämät

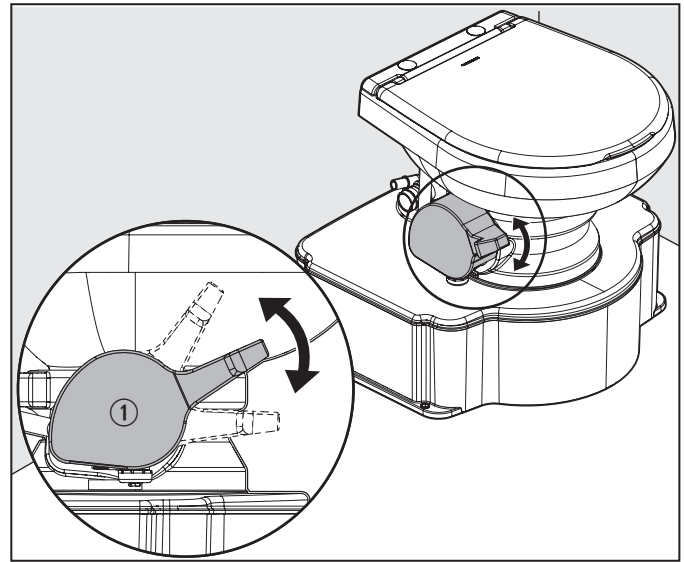
- ① Vedensyötön linja ② Tuloliitäntä

- Kiinnitä vedensyötön linja tuloliitäntään.
- Kytke vedentulo päälle ja huuhtele useita kertoja tarkistaaksesi mahdolliset vuodot.
- Palauta poljinkansi paikalleen.
- Palauta takalevy paikalleen ja kiinnitä kahdella ruuvilla.

7 Käyttö

HUOMAUTUS: Huuhtele alas vain vettä, eritteitä ja nopeasti hajoavaa WC-paperia. **Älä** hävitä naisten hygienia tuotteita tai muita liukenemattomia esineitä WC:hen.

Tässä osiossa kuvataan, miten WC:tä käytetään.



7 Polkimen käyttö

- ① Poljin

- Lisää vettä WC:hen ennen käyttöä nostamalla poljinta.
- WC huuhdellaan painamalla poljin aivan alas, kunnes jätteet poistuvat WC-pytystä.

i Veden virtauspaineet vaihtelevat eri paikoissa, siksi voi olla tarpeen pitää poljinta painettuna 4–8 sekuntia. Huuhtelupolkimen pitäminen painettuna kauemmin kuin on tarpeen tuhlaa liian paljon vettä.

- Päästä irti polkimesta antamalla sen palautua paikalleen. Pieni määrä vettä tulisi pysyä pytyssä.

8 Vianmääritys

i On suositeltavaa käyttää aina suojarusteita, kuten käsineitä, näkösuojainta tai turvalaseja, kun mitä tahansa saniteettituotteita huolletaan.

Seuraavassa taulukossa luetellaan eräitä mahdollisia ongelmia, joita saattaa esiintyä WC:n käytössä, näiden ongelmien mahdolliset syyt sekä suositellut toimet, jotka tulee toteuttaa ongelmien korjaamiseksi.

Ongelma	Mahdollinen syy	Suosittelut ratkaisu
Vesi ei pysy pytyssä.	Pytyn vannekiristimen tyvi on löysällä.	Kiristä vannepuristimen säätömutteria.
	Huuhtelupallon ympärillä on huono tiivistys johtuen liasta tai roskista huuhtelupallon tiivisteeseen alapuolella.	1. Tarkasta huuhtelupallo ja huuhtelupallon tiivisteeseen alapinta lian tai roskien varalta. 2. Puhdista tarvittaessa.
	Huuhtelupallon tiivisten on kulunut tai vioittunut.	1. Tarkasta huuhtelupallon tiiviste kulumisen tai vaurioiden varalta. 2. Vaihda huuhtelupallon tiiviste tarvittaessa.
	Kulunut tai vioittunut huuhtelupallo	1. Tarkasta huuhtelupallo kulumisen tai vaurioiden varalta. 2. Vaihda huuhtelupallo tarvittaessa.
Huuhtelupallo ei sulkeudu kokonaan.	Pytyn vannekiristimen tyvi on liian kireällä ja luo liian paljon jännitystä huuhtelutiivisteeseen ja huuhtelupalloon.	Löysää vannepuristimen säätömutteria.
	Jousipatruuna on heikko tai viallinen.	1. Paina polkimesta ja päästä sitten nopeasti irti. 2. Jos poljin ei napsahda takaisin, vaihda jousipatruuna.
Veden tulo ei lakkaa WC:ssä.	Likaa on päässyt vesiventtiilin tiivisteeseen ¹	Pura ja puhdista vesiventtiili.
	Vipu on taipunut alas ja pitää vesiventtiiliä auki.	Taivuta vivun etuosaa ylös noin 2 mm (0,1") verran.
	Vesiventtiili on kulunut tai viallinen.	Vaihda vesiventtiilin kokoonpano.
	Jousipatruuna on heikko tai viallinen.	1. Paina polkimesta ja päästä sitten nopeasti irti. 2. Jos poljin ei napsahda takaisin, vaihda jousipatruuna.
Vesi ei tule pytty kunnolla	Alhainen vedenpaine	Tarkista tuloveden paine. Katso "Tekniset tiedot" sivulla 54.
	Vesiventtiili tukossa	Poista ja puhdista suodatinritilä. ¹
Vettä vuotaa vesiventtiilistä	Irrallinen liitäntä	Kiristä pohjakorkkia, tuloveden sovitetta ¹ ja tyhjennysletkun vannekiristintä.
	Kulunut tai viallinen vesiventtiili	Vaihda vesiventtiilin kokoonpano.
	Vesilinjan liitäntä ei ole kunnolla paikallaan	1. Varmista, että tulosovitteen kierteet eivät ole pois kierteiltään. 2. Kiristä liitäntä.
	Tulosovitteen kierteet ovat irronneet	Vaihda vesiventtiilin kokoonpano.
	Vesiventtiilin tiiviste ¹ on kulunut tai puuttuu	
	Vesiventtiilin runko on haljennut	
Vettä vuotaa pytyn takaosasta	Irrallinen veden tuloletkun liitäntä	Kiristä veden tuloletkun liitännät.
	Irrallinen tarkistusventtiilin kokoonpano	Kiristä tarkistusventtiilin ja pytyn liitäntä.
	Kulunut tai viallinen tarkistusventtiili	Vaihda tarkistusventtiilin kokoonpano.
	Haljennut tai viallinen pytty	Vaihda pytty.

¹Osa vesiventtiilin kokoonpanoa

9 Huolto

HUOMAUTUS: Älä käytä hankaavia puhdistusaineita, syövyttäviä kemikaaleja tai voiteluaineita, tai puhdistusaineita, jotka sisältävät klooria, alkoholia tai petrolitisleitä. Nämä aineet voivat vaurioittaa WC:n sisätiivisteitä.


Tässä osiossa annettuja huolto- ja puhdistusohjeita tulee toteuttaa osoitetuin aikavälein tai tarpeen mukaisesti, WC:n käytöstä riippuen.

WC:n asianmukaisen ylläpidon laiminlyöminen voi mitätöidä takuun ja aiheuttaa vaarallista toimintaa. Takuu ei kata ennaltaehkäisevää kunnossapitoa.

9.1 WC:n puhdistaminen

WC tulee puhdistaa säännöllisesti miedolla, hankaamattomalla puhdistusaineella, kuten Dometic WC-pytyn puhdistusaine.

Jos tuoksuja ilmenee:

1. Tyhjennä keräyssäiliö täysin.
2. Sekoita 237 ml nestemäistä biohajoavaa pyykinpesuainetta 19 l puhdasta vettä ja ja huuhtelee WC:n läpi.
 -  Älä ylitä keräyssäiliön kapasiteettia. Katso "Tekniset tiedot" sivulla 54.
3. Tyhjennä keräyssäiliö.
4. Lisää hajunhallintatuotetta suositellun määrän mukaisesti keräyssäiliön kapasiteettiin puhdistamisen jälkeen ja muutaman päivän välein käytön aikana.

9.2 Järjestelmän kunnossapito

Kunnossapitomenettelyt vaihtelevat laajalti ja riippuvat sellaisista tekijöistä kuin käyttömäärä, huuhteluveden laatu jne. Kaaviossa annetaan yleinen ohjeistus WC:n pitämiseen aina käyttövalmiina.

Kunnossapitomenettely	Huoltoväli
Tarkasta kaikki puristettujen letkujen liitännät	Kuukausittain
Tarkasta suodatinritilä vesiventtiilin kokoonpanossa	Vuosittain
Vaihda huuhtelupallo tiiviste ja huuhtelupallo (tarvittaessa)	Kolmen vuoden välein


9.3 Suositeltavat varaosat

Kun venettä tai muuta ajoneuvoa käytetään syrjäisillä alueilla, pidä seuraavat varaosat saatavilla varmistaaksesi WC-järjestelmän jatkuvan toiminnan.

- Huuhtelupallo, varsi ja jousipatruunasarja
- Tiivistesarja
- Vesiventtiiliin kokoonpanosarja

9.4 Talvisäilytys

Kunkin sesongin päättyessä WC tulee valmistella talvisäilytykseen.

1. Tyhjennä keräyssäiliö.
2. Huuhtelee järjestelmä huolellisesti puhtaalla vedellä.
3. Kytke WC:n vesisyöttö pois päältä.
 -  Pidä pyyhe tai matala astia valmiina keräämään mahdollinen ylimääräinen vesi.
4. Irrota vedensyötön linja ja huuhtelee WC tyhjentääksesi pois loput vedet.
5. Tyhjennä keräyssäiliö.

10 Hävittäminen



Vie pakkausmateriaali mahdollisuuksien mukaan niille tarkoitettuihin kierrätysjäteastioihin. Käänny paikallisen kierrätyskeskuksen tai jälleenmyyjän puoleen saadaksesi tietoja tuotteen hävittämisestä kaikkien kansallisten ja paikallisten määräysten mukaisesti.

11 Takuutiedot

Katso Yhdysvaltojen, Kanadan, Australian, Uuden-Seelannin ja kaikkien muiden alueiden takuuta ja takuutukea koskevat tiedot alla olevista osioista.

11.1 Yhdysvallat ja Kanada

RAJOITETTU KAHDEN VUODEN TAKUU SAATAVANA OSOITTEESSA DOMETIC.COM/EN-US/TERMS-AND-CONDITIONS-CONSUMER/WARRANTY.

JOS SINULLA ON KYSYMYKSIÄ TAI JOS HALUAT SAADA ILMAISEKSI KOPION RAJOITETUSTA TAKUUSTA, OTA YHTEYTTÄ:

DOMETIC CORPORATION
CUSTOMER SERVICE
13128 STATE ROUTE 226
BIG PRAIRIE, OH USA 44611
1-800-321-9886
011-330-439-5550

11.2 Aasian ja Tyynenmeren maat (APAC)

Jos tuote ei toimi niin kuin sen pitäisi, ota yhteyttä jälleenmyyjään tai valmistajan toimistoon omassa maassasi (katso tämän käyttöoppaan takasivulta verkko-osoitteet oman alueesi tai jälleenmyyjäsi paikantamista varten). Tuotettasi koskeva takuu on kaksi vuotta.

Jos lähetät laitteen korjattavaksi, liitä korjaus- ja takuukäsittelyä varten mukaan seuraavat asiakirjat:

- Kopio kuitista, jossa näkyy ostopäivä
- Valitusperuste tai vikakuvaus

11.2.1 Vain Australia

Tuotteitamme koskevat takuut, joita ei voi sulkea pois Australian kuluttajasuojalain nojalla. Sinulla on oikeus vaihtoon tai hyvitykseen merkittävän vian vuoksi sekä korvauksiin kaikista muista kohtuullisesti ennakoitavista tappioista tai menetyksistä. Sinulla on lisäksi oikeus saada tuotteet korjattua tai vaihdettua, jos ne eivät täytä hyväksyttävää laatua ja jos vika ei muodosta merkittävää vikaa.

11.2.2 Vain Uusi-Seelanti

Tätä takuukäytäntöä koskevat ehdot ja takuut, jotka ovat pakollisia ja Consumer Guarantees Act 1993(NZ) -asetuksen antamia.

11.3 Kaikki muut alueet

Laitetta koskee lakisääteinen tuotevastuu-aika. Jos tuote on viallinen, ota yhteyttä jälleenmyyjään tai valmistajan toimistoon omassa maassasi (katso tämän käyttöoppaan takasivulta verkko-osoitteet oman alueesi tai jälleenmyyjäsi paikantamista varten).

Korjaus- ja takuukäsittelyä varten lähetä mukana seuraavat asiakirjat:

- Kopio kuitista, jossa näkyy ostopäivä
- Valitusperuste tai vikakuvaus

Servicecenter och återförsäljare

Besök: www.dometic.com

Läs och följ noggrant alla instruktioner, direktiv och varningar i den här produkthandboken för att säkerställa att du alltid installerar, använder och underhåller produkten på rätt sätt. Dessa instruktioner MÅSTE förvaras tillsammans med produkten.


Genom att använda produkten bekräftar du härmed att du noggrant har läst alla instruktioner, direktiv och varningar och att du förstår och är införstådd med att följa de villkor som anges här. Du är införstådd med att endast använda denna produkt i avsett syfte och i enlighet med instruktionerna, direktiven och varningarna som anges i denna produkthandbok samt i enlighet med alla gällande lagar och bestämmelser. Om du inte läser och följer instruktionerna och varningarna som anges här kan det leda till personskador på dig eller andra, på produkten eller annan egendom i närheten. Denna produkthandbok, inklusive instruktionerna, direktiven och varningarna samt relaterad information, kan ändras och uppdateras. Besök www.dometic.com för uppdaterad information.

1 Förklaring av symboler och säkerhetsanvisningar	60
2 Avsedd användning	61
3 Allmän Information	61
4 Specifikationer	63
5 Förinstallation	63
6 Installation	64
7 Användning	65
8 Felsökning	66
9 Underhåll	67
10 Bortskaffande	67
11 Information om garantin	68

1 Förklaring av symboler och säkerhetsanvisningar

Denna manual innehåller säkerhetsinformation och anvisningar som hjälper dig att eliminera eller minska risken för olyckor och skador.

1.1 Identifiera Säkerhetsinformation

 **Detta är varningssymbolen.** Den används för att varna dig för potentiella risker för fysiska skador. Följ alla säkerhetsmeddelanden efter denna symbol för att undvika eventuell skada eller dödsfall.


1.2 Förstå signalord

Ett signalord identifierar säkerhetsmeddelanden och skademeddelanden och indikerar farans allvarlighetsgrad.

VARNING

Anger en farlig situation som, om den **intek**an undvikas, kan leda till döden eller allvarlig personskada.

VARSEL: Används för hantering som **inte** är relaterad till fysisk skada.

 Indikerar ytterligare information som inte är relaterad till fysisk skada.

1.3 Kompletterande Anvisningar

För att minska risken för olyckor och skador, vänligen observera följande direktiv innan du fortsätter att installera, använda eller serva denna apparat:

- Läs och följ all säkerhetsinformation och instruktioner.
- Läs och förstå dessa instruktioner innan du installerar, använder eller servar denna produkt.
- Installationen måste överensstämma med alla tillämpliga lokala eller nationella regler.

1.4 Allmänna säkerhetsanvisningar

 **VARNING: ÖVERSVÄMNINGSRISK. Om man underlåter att följa följande varningarna kan följden bli dödsfall eller allvarlig personskada:**

- Om toaletten är ansluten till några avloppsanslutningar, stäng **alltid** sjökranarna när toaletten inte används (även om båten är obevakad en kort period). Alla som befinner sig ombord **måste** instrueras om hur man stänger bottenventilerna när toaletten inte används.
- Om toaletten är ansluten till några avloppsanslutningar **måste** alla flexibla slangar vara av marin sanitetskvalitet och fästas vid några kopplingar (t.ex. vid sjökranen eller toaletten) med två rostfria, skruvdrivna slangbandsklämmor på varje anslutning. Anslutningarna **måste** kontrolleras ofta.
- Se till att sjökranarna är i stängt eller avstängt läge innan du installerar toaletten eller utför något underhåll.
- Om toaletten använder färskvatten för spolning och är när som helst, direkt eller indirekt, ansluten till ett kommunalt vattensystem vid stranden, **måste** vattenanslutningarna till stranden kopplas bort om båten lämnas obevakad (även om båten endast är obevakad under en kort period).

- Använd endast Dometic reservdelar och komponenter som är specifikt godkända för användning med apparaten.
- Undvik felaktig installation, justering, ändringar, service eller underhåll av apparaten. Service och underhåll **får** endast utföras av en kvalificerad servicepersonal.
- Ändra **inte** denna produkt på något sätt. Ändringar kan vara extremt farliga.

VARSEL: Överfyll **inte** avloppstanken, detta kan orsaka allvarliga skador på sanitetssystemet.

2 Avsedd användning

Gravity-avloppstolett (nedan kallad toalett) är designad och avsedd för installation i båt under eller efter tillverkning. Den här toaletten lämpar sig endast för avsedd användning i enlighet med dessa instruktioner.

Den här manualen informerar om vad som krävs för att installera och/eller använda toaletten på rätt sätt. Felaktig installation och/eller användning eller felaktigt underhåll kommer leda till att produkten inte fungerar optimalt och riskerar att gå sönder. Tillverkaren tar inget ansvar för personskador eller materiella skador på produkten som uppstår till följd av:

- Felaktig montering eller anslutning, inklusive för hög spänning
- Felaktigt underhåll eller användning av reservdelar som inte är originaldelar från tillverkaren
- Ändringar som utförts utan uttryckligt medgivande från tillverkaren
- Användning för andra ändamål än de som beskrivs i denna bruksanvisning

Dometic förbehåller sig rätten att ändra produktens utseende och specifikationer.

3 Allmän Information

Detta avsnitt ger allmän information om toaletten och dess komponenter och mått.

i Bilderna som används i detta dokument är endast för referensändamål. Komponenter och komponentplaceringar kan variera beroende på specifika produktmodeller. Måtten kan variera $\pm 0,38$ tum. (10 mm).

3.1 Verktyg och material

Dometic rekommenderar att följande verktyg och material används vid installation av apparaten.

Delar som ingår

Gravity-avloppstolett

Tankmonteringsskruvar med brickor (4)

Installatörslevererade delar

Utloppsanslutning för ventilation

Utloppsanslutning (hamn)

5/8 tum (16 mm) I.D. Marin sanitetkvalitetsslang

1,5 tum (38 mm) I.D. Marin sanitetkvalitetsslang

Rostfria stålbandsklämmor (8)

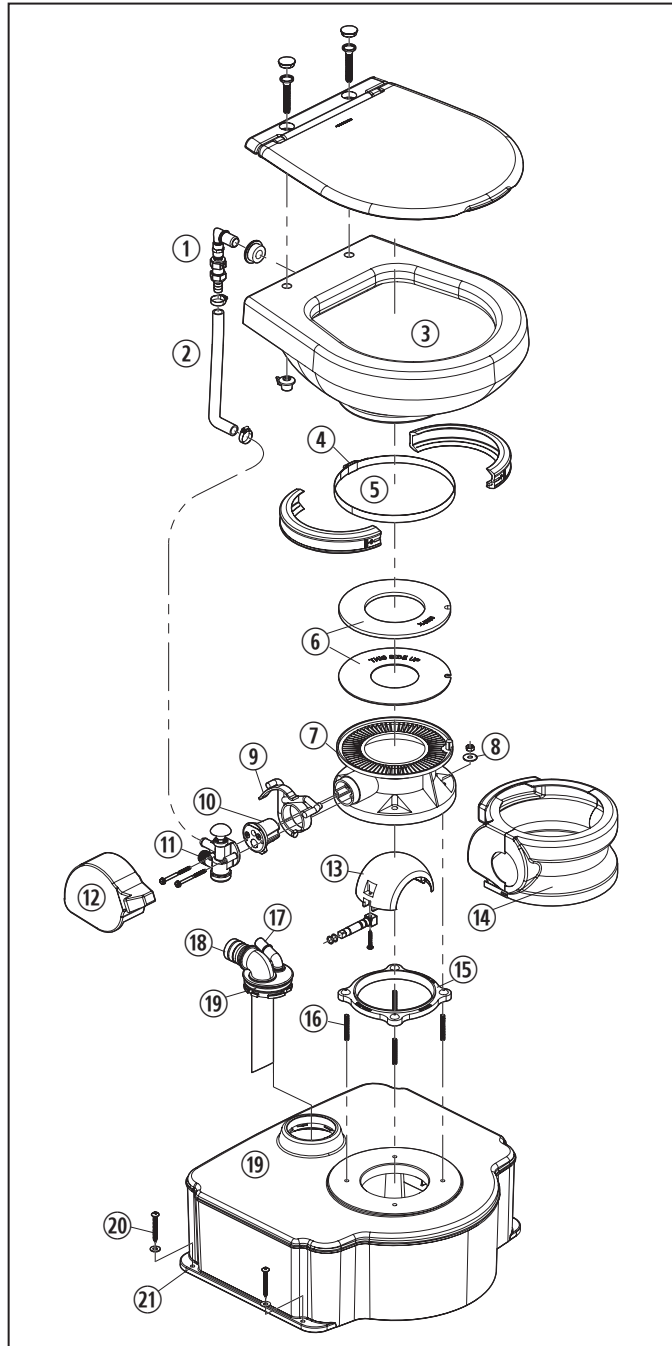
Vattenförsörjning

Rekommenderade verktyg

Borrmaskin	Skruvmejsel med koniskt huvud
Borrskär	Skruvmejsel för bandklämmor
Markör	Stjärnskruvmejsel

3.2 Komponentplatser

I det här avsnittet identifieras toalettkomponenterna. Komponenterna kan variera något beroende på modellen.

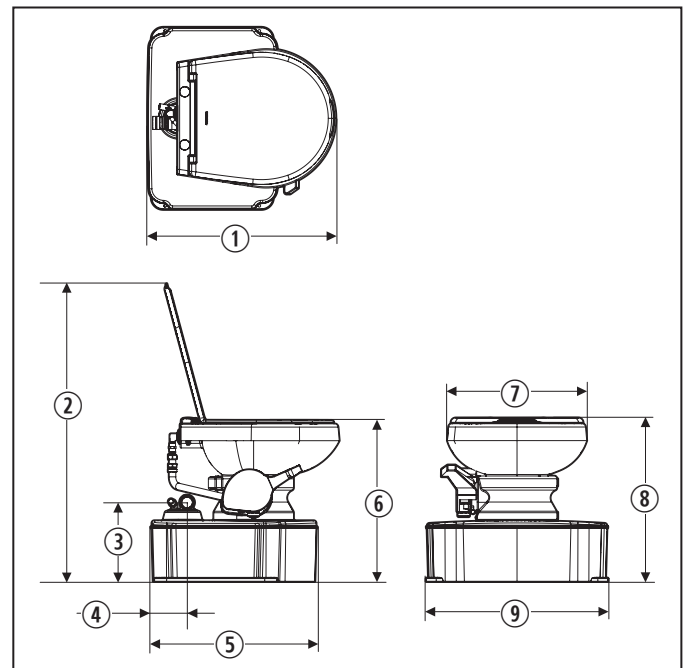


1 M65-700 Komponenter

- ① Kontrollventil
- ② Försörjningsslang
- ③ Skål
- ④ Justermutter för bandklämma
- ⑤ Bandklämma för bas till skål
- ⑥ Spolbollstätningar
- ⑦ Toalettbas
- ⑧ Monteringsmuttrar och bricker för toalett
- ⑨ Spak
- ⑩ Fjäderpatron
- ⑪ Vattenventilfäste
- ⑫ Pedalskydd
- ⑬ Spolboll
- ⑭ Sockelkåpa
- ⑮ Tätning för golvbas
- ⑯ Pinnbultar
- ⑰ Ventilationsfäste
- ⑱ Pumputloppsfaste
- ⑲ Smutsvattentank
- ⑳ Monteringskruvar för tank och bricker
- ㉑ Tankmonteringshål

3.3 Toalettmått

I det här avsnittet presenteras dimensionerna för toalettarna M65-700 och M65-5000.



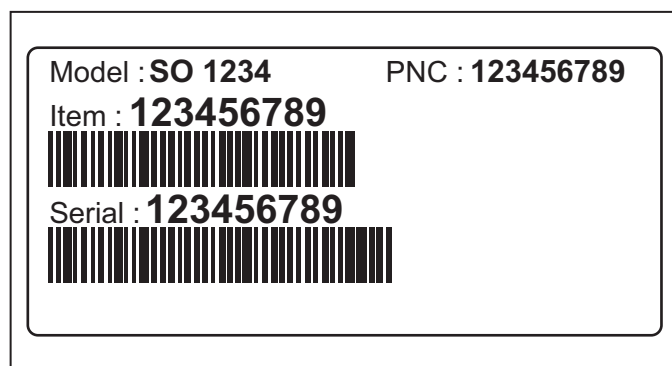
2 Toalettmått

	M65-700	M65-5000
①	19,5 tum (50 cm)	19,8 tum (50 cm)
②	31,0 tum (79 cm)	33,8 tum (86 cm)
③	8,3 tum (21 cm)	8,3 tum (21 cm)

	M65-700	M65-5000
④	3,8 tum (10 cm)	3,8 tum (10 cm)
⑤	17,3 tum (44 cm)	17,3 tum (44 cm)
⑥	17,3 tum (44 cm)	18,8 tum (48 cm)
⑦	14,5 tum (37 cm)	14,8 tum (38 cm)
⑧	17,5 tum (45 cm)	19,8 tum (50 cm)
⑨	18,8 tum (48 cm)	18,8 tum (48 cm)

3.4 Identifiering av modell

Identifieringsetiketten för modellen sitter på toalettbasens framsida under pedalkåpan. Se "Komponentplatser" på sidan 62.



3 Identifieringsetikett för modell

4 Specifikationer

I det här avsnittet presenteras allmänna specifikationer för toaletten.

Vikt M65-700	46 pund (0,45 kg)
Vikt M65-5000	49 pund (22,2 kg)
Tryck för försörjning av färskvatten	35–40 psi
Inloppsstorlek för vatten	0,5 tum (13 mm) NPT
Ventilationsfäste	5/8 tum (16 mm) O.D.
Pumputloppsfäste	1,5 tum (38 mm) O.D.
Smutsvattentankens kapacitet	6,5 gal (24,6 l)
Lägsta vattenförbrukning per spolning	0,1 gal (0,5 l)
Genomsnittlig vattenförbrukning per spolning	0.3 gal (1,0 l)

5 Förinstallation

I det här avsnittet beskrivs de arbetsmoment som måste utföras innan toaletten installeras.

5.1 Förberedelse inför installation av toaletten

1. Välj en plats i badrummet där toaletten kan användas på rätt sätt. Säkerställ att det finns plats för att spola pedalen och fritt utrymme för att lyfta upp sitsen och locket. Se "Toalettmått" på sidan 62.
2. Stäng av vattenförsörjningen till den plats där toaletten ska installeras.

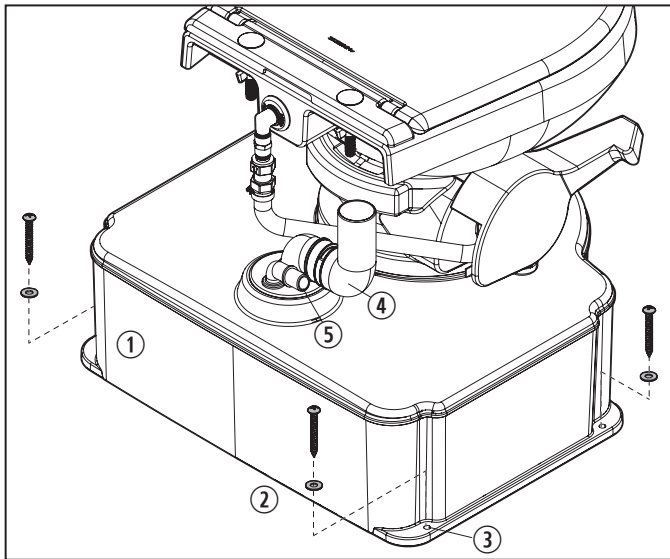
5.2 Ta bort en befintlig toalett

- i** Om det inte finns någon befintlig toalett fortsätter du till "Installation" på sidan 64.
1. Spola toaletten för att tömma skålen på vatten.
 - i** Ha en handduk eller grund behållare till hands så att du kan samla upp kvarvarande vatten.
 2. Koppla bort och töm vattenförsörjningsslangen.
 3. Ta bort fästena som används för att förankra toaletten i golvet.
 4. Ta bort toaletten från golvet.
 5. Kassera toaletten, fästena och eventuellt skräp.

6 Installation

I det här avsnittet beskrivs hur du installerar toaletten.

6.1 Installera smutsvattentanken



4 Sätta smutsvattentanken på plats

- | | |
|---|--------------------------|
| ① Smutsvattentank | ③ Monteringshål för tank |
| ② Monteringskruvar för tank och brickor | ④ Pumputloppsfäste |
| | ⑤ Ventilationsfäste |

- Placera smutsvattentankens baksida 0,8 tum (19 mm) från väggen.
- Markera positionen för monteringshålen på golvet och ta sedan bort smutsvattentanken.
- Borra ett styrhål för alla monteringshål.
- Flytta tillbaka smutsvattentanken till korrekt position.
- Sätt fast smutsvattentanken i golvet med monteringskruvarna för tanken och brickorna.

i Dra inte åt skruvarna för mycket.

6.2 Installation av stommegenomföring

- Installera stommegenomföringen enligt tillverkarens anvisningar.

i Stommegenomföringen bör placeras långt ovanför vattenlinjen och direkt över toaletten.

- Dra en 5/8 tum (16 mm) I.D. marin sanitetkvalitetsslang från stommegenomföring för ventilation till ventilationsfästet på smutsvattentanken.

- Sätt fast slangen i ventilationsfästena med två rostfria stålbandsklämmor.

6.3 Installera avloppsanslutningen

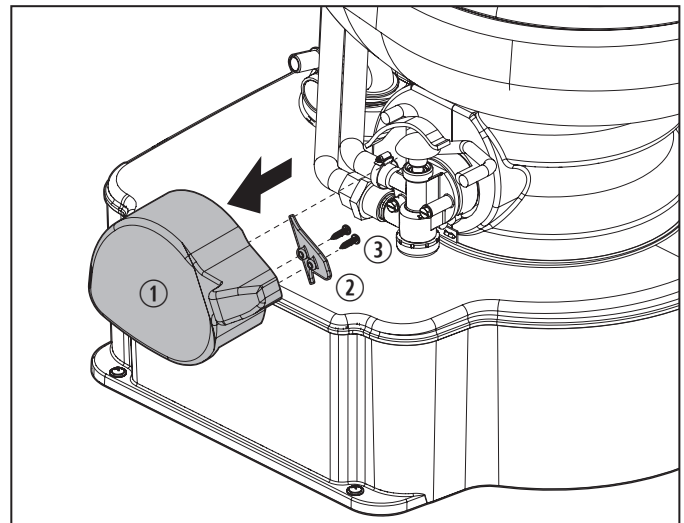
VARSEL: Smutsvattentanken på toaletten är konstruerad på så sätt att den tål avloppsvatten med hjälp av en korrekt fungerande avloppspump.

- Installera avloppsanslutningen enligt tillverkaranvisningarna.

i Avloppsfästet ska placeras i däckets direkt ovanför toaletten.

- Dra en 1,5 tum (38 mm) I.D. marin sanitetkvalitetsslang från avloppsanslutningen till pumputloppsfästet.
- Sätt fast slangen i fästena med hjälp av två rostfria stålbandsklämmor vid varje koppling.

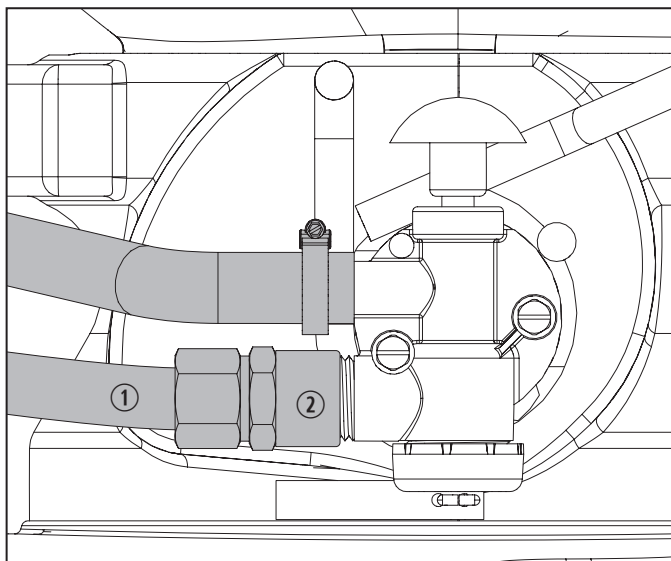
6.4 Ansluta vattenförsörjningen



5 Ta bort pedalkåpan

- | | |
|----------------|-----------|
| ① Pedalkåpa | ③ Skruvar |
| ② Bakre platta | |

- Ta bort de båda skruvarna från pedalkåpan baksida.
- Dra bort pedalkåpan.



6 Anslutningar för vattenförsörjningen

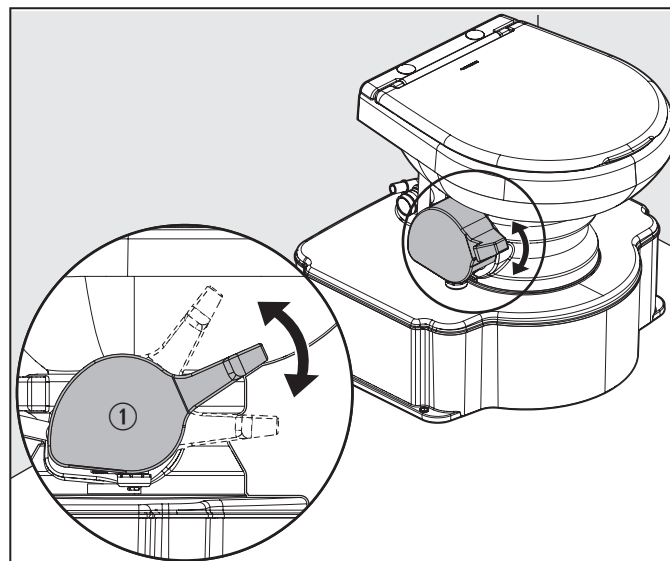
- ① Vattenledning ② Inloppsfäste

- Sätt fast vattenledningen i inloppsfästet.
- Sätt på vattenförsörjningen och spola flera gånger för att kontrollera om det finns läckor.
- Byt ut pedalkåpan.
- Byt ut den bakre plattan och sätt fast med de båda skruvarna.

7 Användning

VARSEL: Spola endast vatten, mänsklig avföring och snabbupplösande toalettpapper. Spola **inte** ner hygienprodukter för kvinnor eller andra artiklar som inte löser upp sig i toaletten.

I det här avsnittet beskrivs hur du använder toaletten.



7 Använda pedalen

- ① Pedal

- Lyft upp pedalen för att tillföra vatten innan toaletten används.
- Spola toaletten genom att trycka ned pedalen i botten tills avföringen leds bort ur toalettskålen.
 - i** Vattenflödestrycket varierar mellan olika platser därför kan man behöva hålla nere pedalen i 4–8 sekunder. Om spolpedalen hålls nere längre tid än nödvändigt används för mycket vatten.
- Släpp upp pedalen genom att låta den snäppa tillbaka. En liten mängd vatten ska finnas kvar i skålen.

8 Felsökning

i Vi rekommenderar att personlig skyddsutrustning alltid används, som till exempel handskar eller skyddsglasögon vid skötsel av sanitetsprodukter.

I den nedanstående tabellen har vi listat några av de fel som man kan stöts på när toaletten används, möjliga orsaker för felen och de rekommenderade åtgärder som ska vidtas för att avhjälpa felen.

Problem	Möjlig orsak	Rekommenderad lösning
Vattnet stannar inte kvar i skålen.	Bandklämman från basen till skålen sitter löst.	Dra åt justeringsmuttern för bandklämman.
	Det finns en felaktig tätning kring spolbollen på grund av smuts eller skräp under spolbollens tätning.	1. Undersök spolbollen och under spolbollens tätning med tanke på smuts eller skräp. 2. Rengör vid behov.
	Spolbollens tätning är sliten eller skadad.	1. Kontrollera om spolbollens tätning är sliten eller skadad. 2. Byt ut spolbollen och dess tätning vid behov.
	Sliten eller skadad spolboll.	1. Kontrollera om spolbollen är sliten eller skadad. 2. Byt ut spolbollen vid behov.
Spolbollen går inte att stänga helt.	Bandklämman från basen till skålen är för hårt åtdragen och orsakar för mycket spänning för spoltätningen och spolbollen.	Lossa justeringsmuttern för bandklämman.
	Fjäderpatronen är svag eller defekt.	1. Tryck ned pedalen och släpp sedan snabbt. 2. Om pedalen inte snäpper tillbaka ska fjäderpatronen bytas ut.
Vattnet går inte att stänga av i toaletten.	Smuts samlas i vattenventilens tätning ¹	Demontera och rengör vattenventilen.
	Spaken är nedböjd och håller vattenventilen öppen.	Böj spakens framsida uppåt med cirka 0,1 tum (2 mm).
	Vattenventilen är sliten eller defekt.	Byt ut aggregatet för vattenventilen.
	Fjäderpatronen är svag eller defekt.	1. Tryck ned pedalen och släpp sedan snabbt. 2. Om pedalen inte snäpper tillbaka ska fjäderpatronen bytas ut.
Vattnet kommer inte korrekt till skålen.	Lågt vattentryck	Kontrollera det inkommande vattentrycket. Se "Specifikationer" på sidan 63.
	Igenstoppad vattenventil	Ta bort och rengör filterskärmen. ¹
Det läcker vatten från vattenventilen	Lossa anslutningen	Dra åt bottenkåpan, inloppsfästet ¹ , och kassera slangbandsklämman.
	Sliten eller defekt vattenventil	Byt ut aggregatet för vattenventilen.
	Vattenslangens anslutning sitter inte korrekt	1. Kontrollera att ledarna på inloppsfästet inte är korsade. 2. Dra åt anslutningen.
	Bara ledare på inloppsfästet	Byt ut aggregatet för vattenventilen.
	Vattenventilens tätning ¹ är sliten eller saknas	
	Vattenventilens stomme har spruckit	
Det läcker vatten från skålens baksida.	Lossa slanganslutningen för vattenförsörjningen	Dra åt slanganslutningen för vattenförsörjningen.
	Lossa kontrollventilens aggregat	Dra åt anslutningen för kontrollventilen för skålen.
	Sliten eller defekt kontrollventil	Byt ut kontrollventilens aggregat.
	Sprucken eller defekt skål	Byt ut skålen.

¹ Del av aggregatet för vattenventilen

9 Underhåll

VARSEL: Använd **inte** slipmedel, kaustiska kemikalier eller smörjmedel eller också rengöringsmedel som innehåller klorin, alkohol eller petroleumdestillat. Dessa ämnen kan skada toalettens inre tätningar.


Underhålls- och rengöringsanvisningarna som presenteras i det här avsnittet ska utföras enligt de intervaller som framgår av anvisningarna, beroende på hur toaletten används.

Om toaletten inte underhålls på ett korrekt sätt kan garantin bli ogiltig och det kan bli osäkert att använda toaletten. Förebyggande underhåll omfattas inte av garantin.

9.1 Rengöra toaletten

Toaletten ska rengöras regelbundet med ett mildt, icke-slipande rengöringsmedel som t.ex. Dometic-rengöringsmedel för toalettskål.

Vid tydlig lukt:

1. Töm hela smutsvattentanken.
2. Blanda 8 oz (237 ml) av vätska i form av nedbrytbar tvättsåpa med 5 gal (19 l) färskvatten och spola genom toaletten.
 -  Överskrid inte smutsvattentankens kapacitet. Se "Specifikationer" på sidan 63.
3. Töm smutsvattentanken.
4. Lägg till en luktdämpande produkt i den mängd som passar smutsvattentankens kapacitet efter rengöringen och var och varannan dag vid användning.

9.2 Systemunderhåll

Underhållsprocedurer varierar beroende på faktorer såsom användningsfrekvens, spolningskvalitet, osv. Diagrammet är en generell guide så att ditt toalettssystem alltid är redo för användning.

Underhållsprocedur	Serviceintervall
Kontrollera alla anslutna slangskarvar	Månadsvis
Kontrollera filterskärmen i vattenventilens aggregat	Årsvi
Byt ut spolbollen och dess tätning (vid behov)	Vart tredje år

9.3 Rekommenderade reservdelar


Vid användning av båt eller annat fordon i avsides belägna områden bör du ha följande reservdelar till hands för att försäkra kontinuerlig toalettssystemanvändning.

- Spolboll, skaft och kit med fjäderpatroner

- Tätningskit
- Monteringskit för vattenventil

9.4 Vinterförbereda toaletten

Vid slutet av varje säsong ska toaletten förberedas för vintern och lagras.

1. Töm smutsvattentanken.
2. Spola toaletten noggrant med färskvatten.
3. Stäng av toalettens vattenförsörjning.
 -  Ha en handduk eller grund behållare till hands så att du kan samla upp kvarvarande vatten.
4. Koppla bort vattenförsörjningsslangen och spola toaletten för att tömma den på kvarvarande vatten.
5. Töm smutsvattentanken.

10 Bortskaffande



Släng förpackningsmaterialet tillsammans med lämpligt återvinningsavfall, när det är möjligt. Kontakta ett lokalt återvinningscenter eller specialiserad återförsäljare för detaljer om hur man kasserar produkten i enlighet med gällande nationella och lokala bestämmelser.

11 Information om garantin

Se avsnitten nedan för information om garanti och garantisupport i USA, Kanada, Australien, Nya Zeeland och alla övriga regioner.

11.1 USA och Kanada

BEGRÄNSAD GARANTI FÖR TVÅ ÅR PÅ DOMETIC.COM/EN-US/TERMS-AND-CONDITIONS-CONSUMER/WARRANTY.

OM DU HAR NÅGRA FRÅGOR ELLER OM DU VILL HA EN GRATIS KOPIA AV DEN BEGRÄNSADE GARANTIN, KONTAKTA:

DOMETIC CORPORATION
CUSTOMER SERVICE
13128 STATE ROUTE 226
BIG PRAIRIE, OH USA 44611
1-800-321-9886
011-330-439-5550

11.2 Länder i Asien- Stillahavsområdet (APAC)

Om produkten inte fungerar enligt förväntan ska återförsäljaren eller tillverkarens avdelningskontor i ditt land kontaktas (se den här bruksanvisningens baksida för online-adresser som du kan ta hjälp av för att hitta din region eller återförsäljare). Den garanti som tillämpas för din produkt är två år.

Vid reparations och garantiärenden ska följande dokument skickas med när du returnerar produkten:

- En kopia på fakturan med inköpsdatum
- En reklameringsbeskrivning eller felbeskrivning

11.2.1 Gäller endast för Australien

Våra varor omfattas av garantier som inte kan undantas enligt den australienska konsumentlagstiftningen. Du har rätt att begära byte eller återbetalning vid ett omfattande fel eller ersättning för någon annan rimligen förutsebar förlust eller skada. Du har också rätt att få varorna reparerade eller utbytta om varorna inte uppvisar godtagbar kvalitet och felet inte är ett omfattande fel.

11.2.2 Gäller endast för Nya Zeeland

Dessa riktlinjer för garantin omfattas av de villkor och garantier som är obligatoriska enligt lagen om konsumentgarantier 1993(NZ).

11.3 Alla övriga regioner

Den lagstadgade garantitiden gäller. Om produkten är defekt tillverkarens bransch i din region eller återförsäljaren kontaktas (se handbokens baksida för online-adresser som du kan ta hjälp av för att hitta din region eller återförsäljare).

Vid reparations- resp. garantiärenden ska följande dokument följa med när du skickar in utrustningen:

- En kopia på fakturan med inköpsdatum
- En reklameringsbeskrivning eller felbeskrivning

Servicecenter & forhandlersteder

Besøg: www.dometic.com

Læs og følg alle disse anvisninger, retningslinjer og advarsler i denne produktvejledning grundigt for at sikre, at du altid installerer, bruger og vedligeholder produktet korrekt. Disse anvisninger SKAL opbevares sammen med dette produkt.

Ved at benytte produktet bekræfter du hermed, at du har læst alle anvisninger, retningslinjer og advarsler grundigt, og at du forstår og er indforstået med de vilkår og betingelser, der er fastlagt heri. Du er indforstået med kun at bruge dette produkt til det beregnede formål og anvendelse i overensstemmelse med anvisningerne, retningslinjerne og advarslene i denne produktvejledning samt i overensstemmelse med alle de gældende love og forskrifter. Manglende læsning og ignorering af disse anvisninger og advarsler kan medføre skader på dig selv og andre, skade på dit produkt eller skade på anden ejendom i nærheden. Denne produktmanual, inklusive instruktioner, retningslinjer og advarsler og relateret dokumentation, kan være genstand for ændringer og opdateringer. For opdateret produktinformation, besøg venligst www.dometic.com.

1	Forklaring af symboler og sikkerhedsinstruktioner	69
2	Anvendelsesformål	70
3	Generelle oplysninger	70
4	Specifikationer	72
5	Forudinstallation	72
6	Montering	72
7	Betjening	74
8	Fejlfinding	75
9	Vedligeholdelse	76
10	Bortskaffelse	76
11	Garantioplysninger	77

1 Forklaring af symboler og sikkerhedsinstruktioner

Denne manual har sikkerhedsoplysninger og instruktioner, der hjælper dig med at eliminere eller reducere risikoen for ulykker og skader.

1.1 Genkend sikkerhedsoplysninger

 **Dette er sikkerhedsadvarselssymbolet.** Det bruges til at advare dig om potentielle fysiske skader. Overhold alle sikkerhedsmeddelelser, der følger dette symbol for at undgå mulig personskaade eller dødsfald.


1.2 Forstå signalord

Et signalord vil identificere sikkerhedsmeddelelser og meddelelser om skade på ejendom og vil også angive graden eller niveauet af farens alvor.

ADVARSEL

Angiver en farlig situation, der, hvis den **ikke** undgås, kan resultere i dødsfald eller alvorlig personskaade.

VARSEL: Bruges til at behandle praksis, der **ikke** er relateret til fysisk skade.

 Angiver yderligere information, der ikke er relateret til fysisk skade.

1.3 Supplerende direktiver

For at reducere risikoen for ulykker og kvæstelser skal du overholde følgende direktiver, før du fortsætter med at installere, betjene eller servicere dette apparat:

- Læs og følg alle sikkerhedsoplysninger og instruktioner.
- Læs og forstå disse instruktioner, før du installerer, betjener eller servicerer dette produkt.
- Installationen skal overholde alle gældende lokale eller nationale regler.

1.4 Generelle sikkerhedsmeddelelser

 **ADVARSEL: FARE FOR OVERSVØMMELSE.** Manglende overholdelse af følgende advarsler kan resultere i dødsfald eller alvorlig personskaade:

- Hvis toilettet er tilsluttet til etgennemskrogsbeslag, skal du **altid** lukke søhanerne, når toilettet ikke er i brug (selvom båden er uden opsyn i en kort periode). Alle passagerer **skal** instrueres i, hvordan ventiler lukkes, når toilettet ikke er i brug.

- Hvis toilettet er forbundet med et gennemskrogsbeslag, **skal** alle fleksible slanger være af marin-sanitetskvalitet og skal sikres til en fittings (såsom dem ved søhanen eller toilettet) med to snekkedrevne slangebåndsklemmer i rustfri stål ved hver tilslutning. Forbindelser **skal** kontrolleres ofte for integritet.
- Sørg for, at søhanerne er i lukket eller slået fra inden du installerer toilettet eller udfører nogen form for vedligeholdelse.
- Hvis toilettet bruger ferskvand til skylning og på et hvilket som helst tidspunkt er forbundet direkte eller indirekte med et kommunalt kystvandssystem, **skal** kystvandstilslutninger afbrydes, hvis båden er ikke er under opsyn (også selvom båden er uden opsyn i en kort periode).
- Brug kun Dometic-reservedele og komponenter, der er specifikt godkendt til at blive brugt med apparatet.
- Undgå forkert installation, justering, ændringer, service eller vedligeholdelse af apparatet. Service og vedligeholdelse **skal** kun udføres af en kvalificeret serviceperson.
- Modificer **ikke** dette produkt på nogen måde. Ændring kan være ekstremt farlig.

VARSEL: Overfyld **ikke** beholderen, da der kan opstå skader på sanitetssystemet.

2 Anvendelsesformål

Tyngdekraftsudledningstoilet (i det følgende benævnt toilet) er designet og beregnet til montering i en båd under eller efter fremstillingen. Dette toilet er kun egnet til det tilsigtede formål og anvendelse i overensstemmelse med denne vejledning.

Denne manual giver information, der er nødvendig for korrekt installation og drift af toilettet. Dårlig montering og/eller ukorrekt drift eller vedligeholdelse medfører utilstrækkelig ydeevne og mulige fejl. Producenten påtager sig intet ansvar for kvæstelser eller skader i forbindelse med produktet, der skyldes:

- ukorrekt samling eller forbindelse inklusive for høj spænding
- ukorrekt vedligeholdelse eller brug af uoriginale reservedele, der ikke stammer fra producenten
- ændringer på produktet uden udtrykkelig tilladelse fra producenten
- brug til andre formål end dem, der er beskrevet i vejledningen.

Dometic forbeholder sig retten til at ændre produktets udseende og produktspecifikationer.

3 Generelle oplysninger

Dette afsnit giver generelle oplysninger om toilettet og dets komponenter og dimensioner.

i Billederne brugt i dette dokument er kun til referenceformål. Komponenter og komponentplaceringer kan variere afhængigt af specifikke produktmodeller. Målinger kan variere $\pm 0,38$ tommer. (10 mm).

3.1 Værktøj og materialer

Dometic anbefaler, at følgende værktøjer og materialer anvendes under installationen af apparatet.

Inkluderede dele

Tyngdekraftsudledningstoilet
Tankmonteringskruer med skiver (4)

Dele leverede af installatøren

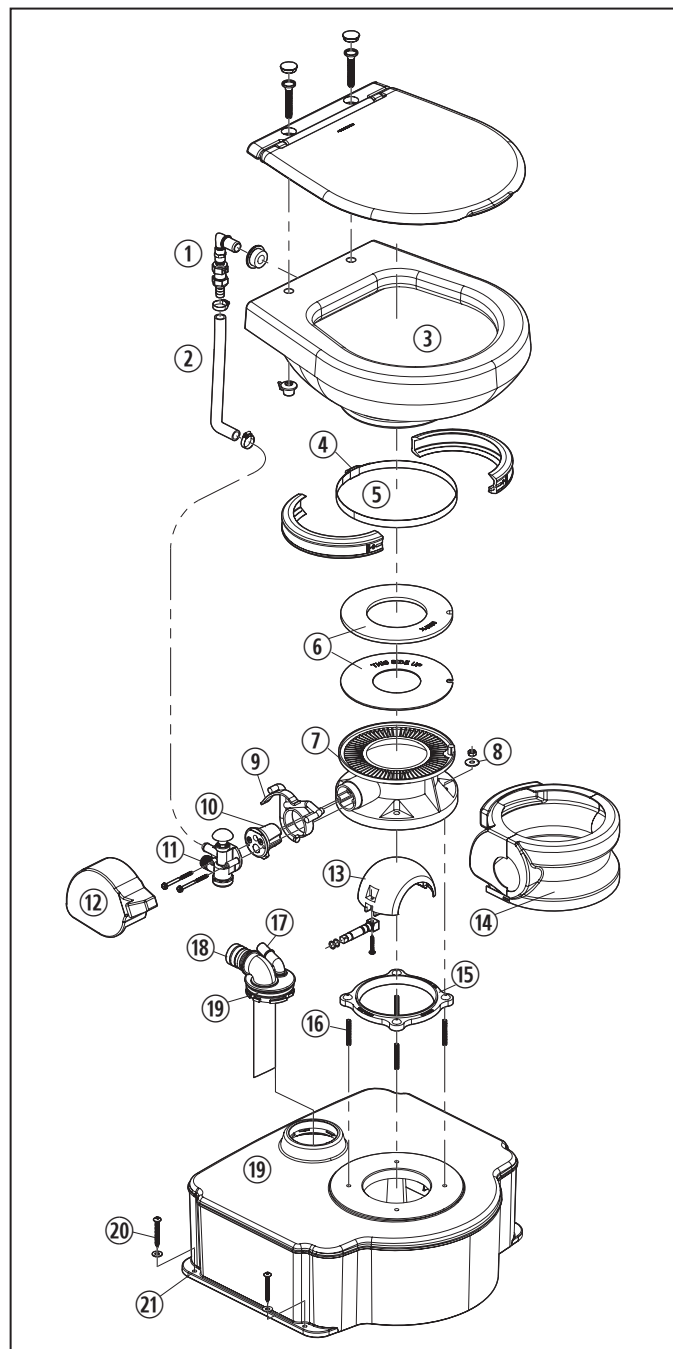
Gennemskrogsventilationsfiting
Havneudløbsfiting
5/8 tommer (16 mm) I.D. Marinsanitet kvalitetsslange
1,5 tommer (38 mm) I.D. Marinsanitet kvalitetsslange
Båndklemmer i rustfrit stål (8)
Vandforsyning

Anbefalede værktøjer

Boremaskine	Panhoved skruetrækker
Borehoved	Skruetrækker til båndklemmer
Markør	Phillips-hoved-skruetrækker

3.2 Komponentplaceringer

Dette afsnit identificerer toiletkomponenterne. Komponenterne kan variere lidt afhængigt af modellen.

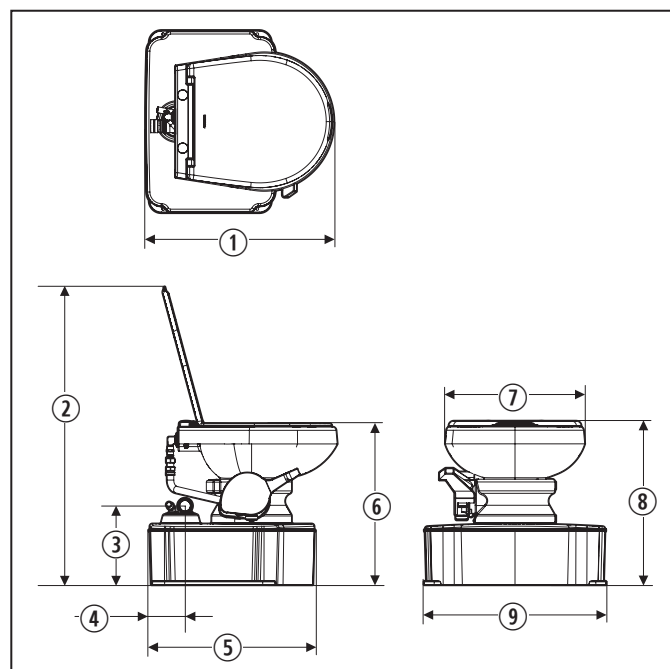


1 M65-700 Komponenter

- ① Undersøg ventil
- ② Forsyningslange
- ③ Kumme
- ④ Båndklemmejusteringsmøtrik
- ⑤ Båndklemme fra bund til kumme
- ⑥ Skyllekugletætninger
- ⑦ Toiletbunden
- ⑧ Toiletmonteringsmøtrikker og skiver
- ⑨ Håndtag
- ⑩ Fjederpatron
- ⑪ Vandventilsamling
- ⑫ Pedalafdækning
- ⑬ Skyllekugle
- ⑭ Sokkeldæksel
- ⑮ Gulvtætning
- ⑯ Knopper
- ⑰ Udluftsbeslag
- ⑱ Udpumpningsfittings
- ⑲ Spildevandstank
- ⑳ Tankmonteringskruer og spændeskiver
- ㉑ Tankmonteringshuller

3.3 Toiletstørrelser

Afsnittet giver dimensionerne til M65-700 og M65-5000-toiletet.



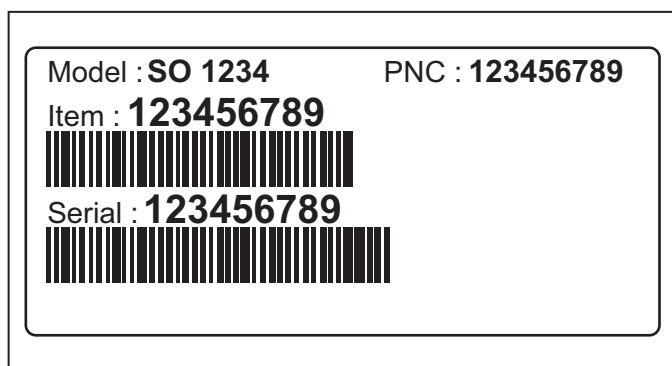
2 Toiletstørrelser

	M65-700	M65-5000
①	19,5 tommer (50 cm)	19,8 tommer (50 cm)
②	31,0 tommer (79 cm)	33,8 tommer (86 cm)
③	8,3 tommer (21 cm)	8,3 tommer (21 cm)

	M65-700	M65-5000
④	3,8 tommer (10 cm)	3,8 tommer (10 cm)
⑤	17,3 tommer (44 cm)	17,3 tommer (44 cm)
⑥	17,3 tommer (44 cm)	18,8 tommer (48 cm)
⑦	14,5 tommer (37 cm)	14,8 tommer (38 cm)
⑧	17,5 tommer (45 cm)	19,8 tommer (50 cm)
⑨	18,8 tommer (48 cm)	18,8 tommer (48 cm)

3.4 Modelidentifikation

Modelidentifikationsmærkatet er placeret på forsiden af bunden af toilettet under sokkeldækslet. Se "Komponentplaceringer" på side 71.



3 Modelidentifikationsmærke

4 Specifikationer

Dette afsnit giver generelle specifikationer for toilettet.

Vægt M65-700	46 pund (20,9 kg)
Vægt M65-5000	49 pund (22,2 kg)
Ferskvandsforsyningstryk	35-40 pund per kvadrattomme
Vandindløbsstørrelse	0.5 tommer (13 mm) NPT
Ventilationsfitting	5/8 tommer (16 mm) O.D.
Udpumpningsfittings	1,5 tommer (38 mm) O.D.
Holdetankkapacitet	6.5 gallon (24.6 L)
Minimum vandforbrug pr. skylning	0.1 gallon (0.5 L)
Minimum vandforbrug pr. skylning	0.3 gallon (1.0 L)

5 Forudinstallation

Dette afsnit beskriver de trin, der skal udføres før installation af toilettet.

5.1 Forbereder installation af toilettet

1. Vælg en position i badeværelset, hvor toilettet kan fungere korrekt. Giv plads til at skylle pedalen og plads til at hæve sædet og låget. Se "Toiletstørrelser" på side 71.
2. Afbryd vandforsyningen til toilettet.

5.2 Fjernelse af et eksisterende toilet

i Hvis der ikke er et eksisterende toilet, spring til "Specifikationer" på side 72.

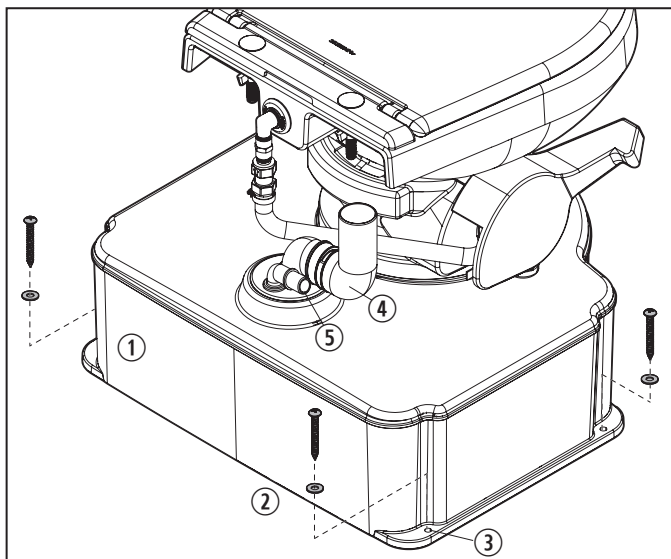
1. Skyl toilettet for at dræne vandet fra kummen.
 - i** Hav et håndklæde eller en lav beholder klar til at opsamle eventuelle resterende vand.
2. Afbryd og tøm vandforsyningsledningen.
3. Fjern fastgørelsesanordningerne, der forankrer toilettet til gulvet.
4. Fjern toilettet fra gulvet.
5. Bortskaf toilettet, fastgørelsesanordninger og eventuelt fjernelsesaffald.

6 Montering

Dette afsnit beskriver, hvordan man monterer toilettet.

6.1 Montering af opbevaringstanken

1. Placer bagsiden af opbevaringstanken 0,8 tommer (19 mm) fra væggen.



4 Placering af opbevaringstanken

- ① Opbevaringstanken
- ② Tankmonteringsskruer og spændeskiver
- ③ Tankmonteringshuller
- ④ Udpumpningsfittings
- ⑤ Ventilationsfittings

2. Marker placeringen af monteringshullerne på gulvet, og fjern derefter opbevaringstanken.
3. Bor et pilothul for hvert monteringshul.
4. Flyt opbevaringstanken tilbage på plads.
5. Fastgør opbevaringstanken til gulvet med tankens monteringsskruer og spændeskiver.

i Spænd ikke skruerne for meget.

6.2 Montering af gennemskrogsbeslaget

1. Installer gennemskrogsbeslaget i henhold til producentens anvisninger.

i Skrogbeslaget skal placeres et godt stykke over vandlinjen og direkte over toilettet.

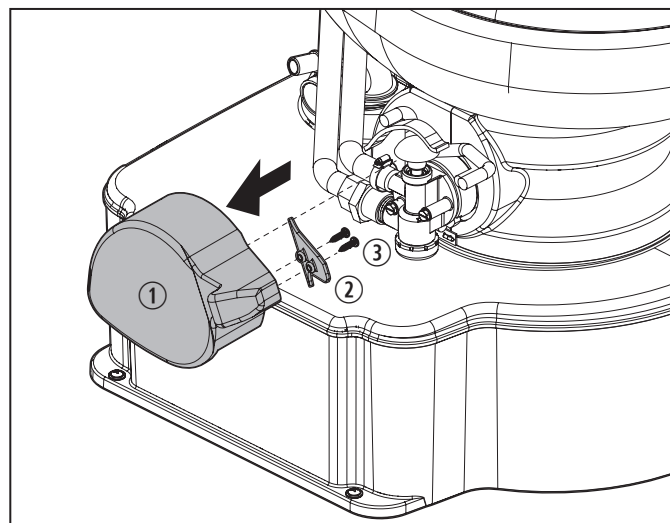
2. Kør 5/8 tommer (16 mm) I.D. marinsanitetskvalitetsslange fra udluftningsfittingsen gennem skroget til udluftningsfittingsen på beholderen.
3. Fastgør slangen til udluftningsfittings med to båndklemmer i rustfrit stål ved hver tilslutning.

6.3 Installation af havneudløbsfittingsen

VARSEL: Opbevaringstanken på toilettet er designet til at modstå udledning fra en korrekt fungerende afgangspumpe.

1. Installer udløbsfittingsen ved havnen i henhold til producentens instruktioner.
 - i** Havneudløbsarmaturen skal placeres i dækket direkte over toilettet.
2. Kør 1,5 tommer. (38 mm) I.D. marinsanitetskvalitetsslange fra havneudløbsfittings til udpumpningsfittings.
3. Fastgør slangen til fittings med to båndklemmer i rustfrit stål ved hver tilslutning.

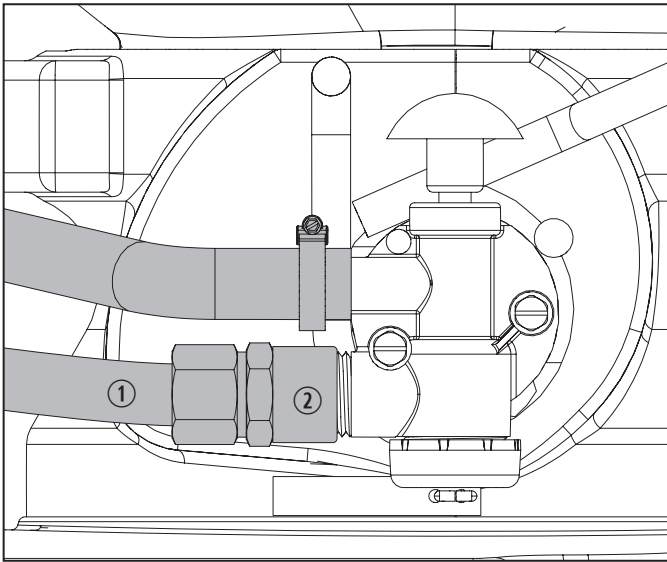
6.4 Tilslutning af vandforsyningen



5 Fjernelse af pedaldækslet

- ① Pedaldæksel
- ② Bagpladen
- ③ Skruer

1. Fjern de to skruer fra bagsiden af pedaldækslet.
2. Træk pedaldækslet af.



6 Vandforsyningsforbindelser

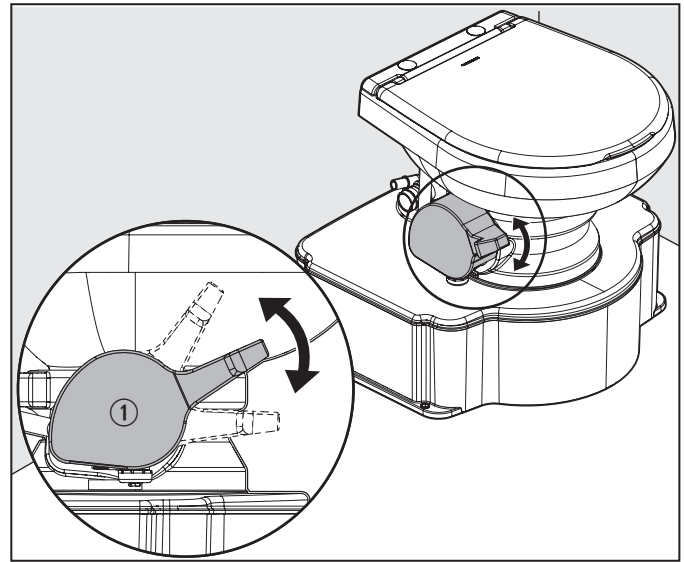
- ① Vandforsyningsledning ② Indløbsfittings

3. Fastgør vandforsyningsledningen til indløbsfittings.
4. Tænd for vandtilførslen og skyl flere gange for at tjekke for utætheder.
5. Sæt pedaldækslet på igen.
6. Sæt pedaldækslet på igen.

7 Betjening

VARSEL: Skyl kun vand, kropsligt affald og hurtigtopløseligt toiletpapir. Smid **ikke** ikke feminine hygiejneprodukter eller andre ikke-opløselige genstande i toilettet.

Dette afsnit beskriver, hvordan man installerer toilettet.



7 Pedal i brug

- ① Pedal

1. Løft pedalen for at tilføje vand til toilettet før brug.
2. For at skylle toilettet skal du trykke pedalen helt ned, indtil affaldet forlader toiletkummen.

i Vandstrømstrykket varierer på forskellige steder, derfor kan det være nødvendigt at holde pedalen nede i 4-8 sekunder. Holdes skyllepedalen nede længere end nødvendigt, vil det resultere i overdreven vandforbrug.

3. Slip pedalen ved at lade den klikke tilbage. En lille mængde vand skal forblive i kummen.

8 Fejlfinding

i Det anbefales altid at bære personlige værnemidler, såsom handsker, beskyttelsesbriller eller sikkerhedsbriller, når du servicerer sanitetsprodukter.

Følgende tabel viser nogle af de mulige problemer, der kan opstå, når toiletet er i brug, de mulige årsager til disse problemer og de anbefalede handlinger, der bør tages for at afhjælpe problemerne.

Problem	Mulig årsag	Anbefalet løsning
Vandet forbliver ikke i kummen.	Båndklemmen mellem bunden og kummen er løs.	Spænd båndklemmens justeringsmøtrik.
	Der er en forkert tætning omkring skyllekuglen på grund af snavs eller snavs på undersiden af skyllekugleforsøglingen.	1. Undersøg skyllekuglen og undersiden af skyllekugletætningen for skidt eller snavs. 2. Rengør om nødvendigt.
	Skyllekugletætningen er slidt eller beskadiget.	1. Undersøg den skyllede kugletætning for slitage eller beskadigelse. 2. Udskift om nødvendigt skyllekugletætningen.
	Slidt eller beskadiget skyllekugle	1. Undersøg skyllekuglen for slitage eller beskadigelse. 2. Udskift om nødvendigt skyllekugletætningen.
Skyllekuglen lukker ikke helt.	Båndklemmen mellem bund og skål er overspændt og forårsager for meget spænding på skylletætningen og skyllekuglen.	Løsn båndklemmens justeringsmøtrik.
	Fjederpatronen er svag eller defekt.	1. Tryk på pedalen og slip derefter hurtigt. 2. Hvis pedalen ikke klikker tilbage, skal du udskifte fjederpatronen.
Vandet lukker ikke af i toiletet.	Der sidder snavs i vandventilens tætning ¹	Afmonter og rengør vandventilen.
	Håndtaget er bøjet ned og holder vandventilen åben.	Bøj den forreste del af håndtaget op ca. 0,1 tommer (2 mm).
	Vandventilen er slidt eller defekt.	Udskift vandventilenheden.
	Fjederpatronen er svag eller defekt.	1. Tryk på pedalen og slip derefter hurtigt. 2. Hvis pedalen ikke klikker tilbage, skal du udskifte fjederpatronen.
Vand kommer ikke ordentligt ind i kummen.	Lavt vandtryk	Kontroller det indgående vandtryk. Se "Specifikationer" på side 72.
	Tilstoppet vandventil	Fjern og rengør filterskærmen. ¹
Vand siver fra vandventilen	Løs forbindelse	Spænd bunddækslet, indløbsfittingen ¹ , og afgangsslangebåndsklemmen.
	Slidt eller defekt vandventil	Udskift vandventilenheden.
	Vandledningstilslutningen sidder ikke korrekt	1. Sørg for, at gevindene på indløbsfittingen ikke er krydsgevind. 2. Spænd forbindelsen.
	Afisolerede gevind på indløbsfittingen	Udskift vandventilenheden.
	Vandventilens tætning er slidt eller mangler	
	Vandventilhuset er revnet	
Vand siver ud fra bagsiden af kummen	Løs tilslutning til vandforsyningslange	Spænd vandforsyningslangens forbindelser.
	Løse kontraventilsamling op	Spænd kontraventil-til-kummen-forbindelsen.
	Slidt eller defekt kontraventil	Udskift kontraventilenheden.
	Revnet eller defekt skål	Udskift kummen.

¹En del af vandventilenheden

9 Vedligeholdelse

VARSEL: Brug slibende rengøringsmidler, ætsende kemikalier eller smøremidler eller rengøringsmidler, der indeholder klor, alkohol eller petroleumsdestillater. Disse stoffer kan forårsage skade på toilettets indvendige tætninger.


Vedligeholdelses- og rengøringsinstruktionerne i dette afsnit skal udføres med de angivne intervaller, eller efter behov, afhængigt af brugen af toilettet.

Manglende vedligeholdelse af toilettet kan annullere garantien og kan resultere i usikker drift. Forebyggende vedligeholdelse er ikke dækket af garantien.

9.1 Rengør toilettet

Toilettet bør rengøres regelmæssigt med et mildt, ikke-slibende rengøringsmiddel såsom Dometic-toiletrens.

Hvis lugt er tydelig:

1. Tøm beholderen helt.
2. Bland 8 ounce (237 ml) flydende biologisk nedbrydelig vaskesæbe med 5 gallon (19 L) frisk vand og skyl gennem toilettet.
 -  Overskrid ikke kapaciteten på din opbevaringstanken. Se "Specifikationer" på side 72.
3. Tøm opbevaringstanken helt.
4. Tilføj et lugtbekæmpende produkt i den mængde, der er specificeret for kapaciteten af din opbevaringstanken efter rengøring og med få dages mellemrum under brug.

9.2 Systemvedligeholdelse

Vedligeholdelsesprocedurerne varierer meget og afhænger af faktorer som brugshyppighed, kvalitet af skyllevandet osv. Skemaet giver en generel retningslinje for at holde dit toilet klar til brug til enhver tid.

Vedligeholdelsesprocedure	Serviceinterval
Kontroller alle fastspændte slangesamlinger	Månedligt
Kontroller filterskærmen i vandventilenheden	Årligt
Udskift skyllekugletætningen og skyllekuglen (hvis påkrævet)	Hvert tredje år


9.3 Anbefalede reservedele

Når du betjener en båd eller et andet køretøj i fjerntliggende områder, skal du have følgende reservedele ved hånden for at sikre kontinuerlig toiletsystemdrift.

- Skyllekugle-, skaft- og fjederpatronsæt
- Tætningssæt
- Samlingssæt for vandventil

9.4 Vinterklargøring af toilettet

I slutningen af hver sæson skal toilettet vinterklargøres til opbevaring.

1. Tøm opbevaringstanken.
2. Skyl systemet grundigt med ferskvand.
3. Luk for vandtilførslen til toilettet.
 -  Hav et håndklæde eller en lav beholder klar til at opsamle eventuelle resterende vand.
4. Afbryd vandforsyningsledningen og skyl toilettet for at dræne eventuelt resterende vand.
5. Tøm opbevaringstanken.

10 Bortskaffelse



Bortskaf så vidt muligt emballagen i affaldscontainerne til den pågældende type genbrugsaffald. Kontakt et lokalt genbrugscenter eller en specialforhandler for detaljer om, hvordan produktet skal bortskaffes i overensstemmelse med alle gældende nationale og lokale bestemmelser.

11 Garantioplysninger

Se afsnittene nedenfor for oplysninger om garanti og garantisupport i USA, Canada, Australien, New Zealand og alle andre regioner.

11.1 USA og Canada

BEGRÆNSET TO-ÅRS GARANTI TILGÆNGELIG PÅ DOMETIC.COM/EN-US/TERMS-AND-CONDITIONS-CONSUMER/WARRANTY.

HVIS DU HAR SPØRGSMÅL ELLER ØNSKER EN GRATIS KOPI AF DEN BEGRÆNSEDE GARANTI, SKAL DU KONTAKTE:

DOMETIC CORPORATION
CUSTOMER SERVICE
13128 STATE ROUTE 226
BIG PRAIRIE, OH USA 44611
1-800-321-9886
011-330-439-5550

11.2 Asien-Stillehavet (APAC) Lande

Hvis produktet er defekt, skal du kontakte producentens afdeling i dit land (se bagsiden af vejledningen for adresserne) eller din forhandler. Den garanti, der gælder for dit produkt erto år.

Ved reparation eller krav om garanti skal du medsende følgende bilag:

- En kopi af regningen med købsdato
- En reklamationsgrund eller en fejlbeskrivelse

11.2.1 Kun for Australien

Vores varer kommer med garantier, som ikke kan udelukkes under den australske forbrugerlov. Du er berettiget til erstatning eller refusion for en større fejl og til kompensation for ethvert andet med rimelighed forudsigtelig tab eller skade. Du er også berettiget til at få varen repareret eller ombyttet, hvis varen ikke er af acceptabel kvalitet, og fejlen ikke udgør en større fejl.

11.2.2 Kun for New Zealand

Denne garantipolitik er underlagt de betingelser og garantier, som er obligatoriske som antydnet af Consumer Guarantees Act 1993(NZ).

11.3 Alle øvrige områder

Den lovbestemte garantiperiode gælder. Hvis produktet er defekt, skal du kontakte producentens afdeling i dit land (se bagsiden af vejledningen for adresserne) eller din forhandler.

Ved reparation eller krav om garanti skal du medsende følgende bilag:

- En kopi af regningen med købsdato
- En reklamationsgrund eller en fejlbeskrivelse

Servicesenter og forhandler lokasjoner

Gå til: www.dometic.com

Vennligst les disse instruksjonene nøye og følg alle instruksjoner, retningslinjer og advarsler inkludert i denne produktveiledningen for å forsikre deg om at du til enhver tid installerer, bruker og vedlikeholder produktet riktig. Disse instruksjonene MÅ oppbevares i nærheten av dette produktet.

Ved å ta i bruk dette produktet bekrefter du herved at du har lest alle instruksjoner, retningslinjer og advarsler nøye og at du forstår og godtar å overholder vilkårene og betingelsene som er angitt her. Du samtykker å bruke dette produktet kun til det tiltenkte formålet og bruken og i samsvar med instruksjonene, retningslinjene og advarslene som er angitt i denne produktveiledningen, samt i samsvar med alle gjeldende lover og forskrifter. Hvis du ikke leser og følger instruksjonene og advarslene som er angitt her, kan det føre til personskader, skader på produktet eller skade på annen nærliggende eiendom. Denne produktveiledningen inkludert instruksjoner, retningslinjer og advarsler og relatert dokumentasjon kan være gjenstand for endringer og oppdateringer. For oppdatert produktinformasjon, vennligst gå til www.dometic.com.

1 Forklaring på symboler og sikkerhetsinstruksjoner	78
2 Tiltent bruk	79
3 Generell informasjon	79
4 Spesifikasjoner	81
5 Før installasjon	81
6 Installasjon	82
7 Betjening	83
8 Feilsøking	84
9 Vedlikehold	85
10 Avhending	85
11 Garantiinformasjon	86

1 Forklaring på symboler og sikkerhetsinstruksjoner

Denne veiledningen inneholder sikkerhetsinformasjon og instruksjoner for å hjelpe deg med å eliminere eller redusere risikoen for ulykker og personskader.

1.1 Gjenkjenn sikkerhetsinformasjon

 **Dette er symbolet for sikkerhetsvarsler.** Den brukes til å varsle deg om potensielle personskader som kan oppstå. Følg alle sikkerhetsmeldinger

som vises etter dette symbolet for å unngå mulige personskader eller død.

1.2 Forståelse av signalordene

Et signalord vil identifisere sikkerhetsmeldinger og meldinger om mulige skader på eiendom, og vil også indikere graden eller nivået av faren.

ADVARSEL

Indikerer en farlig situasjon som, hvis **ikke** unngås, kan føre til død eller alvorlig personskade.

MERKNAD: Brukes til å henvise til ting som **ikke** relaterer til fysiske skader.

 Indikerer tilleggsinformasjon som ikke relaterer til fysiske skader.

1.3 Tilleggsdirektiver

For å redusere risikoen for ulykker og personskader, følg de følgende direktivene før du fortsetter med å installere, betjene eller utføre vedlikehold på dette apparatet:

- Les og følg all sikkerhetsinformasjonen og instruksjonene.
- Les og forstå disse instruksjonene før installasjon, drift eller vedlikehold av dette produktet.
- Installasjonen må være i samsvar med alle gjeldende lokale eller nasjonale forskrifter.

1.4 Generelle sikkerhetsmeldinger

 **ADVARSEL: FARE FOR OVERSVØMMELSE.**
Unnlattelse av å følge de følgende advarslene kan føre til død eller alvorlig personskade:

- Hvis toalettet er koblet tilens kroggjennomføring, steng **alltid** sjøkranene når toalettet ikke er i bruk (selv om båten bare er uten tilsyn i en kort periode). Alle passasjerene **må** instrueres i om hvordan man stenger ventilene når toalettet ikke er i bruk.
- Hvis toalettet er koblet tilnoens kroggjennomføringer, må alle **fleksible slanger** være av maritim sanitær kvalitet og må festes til alle gjennomføringer (som de ved sjøkranen eller toalettet) med to rustfrie slangebåndklemmer ved hver tilkobling. Tilkoblingene **må** kontrolleres med jevne mellomrom
- Forsikre deg om at sjøkranene er i stengt eller i av posisjon før du installerer eller utfører vedlikehold på toalettet.

- Hvis toalettet bruker ferskvann til nedspyling og til enhver tid er koblet direkte eller indirekte til et kommunalt vannsystem på land, **må** vanntilkoblingene på land kobles fra dersom båten er uten tilsyn (selv om båten er uten tilsyn i bare en kort periode).
- Bruk bare Dometic-reservedeler og komponenter som er spesifikt godkjente for bruk med apparatet.
- Unngå upassende installasjon, justeringer, endringer, service eller vedlikehold av apparatet. Service og vedlikehold **må** kun utføres av kvalifisert servicepersonell.
- Man må **ikke** modifisere på dette produktet på noen måte. Modifiseringer kan være ekstremt farlig.

MERKNAD: Man må **ikke** overfylle septiktanken eller så kan det oppstå skader på sanitærsystemet

2 Tiltenkt bruk

Tyngdekraft-skyllingstolettet (heretter referert til som toalettet) er designet og beregnet for installasjon i båter under eller etter produksjon. Dette toalettet er kun egnet for tiltenkt formål og bruk i samsvar med disse instruksjonene.

Denne veiledningen inneholder nødvendig informasjon for riktig installasjon og betjening av toalettet. Upassende installasjon og/eller feil betjening eller vedlikehold vil resultere i utilfredsstillende ytelse og feil kan muligens oppstå. Produsenten påtar seg intet ansvar for personskader eller skader på produktet som skyldes:

- Upassende montering eller tilkobling, inkludert overspenning
- Upassende vedlikehold eller bruk av andre reservedeler enn de originale reservedelene som leveres av produsenten
- Endringer på produktet uten ettertrykkelig tillatelse fra produsenten
- Bruk til andre formål enn de som er beskrevet i denne veiledningen

Dometic forbeholder seg retten til å endre på utseendet på produktet og produktspesifikasjonene.

3 Generell informasjon

Denne delen inneholder generell informasjon om toalettet og dets komponenter og dimensjoner.

i Bildene som brukes i dette dokumentet er kun til referanse. Komponenter og komponentplasseringer kan variere i henhold til spesifikke modeller av produktet. Målene kan variere ± 10 mm (0,38 tommer)

3.1 Verktøy og materialer

Dometic anbefaler at følgende verktøy og materialer brukes når man skal installerer apparatet.

Deler som er inkludert

Tyngdekraft-skyllingstolett

Septiktankens festeskruer med skiver (4)

Deler som installatør sørger for

Skroggjennomføring for utlufting

Utløpsgjennomføring for bruk ved tømme

16 mm (5/8 tomme) I.D. Maritimkvalitet sanitærslanger

38 mm (1,5 tommer) I.D. Maritimkvalitet sanitærslanger

Båndklemmer i rustfritt stål (8)

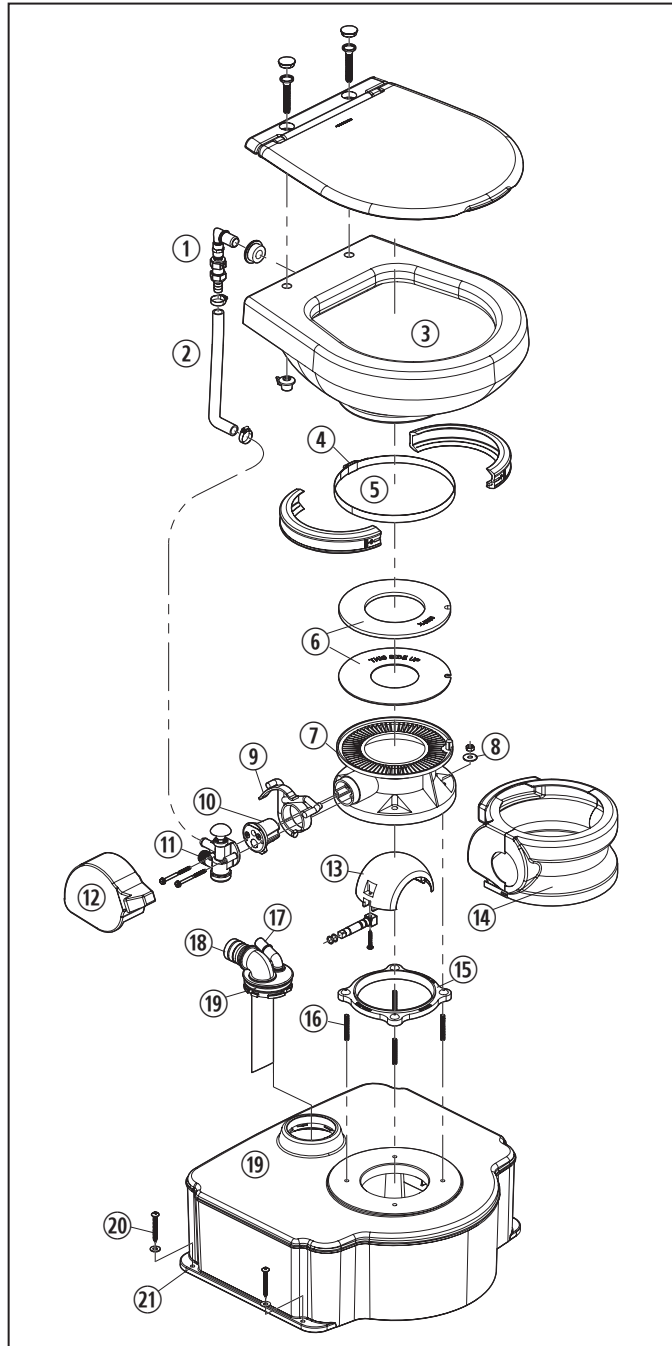
Vanntilførsel

Anbefalt verktøy

Boremaskin	Pan-head skrutrekker
Bor	Skrutrekker til båndklemmene
Tusj	Phillips skrutrekker

3.2 Komponent plasseringer

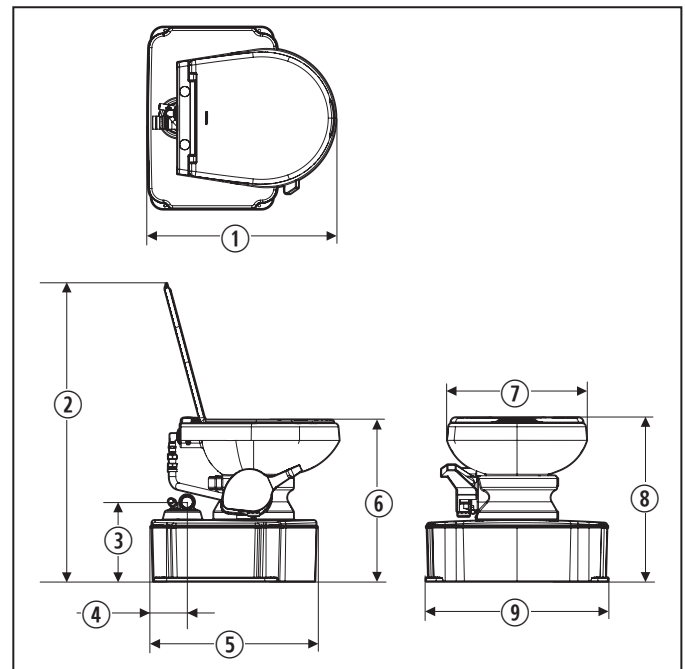
Denne delen identifiserer toalettets komponenter. Komponentene kan variere litt avhengig av modell.



- ① Enveisventil
- ② Tilførselsslange
- ③ Toalettskål
- ④ Justeringsmutter for båndklemme
- ⑤ Båndklemme for å feste toalettskålen til basen
- ⑥ Skylleballpakninger
- ⑦ Toalettets base
- ⑧ Muttere og skiver til montering av toalettet
- ⑨ Spak
- ⑩ Fjærpatron
- ⑪ Vannventil
- ⑫ Pedaldeksel
- ⑬ Skylleball
- ⑭ Sokkeldeksel
- ⑮ Sokkelpakning
- ⑯ Pigger
- ⑰ Tilkobling for ventilasjon
- ⑱ Tilkobling for utpumping
- ⑲ Septiktank
- ⑳ Muttere og skiver for montering av septiktanken
- ㉑ Hull for montering av septiktanken

3.3 Toalettets dimensjoner

Denne delen viser dimensjonene til M65-700 og M65-5000 toalettet.



2 M65-700 dimensjoner

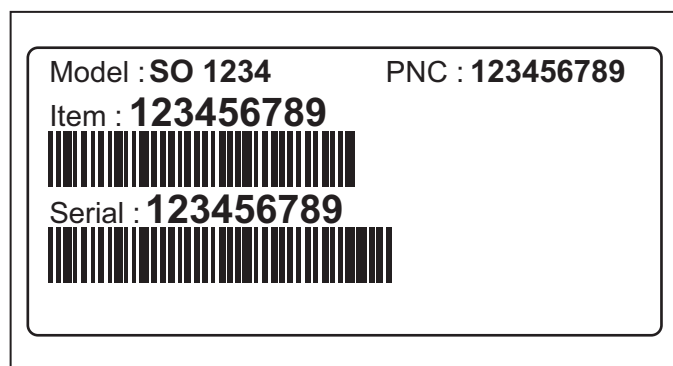
	M65-700	M65-5000
①	19,5 tommer (50 cm)	19,8 tommer (50 cm)
②	31,0 tommer (79 cm)	33,8 tommer (86 cm)
③	8,3 tommer (21 cm)	8,3 tommer (21 cm)

1 M65-700 Komponenter

	M65-700	M65-5000
④	3,8 tommer (10 cm)	3,8 tommer (10 cm)
⑤	17,3 tommer (44 cm)	17,3 tommer (44 cm)
⑥	17,3 tommer (44 cm)	18,8 tommer (48 cm)
⑦	14,5 tommer (37 cm)	14,8 tommer (38 cm)
⑧	17,5 tommer (45 cm)	19,8 tommer (50 cm)
⑨	18,8 tommer (48 cm)	18,8 tommer (48 cm)

3.4 Modellidentifisering

Modellidentifiseringsetiketten er plassert foran på basen av toalettet under sokkeldekselet. Se "Komponent plasseringer" på side 80.



3 Modellidentifiseringsetikett

4 Spesifikasjoner

Denne delen inneholder de generelle spesifikasjonene for toalettet.

Vekt M65-700	20.9 kg (46 pund)
Vekt M65-5000	22.2 kg (49 pund)
Ferskvann tilførselstrykk	35–40 psi
Størrelse på vanntilførselen	13 mm (0,5 tommer) NPT
Tilkobling for ventilasjon	16 mm (5/8 tomme) O.D.
Tilkobling for utpumping	38 mm (1,5 tommer) O.D.
Septiktankens kapasitet	24,6 L (6.5 gal)
Minimum vannforbruk ved nedspyling	0,5 L (0.1 gal)
Gjennomsnittlig vannforbruk ved nedspyling	1,0 L (0.3 gal)

5 Før installasjon

Denne delen beskriver trinnene du må fullføre før du installerer toalettet.

5.1 Forberedelser før installasjonen av toalettet

1. Velg en plassering på badet der toalettet kan betjenes og brukes på riktig måte. Pass på at det er god plass til å skyllepedalen og god klaring for å heve setet og lokket. Se "Toalettets dimensjoner" på side 80.
2. Slå av vanntilførselen til rommet der toalettet skal installeres.

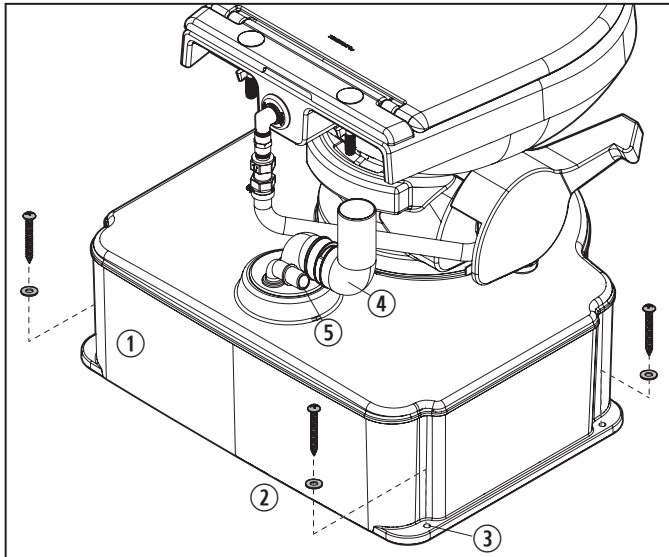
5.2 Fjerning av et eksisterende toalett

- i** Hvis det ikke er noe eksisterende toalett, gå videre til "Installasjon" på side 82.
1. Skyll ned i toalettet for å tømme ut vannet i toalettskålen.
 - i** Ha et håndkle eller en beholder klar for å samle opp eventuelt gjenværende vann.
 2. Koble fra og tøm vanntilførsellesledningen.
 3. Fjern festene som holder toalettet festet til gulvet.
 4. Fjern toalettet fra gulvet.
 5. Avhend toalettet, festene og annet avfall etter å ha fjernet toalettet.

6 Installasjon

Denne delen beskriver hvordan man installerer toalettet.

6.1 Montering av septiktanken



4 Plassering av septiktanken

- | | |
|---|--------------------------------------|
| ① Septiktank | ③ Hull for montering av septiktanken |
| ② Muttere og skiver til montering av septiktanken | ④ Tilkobling for utpumping |
| | ⑤ Tilkobling for ventilasjon |

1. Plasser baksiden av septiktanken 19 mm (0,8 tommer) fra vegg.
2. Merk plasseringen av monteringshullene på gulvet, og fjern deretter septiktanken.
3. Bor et lite hull for hvert av monteringshullene.
4. Sett septiktanken tilbake på plass.
5. Fest septiktanken til gulvet med monteringskruene og skivene som hører til septiktanken.

i Ikke stram til skruene for hardt.

6.2 Montering av skroggjennomføringen

1. Monter skroggjennomføringen i samsvar med produsentens instruksjoner.
 - i** Skroggjennomføringen bør plasseres med god margin over vannlinjen og rett over toalettet.
2. Bruk en 16 mm marinkvalitet sanitærslange fra skroggjennomføringen til ventilasjonstilkoblingen på septiktanken.

3. Fest slangen til ventilasjonstilkoblingen med to båndklemmer i rustfritt stål ved hver av de to tilkoblingene.

6.3 Montering av utløpstilkoblingen

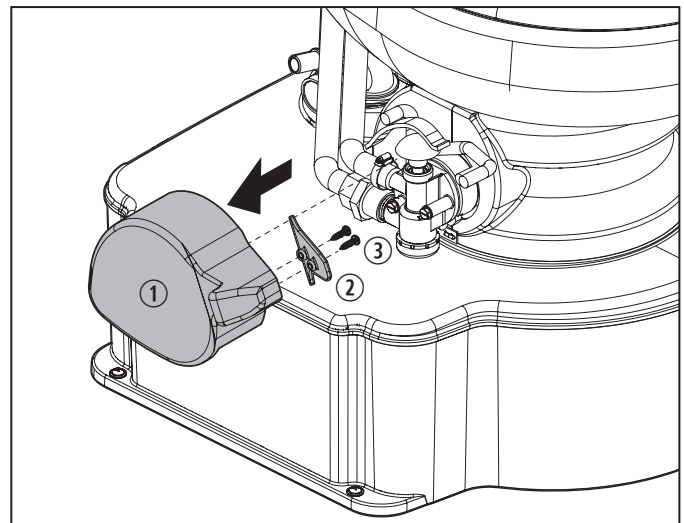
MERKNAD: Septiktanken til toalettet er designet for å tåle tømning fra en riktig fungerende utløpspumpe.

1. Monter utløpsgjennomføringen i samsvar med produsentens instruksjoner.

i Utløpsgjennomføringen bør plasseres i båtdekket direkte over toalettet.

2. Bruk en 38 mm (1,5 tommer) I.D. maritimkvalitet sanitærslange fra utløpsgjennomføringen til utløpstilkoblingen.
3. Fest slangen til tilkoblingene med to båndklemmer i rustfritt stål ved hver av de to tilkoblingene.

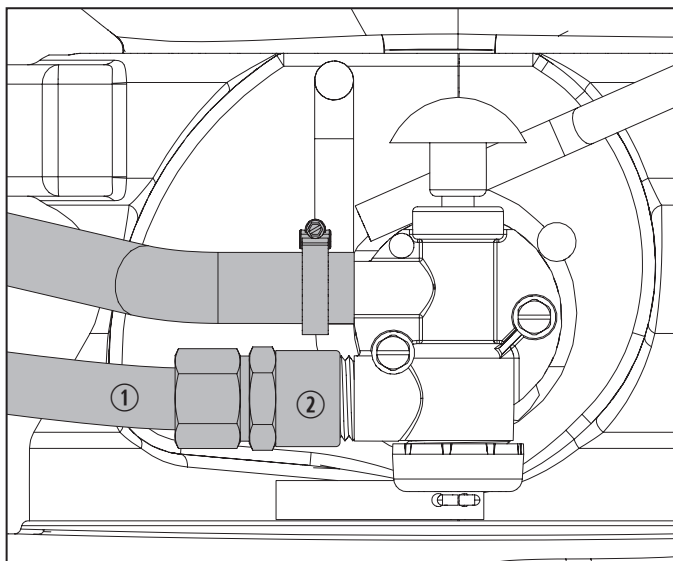
6.4 Tilkobling av vanntilførselen



5 Fjerning av pedaldekselet

- | | |
|---------------|----------|
| ① Pedaldeksel | ③ Skruer |
| ② Bakplate | |

1. Fjern de to skruene på baksiden av pedaldekselet.
2. Ta av pedaldekselet.



6 Vanntilførselstilkoblinger

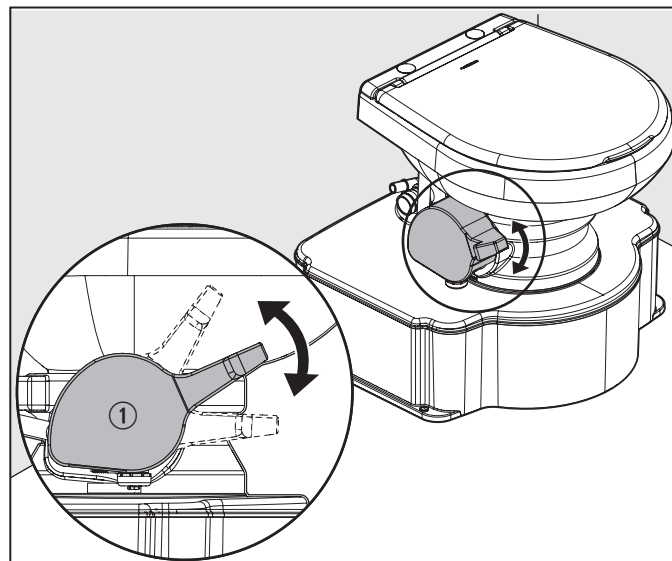
- ① Vanntilførselsledning ② Tilførselstilkobling

3. Fest vanntilførselsledningen til tilførselstilkoblingen.
4. Skru på vanntilførselen og skyll flere ganger for å sjekke om det er noen lekkasjer.
5. Sett på plass pedaldekselet igjen.
6. Sett på plass bakplaten igjen og fest den med skruene.

7 Betjening

MERKNAD: Skyll kun ned vann, kroppsavfall og hurtigopløselig toalettpapir. Man må **ikke** kaste feminine hygieneprodukter eller andre ikke-oppløselige gjenstander i toalettet.

Denne delen beskriver hvordan toalettet betjenes.



7 Betjening av pedalen

- ① Pedal

1. For å fylle vann i toalettet før bruk, løft pedalen.
2. For å skylle ut av toalettet, trykk pedalen helt ned til avfallet forsvinner ut av toalettskålen.

i Vanntrykket kan varieres på forskjellige steder, derfor kan det være nødvendig å holde pedalen nede i 4–8 sekunder. Hvis du holder nede spylepedalen lenger enn nødvendig, vil det føre til unødvendig vannforbruk.

3. Slipp pedalen og la den gå tilbake til utgangsposisjonen. En liten mengde vann bør være igjen i toalettskålen.

8 Feilsøking

i Det anbefales å alltid bruke personlig verneutstyr, slik som hansker og vernebriller når man utfører service på sanitærprodukter.

Tabellen nedenfor viser noen av de problemene som muligens kan oppstå når toalettet er i bruk, mulige årsaker til disse problemene og de anbefalte løsningene som bør iverksettes for å rette opp disse problemene.

Problem	Mulig årsak	Anbefalt løsning
Vannet blir ikke værende i toalettskålen.	Slangeklemmen som holder basen til toalettskålen er løs.	Stram til slangeklemmens justeringsmutter.
	Det er dårlig forsegling rundt spylekulen på grunn av skitt eller rusk på undersiden av spylekulen.	1. Inspiser spylekulen og undersiden av spylekulepakningen for skitt eller rusk. 2. Rengjør hvis nødvendig
	Spylekulepakningen er utslitt eller skadet.	1. Inspiser spylekulepakningen for slitasje eller skade. 2. Bytt ut ut spylekulepakningen hvis det er nødvendig.
	Utslitt eller skadet spylekule.	1. Inspiser spylekulen for slitasje eller skade. 2. Butt ut spylekulen hvis det er nødvendig.
Spylekulen stenger ikke helt.	Slangeklemmens mellom basen og doskålen er for stram og forårsaker for mye press på spylepakningen og spylekulen.	Løsne på slangeklemmens justeringsmutter.
	Fjærpatronen er svak eller defekt.	1. Trykk på pedalen og slipp den så med en gang. 2. Hvis pedalen ikke straks går tilbake til utgangsposisjonen, skift ut fjærpatronen .
Vannet fortsetter å renne ned i toalettet.	Smuss eller rusk sitter fast i vannventilen ¹	Demonter og rengjør vannventilen.
	Spaken er bøyd litt nedover og holder vannventilen åpen.	Bøy fronten av spaken opp omtrent 2 mm (0,1 tommer).
	Vannventilen er utslitt eller defekt.	Bytt ut vannventilen.
	Fjærpatronen er svak eller defekt.	1. Trykk på pedalen og slipp den så med en gang. 2. Hvis pedalen ikke straks går tilbake til utgangsposisjonen, skift ut fjærpatronen .
Vannet renner ikke ordentlig ned i toalettskålen	Lavt vanntrykk	Sjekk tilførsel vanntrykket. Se "Spesifikasjoner" på side 81.
	Vannventilen er tett	Ta ut og rengjør filteret
Det lekker vann fra vannventilen	Løse tilkoblinger	Stram til bunnheten, innløpstilkoblingen ¹ og slangeklemmen på utløpsslangen.
	Utslitt eller defekt vannventil	Bytt ut vannventilen.
	Vannledningstilkoblingen er ikke skrudd til på riktig måte	1. Forsikre deg om at innløpstilkoblingen sitter i gjengene på riktig måte 2. Stram til tilkoblingen
	Ødelagte gjenger på innløpstilkoblingen	Bytt ut vannventilen.
	Pakningen i vannventilen ¹ er utslitt eller mangler	
	Sprukket vannventil	
Det lekker vann fra baksiden av toalettskålen	Løs slangetilkobling på vanntilførselen	Stram til tilkoblingene på vanntilførselsslangen.
	Løs enveisventil	Stram til tilkoblingen mellom enveisventilen og toalettskålen.
	Utslitt eller defekt enveisventil	Bytt ut enveisventilen.
	Sprukket eller defekt toalettskål	Bytt ut toalettskålen.

¹En del av vannventilen

9 Vedlikehold

MERKNAD: Bruk **ikke** skuremidler, etsende kjemikalier, smøremidler eller rengjøringsmidler som inneholder klorin, alkohol eller petroleumsdestillater. Disse stoffene kan forårsake skade på de innvendige pakningene i toalettet.


Vedlikeholds- og rengjøringsinstruksjonene i denne delen bør utføres ved de intervallene som er angitt eller etter behov, avhengig av bruken av toalettet.

Unnlatelse av å vedlikeholde toalettet på riktig måte kan gjøre garantien ugjyldig og kan føre til usikker drift. Forebyggende vedlikehold dekkes ikke av garantien.

9.1 Rengjøring av toalettet

Toalettet bør rengjøres regelmessig med et mildt, ikke-slipende rengjøringsmiddel slik som Dometic toalettrensjøring.

Hvis det lukter vondt av toalettet.

1. Tøm septiktanken helt.
2. Bland 237 ml (8 oz) flytende biologisk nedbrytbar vaskesåpe med 20 L (5 gal) ferskvann og skyll gjennom toalettet.
 -  Ikke overskrid septiktankens kapasitet. Se "Spesifikasjoner" på side 81.
3. Tøm septiktanken
4. Etter rengjøring tilsett et luktkontrollprodukt i mengden spesifisert for septiktankens kapasitet og jevnlig med noen få dagers mellomrom ved bruk.

9.2 Systemvedlikehold

Vedlikeholdsprosedyrer varierer stort og avhenger av faktorer som hyppighet av bruk og kvaliteten på spylevannet osv. Oversikten gir generelle retningslinjer slik at toalettet skal være klart til bruk når som helst.

Vedlikeholdsprosedyre	Serviceintervall
Kontroller alle slangetilkoblingene og slangeklemmene	Månedlig
Sjekk filteret i vannventilen	Årlig
Butt ut pakningen på spyleballen og spyleballen (hvis nødvendig)	Hvert tredje år


9.3 Anbefalte reservedeler

Når du bruker en båt eller et annet kjøretøy i avsidesliggende områder, bør du ha følgende reservedeler tilgjengelig for å sikre kontinuerlig drift av toalettssystemet.

- Spyleball , stag og fjærpatronen er svak eller defekt.
- Pakningssett
- Vannventilsett

9.4 Klargjøring av toalettet for vinteren

På slutten av hver sesong bør toalettet klargjøres for vinterlagring.

1. Tøm septiktanken.
2. Skyll gjennom systemet grundig med ferskvann.
3. Steng av vanntilførselen til toalettet.
 -  Ha et håndkle eller en beholder klar for å samle opp eventuelt gjenværende vann.
4. Koble fra vanntilførselsledningen og skyll ut av toalettet for å tømme ut resterende vann.
5. Tøm septiktanken.

10 Avhending



Plasser emballasjen sammen med den riktige typen søppel for resirkulering, der det er mulig. Kontakt et lokalt resirkuleringscenter eller spesialforhandler for detaljer om hvordan du avhender produktet i samsvar med alle gjeldende nasjonale og lokale forskrifter.

11 Garantiinformasjon

Se avsnittene nedenfor for informasjon om garanti og garantistøtte i USA, Canada, Australia, New Zealand og alle andre regioner.

11.1 USA og Canada

BEGRENSET TO ÅRS GARANTI TILGJENGELIG PÅ DOMETIC.COM/EN-US/TERMS-AND-CONDITIONS-CONSUMER/WARRANTY.

HVIS DU HAR NOEN SPØRSMÅL ELLER VIL HA EN KOPI AV DENNE BEGRENSEDE GARANTIEN GRATIS, KONTAKT:

DOMETIC CORPORATION
CUSTOMER SERVICE
13128 STATE ROUTE 226
BIG PRAIRIE, OH USA 44611
1-800-321-9886
011-330-439-5550

11.2 Landene i Asia-Pacific (APAC) regionen

Hvis produktet ikke fungerer som det skal, vennligst kontakt forhandleren eller produsentens avdeling i ditt land (se baksiden av denne brukerveiledningen for nettadresser og for å finne din region eller forhandler). Garantien som gjelder for ditt produkt er på to år.

For reparasjon og garantibehandling, vennligst legg ved følgende dokumenter når du sender inn enheten:

- En kopi av kvitteringen som viser kjøpsdato
- Årsaken til garratikravet eller en beskrivelse av feilen

11.2.1 Gjelder kun for Australia

Varene våre kommer med garantier som ikke kan utelukkes som dekkes av den australske forbrukerloven. Du har rett til erstatning eller refusjon for en større feil og kompensasjon for ethvert annet rimelig forutsigbart tap eller skade. Du har også retten til å få varene reparert eller erstattet dersom varene ikke er av akseptabel kvalitet selv om feilen ikke utgjør en større feil.

11.2.2 Gjelder kun for New Zealand

Denne garantipolicyen er underlagt betingelsene og garantiene som er obligatoriske som det henvises til i Consumer Guarantees Act 1993(NZ).

11.3 Alle andre regioner

Den lovpålagte garantiperioden gjelder. Hvis produktet er defekt, vennligst kontakt produsentens avdeling i din region eller din forhandler (se baksiden av denne bruksanvisningen for nettadressene og for å finne din region eller forhandler).

For reparasjon og garantibehandling, vennligst legg ved følgende dokumenter når du sender inn enheten:

- En kopi av kvitteringen som viser kjøpsdato
- Årsaken til garratikravet eller en beskrivelse av feilen



dometic.com

CONTACT US

dometic.com/en-us/terms-and-conditions-consumer/contact-us

A complete list of Dometic companies, which comprise the Dometic Group, can be found in the public filings of:
DOMETIC GROUP AB Hemvärnsgatan 15 SE-17154 Solna Sweden