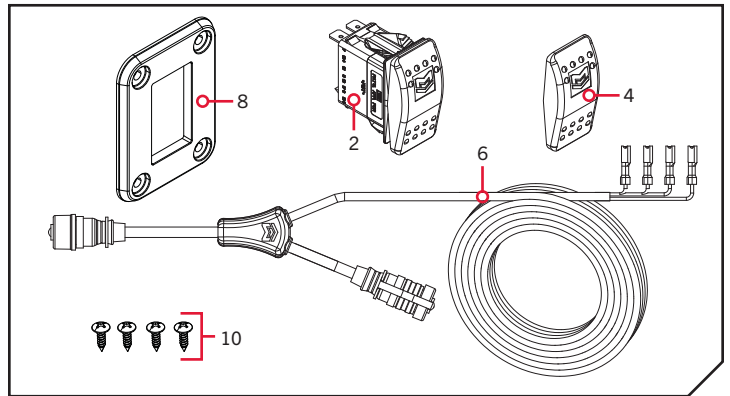


Compatible with Ulterra QUEST and Riptide Instinct QUEST trolling motors.

Item / Assembly	Part #	Description	Qty.
2	2374015	SWITCH-REMOTE POWER (BLACK)	1
4	2374106	FACEPLATE-RMT PWR SWTCH BLK (BLACK)	1
	2374105	FACE PLATE-REMOTE PWR SWTCH (WHITE)	1
6	2377415	HARNESS 30',RMT PWR SWITCH	1
8	2376466	FACEPLATE, RCKER SWITCH BLK (BLACK)	1
	2376467	FACEPLATE, RCKER SWITCH WHT (WHITE)	1
10	2373408	SCRW-#6X½ PH THRED FRMNG SS	4
▲	2377180	INSTR.SHEET,MKR-30 P.SWITCH	1

✳ This part is included in an assembly and cannot be ordered individually.
 ▲ Not shown on Parts Diagram.



TOOLS AND RESOURCES REQUIRED

- Flat Blade Screwdriver
- #2 Phillips Screwdriver
- Masking Tape
- Rotary tool, keyhole saw, or similar cutting tool
- Awl
- Drill
- File or sandpaper
- Scissors
- 7/64" (0.109) Drill Bit

MOUNTING CONSIDERATIONS

The Remote Power Switch is a common rocker style switch. When operating the Remote Power Switch, the switch returns to its start position after being pressed. If installed and connected to a power source, the LED on the Remote Power Switch is illuminated when the switch is "on". The brightness of the LED on the Remote Power Switch is parallel to the brightness of the LEDs on the trolling motor to which the switch is connected. Refer to the trolling motor manual to set the LED brightness. The Remote Power Switch is designed to be installed on a standard marine switch panel.

Before installing the Remote Power Switch, please give consideration to the following:

1. The panel switch opening should be 0.83 in (53/64") wide and 1.45 in (1-29/64") high.
2. The panel thickness accepting the Remote Power Switch should be between 1/32" and 3/16" thick.
3. The Switch Face Plate needs a flat mounting location of no less than 1.97" wide and 2.59" high.
4. Ensure the area under the mounting location is clear, and the Remote Power Switch will not damage or obstruct existing components or wiring below the mounting surface.
5. Make sure that the trolling motor Power Leads and Wire Harness provided with the Remote Power Switch are not connected to a power source before installation.
6. Test that the Wire Harness can reach the intended mounting location. The Wire Harness is 30' long and needs to reach from the Remote Power Switch to the trolling motor. It is recommended that there is enough slack in the Wire Harness to route in a manner that it is not a tripping hazard for the final installation.

There are three options for installing the Remote Power Switch:

1. Install the Remote Power Switch on a standard marine panel already present on the boat.
2. Complete the installation of the Remote Power Switch following the directions provided.
3. Have the installation completed by a qualified marine technician.

WARNING

Make sure the power source is disconnected or, if controlled by a switch, turned OFF before beginning installation of the Remote Power Switch. Failure to remove power from the trolling motor could cause electric shock.

NOTICE: If uncomfortable making this installation, Minn Kota recommends to have the Remote Power Switch installed by a qualified marine installer.

> Installing the Remote Power Switch

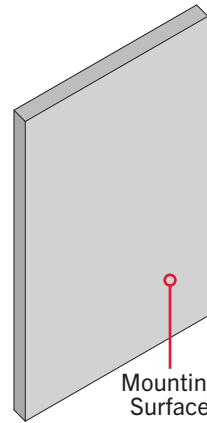
Minn Kota recommends installing the Remote Power Switch on a standard switch panel. This may be as simple as inserting the switch into an existing switch panel. If installing the Remote Power Switch into an existing switch panel is not an option, follow the instructions below to custom install the Remote Power Switch at the desired location. If custom installing the Remote Power Switch, Minn Kota recommends having a flat mounting surface that measures no less than 1.97" wide and 2.59" high. The mounting surface should be flat and free to drill holes. Review the mounting considerations at the beginning of the installation for all mounting recommendations.

1

- a. Review the mounting considerations at the beginning of the installation and select a mounting location.
- b. Take scissors and cut out the mounting template. It is located on the back of the clam card included in the packaging. Cut out the center rectangle of the template where the Remote Power Switch Body will be installed.

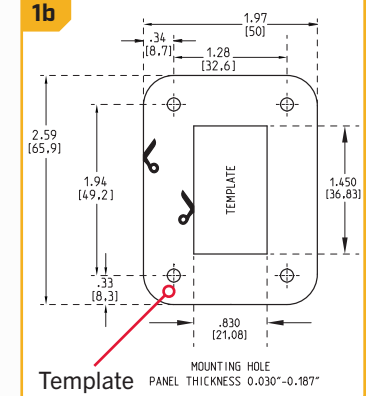
NOTICE: It may be necessary to cover the intended location with masking tape to prevent any unintended scuffs or minor imperfections that may be caused by slipping or scratches from installation tools.

1a



Mounting Surface

1b



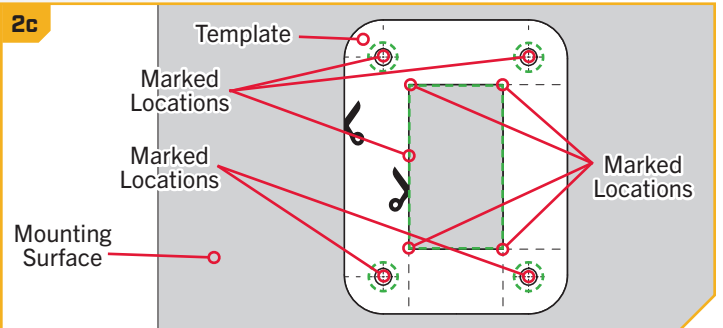
Template

MOUNTING HOLE PANEL THICKNESS 0.030"-0.187"

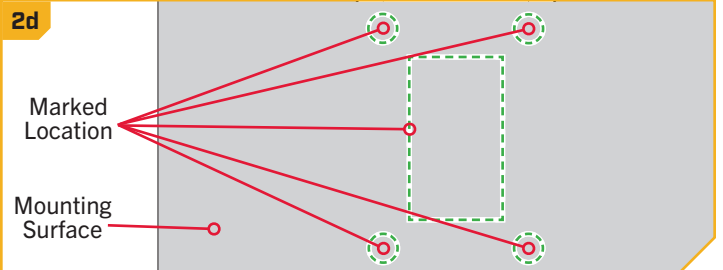
2

- c. Place the template over the mounting location. Make sure the direction of the template matches the intended direction of the Remote Power Switch. If necessary, place the Remote Power Switch over the template to double-check the intended mounting position.
- d. Use an awl or similar tool to mark all four screw holes on the corners of the template. Mark the four corners on the inside of the template where the rectangle was removed. The inside rectangle will measure 0.83" wide by 1.45" high when complete. Mark the perimeter of the rectangle on the inside of the template. Set the template aside.

2c



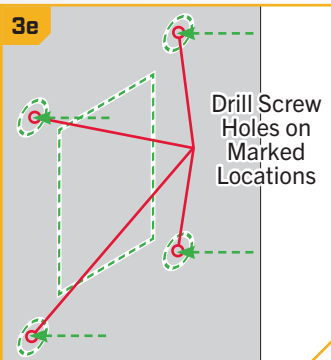
2d



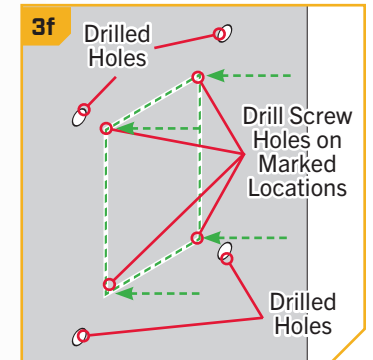
3

- e. Use a Drill with a 7/64" (0.109) Drill Bit to drill all four of the screw holes.
- f. Drill all four corners on the marked location on the inside of the small rectangle. The four drill holes that make up a small rectangle on the inside of the template will be connected to make a hole in the mounting location.

3e

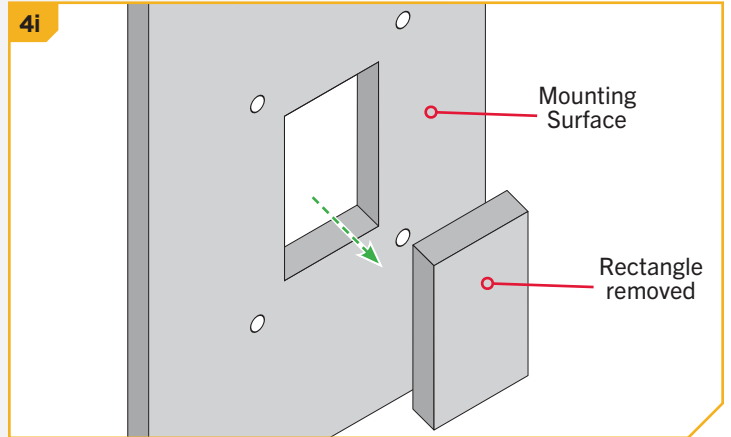
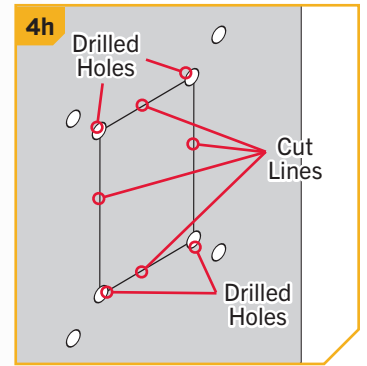
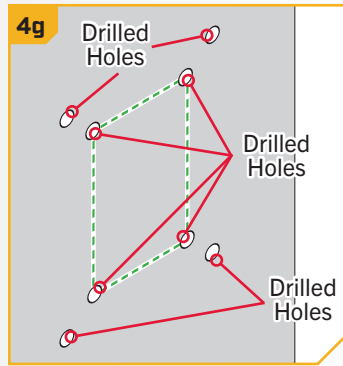


3f



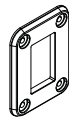
4

- g. Once all four corners inside of the intended mounting location are drilled, take a Rotary tool, keyhole saw, or similar cutting tool to connect the corners.
- h. Using the cutting tool, connect the four drilled holes in the shape of a rectangle. Cut the inside perimeter lines between the four drilled corners of the small rectangle.
- i. With the inside perimeter cut to connect the four drilled corners, the rectangular hole in the mounting location should fall out or be easily removed. If used, remove the masking tape covering the mounting location. Use a file or sandpaper to smooth the edges of the mounting hole if desired.



5

ITEM(S) NEEDED



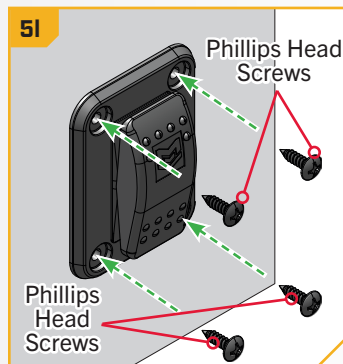
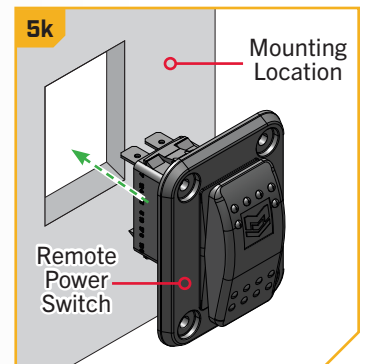
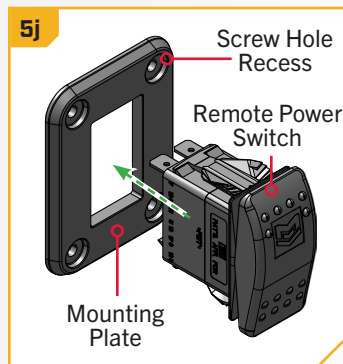
#8 x 1



#2 x 1

#10 x 4

- j. Take the Mounting Plate (Item #8) and press the Remote Power Switch (Item #2) into it. The screw hole recess for the Mounting Plate should face forward. Press the pieces together until the Remote Power Switch is fully inserted.
- k. Take the Mounting Plate with the Remote Power Switch installed and place it over the mounting hole cut into the Mounting Location. Make sure the Switch is right-reading.
- l. Take the four #6 x 1/2 Phillips Head Screws (Item #10) and place one screw in each hole.
- m. Using a #2 screwdriver, install the screws on the four corners of the Mounting Plate. Hand tighten.



▶ Connecting the Wire Harness to the Remote Power Switch

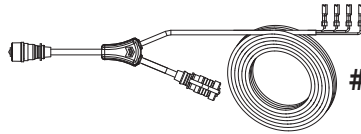
Once the Remote Power Switch is installed on the boat, it should be connected to the Wire Harness. Each installation is unique, and it may be necessary to install the Wire Harness before the Power Switch. Review your installation to determine the appropriate sequence for connecting the Wire Harness to the Power Switch.

1

ITEM(S) NEEDED

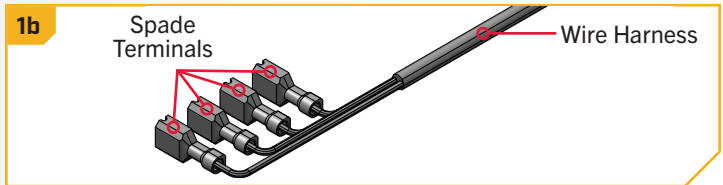
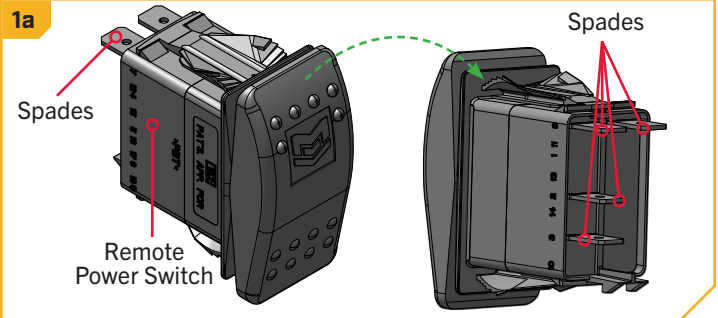


#2 x 1



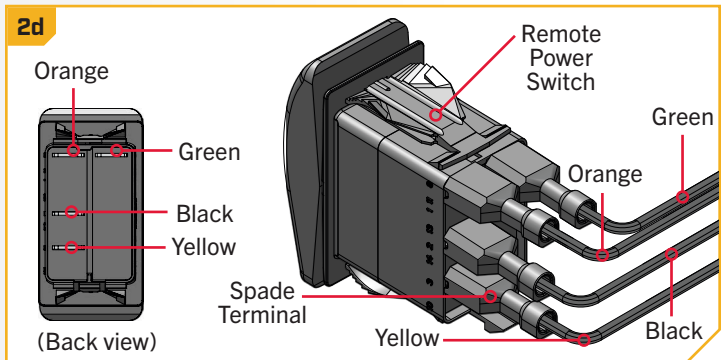
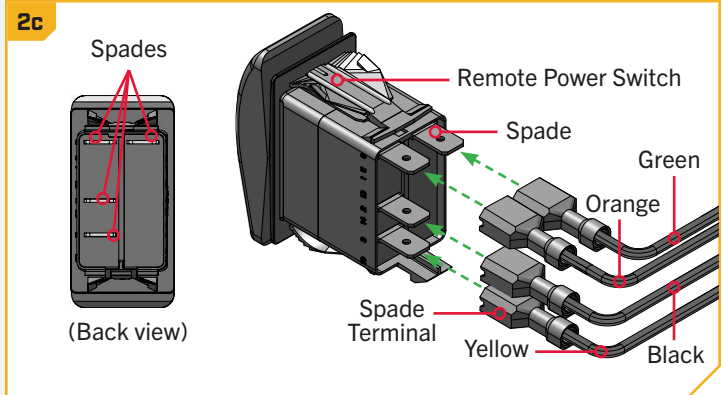
#6 x 1

- a. Take the Remote Power Switch (Item #2) and identify the four Spades for electrical connections. The Spades are located opposite the Faceplate. With the Minn Kota logo right-reading, rotate the Remote Power Switch, so the Spades are facing forward.
- b. Take the Wire Harness (Item #6) and identify the end with the four Spade Terminals. The Spade Terminals on the Wire Harness are color-coded with one terminal in orange, green, yellow, and black.



2

- c. Working from the bottom to the top, attach the Spade Terminals to the Spades on the back of the Remote Power Switch. Begin with the yellow Spade Terminal on the bottom left. Connect the black Spade Terminal above the yellow one in the middle left. The orange Spade Terminal should be connected on the top left and the green Spade Terminal on the top right.
- d. Connect all of the Spade Terminals until they are fully seated against the back of the Remote Power Switch.



Connecting the Wire Harness to the Trolling Motor

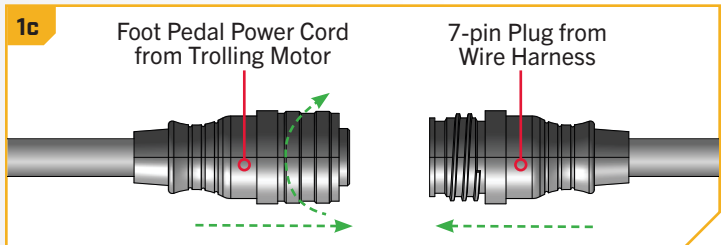
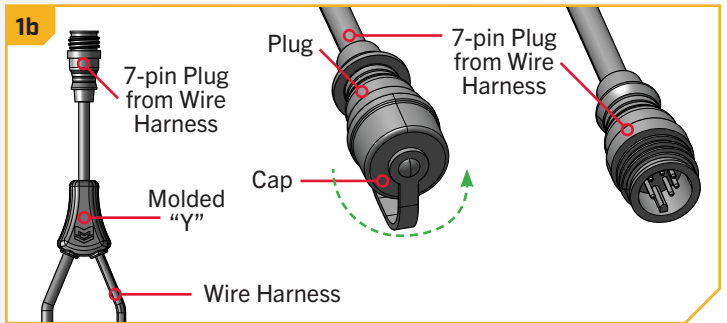
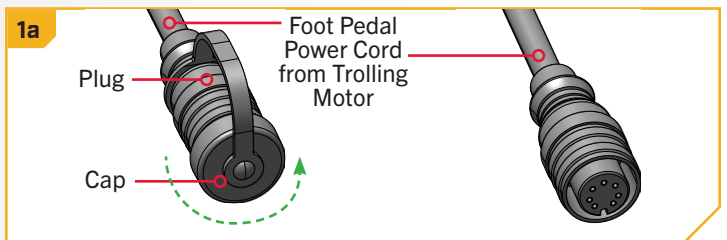
Once the Wire Harness is connected to the Power Switch, it should be connected to the trolling motor.

1

- Locate the Foot Pedal Power Cord on the trolling motor. It will exit the base of the mount on the trolling motor next to the Power Leads. The Cord will have a Plug covered by a Cap at the end. Unscrew the Cap on the Plug by turning it counterclockwise.
- Locate the 7-pin Plug on the Wire Harness. When holding the Wire harness at the "Y" with the molded Minn Kota logo right-reading, the correct Plug is above the "Y". A Cap will cover the 7-pin Plug at the end. Unscrew the Cap on the Plug by turning it counterclockwise.
- Align the 7-pin Plug from the Wire Harness with the Plug on the Foot Pedal Power Cord. Firmly push the Plugs together. Secure the connection by rotating the collar on the Foot Pedal Power Cord in a clockwise direction.

NOTICE: The connectors are keyed to prevent reversed installation.

NOTICE: Leave caps in place to prevent water intrusion when not connected.

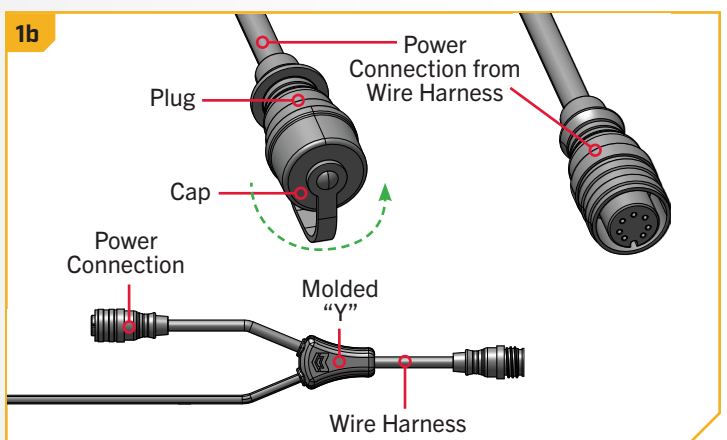
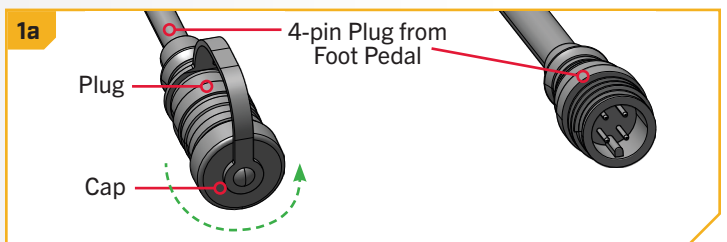


Connecting the Wire Harness to the Foot Pedal

If it is desired that the Foot Pedal is connected to the trolling motor, complete the connection of the Foot Pedal to the Wire Harness.

1

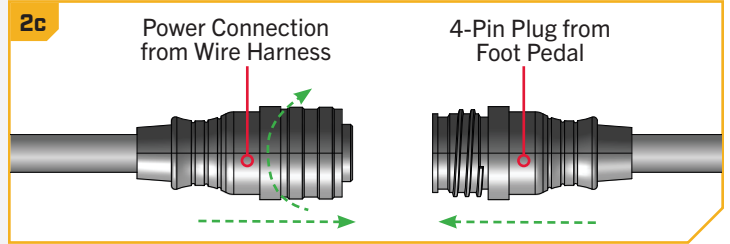
- Locate the 4-pin Plug on the Foot Pedal. A Cap will cover the 4-pin Plug at the end. Unscrew the Cap on the Plug by turning it counterclockwise.
- Locate the Plug for Power Connection on the Wire Harness. When Holding the Wire Harness at the "Y" with the molded Minn Kota logo right-reading, the Power Connection is below the "Y". The Power Connection will have a Plug covered by a Cap at the end. Unscrew the Cap on the Plug by turning it counterclockwise.



2

- c. Align the 4-Pin Plug from the Foot Pedal with the Plug for the Power Connection on the Wire Harness. Firmly push the Plugs together. Secure the connection by rotating the collar on the Wire Harness in a clockwise direction.

NOTICE: The connectors are keyed to prevent reversed installation.



› Replace the Faceplate

The MKR-30 Power Switch comes from the factory with the black Faceplate. Based on the aesthetics of the installation, it may be desired to switch the Faceplate to white or replace the black Faceplate. Follow these instructions to remove the Faceplate and replace it.

1

ITEM(S) NEEDED

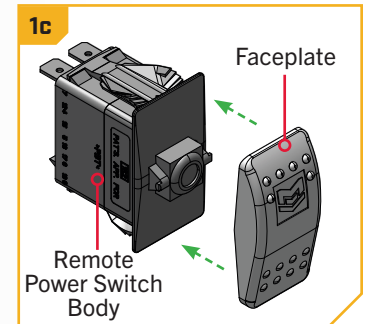
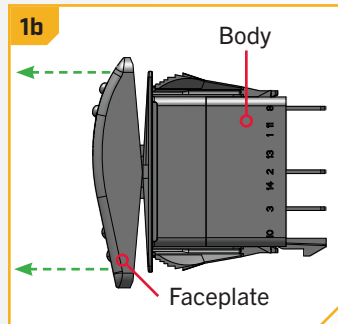
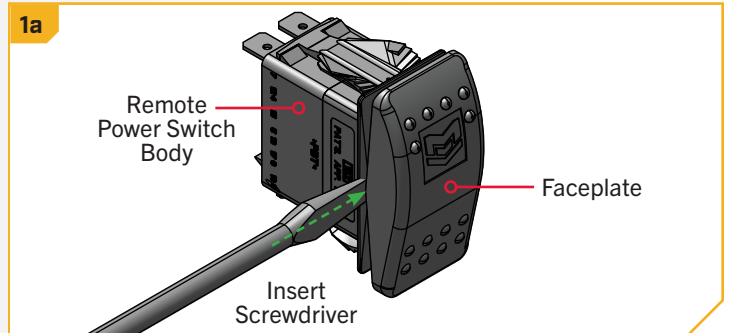


#2 x 1



#4 x 1

- a. Take the Remote Power Switch (Item #2) and hold it so that the Faceplate is positioned forward and the Minn Kota logo badge is right-reading. Carefully insert a Flat Blade Screwdriver between the attached Faceplate and the body of the Remote Power Switch.
- b. Slowly pry the Faceplate forward using the screwdriver so that it pops off the body of the switch. Set the screwdriver and Faceplate aside.
- c. Keeping the body of the Remote Power Switch in the same position, take the Power Switch Faceplate (Item #4) and place it over the body of the Remote Power Switch so that the Minn Kota logo is right-reading. Center the Faceplate over the body of the switch.
- d. Apply gentle and equal pressure to the top and bottom of the Faceplate until it snaps into place.



For warranty information, please visit minnkota.johnsonoutdoors.com.



Minn Kota Consumer & Technical Service
Johnson Outdoors Marine Electronics, Inc.
PO Box 8129
Mankato, MN 56001

121 Power Drive
Mankato, MN 56001
Phone (800) 227-6433
Fax (800) 527-4464



©2023 Johnson Outdoors Marine Electronics, Inc.
All rights reserved.