

# **KICKER**

---

## **PS**

*Coaxial Speakers*

PS42 | PS44

**English Version**

**Versión Español**

Altavoces Coaxiales PS

**Deutsche Version**

PS Koaxial-Lautsprecher

**Version Francaise**

Haut-parleurs Coaxiale PS

Authorized KICKER Dealer: \_\_\_\_\_

Purchase Date: \_\_\_\_\_

## **PERFORMANCE**

|  |                          |
|--|--------------------------|
| Woofer Size   in [mm]                              | 4 [100]                  |
| Tweeter Size   in [mm]                             | 3/4 [20]                 |
| Frequency Response   Hz                            | 100–20,000               |
| Max Recommended Amplifier Power [Watts]   PEAK/RMS | 100/50                   |
| Sensitivity [SPLo]   dB @ 1W, 1m                   | 85.756                   |
| Nominal Impedance [Zn]   ohm                       | 2Ω (40PS42), 4Ω (40PS44) |
| Weight   oz [g]                                    | 11.9 [338]               |
| Mounting Hole Diameter   in [mm]                   | 3 5/8 [93]               |
| Mounting Depth   in [mm]                           | 1 11/16 [43]             |
| Top Mount Height   in [mm]                         | 3/4 [19]                 |

## **Package Contents:**

- |  |                                   |
|--|-----------------------------------|
| <b>(2)</b> PS4 Speakers                          | <b>(2)</b> 12" wiring harnesses   |
| <b>(8)</b> M4 x 25mm pan cross head woodscrews   | <b>(8)</b> M4 speed nuts          |
| <b>(4)</b> 22ga, red crimp-style butt connectors | <b>(2)</b> 4" to 5" Adapter plate |
| <b>(2)</b> Grilles                               | <b>(2)</b> Kicker badges          |

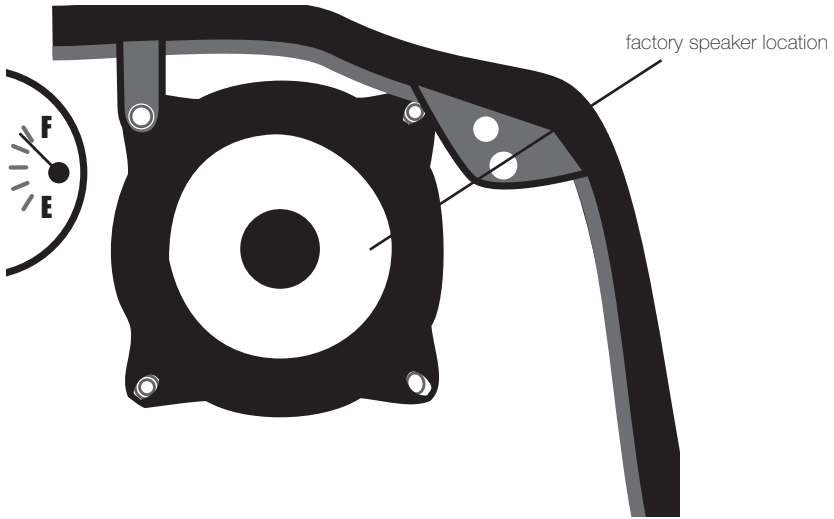
## **INSTALLATION**

Please refer to your bike's factory service manual for disassembly/installation information. Typically, you should retain all factory screws, hardware, and grilles when upgrading your bike to a KICKER system. The KICKER PS4 is compatible with factory locations and 4" or 5" (with adapter plate) audio systems. If you are doing a custom installation, be careful not to drill into wiring or vehicle mechanisms. You are solely responsible for securely mounting the speakers. Use the included grilles after performing a custom installation.

**1. Remove your bike's instrument panel per manufacturer's service manual.**

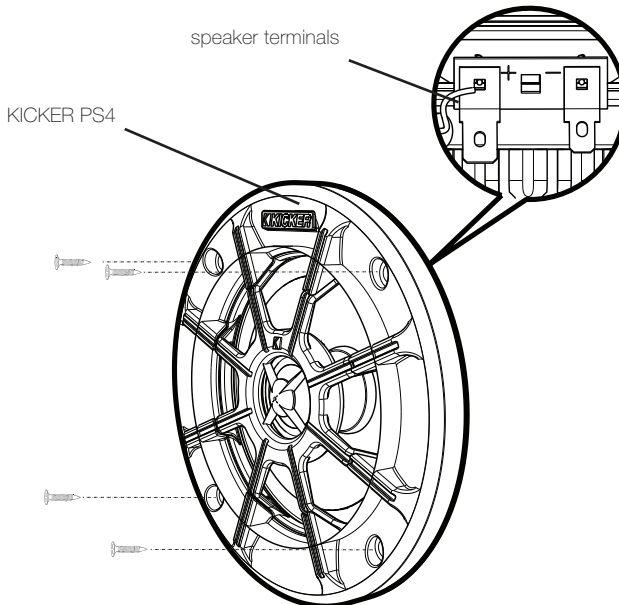
**2. Remove factory speakers.**

Remove the screws securing the factory speakers.  
Remove the speaker connectors while removing the factory speaker.



**3. Install PS4 in factory location.**

Connect the factory speaker connectors to the PS4 terminals.  
Mount the PS4 to the desired location and secure using the 25mm screws and nuts. Use the adapter plate if you're installing the PS4 in place of a 5" speaker.  
Re-install your bike's access panel in the reverse order you disassembled it.



Distribuidor autorizado de KICKER: \_\_\_\_\_

Fecha de compra: \_\_\_\_\_

**RENDIMIENTO**

|  |                          |
|--|--------------------------|
| Tamaño del Woofer   plg [mm]                                     | 4 [100]                  |
| Tamaño del Tweeter   plg [mm]                                    | 3/4 [20]                 |
| Respuesta de frecuencia   Hz                                     | 100–20,000               |
| Potencia Máxima Recomendada del Amplificador [Vatios]   PICO/RMS | 100/50                   |
| Sensitividad [SPLo]   dB a 1W, 1m                                | 85.756                   |
| Impedancia nominal [Zn]   ohmio                                  | 2Ω (40PS42), 4Ω (40PS44) |
| Peso   oz [g]  | 11,9 [338 g]             |
| Diámetro del orificio de montaje   in [mm]                       | 3 5/8 [93]               |
| Profundidad del montaje   pulg. [mm]                             | 1 11/16 [43]             |
| Altura del montaje superior   pulg. [mm]                         | 3/4 [19]                 |

**Contenido del paquete:**

- |   |   |
|---|---|
| <b>(2)</b> Parlantes PS4                                    | <b>(2)</b> Arneses de cables de 12"       |
| <b>(8)</b> Tornillos de cruz para madera M4 x 25mm          | <b>(8)</b> Tuercas rápidas M4             |
| <b>(4)</b> Conectores de tope de tipo prensable 22ga, rojos | <b>(2)</b> Placa de adaptación de 4" a 5" |
| <b>(2)</b> Rejillas   | <b>(2)</b> Emblemas Kicker                |

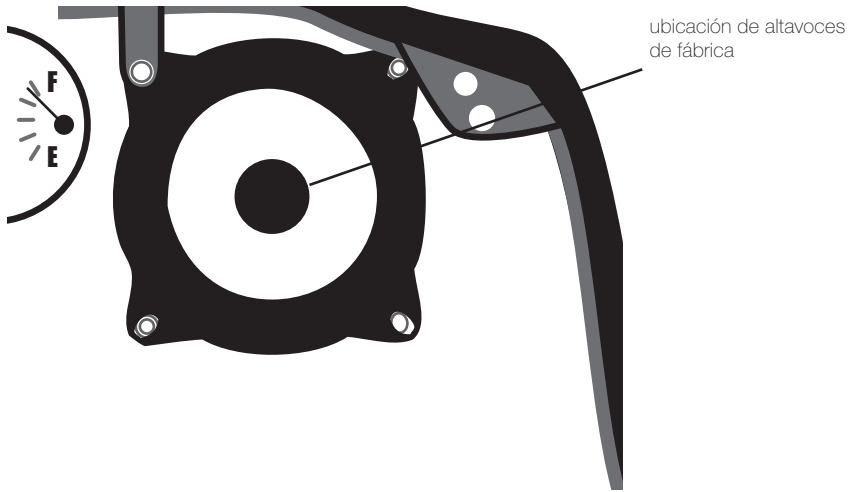
**INSTALACIÓN**

Consulte el manual de reparaciones de fábrica de su bicicleta para ver información sobre el desmontaje/instalación. De manera típica, usted debe conservar todos los tornillos, herrajes y rejillas de fábrica cuando actualice su bicicleta a un sistema KICKER. El KICKER PS4 es compatible con ubicaciones de fábrica y sistemas de audio de 4" o 5" (con placa adaptadora). Si usted está haciendo una instalación de modificación, tenga cuidado de no perforar entre el cableado o los mecanismos del vehículo. Usted es el único responsable de montar los altavoces de manera segura. Use las rejillas incluidas después de realizar una instalación personalizada.

**1. Quite el panel de instrumentos de su bicicleta conforme al manual de servicio del fabricante.**

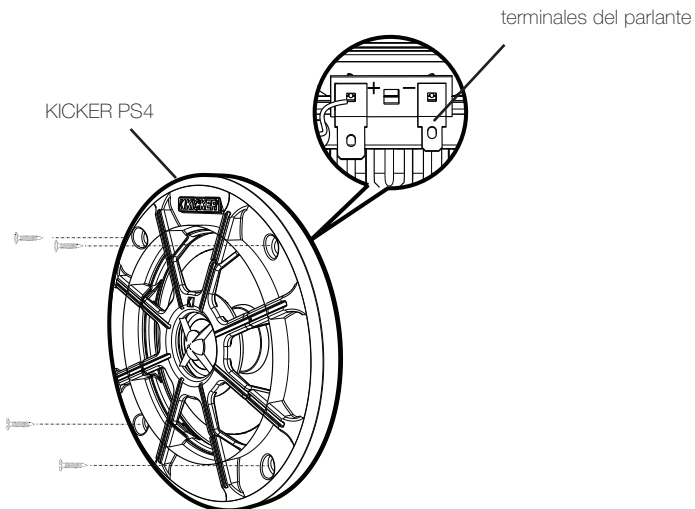
**2. Quite los parlantes originales.**

Quite los tornillos que sostienen los parlantes originales.  
Quite los conectores del parlante mientras retira el parlante original.



**3. Instale el PS4 en la ubicación original.**

Instale los conectores del parlante original con los terminales del PS4.  
Monte el PS4 en la ubicación deseada y asegúrelo usando los tornillos de 25 mm y las tuercas. Use la placa adaptadora si está instalando el PS4 en lugar de un parlante de 5".  
Reinstale el panel de acceso de su moto en el orden inverso a como lo desensambló.



Autorisierter KICKER-Händler: \_\_\_\_\_

Kaufdatum: \_\_\_\_\_

## LEISTUNG

|   |  |
|---|--|
| Größe Woofer   Zoll [mm]                            | 4 [100]                                  |
| Größe Tweeter   Zoll [mm]                           | 3/4 [20]                                 |
| Frequenzgang   Hz                                   | 100–20,000                               |
| Maximale empfohlene Verstärkerleistung   [PEAK/RMS] | 100 /50                                  |
| Empfindlichkeit [SPLo]   dB @ 1W, 1m                | 85,756                                   |
| Nennimpedanz [Zn]   Ohm                             | 2 $\Omega$ (40PS42), 4 $\Omega$ (40PS44) |
| Gewicht   oz [g]                                    | 11,9 [338 g]                             |
| Durchmesser Montageloch   Zoll [mm]                 | 3 5/8 [93]                               |
| Einbautiefe     Zoll [mm]                           | 1 11/16 [43]                             |
| Einbauhöhe   Zoll [mm]                              | 3/4 [19]                                 |

## Packungsinhalt:

- |  |                                    |
|--|------------------------------------|
| <b>(2)</b> PS4-Lautsprecher                              | <b>(2)</b> Kabelbäume 12"          |
| <b>(8)</b> Flachkopfkreuzschlitz-Holzschrauben M4 x 25mm | <b>(8)</b> Blechmuttern M4         |
| <b>(4)</b> 22ga, roter Crimp-Stoßverbinder               | <b>(2)</b> Adapterplatte 4" bis 5" |
| <b>(2)</b> Gitter  | <b>(2)</b> Kicker Abzeichen        |

## INSTALLATION

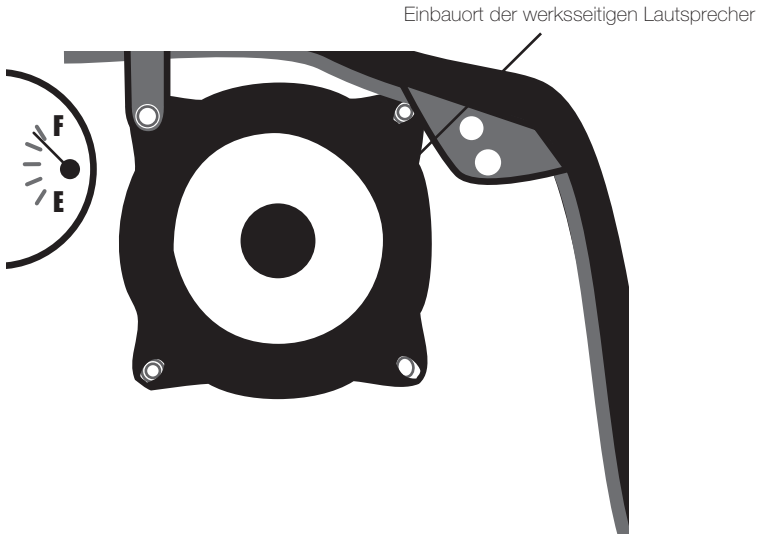
Bitte beachten Sie die Betriebsanleitung zu Ihrem Motorrad bezüglich Demontage-/Montagehinweisen. Normalerweise sollten Sie alle Schrauben, Teile und Gitter des Herstellers aufbewahren, wenn Sie Ihr Motorrad mit einem KICKER System aufrüsten. Das KICKER PS4 System ist kompatibel mit den Einbauorten des Herstellers und den Audiosystemen in 4" oder 5" (mit Adapterplatte). Wenn Sie eine benutzerdefinierte Installation vornehmen, achten Sie darauf, dass Sie nicht in die Verdrahtung oder in Teile des Motorrads hineinbohren. Sie sind allein verantwortlich für die sichere Montage der Lautsprecher. Verwenden Sie die mitgelieferten Gitter, wenn eine benutzerspezifische Installation durchgeführt wurde.

# 1. Entfernen Sie die Instrumententafel Ihres Motorrads entsprechend der Betriebsanleitung.

## 2. Entfernen Sie die werksseitigen Lautsprecher.

Entfernen Sie die Schrauben, mit denen die werksseitigen Lautsprecher befestigt sind.

Entfernen Sie die Lautsprecheranschlüsse beim Abmontieren der werksseitigen Lautsprecher.

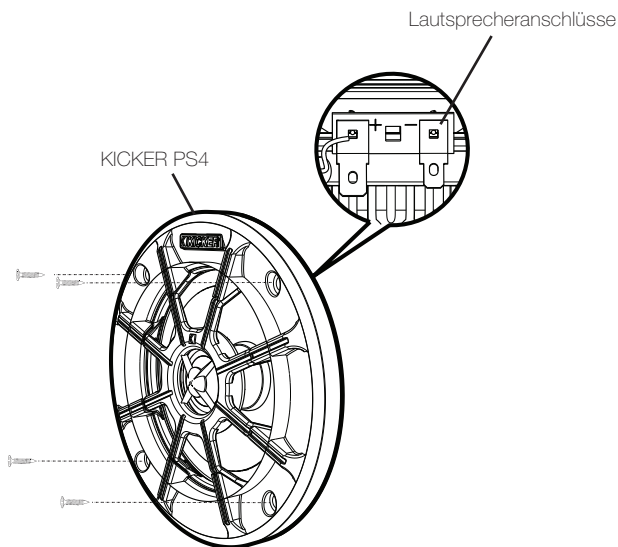


## 3. Installieren des PS4-Systems am werksseitigen Einbauort

Schließen Sie die werksseitigen Lautsprechersteckverbinder an den PS4-Klemmen an.

Montieren Sie das PS4-System in der gewünschten Position und befestigen Sie es mit den 25-mm-Schrauben und -Muttern. Verwenden Sie die Adapterplatte, wenn Sie das PS4-System anstelle eines 5-Lautsprechers installieren.

Befestigen Sie die Motorradabdeckung wieder in umgekehrter Reihenfolge.



Revendeur agréé KICKER : \_\_\_\_\_

Date d'achat : \_\_\_\_\_

**PERFORMANCES**

|   |  |
|---|--|
| Diamètre du woofer   pouces [mm]                        | 4 [100]                                  |
| Diamètre du tweeter   pouces [mm]                       | 3/4 [20]                                 |
| Réponse en fréquence   Hz                               | 100 à 20,000                             |
| Puissance maximale recommandée de l'ampli [Crête / RMS] | 100 / 50                                 |
| Sensibilité [SPLo]   dB à 1 W, 1 m                      | 85,756                                   |
| Impédance nominale [Zn]   ohm                           | 2 $\Omega$ (40PS42), 4 $\Omega$ (40PS44) |
| Poids   onces [g]                                       | 11,9 [338 g]                             |
| Diamètre de l'orifice de montage   pouces [mm]          | 3 5/8 [93]                               |
| Profondeur de montage   pouces [mm]                     | 1 11/16 [43]                             |
| Hauteur du haut du support   pouces [mm]                | 3/4 [19]                                 |

**Contenu du coffret :**

- |   |  |
|---|--|
| <b>(2)</b> haut-parleurs PS4                            | <b>(2)</b> faisceaux de câbles 12 pouces           |
| <b>(8)</b> vis à bois à tête fraisée M5 x 25 mm         | <b>(8)</b> écrous rapides                          |
| <b>(4)</b> connecteurs bout à bout rouges à sertir 22ga | <b>(2)</b> Plaque d'adaptation 4 pouces à 5 pouces |
| <b>(2)</b> Grilles                                      | <b>(2)</b> badges Kicker                           |

**INSTALLATION**

Veillez vous référer au manuel d'entretien de votre moto pour les instructions de démontage et d'installation. En règle générale, vous devez conserver toutes les vis, le matériel et les grilles d'origine lorsque vous installez un système KICKER sur votre moto. La KICKER PS4 est compatible avec les emplacements de montage d'origine et les systèmes audio 4 pouce ou 5 pouces (avec adaptateur). Si vous faites une installation personnalisée, veillez à ne pas percer le câblage ou les éléments mécaniques du véhicule. Vous êtes seul responsable pour le montage en toute sécurité des haut-parleurs. Utilisez les grilles incluses après avoir effectué une installation personnalisée.

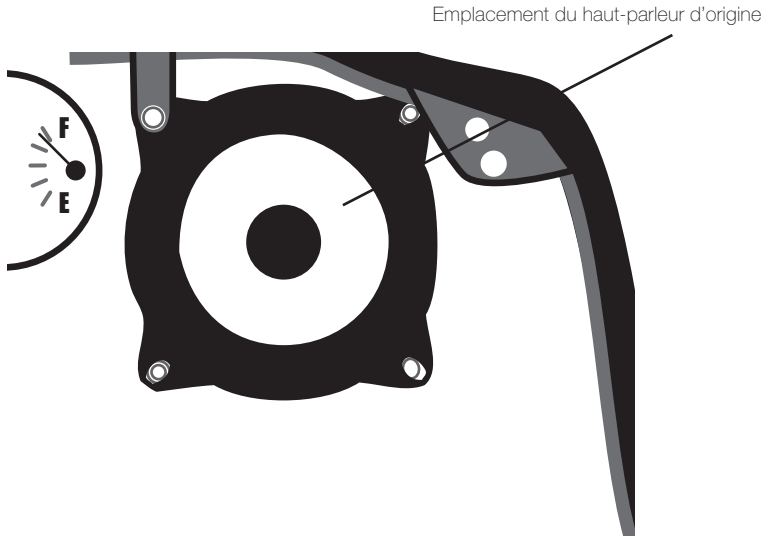


**1. Démontez le tableau de bord de votre moto en suivant les instructions du manuel d'entretien.**

**2. Retirez les haut-parleurs d'origine.**

Retirez les vis de fixation des haut-parleurs d'origine.

Retirez les connecteurs du haut-parleur en même temps que le haut-parleur d'origine.

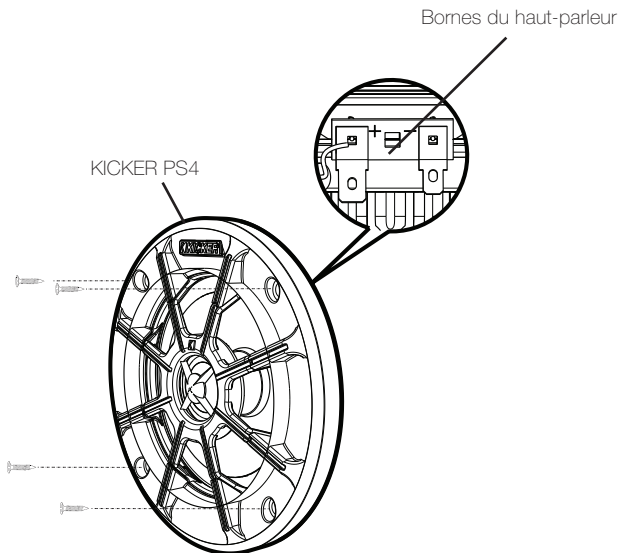


**3. Installation des PS4 aux emplacements d'origine.**

Branchez les connecteurs du haut-parleur d'origine aux bornes du PS4.

Montez le PS4 à l'endroit désiré et fixez-le à l'aide des vis de 25 mm et des écrous. Utilisez la plaque d'adaptation si vous installez le PS4 à la place d'un haut-parleur de 5 pouces.

Remontez le tableau de bord de votre moto dans l'ordre inverse du démontage.



## Acoustics Limited Warranty

When purchased from an Authorized KICKER Dealer, KICKER warrants this product to be free from defects in material and workmanship under normal use for a period of ONE (1) YEAR from date of original purchase. If this product is identified as "Refurbished" or "B Goods", the warranty is limited to a period of THREE (3) MONTHS from date of original purchase. In all cases you must have the original receipt. Should service be necessary under this warranty for any reason due to manufacturing defect or malfunction during the warranty period, KICKER will repair or replace (at its discretion) the defective merchandise with equivalent merchandise. Warranty replacements may have cosmetic scratches and blemishes. Discontinued products may be replaced with more current equivalent products. This warranty is valid only for the original purchaser and is not extended to owners of the product subsequent to the original purchaser. Any applicable implied warranties are limited in duration to a period of the express warranty as provided herein beginning with the date of the original purchase at retail, and no warranties, whether express or implied, shall apply to this product thereafter. Some states do not allow limitations on implied warranties; therefore, these exclusions may not apply to you. This warranty gives you specific legal rights; however you may have other rights that vary from state to state.

### WHAT TO DO IF YOU NEED WARRANTY OR SERVICE

Defective merchandise should be returned to your local Authorized Stillwater Designs (Kicker) Dealer for warranty service. Assistance in locating an Authorized Dealer can be found at [www.kicker.com](http://www.kicker.com) or by contacting Stillwater Designs directly. You can confirm that a dealer is authorized by asking to see a current authorized dealer window decal.

If it becomes necessary for you to return defective merchandise directly to Stillwater Designs (Kicker), call the Kicker Customer Service Department at (405) 624-8510 for a Return Merchandise Authorization (RMA) number. Package all defective items in the original container or in a package that will prevent shipping damage, and return to:

**Stillwater Designs, 3100 North Husband, Stillwater, OK 74075**

The RMA number must be clearly marked on the outside of the package. Please return only defective components. The return of functioning items increases your return freight charges. Non-defective items will be returned freight-collect to you.

Include a copy of the original receipt with the purchase date clearly visible, and a "proof-of-purchase" statement listing the Customer's name, Dealer's name and invoice number, and product purchased. Warranty expiration on items without proof-of-purchase will be determined from the type of sale and manufacturing date code. Freight must be prepaid; items sent freight-collect, or COD, will be refused.

### WHAT IS NOT COVERED?

This warranty is valid only if the product is purchased from an Authorized KICKER Dealer and used for the purpose for which it was designed. It does not cover:

- o Damage due to improper installation and/or subsequent damage to other components.
- o Damage caused by exposure to moisture, excessive heat, chemical cleaners, and/or UV radiation.
- o Damage through negligence, misuse, accident or abuse.
- o Repeated returns for the same damage may be considered abuse.
- o Any cost or expense related to the removal or reinstallation of product.
- o Speakers damaged due to amplifier clipping or distortion.
- o Items previously repaired or modified by any unauthorized repair facility.
- o Return shipping on non-defective items.
- o Products with tampered or missing barcode labels.
- o Products returned without a Return Merchandise Authorization (RMA) number.
- o Freight Damage.
- o The cost of shipping product to KICKER.
- o Service performed by anyone other than KICKER.

### HOW LONG WILL IT TAKE?

Kicker strives to maintain a goal of one-week service for all acoustics (subwoofers, midrange and coaxial drivers, tweeters, crossovers, etc) returns. Delays may be incurred if lack of replacement inventory or parts is encountered.

Failure to follow these steps may void your warranty. Any questions can be directed to the Kicker Customer Service Department at (405) 624-8510.

NOTE: All specifications and performance figures are subject to change. Please visit the [www.kicker.com](http://www.kicker.com) for the most current information.

 **stillwaterdesigns**

10

10PS4-C-20130617



## **INTERNATIONAL WARRANTY**

Contact your International KICKER dealer or distributor concerning specific procedures for your country's warranty policies.

WARNING: KICKER products are capable of producing sound levels that can permanently damage your hearing! Turning up a system to a level that has audible distortion is more damaging to your ears than listening to an undistorted system at the same volume level. The threshold of pain is always an indicator that the sound level is too loud and may permanently damage your hearing. Please use common sense when controlling volume.

Our goods come with guarantees that cannot be excluded under the **Australian Consumer Law**. You are entitled to a replacement or refund for a major failure and for compensation for any other reasonably foreseeable loss or damage. You are also entitled to have the goods repaired or replaced if the goods fail to be of acceptable quality and the failure does not amount to a major failure.

### **GARANTÍA INTERNACIONAL**

### **Versión Español**

Comuníquese con su concesionario o distribuidor KICKER internacional para obtener información sobre procedimientos específicos relacionados con las normas de garantía de su país.

ADVERTENCIA: Los excitadores KICKER son capaces de producir niveles de sonido que pueden dañar permanentemente el oído. Subir el volumen del sistema hasta un nivel que produzca distorsión es más dañino para el oído que escuchar un sistema sin distorsión al mismo volumen. El dolor es siempre una indicación de que el sonido es muy fuerte y que puede dañar permanentemente el oído. Sea precavido cuando controle el volumen.

La frase "combustible para vivir la vida Livin' Loud™ a todo volumen" se refiere al entusiasmo por la vida que la marca KICKER de estéreos de automóvil representa y a la recomendación a nuestros clientes de que vivan lo mejor posible ("a todo volumen") en todo sentido. La línea de altavoces y amplificadores KICKER es la mejor del mercado de audio de automóviles y por lo tanto representa el "combustible" para vivir a todo volumen en el área de "estéreos de automóvil" de la vida de nuestros clientes. Recomendamos a todos nuestros clientes que obedezcan todas las reglas y reglamentos locales sobre ruido en cuanto a los niveles legales y apropiados de audición fuera del vehículo.

### **INTERNATIONALE GARANTIE**

### **Deutsche Version**

Nehmen Sie mit Ihren internationalen KICKER-Fachhändler oder Vertrieb Kontakt auf, um Details über die Garantieleistungen in Ihrem Land zu erfahren.

WARNING: KICKER-Treiber können einen Schallpegel erzeugen, der zu permanenten Gehörschäden führen kann! Wenn Sie ein System auf einen Pegel stellen, der hörbare Verzerrungen erzeugt, schadet das Ihren Ohren mehr, als ein nicht verzerrtes System auf dem gleichen Lautstärkepegel. Die Schmerzschwelle ist immer eine Anzeige dafür, dass der Schallpegel zu laut ist und zu permanenten Gehörschäden führen kann. Seien Sie bei der Lautstärkeinstellung bitte vernünftig!

Der Slogan "Treibstoff für Livin' Loud" bezieht sich auf die mit den KICKER-Autostereosystemen assoziierte Lebensfreude und die Tatsache, dass wir unsere Kunden ermutigen, in allen Aspekten ihres Lebens nach dem Besten ("Livin' Loud") zu streben. Die Lautsprecher und Verstärker von KICKER sind auf dem Markt für Auto-Soundsysteme führend und stellen somit den "Treibstoff" für das Autostereoelebnis unserer Kunden dar. Wir empfehlen allen unseren Kunden, sich bezüglich der zugelassenen und passenden Lautstärkepegel außerhalb des Autos an die örtlichen Lärmvorschriften zu halten.

### **GARANTIE INTERNATIONALE**

### **Versión Française**

Pour connaître les procédures propres à la politique de garantie de votre pays, contactez votre revendeur ou distributeur International KICKER.

AVERTISSEMENT: Les haut-parleurs KICKER ont la capacité de produire des niveaux sonores pouvant endommager l'ouïe de façon irréversible ! L'augmentation du volume d'un système jusqu'à un niveau présentant une distorsion audible endommage davantage l'ouïe que l'écoute d'un système sans distorsion au même volume. Le seuil de la douleur est toujours le signe que le niveau sonore est trop élevé et risque d'endommager l'ouïe de façon irréversible. Réglez le volume en faisant preuve de bon sens!

L'expression " carburant pour vivre plein pot " fait référence au dynamisme de la marque KICKER d'équipements audio pour véhicules et a pour but d'encourager nos clients à faire le maximum (" vivre plein pot ") dans tous les aspects de leur vie. Les haut-parleurs et amplificateurs KICKER sont les meilleurs dans le domaine des équipements audio et représentent donc pour nos client le " carburant pour vivre plein pot " dans l'aspect " installation audio de véhicule " de leur vie. Nous encourageons tous nos clients à respecter toutes les lois et réglementations locales relatives aux niveaux sonores acceptables à l'extérieur des véhicules.





©2013 Stillwater Designs