

OceanBridge



MULTIZONE LIGHTING CONTROLLER



PRODUCT CODE: 013201



Expandable System



Touch interface



10 Dynamic Scenes



Universal Compatibility



Colour Control



10 Lighting Zones



Dynamic Audio Mode



Wave Motion Mode

The OceanBridge is a patented multizone lighting controller, designed specifically for controlling all of your boat's lights from an MFD, smartphone, or tablet easily. This innovative system allows you complete control of the entire OceanLED range of lights and accessories, as well as most third-party (DMX or on/off) DC-powered lights. The OceanBridge gives you complete control, of colour change, music sync, colour fade, colour transitions, brightness, zone creation, and our patented movement-to-colour functionality.

IDEAL FOR ALL TYPES OF BOATS

At OceanLED we understand the need to control all your boat lights from a single interface. Whether you have a small rib, large sport fishing boat, sailing yacht or motor cruiser, the OceanBridge ensures easy and seamless control. The small unit is quick to install and doesn't require much space. Control is easy via your MFD, or if your boat isn't equipped with an MFD, simply control your lights via your smartphone or tablet, thanks to the integrated Wi-Fi module.

CUSTOM SCENE & ZONE CONTROL

With the OceanBridge, you have the ability to create an incredible 10 lighting zones as standard and up to 10 lighting scenes. No matter how large your vessel is, the agility of fully customisable control means the possibilities are almost endless. OceanBridge scenes allow you to save pre-set lighting colours and modes, which can be easily assigned to any zone. Users can set our unique sweep scene mode to any zone using lights of the same type, creating the 'Knight Rider' effect. The additional flexibility of adding up to four instant-on switches means control can be tailored to specific areas of your boat.

CONTROL LIGHTS & ACCESSORIES EASILY

The advanced OceanBridge system allows you to create and control a lighting system with up to 64 (DMX or on/off) lights at one time, even non-OceanLED lights can be added to the system. With the use of splitters, the system can be expanded to over 150 lights. Plug-and-play control compatibility is ensured, thanks to the systems NMEA 2000 compatibility and supporting MFD network connectivity. You now have complete flexibility in one system.

INTELLIGENT LIGHTING COMMANDS

The OceanBridge makes syncing your underwater and onboard lights to music effortless. With the built-in AUX socket or via Bluetooth audio connection, you can set light colours and modes to automatically match music, using the base, midtones, and treble. Alternatively the unique addition of the built-in gyroscope allows our system to go even further. Our patent-pending design allows you to set your lights to change with the movement of your boat. Our timer function goes a step further, allowing you to trigger specific scenes at set times of the day or night.

UNIVERSAL COMPATIBILITY AND CONTROL

The OceanBridge is compatible with all major MFD units, including Garmin, Simrad, Lowrance, B&G, Raymarine, and Furuno. We've built the OceanBridge with complete accessibility in mind, no matter your boat, your MFD or your lights, the OceanBridge is your complete control solution.

UNRIVALLED QUALITY

At OceanLED we understand quality and reliability are paramount for our customers. With this in mind, the OceanBridge has been designed with an IP66 rated housing and waterproof connections. The robust polycarbonate housing provides ultimate protection and ensures long-lasting performance.

MODE & FUNCTION OPTIONS:

- ✓ Colour Change
- ✓ Colour Fade
- ✓ Colour Transition
- ✓ Brightness
- ✓ Music Sync
- ✓ Zone Creation
- ✓ Movement to Colour Sync
- ✓ Scene Setup
- ✓ Light Effects



DIRECTIONS FOR USE:

Once the OceanBridge unit and associated lights are installed, the system requires an initial setup.

QUICK START LAUNCH

For simple 'out the box' operation, the unit is pre-loaded with two standard profiles. A single zone, with either RGBW colours lights or dual colour lights. These simple setups will allow control of your lights.

1. To access the quick start setup, open the main menu and select '**System**' and then '**Backup**'. You will then be able to select one of the quick start options. Later the system can be tailored further using the more advanced setup outlined below.

STANDARD LAUNCH

For more advanced systems where multi-zones / different light types / or sweep functionality is required, the system will need to be setup using the following procedure:

1. Create zones by selecting '**Zone Setup**' in the main menu, then select '**New**' and name your zones based on their location. You must select the correct light type for each zone.
2. Go back to the main menu. Select '**Device Setup**', then '**Discover**' or '**Manual Add**' to add your lights. '**Discover**' will automatically discover **OceanLED E6, E7** and **Sport DMX lights**. For all other lights '**Manual Add**' should be used.
3. Each light should then be added to the relevant zone. E.g. Transom

USING THE SYSTEM

- After lights have been added they will appear on your OceanBridge home screen.
- Light colour, mode, speed etc, can all be controlled by selecting the individual lights.
- Configured zones are displayed, each as a separate 'Zone Card'. Each zone can be turned on and off independently, by pressing the on/off slider on the relevant Zone Card. By pressing on the zone card itself, the zone effects can be selected.
- The sweep function is activated via the icon located at the top left of the home screen.

ZONE EFFECTS



Static: For RGBW/RGB and Dual colour lights, the required colour can be selected via the colour wheel or colour gradient selector. For dimmable single colour lights brightness can be adjusted.



Cycle: Select up to four colours. Lights will transition between each colour. Brightness and cycle fade speed can be adjusted.



Strobe: Up to four colours can be selected, including off. Lights will switch between these colours. Brightness and cycle fade speed can be adjusted.



Sweep: Up to four colours. Lights will transition between each colour as they move across the light row.



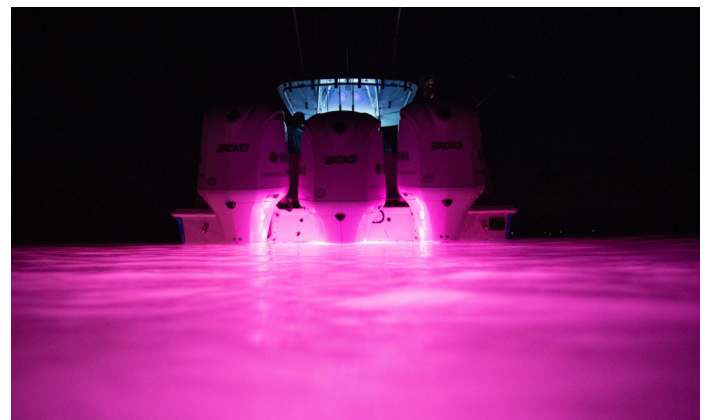
Audio Sync: Sync lights to music. Audio input via line-in or Bluetooth.

Select four colours. Colour One = Ambient colour (displayed in quiet periods). Colour Two = Bass tones. Colour Three = Mid Tones. Colour Four = Treble Tones. Overall brightness and sensitivity can be adjusted.



Movement: Lights change with the movement of the vessel/unit.

Select five colours. Colour One = Ambient colour (colour displayed when static). Colour Two = the -Ve X-axis of the unit. Colour Three = the +Ve X-axis of the unit. Colour Four = the -Ve Y-axis. Colour Five = the +Ve Y-axis.



IMPORTANT FEATURES

- Wi-Fi:** Built-in Wi-Fi allows the unit to be directly connected to a smartphone or laptop to control lights. The default WiFi SSID is "OceanBridge" and the password is "password". Once connected, use a web browser to access <http://192.168.0.1>. The SSID and password should be changed in the Wi-Fi settings menu. The system can be connected to any existing on-board Wi-Fi network.
- Scene Setup:** On the **Home Screen**, click the **'Save Scene'** to save the current setup for each light. The scene can then be named and saved. A 'Scene Card' will then be created. Selecting this will recall the saved light settings.
- Trigger Inputs:** Up to four external switches can be connected to trigger saved scenes or turn lights on/off. The actions are configured by opening the main menu and selecting **'External Trigger'**.
- Timers:** Scenes or lights off can be triggered via timers. In the main menu, select **'Timer'** to setup timers.
- Security Pin:** Lock individual feature with a four-digit password. Access the main menu, then select **'Security'**. Select the feature you would like to lock using the tick box list. Set your code, then click **'Apply'**.

TECHNICAL INFORMATION:

Water Protection Rating	IP66	Bluetooth	Built-In
Power Consumption	6W (500mA @12V DC)	Material	Robust Polycarbonate
Operating Voltage	12/24V DC (Max 32V DC)	On-board Sensors	Gyroscope Sensor Thermal Sensor
Power Input	NMEA 2000 Connector Port	Operating Temperature	-10°C to 50°C ambient
Input Cable Glands	IP68	Dimensions	210mm x 91mm x 65mm
Output Cable Glands	IP68	Weight	500g
Wi-Fi	Built-In	Network Connections	NMEA 2000 connection Ethernet connection
External Switch Inputs	Supports Four External Switch Inputs	Audio	1 x Audio-In 3.5mm 1 x Audio-Out 3.5mm

CONTROLL METHODS:

- HTML5 app integrated with the MFD unit
- NMEA 2k lighting PGNs
- Web Browser Interface (Phone, Tablet or PC)

AUDIO INTEGRATION:

- External Audio Input (Vessel Stereo or Ipod/MP3)
- Bluetooth (Phone or Tablet)

BOX CONTENTS:

- OceanBridge Unit (Part: 013201)
- Audio Lead

ACCESSORIES:

OPTIONAL CABLES	
Item	Part
OceanBridge - Switch Input Cable	013203
OceanBridge Power Cable	013202

OPTIONAL JUNCTION BOXES	
Item	Part
OceanConnect	013204
2-Way DMX Junction Box	013205

IMPORTANT NOTES:

Maintenance - This product should be fitted in a dry area. If it does come into contact with water for any period of time, it is advised you dry the unit and the area around it.

Installation - All information provided in the installation manual represent normal installation instruction and is provided as guidance only. Please contact OceanLED for advice if you wish to install outside these parameters.

Disclaimer - OceanLED has taken care to ensure that the information provided in the literature is correct and up to date. However, it is not intended to form any part of a contract or provide a guarantee. Purchasers/ intending purchasers should contact OceanLED to check whether there have been any changes to the information since the publication of the literature. **Please ensure you have read the full installation guide before fitting this product.**

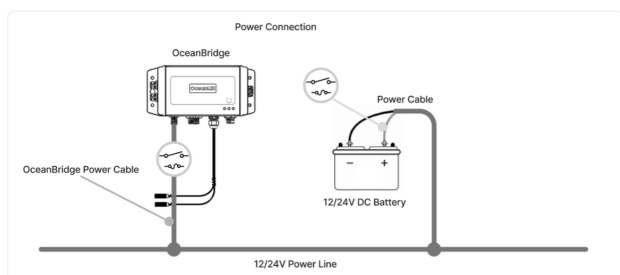
INSTALLATION (QUICK START GUIDE):

1. Find a suitable mounting location, consider your wiring route, surfaces and position for optimal axis movement for utilizing the movement-to-colour function. (See install manual for full details)
2. Check to ensure there are no obstructions, such as cables or pipes behind your mounting area.
3. Mount the OceanBridge unit using the screws provided. Ensure all four mounting holes are secured. Tighten screws by hand only.

4. ELECTRICAL INSTALLATION:

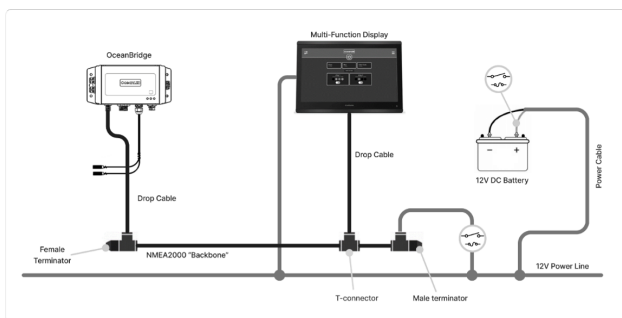
Power (Direct Connection)

Use the OceanBridge Power Cable (not provided). Connect the end with the plug to the OceanBridge NMEA2000/Power Port and link the other end to the onboard battery.



NMEA2000 (Bus Powered)

Connect an NMEA2000 drop cable (not provided) to the OceanBridge NMEA2000/Power port and the other end of the cable to the backbone of the NMEA2000 installation.



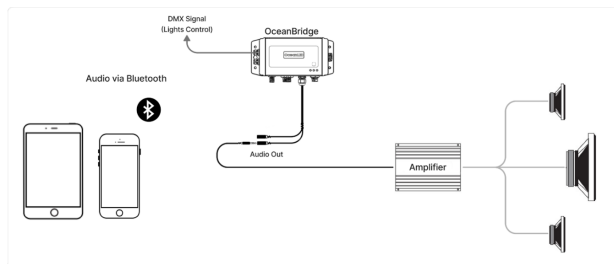
5. MFD Connection

If NMEA2000 functionality has not been used, connect to the MFD using the Ethernet cable (not provided), either directly or through an onboard LAN network.

FOR FULL INSTALLATION INSTRUCTIONS, SEE THE INSTALLATION MANUAL.

6. Audio

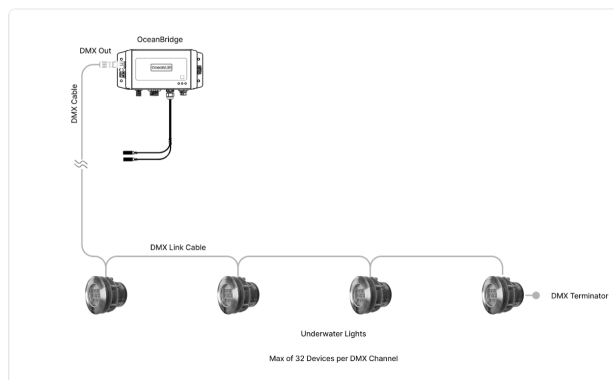
Use 3.5mm audio In input to connect your chosen device as the source of the audio. For best results use the 'line-out' connection from your audio source, rather than a headphone outlet.



7. CONNECTING YOUR LIGHTS:

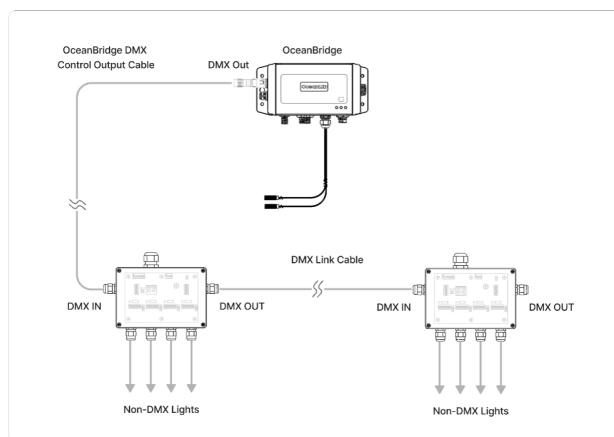
DMX (Direct Connection with the light units)

For DMX compatible lights use the DMX link cable. Connect the male plug of the DMX cable with the OceanBridge DMX OUT port and connect the other end to the first light in the DMX chain.



DMX (Using OceanConnect Junction Box)

Connect the male plug of the DMX cable with the OceanBridge DMX OUT port and connect the bare end to the first OceanConnect Junction Box. If only one OceanConnect JB has been used, ensure to switch ON the onboard terminator. For more than one OceanConnect junction box installations, use DMX cables to link the Junction Boxes.



SUSTAINABILITY

OceanLED is committed to a sustainable future. Through constant product and design innovation, establishing better working practices, and evaluating our supply chains, we are able to take measurable steps to creating true sustainability in our business.