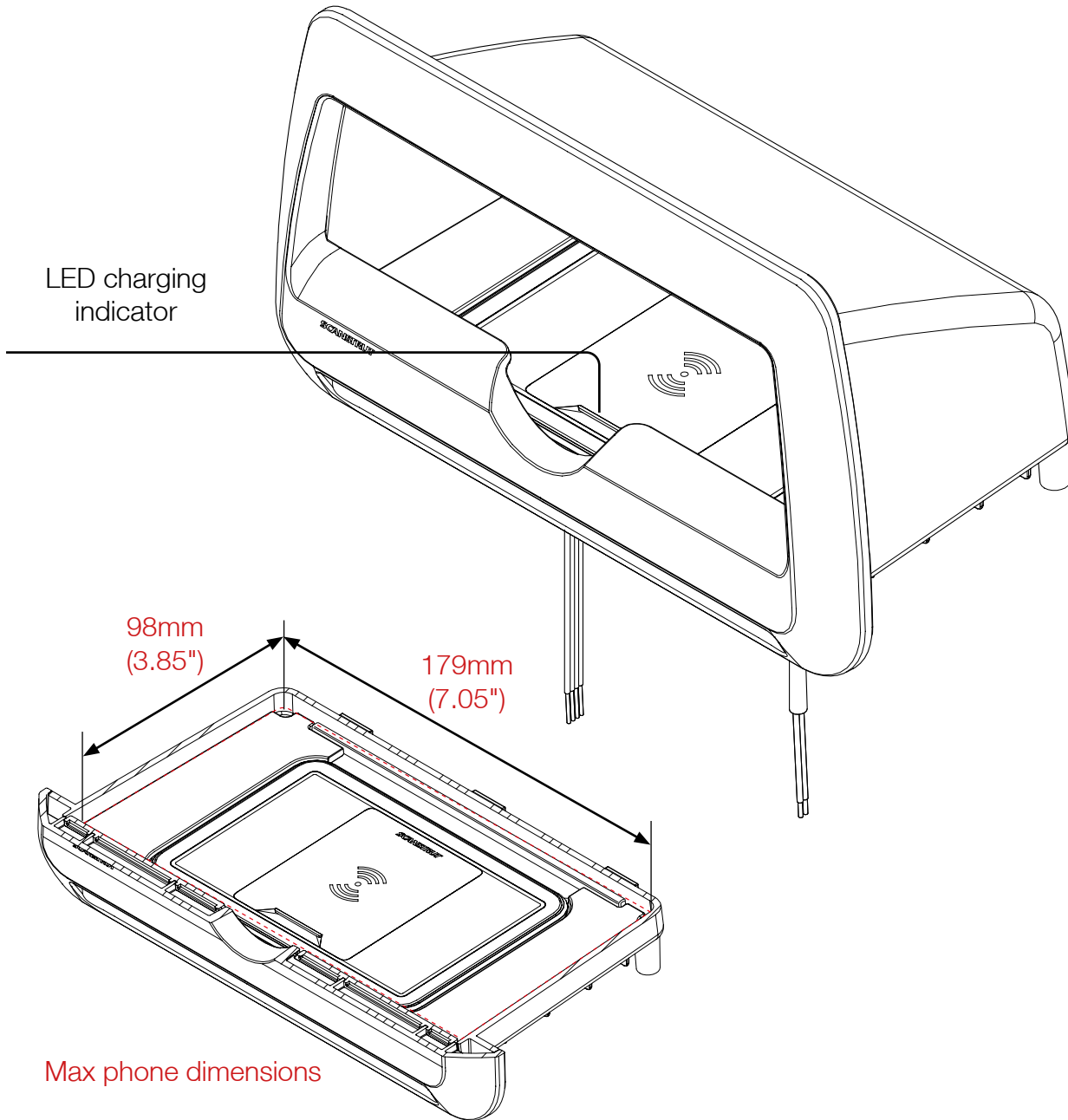


# Waterproof Wireless Charger Cove LED 3 Coil 15W SC-CW-10GT

Email: sales@scanstrut.com  
Email: usasales@scanstrut.com



## Technical

### Wireless Charger

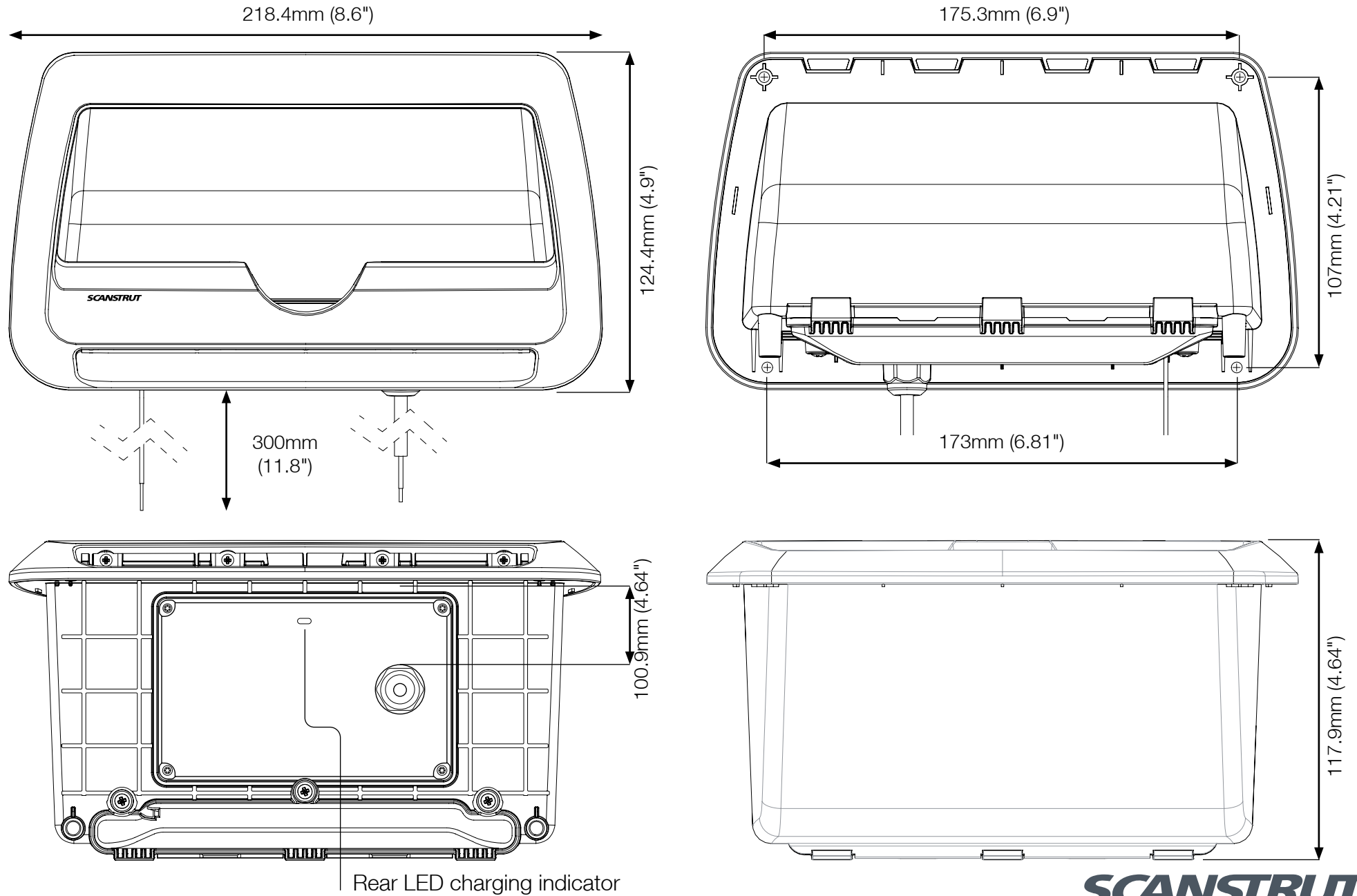
|                         |   |
|-------------------------|---|
| IP Waterproof Rating    | IPX6 Front and back   |
| Cable Diameter          | Ø 4.7 mm (0.185")   |
| Cable bend Radius (4xD) | 18.8 mm (0.74")   |
| Cable AWG               | 20 AWG  |
| Cable Length            | 300mm   |
| Input voltage           | 10-30V DC (12/24V System)                                   |
| Input current max       | 2A  |
| Output power max        | 15W (12V 1.25A)   |
| Standby power max       | <1.2W   |
| Certification           | CE, UKCA, FCC, ROHS, C-Tick, UN ECE R10, E24, PSE Certified |

### RGB LED

|                    |          |
|--------------------|----------|
| Input voltage      | 9-15V DC |
| Input current max  | 0.2A     |
| Standby power draw | <0.0W    |

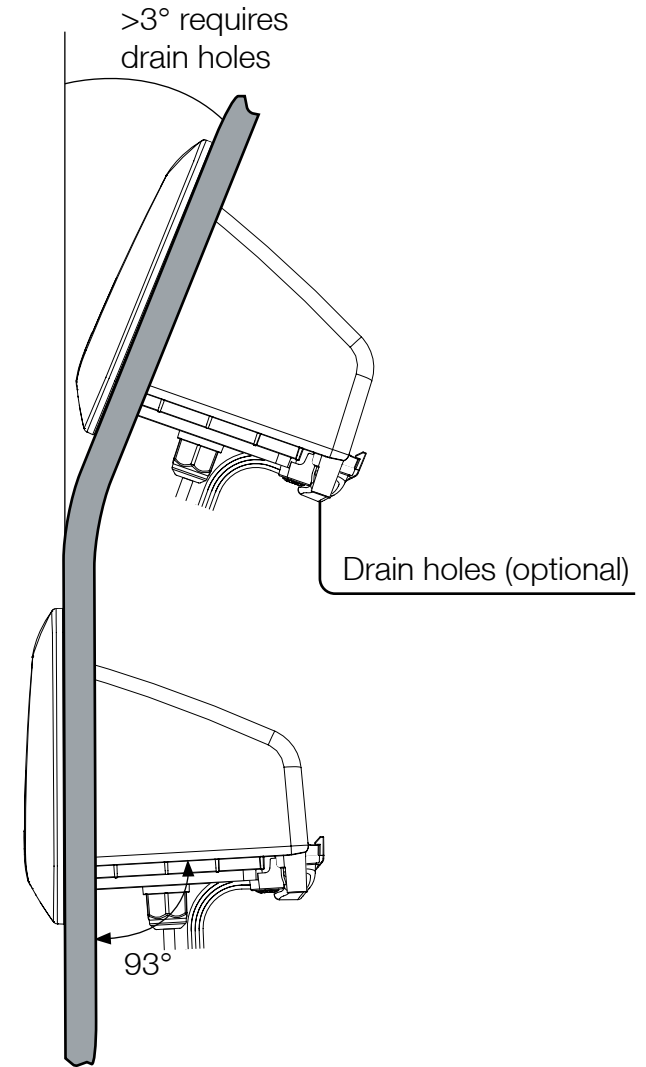
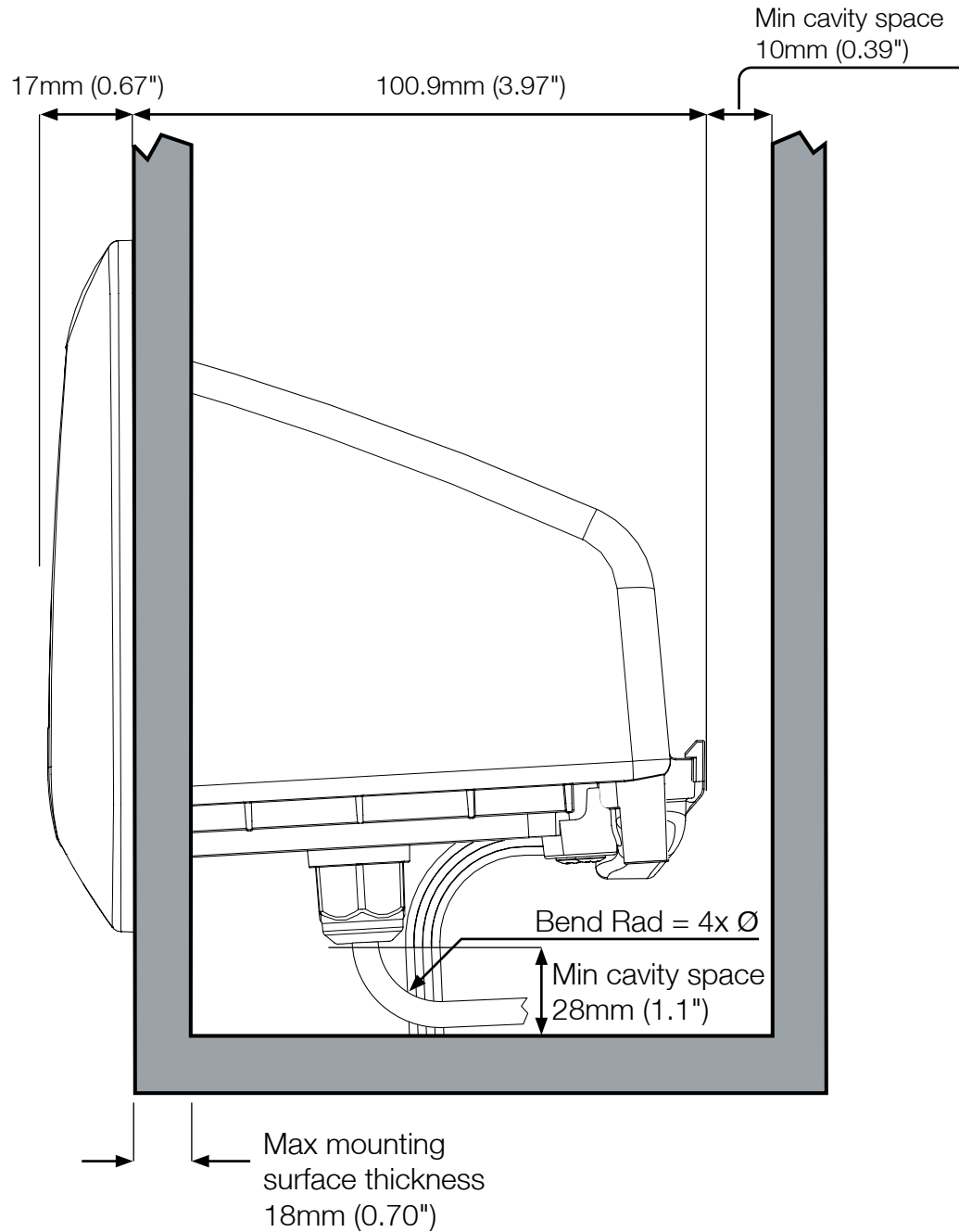
# Waterproof Wireless Charger Cove LED 3 Coil 15W SC-CW-10GT

Email: sales@scanstrut.com  
Email: usasales@scanstrut.com



# Waterproof Wireless Charger Cove LED 3 Coil 15W SC-CW-10GT

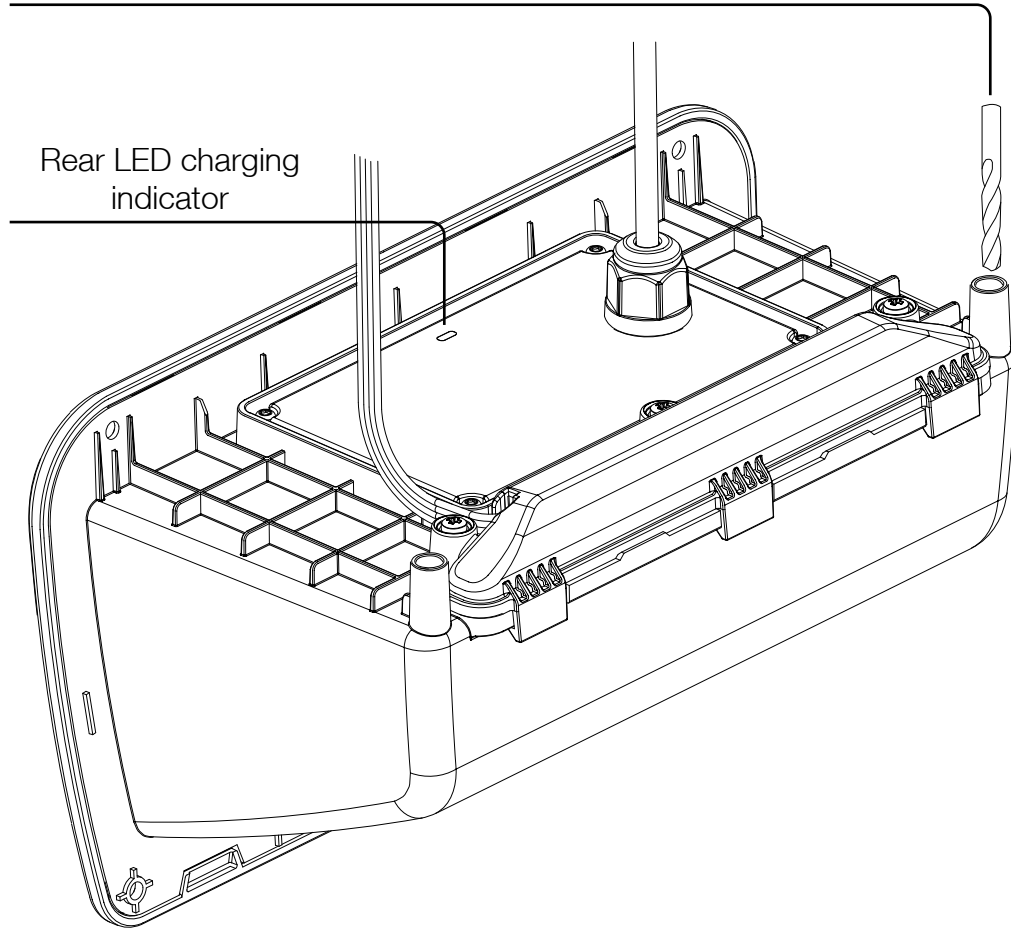
Email: sales@scanstrut.com  
Email: usasales@scanstrut.com



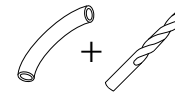
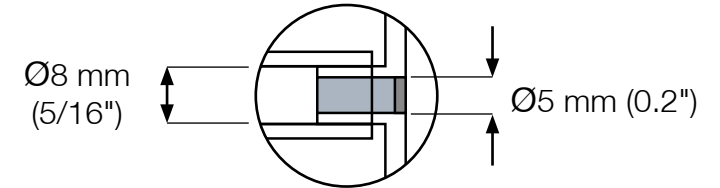
*Recommended: Use self-drill rear drain holes when the product is installed on an angled surface beyond 3° from vertical.*

Drain holes

Rear LED charging indicator



## Optional drainage



Drain holes: Ø5 mm (0.2") required.

Drain pipe: ID Ø8 mm (5/16") required.  
(Tools and parts not included).

## Installation LED indicator

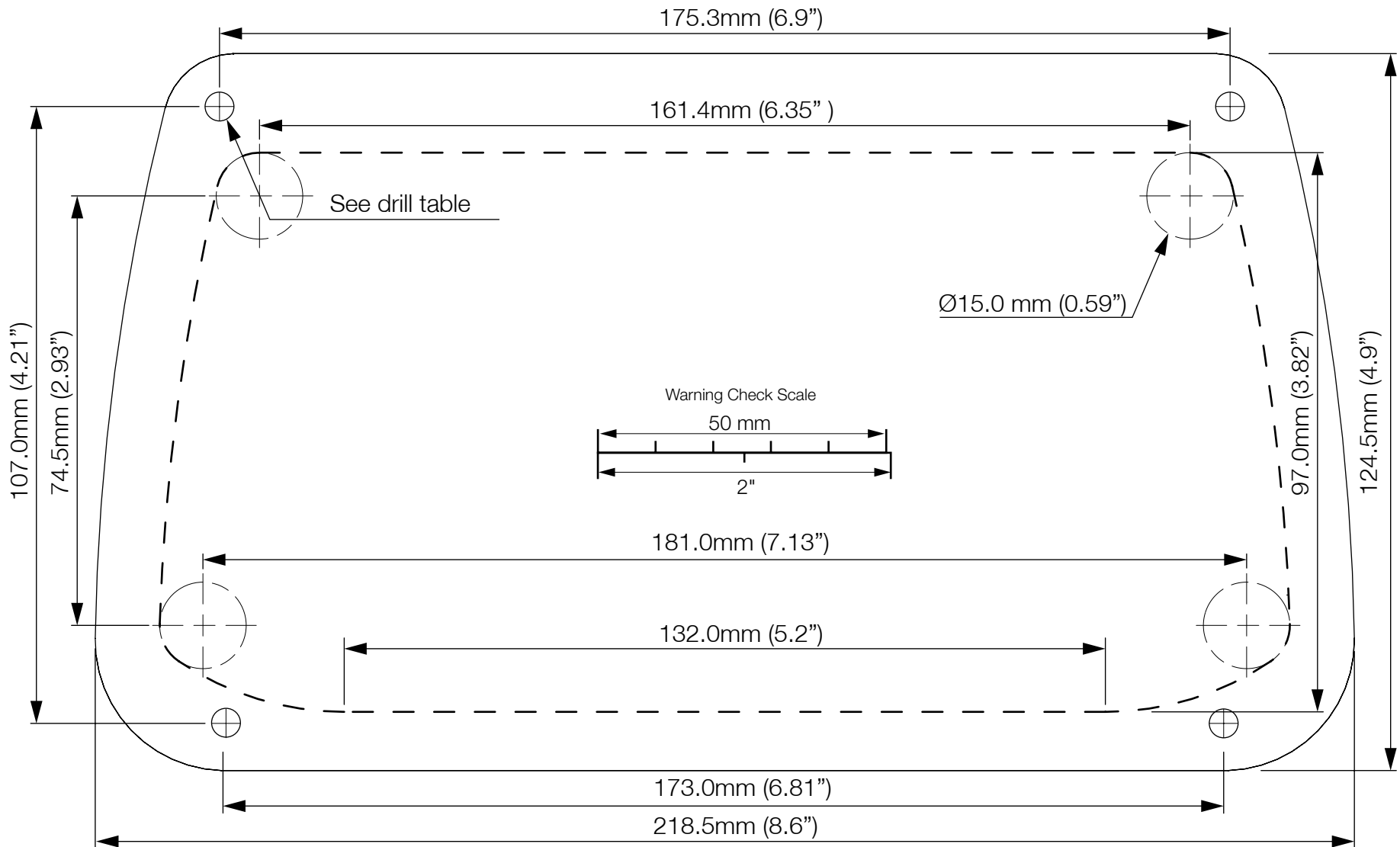
- White LED Constant: ON Charge
- Red LED Constant: Standby (power ON)
- ☀ Red LED Flashing:

Foreign object detection: metallic object placed on top that is not Qi compatible.

OR

Thermal cutout: The internal temperature is too high/ low. Wait for product to return to operating temperature.

## Cutting Template 1:1



Print document 1:1 scale for  
correct cutting template size.  
Paper Size A4