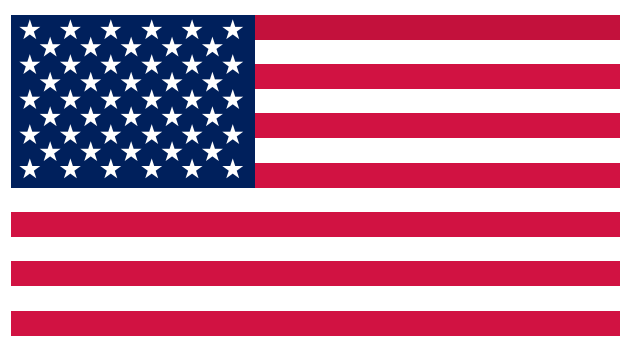


# KICKER®

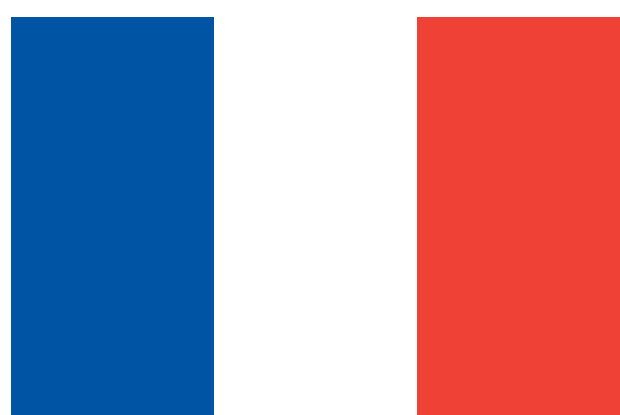
**Owner's Manual**  
**Manual del Propietario**  
**Manuel d'utilisation**  
**Benutzerhandbuch**

KMTCXL Horn-Loaded Tower Enclosures  
KMTCXL Carcasas De Torre Preinstaladas  
KMTCXL Boîtiers Pour Haut-Parleurs Verticaux Équipés  
KMTCXL Bestückte Tower-Gehäuse

*select language*



*seleccione  
el idioma*



*choisir la  
langue*



*sprache  
auswählen*

# Contents

---

Overview .....	3
Specifications .....	4
Installation .....	5
Warranty .....	13

# Overview

---

## **IMPORTANT SAFETY WARNING**

PROLONGED CONTINUOUS OPERATION OF AN AMPLIFIER, SPEAKER, OR SUBWOOFER IN A DISTORTED, CLIPPED OR OVER-POWERED MANNER CAN CAUSE YOUR AUDIO SYSTEM TO OVERHEAT, POSSIBLY CATCHING FIRE AND RESULTING IN SERIOUS DAMAGE TO YOUR COMPONENTS AND/OR VEHICLE. AMPLIFIERS REQUIRE UP TO 4 INCHES (10CM) OPEN VENTILATION. SUBWOOFERS SHOULD BE MOUNTED WITH AT LEAST 1 INCH (2.5CM) CLEARANCE BETWEEN THE FRONT OF THE SPEAKER AND ANY SURFACE. KICKER PRODUCTS ARE CAPABLE OF PRODUCING SOUND LEVELS THAT CAN PERMANENTLY DAMAGE YOUR HEARING! TURNING UP A SYSTEM TO A LEVEL THAT HAS AUDIBLE DISTORTION IS MORE DAMAGING TO YOUR EARS THAN LISTENING TO AN UNDISTORTED SYSTEM AT THE SAME VOLUME LEVEL. THE THRESHOLD OF PAIN IS ALWAYS AN INDICATOR THAT THE SOUND LEVEL IS TOO LOUD AND MAY PERMANENTLY DAMAGE YOUR HEARING. PLEASE USE COMMON SENSE WHEN CONTROLLING VOLUME.

The KICKER KMTCXL Loaded Marine Cans are the perfect way to bring your music out into the marine or power sports environment. The KMTCXL65 and KMTCXL8 come loaded with the KICKER KMXL65 and KMXL8 speakers. The injection-molded ASA enclosures are UV-treated, splash resistant, and weather resilient. Mount the KMTCXL Loaded Marine Cans in your boat or get creative with a pair of them in the garage, on your 4x4 or Side-by-Side's roll bars, or in any other bar-mounted application.

# Specifications

<b>KMTCXL Coaxial Speakers</b>	<b>KMTCXL65</b>	<b>KMTCXL8</b>
Woofer [in, mm]	6-1/2, 165	8, 200
Peak Power Handling [ Watts]	300	500
Recommended Amplifier Power [Watts RMS]	15-150	15-250
Sensitivity [1W, 1m]	92	93
Frequency Response [Hz]	90–20k	60–20k
Enclosure Diameter/Width [in, cm]	7, 17.8	8-3/16, 20.8
Enclosure Depth [in, cm]	9-11/16, 24.6	11-5/16, 28.7
Enclosure Height (from bottom of roll bar) [in, cm]	8-1/4, 21	9-7/16, 24
Enclosure Height (bracket top to enclosure bottom) [in, cm]	10-1/4, 26	11-1/2, 29.2
<b>Specifications Common to All Models</b>		
Compression Drivers [in, mm]	1-1/4, 32	
Rated Impedance [ $\Omega$ ]	4	
Recommended Highpass Crossover for Maximum Power Handling	80Hz 12/octave	
Tweeter Magnet Material	Neodymium	
Tweeter Dome Material	Aluminum	
Tweeter Design	Compression Driver & Horn	
Woofer Cone Material	Polypropylene & Carbon Fiber	
Woofer Surround Material	Treated Cloth	
Grilles	Yes	

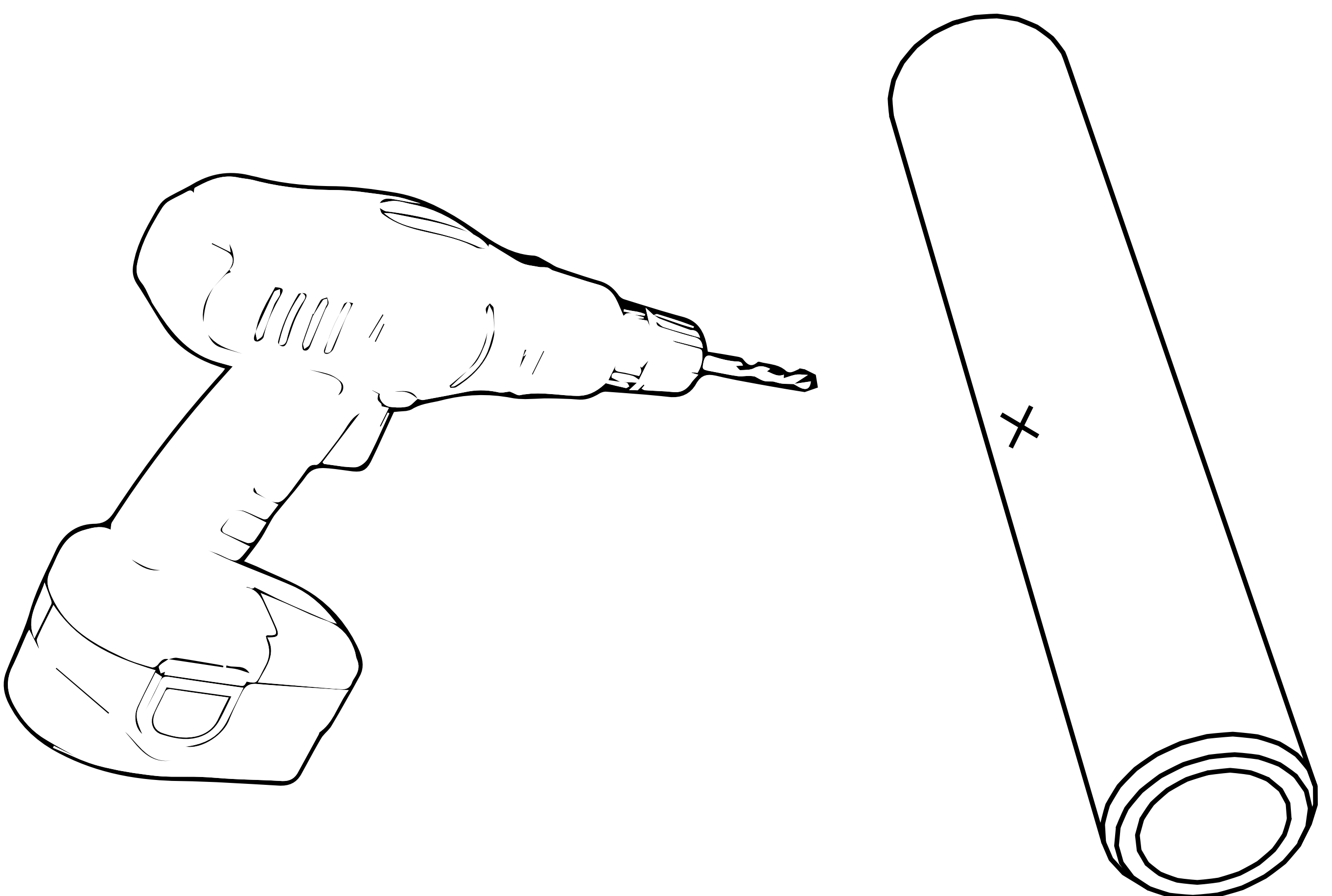
**Note:** All specifications and performance figures are subject to change. Please visit [www.kicker.com](http://www.kicker.com) for the most current information. To get the best performance from your new KICKER speakers, we recommend using genuine KICKER accessories and wiring. Please allow two weeks of break-in time for the speakers to reach optimum performance.

**Pro Tip:** You're a KICKER KXMA amplifier and a few cables away from a full system upgrade that will dominate any factory system! KICKER line of amplifiers make it easy to upgrade to solid bass with your existing or stock source unit. Also, ask your dealer about KICKER Subwoofer upgrades.

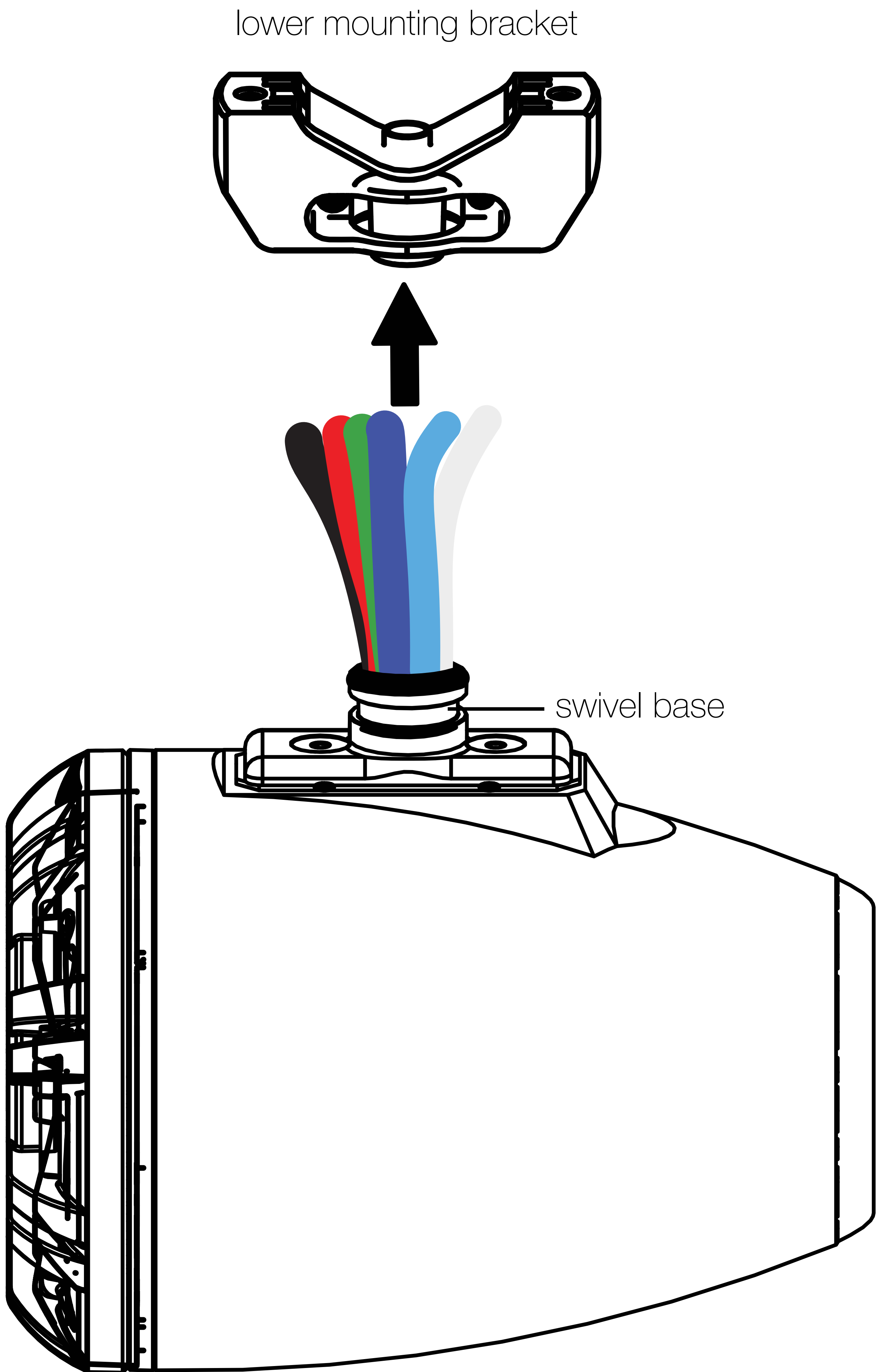
# Installation

---

**Step 1:** Determine the location and placement of the KMTC cans onto the pipe or tube to which you are mounting. Spreading the KMTC Loaded Marine Cans apart will provide better stereo performance, and is usually preferable. When determining the best locations for mounting, be careful to look for obstacles or obstructions that could complicate mounting the KMTC. Please keep in mind the routing of your speaker wires as this can affect where you finally mount your cans. You will need to mark and drill a wire routing hole in the pipe 5/8" (16mm) in diameter. The placement of the hole must line up with the final position of the lower mounting bracket so that the wiring coming from the lower mounting bracket can be run through; ie the hole should be 90° from the direction the speakers will be aimed and in-line with the wiring coming from the lower mounting bracket. If the speakers will be level with the horizon, you should drill a hole directly in the bottom of the tube.

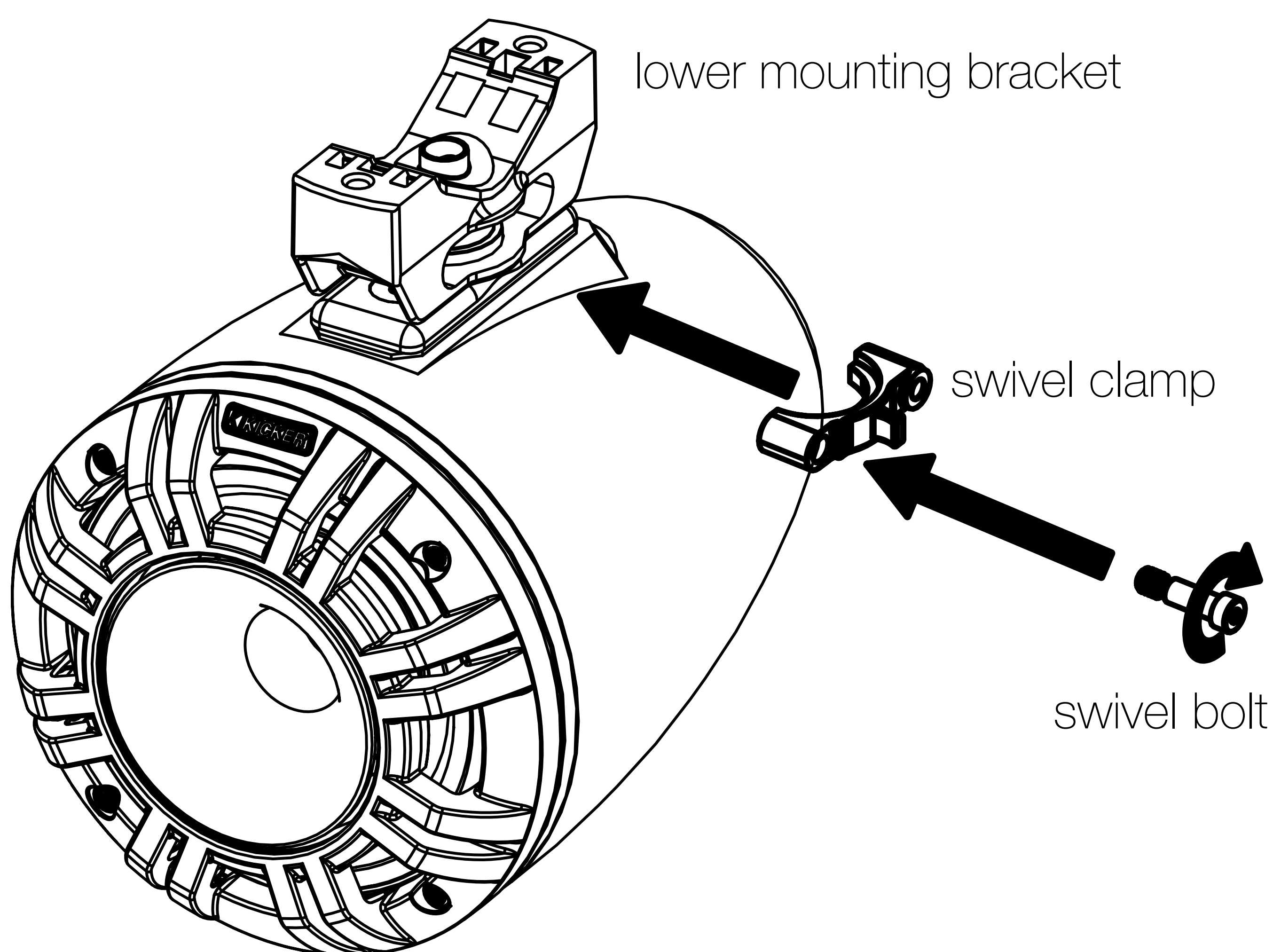


**Step 2:** Thread the speaker and LED wires through the bottom of the lower mounting bracket and out of the plastic liner hole in the center.



*IMPORTANT: You must apply a thin layer of the included anti-seize compound to **ALL** threaded fasteners before installation.*

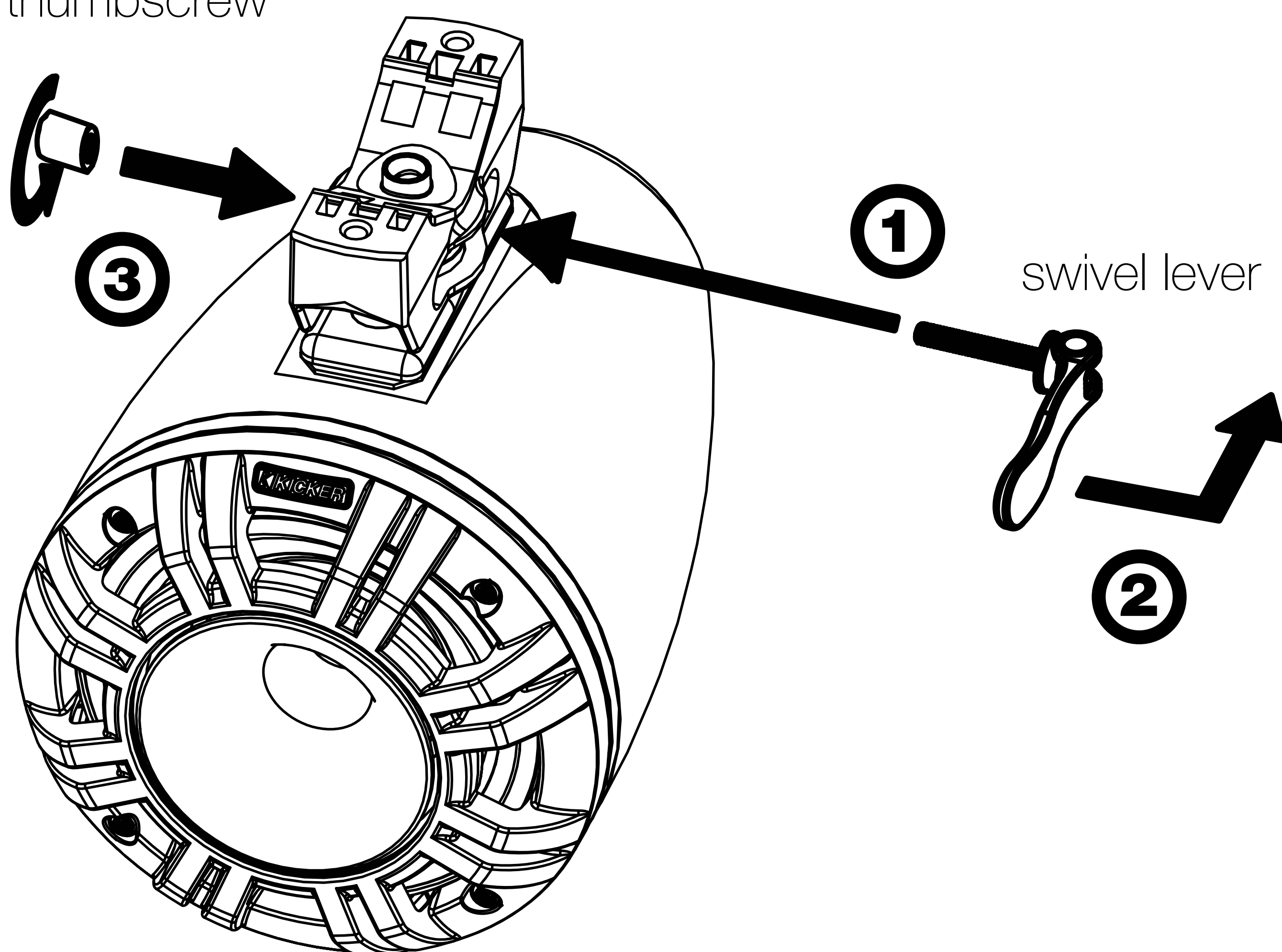
**Step 3:** The mounting hardware design provides versatility in angular positioning to direct the speaker's output to the ideal listening position using the quick adjust swivel lever. With the lower mounting bracket in place, install the swivel clamp and tightly secure it using the included swivel bolt, making sure the clamp engages with the groove in the swivel base.





**Step 4:** Partially install the swivel lever, adjusting it to be loose (open) when the lever is parallel to the tube, then finish tightly securing the swivel lever to the enclosure using the included thumbscrew. When the swivel lever is locked in place, or closed, the bracket rotation assembly will be clamped tight.

swivel lever  
thumbscrew





**Step 5:** Extend the speaker and LED wiring through the hole you have drilled and connect them to your source unit or amplifier. KICKER recommends you solder the connections and secure them with heat shrink.

**Black : +12V**

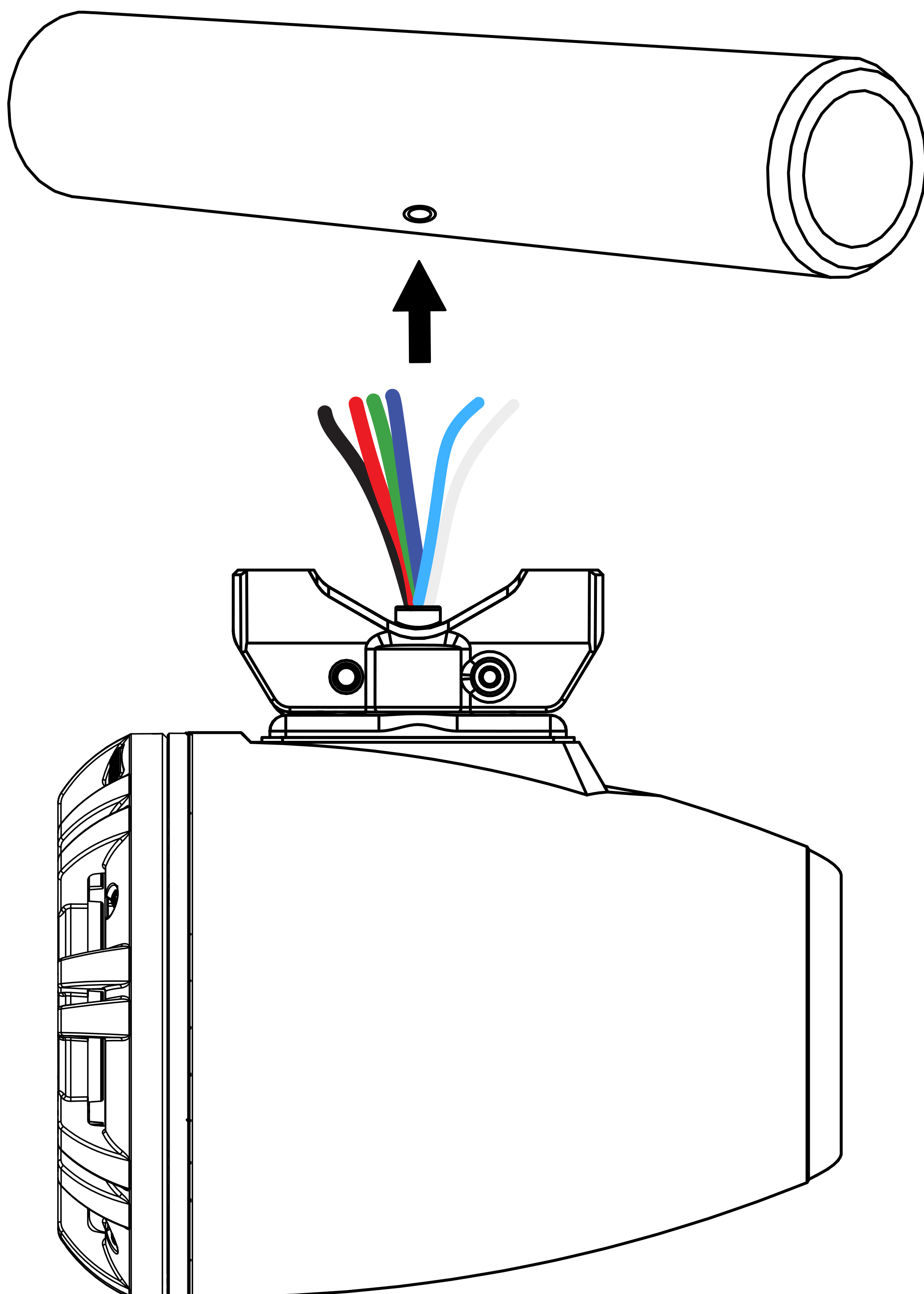
**Red : Ground**

**Green : Ground**

**Blue : Ground**

**Transparent Blue : Speaker +**

**Transparent Gray : Speaker -**



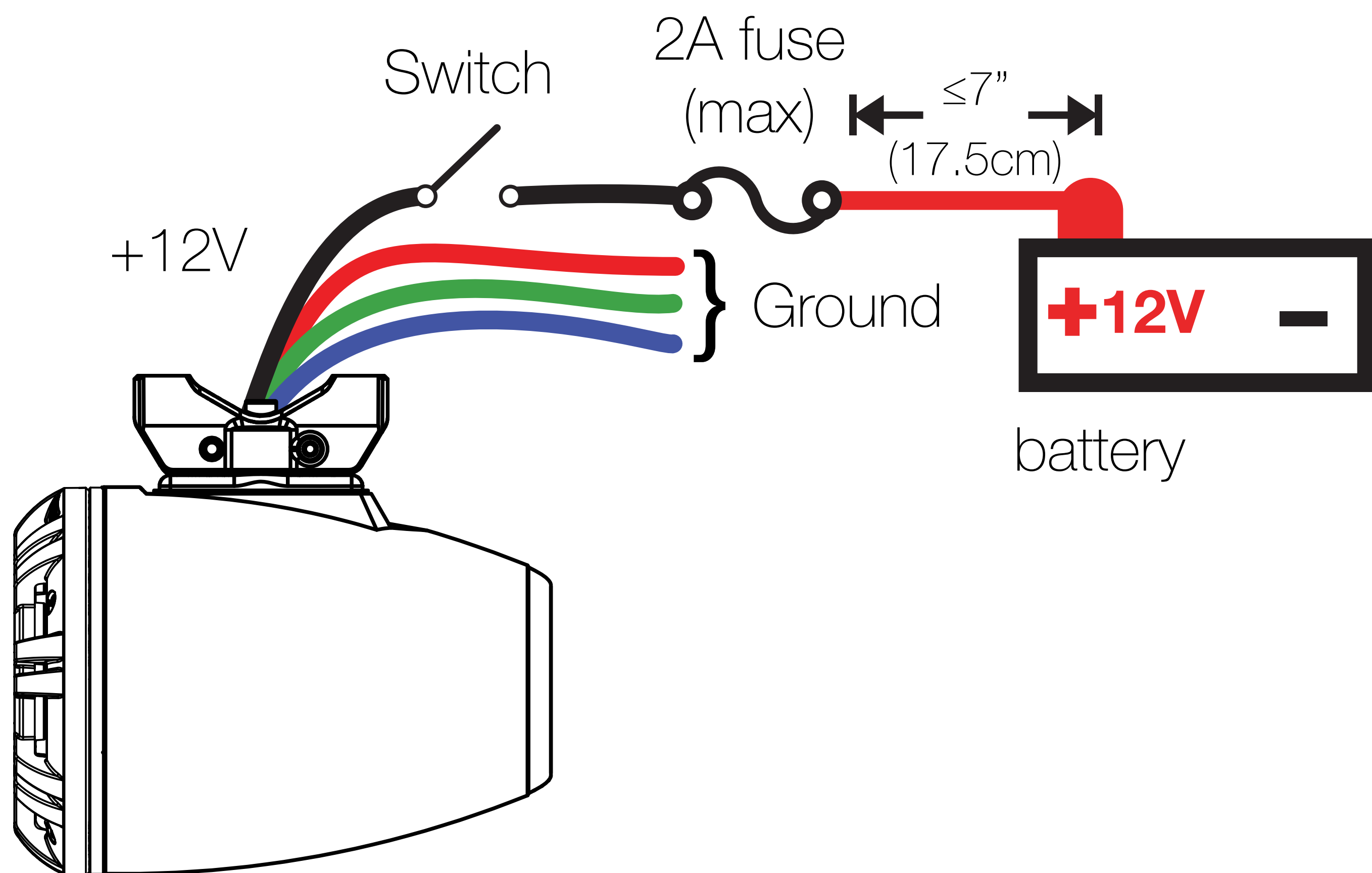
When hard-wiring the LED lighting, the black lead is +12V and the blue, red and green leads are ground.

1. Connect the black LED wire to the positive terminal of the battery.

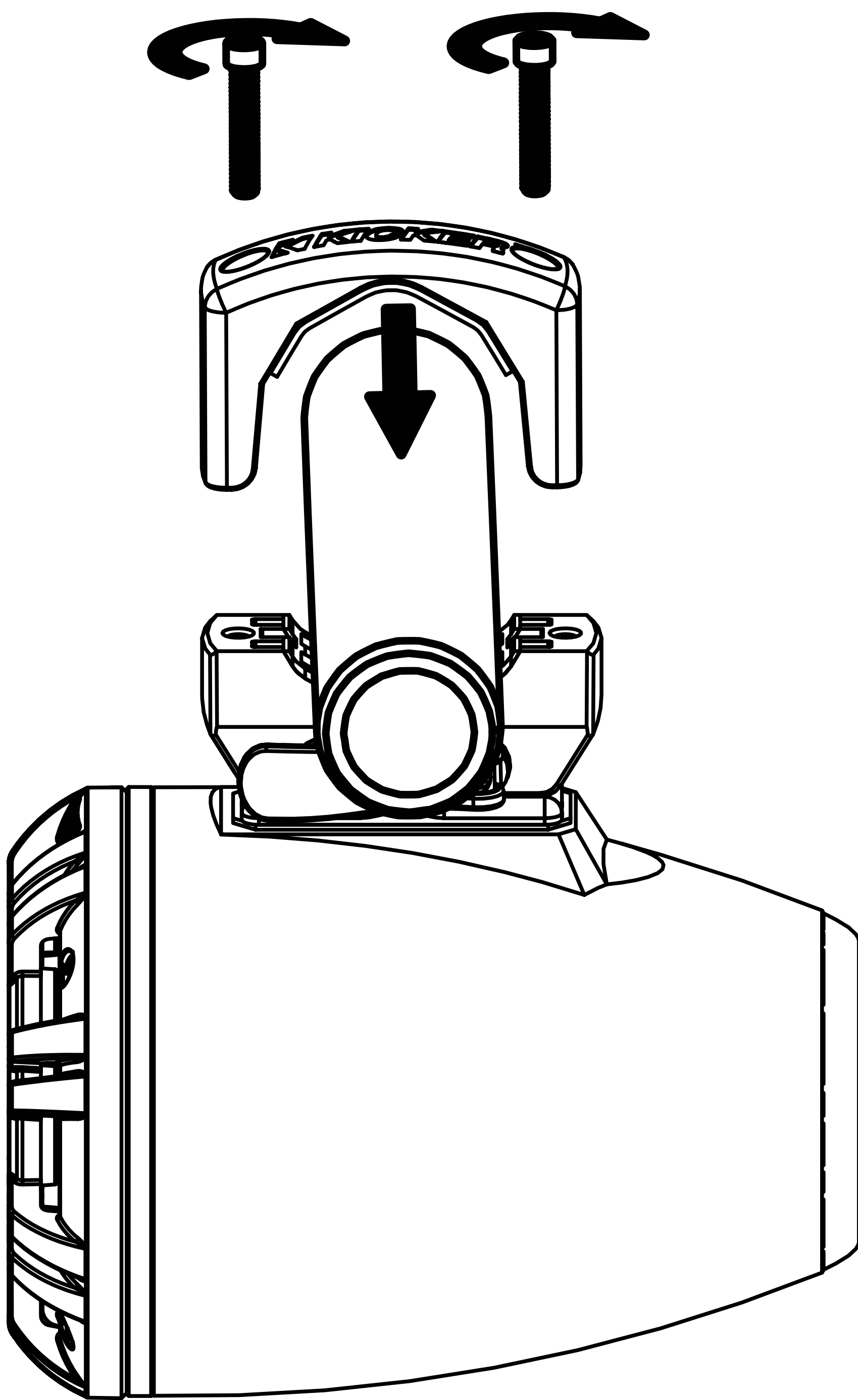
a. Place a 2-amp fuse (not included) no further than 7" away from the battery terminal.

b. Install a switch (not included) on the black LED wire between the fuse and the speaker, so the LED's can be turned off. Without a switch to turn them off, they will always be on.

2. Connect the red, blue and/or green LED wires to the negative terminal of the battery. See the chart below for available combinations. **Splice and combine the ground wires to yield a different color.** There are seven colors available, depending on your wiring configuration. KICKER recommends using the KMLC lighting controller (sold separately) for more colors, patterns, and special effects.



**Step 6:** Secure the enclosure to the tower tube with the upper and lower mounting brackets. With the wiring clearance hole you drilled and the wiring shroud on the lower mounting bracket lined up, position the enclosure assembly so that it is tightly against the tower tube. Once in position, install the upper mounting bracket using the included stainless steel socket-head cap screws. You will need to choose the appropriate length fastener based on the size of the tower tube to which you're mounting. Ensure the enclosure is secure by increasing the tension of the swivel lever thumbscrew attached to the swivel lever.



With the enclosure securely mounted, you may finish by opening the swivel lever and swiveling the assembly left or right. When you are satisfied with the orientation, close the swivel lever to lock the enclosure in place. If the enclosure is not locked tightly enough, tighten the thumbscrew.

# Warranty

---

When purchased from an Authorized KICKER Dealer, KICKER warrants this product to be free from defects in material and workmanship under normal use for a period of THREE (3) YEARS from date of original purchase with receipt. If this product is identified as “Refurbished” or “B Goods”, the warranty is limited to a period of THREE (3) MONTHS from the date of original purchase. In all cases you must have the original receipt. Should service be necessary under this warranty for any reason due to manufacturing defect or malfunction during the warranty period, KICKER will repair or replace (at its discretion) the defective merchandise with equivalent merchandise. Warranty replacements may have cosmetic scratches and blemishes. Discontinued products may be replaced with more current equivalent products. This warranty is valid only for the original purchaser and is not extended to owners of the product subsequent to the original purchaser. Any applicable implied warranties are limited in duration to a period of the express warranty as provided herein beginning with the date of the original purchase at retail, and no warranties, whether express or implied, shall apply to this product thereafter. Some states do not allow limitations on implied warranties; therefore, these exclusions may not apply to you. This warranty gives you specific legal rights; however you may have other rights that vary from state to state.

## **WHAT TO DO IF YOU NEED WARRANTY OR SERVICE:**

Defective merchandise should be returned to your local Authorized Stillwater Designs (KICKER) Dealer for warranty service. Assistance in locating an Authorized Dealer can be found at [www.KICKER.com](http://www.KICKER.com) or by contacting Stillwater Designs directly. You can confirm that a dealer is authorized by asking to see a current authorized dealer window decal.

If it becomes necessary for you to return defective merchandise directly to Stillwater Designs (KICKER), call the KICKER Customer Service Department at (405) 624-8510 for a Return Merchandise Authorization (RMA) number. Package only the defective items in a package that will prevent shipping damage, and return to:

**Stillwater Designs**  
**3100 North Husband St**  
**Stillwater, OK 74075**



The RMA number must be clearly marked on the outside of the package. Please return only defective components. The return of functioning items increases your return freight charges. Non-defective items will be returned freight collect to you. For example, if a subwoofer is defective, only return the defective subwoofer, not the entire enclosure. Include a copy of the original receipt with the purchase date clearly visible, and a “proof-of-purchase” statement listing the Customer’s name, Dealer’s name and invoice number, and product purchased. Warranty expiration on items without proof-of-purchase will be determined from the type of sale and manufacturing date code. Freight must be prepaid; items sent freight-collect, or COD, will be refused.

## **WHAT IS NOT COVERED?**

This warranty is valid only if the product is used for the purpose for which it was designed. It does not cover:

- o Damage due to improper installation
- o Subsequent damage to other components
- o Damage caused by exposure to moisture, excessive heat, chemical cleaners, and/or UV radiation
- o Damage through negligence, misuse, accident or abuse. Repeated returns for the same damage may be considered abuse
- o Any cost or expense related to the removal or reinstallation of product
- o Speakers damaged due to amplifier clipping or distortion
- o Items previously repaired or modified by any unauthorized repair facility
- o Return shipping on non-defective items
- o Products with tampered or missing barcode labels
- o Products with tampered or missing serial numbers
- o Products returned without a Return Merchandise Authorization (RMA) number
- o Products purchased from an UNAUTHORIZED dealer
- o Freight Damage
- o The cost of shipping product to KICKER
- o Service performed by anyone other than KICKER

## **HOW LONG WILL IT TAKE?**

KICKER strives to maintain a goal of one-week service for all acoustics (subwoofers, midrange drivers, tweeters, crossovers, etc) returns. Delays may be incurred if lack of replacement inventory or parts is encountered. Failure to follow these steps may void your warranty. Any questions can be directed to the KICKER Customer Service Department at (405) 624-8510. Contact your International KICKER dealer or distributor concerning specific procedures for your country’s warranty policies.

# Garantía | Garantie

---

Contact your International KICKER dealer or distributor concerning specific procedures for your country's warranty policies.

Our goods come with guarantees that cannot be excluded under the **Australian Consumer Law**. You are entitled to a replacement or refund for a major failure and for compensation for any other reasonably foreseeable loss or damage. You are also entitled to have the goods repaired or replaced if the goods fail to be of acceptable quality and the failure does not amount to a major failure.

## **GARANTÍA INTERNACIONAL**      **Versión Español**

Comuníquese con su concesionario o distribuidor KICKER internacional para obtener información sobre procedimientos específicos relacionados con las normas de garantía de su país.

La frase "combustible para vivir la vida Livin' Loud™ a todo volumen" se refiere al entusiasmo por la vida que la marca KICKER de estéreos de automóvil representa y a la recomendación a nuestros clientes de que vivan lo mejor posible ("a todo volumen") en todo sentido. La línea de altavoces y amplificadores KICKER es la mejor del mercado de audio de automóviles y por lo tanto representa el "combustible" para vivir a todo volumen en el área de "estéreos de automóvil" de la vida de nuestros clientes. Recomendamos a todos nuestros clientes que obedezcan todas las reglas y reglamentos locales sobre ruido en cuanto a los niveles legales y apropiados de audición fuera del vehículo.

## **INTERNATIONALE GARANTIE**      **Deutsche Version**

Nehmen Sie mit Ihren internationalen KICKER-Fachhändler oder Vertrieb Kontakt auf, um Details über die Garantieleistungen in Ihrem Land zu erfahren.

Der Slogan "Treibstoff für Livin' Loud" bezieht sich auf die mit den KICKER-Autostereosystemen assoziierte Lebensfreude und die Tatsache, dass wir unsere Kunden ermutigen, in allen Aspekten ihres Lebens nach dem Besten ("Livin' Loud") zu streben. Die Lautsprecher und Verstärker von KICKER sind auf dem Markt für Auto-Soundsysteme führend und stellen somit den "Treibstoff" für das Autostereoerlebnis unserer Kunden dar. Wir empfehlen allen unseren Kunden, sich bezüglich der zugelassenen und passenden Lautstärkepegel außerhalb des Autos an die örtlichen Lärmvorschriften zu halten.

## **GARANTIE INTERNATIONALE**      **Version Française**

Pour connaître les procédures propres à la politique de garantie de votre pays, contactez votre revendeur ou distributeur International KICKER.

L'expression "carburant pour vivre plein pot" fait référence au dynamisme de la marque KICKER d'équipements audio pour véhicules et a pour but d'encourager nos clients à faire le maximum ("vivre plein pot") dans tous les aspects de leur vie. Les haut-parleurs et amplificateurs KICKER sont les meilleurs dans le domaine des équipements audio et représentent donc pour nos clients le "carburant pour vivre plein pot" dans l'aspect "installation audio de véhicule" de leur vie. Nous encourageons tous nos clients à respecter toutes les lois et réglementations locales relatives aux niveaux sonores acceptables à l'extérieur des véhicules.

P.O. Box 459

Stillwater, Oklahoma 74076

USA

(405) 624-8510

 **stillwaterdesigns**