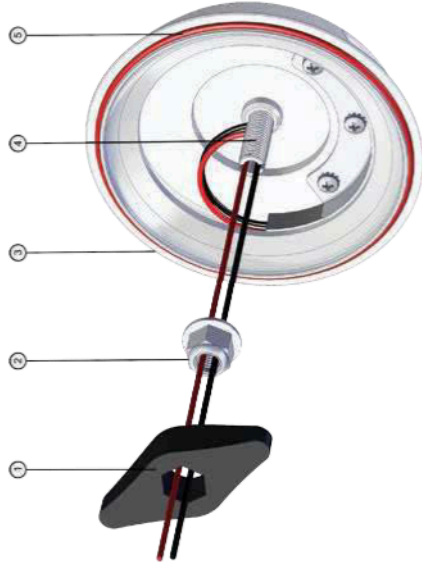


Included Hardware:
(hardware pictured for one)



NOTE: The M-LCA-CW Light Cap and M880-ETXv3-SG-WH Enclosed Speaker System are used in this manual for illustrative purposes only. The installation steps are the same for all ETXv3 and VeX™ Enclosed Speaker Systems and all LED Light Caps.

BOM ID	Quantity	Description
1	1	M10 Locknut Tool
2	2	M10 x 1.5 Nylon Insert Flange Locknut
3	2	LED Light Cap
4*	2	Threaded Stud
5*	2	O-Ring
-	2	150mA Fuse (not shown)
-	2	Fuse Holder (not shown)
-	2	Female Connector (not shown)

* Pre-installed on LED Cap

LED Light Cap Wiring:

Wire Size	Wire Color	Use
18 AWG	Red	LED Positive (+)
	Black	LED Negative (-)

Enclosed Speaker System Wiring:

Wire Size	Wire Color	Use
16 AWG	Red/Stripe	Speaker Positive (+)
	Black/Stripe	Speaker Negative (-)
20 AWG	Red	LED Light Cap Positive (+)
	Green	LED Light Cap Negative (-)
	Blue	Speaker LED Positive (+)
	Yellow	Speaker LED Negative (-)

Note: Not all wires may be used in normal applications.

LIMITED WARRANTY - MARINE PRODUCTS (USA)

JL AUDIO warrants this product to be free of defects in materials and workmanship for a period of two (2) years from the original date of purchase.

This warranty is not transferable and applies only to the original purchaser from an authorized JL AUDIO dealer. Should service be necessary under this warranty for any reason due to manufacturing defect or malfunction, JL AUDIO will (at its discretion), repair or replace the defective product with new or remanufactured product at no charge. Damage caused by the following is not covered under warranty: accident, misuse, abuse, product modification or neglect, failure to follow installation instructions, unauthorized repair attempts, misrepresentations by the seller. This warranty does not cover incidental or consequential damages and does not cover the cost of removing or reinstalling the unit(s). Cosmetic damage due to accident or normal wear and tear is not covered under warranty.

Any applicable implied warranties are limited in duration to the period of the express warranty as provided herein beginning with the date of the original purchase at retail, and no warranties, whether express or implied, shall apply to this product thereafter. Some states do not allow limitations on implied warranties, therefore these exclusions may not apply to you. This warranty gives you specific legal rights, and you may also have other rights which vary from state to state.

For Service Information in the U.S.A, please call
JL Audio Customer Service: (954) 443-1100
 9:00 AM – 5:30 PM (Eastern Time Zone)

JL Audio, Inc
 10369 North Commerce Pkwy.
 Miramar, FL 33025, USA

International Warranties:
 Products purchased outside the United States of America are covered only by that country's distributor and not by JL Audio, Inc.

JL AUDIO | How we play.™

www.jlaudio.com

JL Audio and the JL Audio logo are registered trademarks of JL Audio, Inc. "Head of the Curve" and its respective logo is a trademark of JL Audio, Inc. ©2017 JL Audio, Inc. For more detailed information please visit us online at www.jlaudio.com. Due to our policy of continuous product development, all specifications are subject to change without notice.



Printed in U.S.A. • 112017



011481



Head of the Curve™



Installation Instructions for

M-LCA-CW
&
M-LCB-CW

LED LIGHT CAP

FOR ETXv3 & VeX™ ENCLOSED SPEAKER SYSTEMS



Printed in U.S.A. • 112017



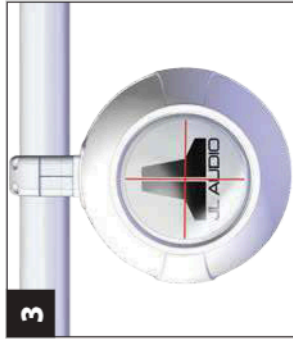
011481



1 Remove the six #8 x 1-1/4" Pan Head Screws and six #8 Flat Washers that secure the speaker to the enclosure.



2 Disconnect the speaker wiring and speaker LED wiring (if equipped), and remove the speaker from the enclosure.



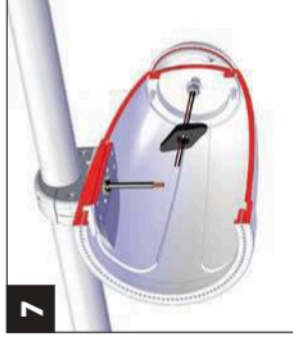
3 Using the exterior angles of the JL Audio logo as a guide, mark the center of the rear aluminum logo cap, as shown. Using a punch tool, make an indent in the aluminum logo cap on the center mark.



4 Using a 7/16" drill bit, carefully drill through the center of the rear aluminum logo cap, into the enclosure. File any sharp edges.



5 Pass the LED wires and Threaded Stud on the back of the LED Light Cap through the drilled hole, and position the cap flush against the back of the enclosure.



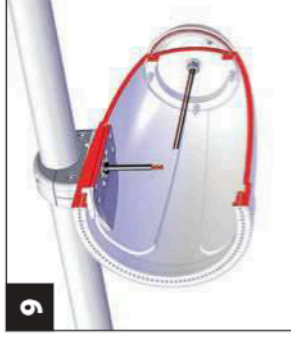
7 Slide the M10 Locknut Tool over the LED wires and onto the M10 x 1.5 Nylon Insert Flange Locknut.



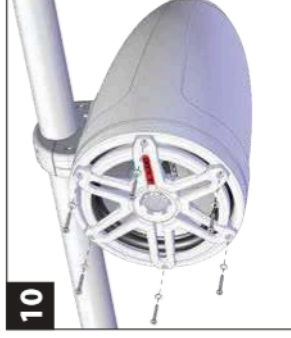
6 Slide an M10 x 1.5 Nylon Insert Flange Locknut over the LED wiring, and hand-tighten onto the Threaded Stud.



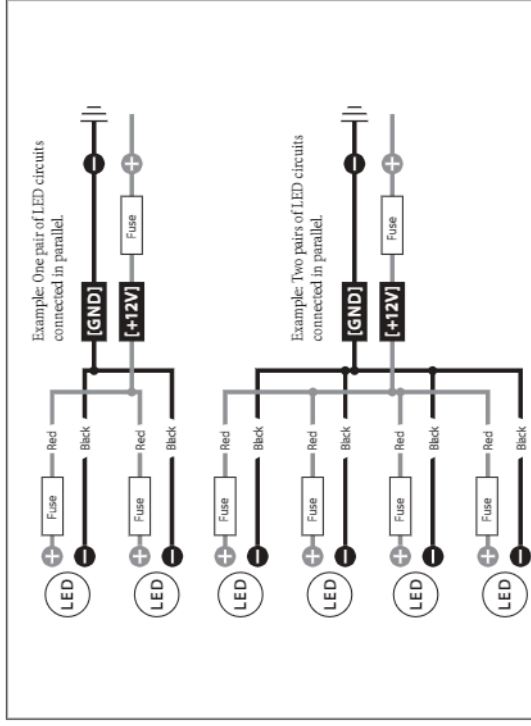
8 Rotate the LED Light Cap to the desired angle. Using the M10 Locknut Tool, fully tighten the M10 x 1.5 Nylon Insert Flange Locknut until the O-ring is fully compressed and not visible to ensure the unit is properly sealed. Remove the M10 Locknut Tool from the enclosure.



9 Connect the LED wires from the LED Light Cap to the LED wires entering the enclosure. Refer to the wiring charts on the opposite page for details. DO NOT install the fuse holders inside the enclosure.



10 Reconnect the speaker wiring, and reinstall the speaker using the six #8 x 1-1/4" Pan Head Screws and six #8 Flat Washers.



- For marine installations, do not connect the LED lights to the vessel's navigational lighting circuits.
- For short-circuit protection, install a supplied fuseholder onto EACH LED Light Cap's RED (+12V) LED power connection lead.
- We recommend activating the LEDs thru a lighting circuit that supplies +12V via an existing switch. If an existing switched circuit is not available, you may install a dedicated toggle/rocker style switch that will supply positive (+12V) power. Fuse this connection according to how many LED circuits you have (LED circuits x 150 mA).
- Connect all RED (+12V) leads together (parallel) and connect to a switched +12V supply. Connect all GREEN (GND) leads together and connect to a negative ground or to the NEGATIVE battery post.