



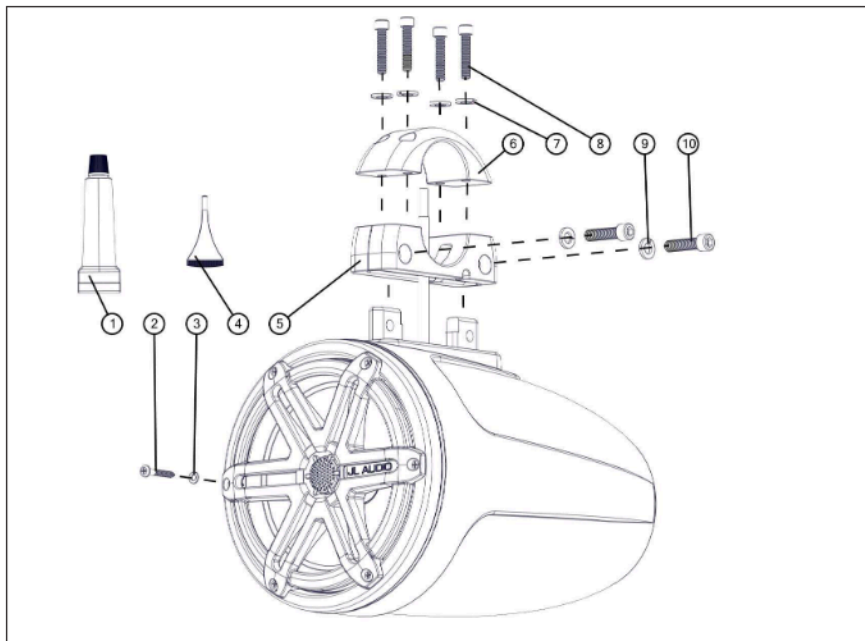
Installation Instructions for  
**M-MCPv3**  
fixed-mount fixtures for round pipes

PIPE MOUNTING FIXTURES (FIXED)  

---

FOR ETXv3 ENCLOSED SPEAKER SYSTEMS

## Included Hardware:

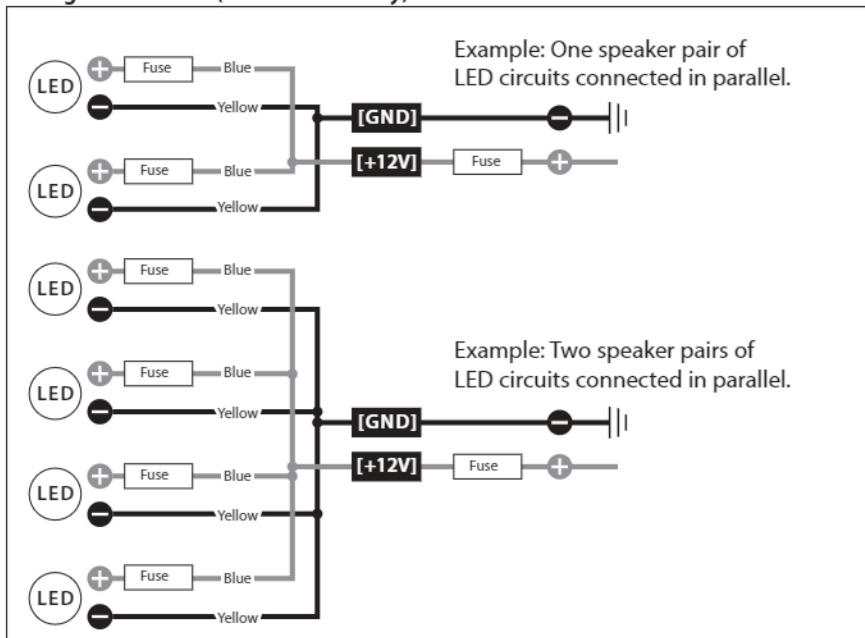


BOM ID	Quantity	Description
1*	1	Silicone Adhesive
2*	12	#8 x 1-1/4" Pan Head Screw
3*	12	#8 Flat Washer
4	2	Loctite® Red Thread-Locking Compound
5	2	Lower Fixture
6	2	Upper Fixture
7	8	1/4" Split Lock Washer
8	8	1/4 - 20 x 1-1/4" Machine Screw
9	4	5/16" Split Lock Washer
10	4	5/16 - 18 x 1-1/4" Machine Screw

\* Supplied with ETXv3 speaker system.

**NOTE:** The M-MCPv3-2.000 Fixture and M770-ETXv3-SG-WH Enclosed Speaker System are used in this manual for illustrative purposes only. The fixture installation steps are the same for all ETXv3 Enclosed Speaker Systems and all M-MCPv3 fixed-mount fixtures for round pipes.

## Wiring Information (LED models only):



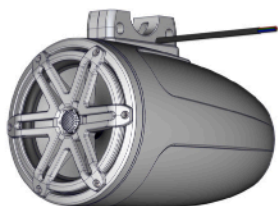
Wire Size	Wire Color	Use
16 AWG	Red/Stripe	Speaker Positive (+)
	Black/Stripe	Speaker Negative (-)
20 AWG	Red	Not Used
	Green	Not Used
	Blue	LED Positive (+)
	Yellow	LED Negative (-)

**NOTE:** Not all wires may be used in normal applications.

- For marine installations, do not connect the speaker's LED lights to the vessel's navigational lighting circuits.
- For short-circuit protection, install a supplied fuseholder onto EACH speaker's BLUE (+12V) LED power connection lead.
- Connect all BLUE (+12V) leads together (parallel) and connect to a switched +12V supply. Connect all YELLOW (GND) leads together and connect to a negative ground or to the NEGATIVE battery post.
- We recommend activating the speakers' LEDs thru a lighting circuit that supplies +12V via an existing switch. If an existing switched circuit is not available, you may install a dedicated toggle/rocker style switch that will supply positive (+12V) power. Fuse this connection according to how many LED circuits you have (LED circuits x 150 mA).

## Installation Procedure:

1A



There are two speaker cable routing options. For applications where the cable cannot be routed through the pipe, the cable can be passed through one of the openings on the side of the Lower Fixture.

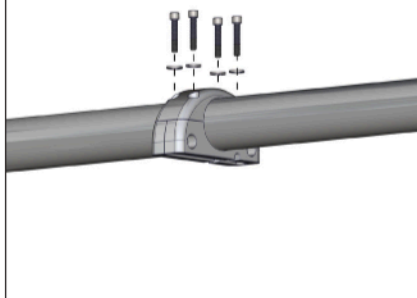
1B



OR

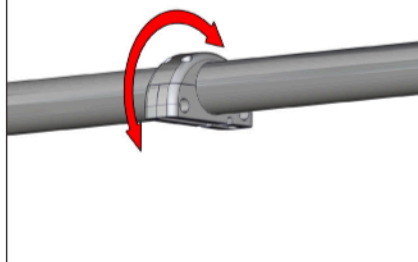
For applications where the cable can be routed through the pipe, the cable can be passed through the opening in the bottom of the Lower Fixture. Steps 2, 3, and 6 are only necessary for this option.

2



Determine the speaker mounting location. Slide a 1/4" Split Lock Washer over each of the four 1/4 - 20 x 1-1/4" Machine Screws, and hand tighten the screws into the Lower Fixture to temporarily secure the two fixture halves around the pipe.

3



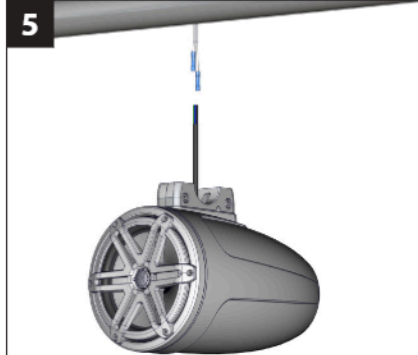
Adjust the angle of the fixture to the desired position, and mark the location for the cable hole. Remove the fixture assembly, and drill a 5/16" or 3/8" hole in the mark. If necessary, use a file or sandpaper to smooth the edges to ensure no sharp edges.

4

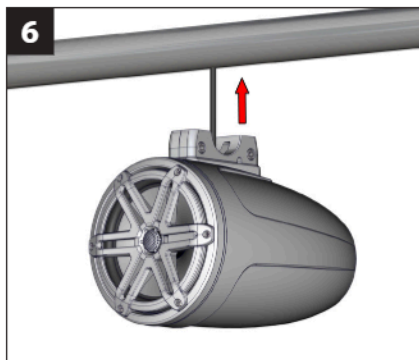


Align the Lower Fixture to the enclosure. Install (2) 5/16" Split Lock Washers and (2) 5/16 - 18 x 1-1/4" Machine Screws as pictured. Apply Loctite® Red Thread-Locking Compound to each screw end, thread them into the Lower Fixture, and fully tighten while pressing down on the Lower Fixture to ensure no gap.

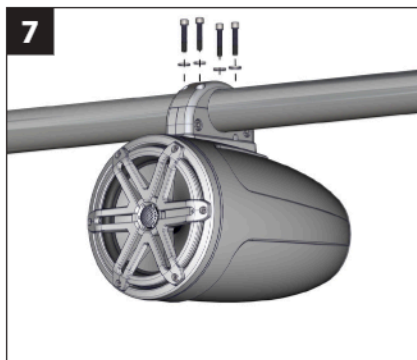
5



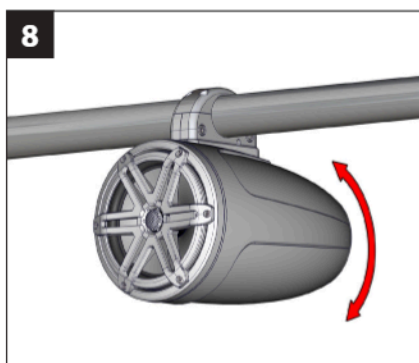
Have a helper support the enclosure during this step. Connect the 16 AWG red/stripe (+) and black/stripe (-) speaker cable exiting the ETXv3 enclosure to the speaker cable exiting the pipe. For LED models, connect the 20 AWG blue LED (+) and yellow LED (-) as illustrated on Page 2.



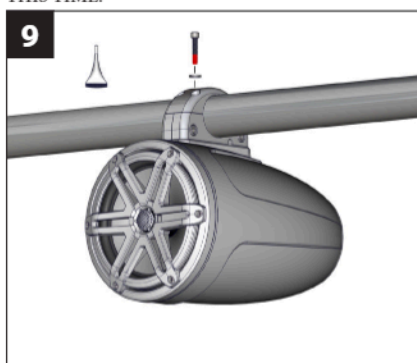
Slide the excess cable into the opening in the pipe as you raise the enclosure to flush the Lower Fixture to the pipe.



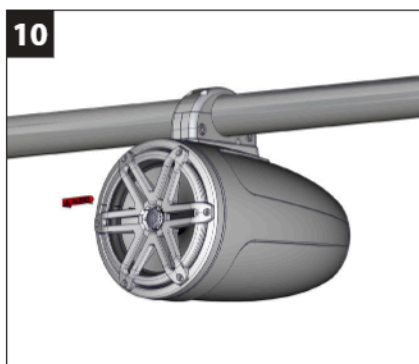
Align the two halves of the fixture around the pipe. Install (2) 1/4" Split Lock Washers and (2) 1/4 - 20 x 1-1/4" Machine Screws as pictured, and hand tighten them into the fixture. **DO NOT FULLY TIGHTEN AT THIS TIME.**



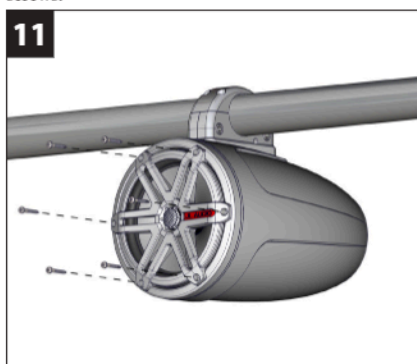
Adjust the yaw angle of the enclosure and fixture assembly to the desired position.



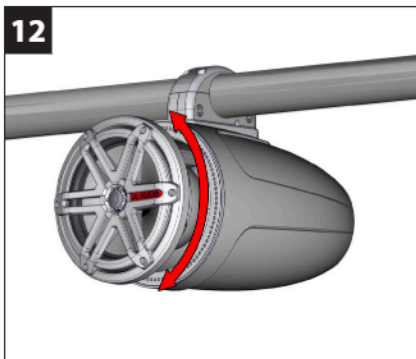
Remove one of the 1/4 - 20 x 1-1/4" Machine Screws at a time. Apply Loctite® Red Thread-Locking Compound to the screw end, reinstall, and fully tighten. Repeat the process for the other three screws.



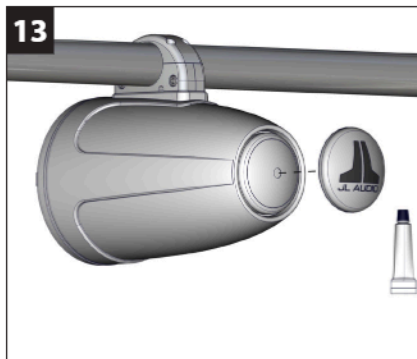
Remove adhesive backing and install the JL Audio logo badge (*Sport Grille Models Only*).



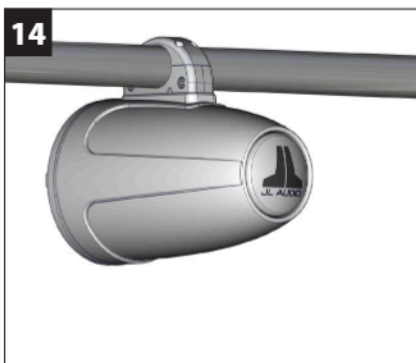
If a different speaker angle is desired, remove the #8 x 1-1/4" Pan Head Screws and #8 Flat Washers securing the speaker in the enclosure.



**12**  
Rotate the speaker to the desired angle. Reinstall the #8 x 1-1/4" Pan Head Screws and #8 Flat Washers.



**13**  
For best adhesion, it is recommended to clean the inside of the aluminum cap with acetone (not included) prior to attaching it to the enclosure. Apply a circular bead of Silicone Adhesive to the inside of the aluminum logo cap, about 1/2-inch (13 mm) from the outer edge.



**14**  
Align the aluminum logo cap to the desired angle of rotation, and press it onto the back of the enclosure. Apply masking tape (not included) to hold the cap in place until the silicone cures (at least 24 hours).



## Limited Warranty - MARINE PRODUCTS (USA)

JL AUDIO warrants this product to be free of defects in materials and workmanship for a period of two (2) years from the original date of purchase.

This warranty is not transferable and applies only to the original purchaser from an authorized JL AUDIO dealer. Should service be necessary under this warranty for any reason due to manufacturing defect or malfunction, JL AUDIO will (at its discretion), repair or replace the defective product with new or remanufactured product at no charge. Damage caused by the following is not covered under warranty: accident, misuse, abuse, product modification or neglect, failure to follow installation instructions, unauthorized repair attempts, misrepresentations by the seller. This warranty does not cover incidental or consequential damages and does not cover the cost of removing or reinstalling the unit(s). Cosmetic damage due to accident or normal wear and tear is not covered under warranty.

Any applicable implied warranties are limited in duration to the period of the express warranty as provided herein beginning with the date of the original purchase at retail, and no warranties, whether express or implied, shall apply to this product thereafter. Some states do not allow limitations on implied warranties, therefore these exclusions may not apply to you. This warranty gives you specific legal rights, and you may also have other rights which vary from state to state.

### For Service Information in the U.S.A. please call

#### JL Audio Customer Service:

(954) 443-1100

9:00 AM – 5:30 PM (Eastern Time Zone)

#### JL Audio, Inc.

10369 North Commerce Pkwy.

Miramar, FL 33025

(Do not send product for repair to this address)

### International Warranties:

Products purchased outside the United States of America are covered only by that country's distributor and not by JL Audio, Inc.

**JL AUDIO® | How we play.™**

**w w w . j l a u d i o . c o m**

JL Audio® and the JL Audio logo are registered trademarks of JL Audio, Inc. "Ahead of the Curve" and it's respective logo is a trademark of JL Audio, Inc. ©2016 JL Audio Inc • For more detailed information, please visit us online at [www.jlaudio.com](http://www.jlaudio.com). Due to our policy of continuous product development, all specifications are subject to change without notice.



SKU# 011443  
Printed in U.S.A. • 05.25.2016

