

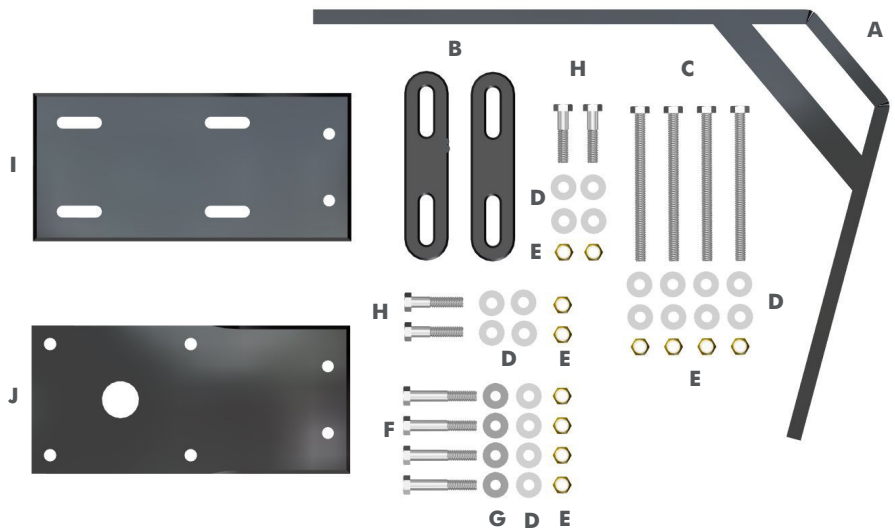


SWIFT. SILENT. SECURE.

PONTOON DECK MOUNT ADAPTER PLATE (LONG-LONG) INSTRUCTIONS

Hardware:

- A.** (1) PK-D-13-11-U
- B.** (2) Backer plates
- C.** (4) 3/8" x 5" All thread bolts
- D.** (20) 3/8" Heavy thunder washers
- E.** (12) 3/8" Lock nuts
- F.** (4) 3/8" x 2.25" Bolts
- G.** (4) 3/8" x 7/8" Neo-bond washer
- H.** (4) 3/8" x 1.75" Bolts
- I.** (1) Deck mount scab (Upper)
- J.** (1) Deck mount scab (Lower)



Installation Tools:

- 9/16" Socket with Ratchet
- 9/16" Wrench
- 13/32" Drill Bit
- Pencil

INSTALLATION

STEP 1 Choosing a deck mounting location:

- 1.1 Place the deck mount adapter plate **(A)** & deck mount scab **(I)** on top of the boat deck directly behind the pontoon. The deck mount scab **(I)** has a beveled edge that should face up. **FIG. 1**.
- 1.2 With the deck mount adapter plate **(A)** & deck mount scab **(I)** in position as illustrated **FIG. 1** ensure the underside of the boat deck has adequate clearance for the 5" mounting bolts **(C)**. **FIG. 2** or **FIG. 3**.

CLEARANCE: Turn and tilt the outboard motor through its full range of motion to ensure clearance when mounting the Power-Pole Shallow Water Anchor.

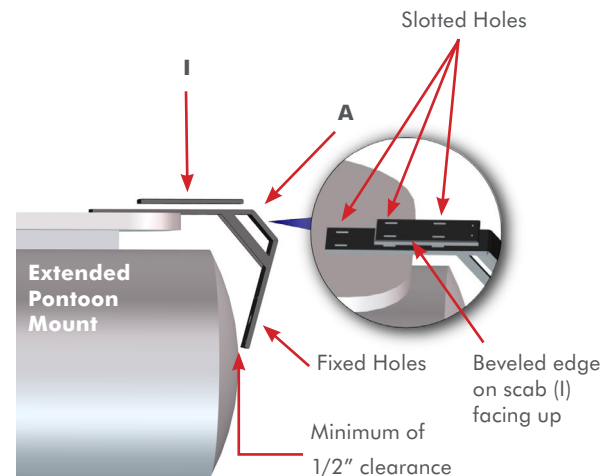


Figure 1



SWIFT. SILENT. SECURE.

STEP 2 Mounting the Deck Mount Adapter Plate:

2.1 Once the mounting location has been selected, mark the mounting holes.

NOTE: These holes should pass through a stringer as shown in the preferred method **FIG. 2** or have adequate space to install the Backer plates (**B**) as shown in the alternate method **FIG. 3**.

IMPORTANT: Carefully inspect and confirm your desired mounting location BEFORE drilling any holes.

2.2 Carefully drill the marked holes with a 13/32" drill bit ensuring clearance underneath the deck mounting area.

2.3 Install the hardware with upper and lower deck mounts scabs (**I**) and (**J**) in place as illustrated for the preferred method **FIG. 2** or the alternate method **FIG. 3**.

STEP 3 Mounting the Power-Pole® Shallow Water Anchor to Deck Mount Adapter Plate:

3.1 Place neo-bond washers (**G**) onto bolts (**F**) with the rubber side facing the threaded end of bolts (**F**).

3.2 Insert bolts (**F**) through the Power-Pole stern bracket, adapter plate (**A**), heavy thunder washer (**D**) and lock nuts (**E**). Tighten the lock nuts to 240 inch pounds / 20 foot pounds of torque **FIG. 4**

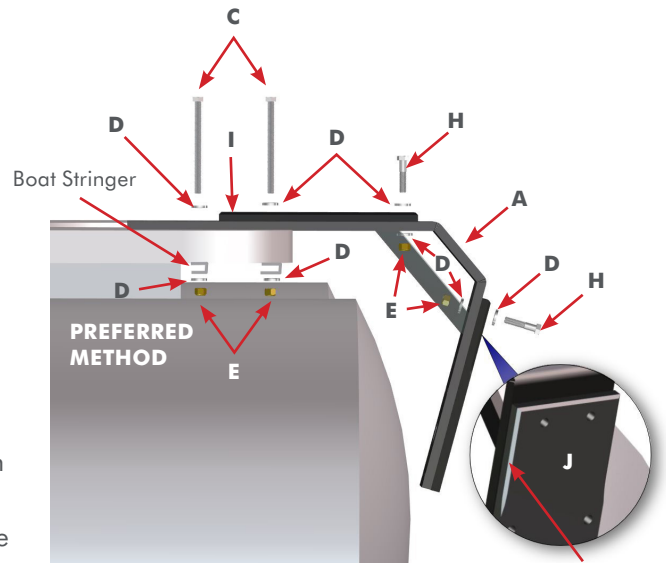


Figure 2

Beveled edge facing out

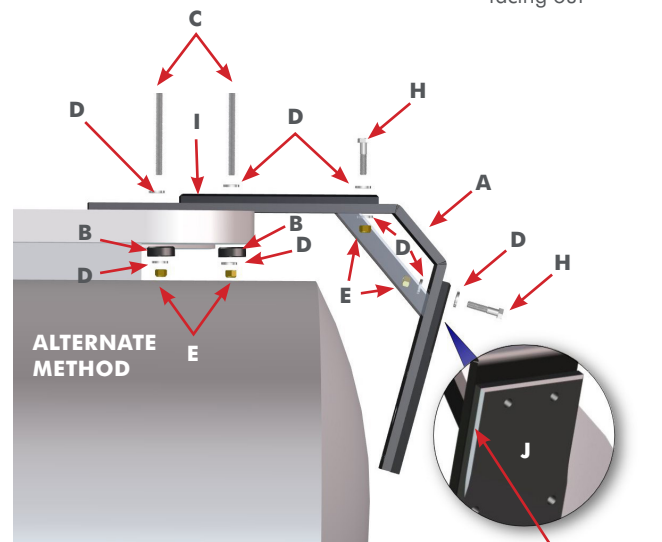


Figure 3

Beveled edge facing out

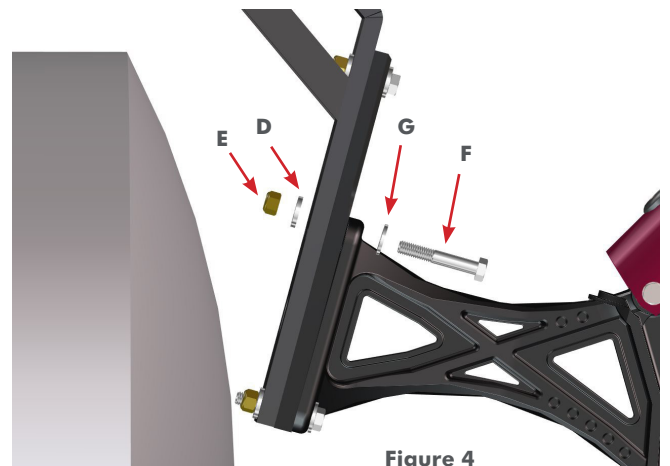


Figure 4

Product Quality Assurance

JL Marine Systems, Inc. assures that this product is made with the finest quality materials and is free from manufacturer defects. Please inspect this product immediately prior to installation. If defects are apparent, please contact JL Marine Systems, Inc. Warranty Department at 813-689-9932 immediately.

Please read all instructions carefully for proper product installation. JL Marine Systems, Inc. is not responsible for improper installation of product.

Hardware missing? Need help? Contact our Technical Support Team at **1 + 813.689.9932 Option 2**

