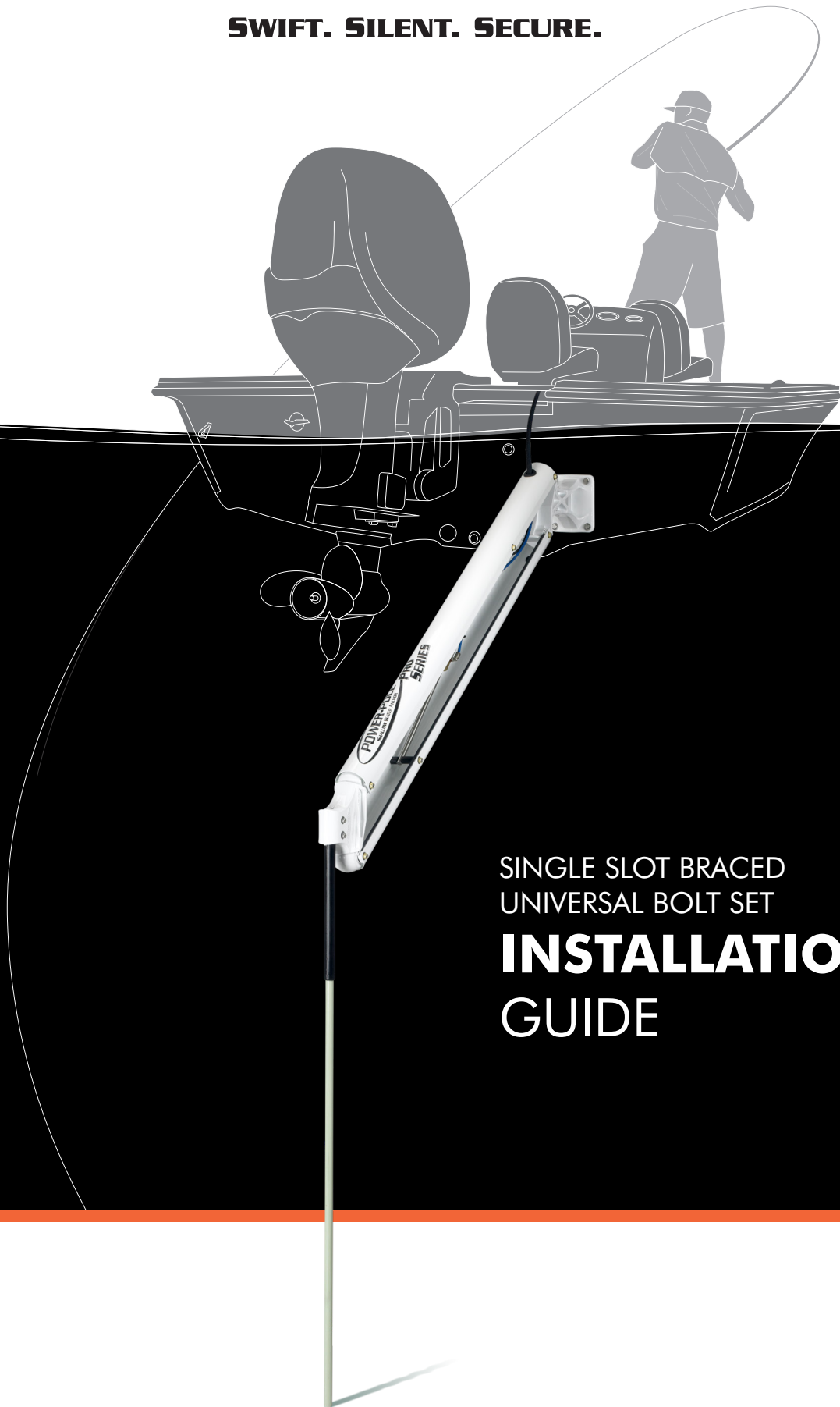




**SWIFT. SILENT. SECURE.**

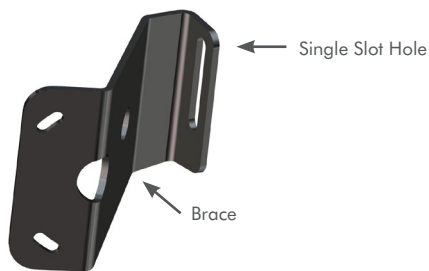


SINGLE SLOT BRACED  
UNIVERSAL BOLT SET  
**INSTALLATION**  
GUIDE

# SINGLE SLOT BRACED UNIVERSAL BOLT SET INSTRUCTIONS

Identify your jack plate and follow the corresponding installation instructions. Be sure to check each adapter plate for a "P" for port side or "S" for starboard mounting.

This is a universal bolt set for installing a side mount adapter plate where the brace mounts using a single slot as pictured. The bolt set also contains the necessary hardware for mounting to our Motor to Side (M to S) bracket/plate.

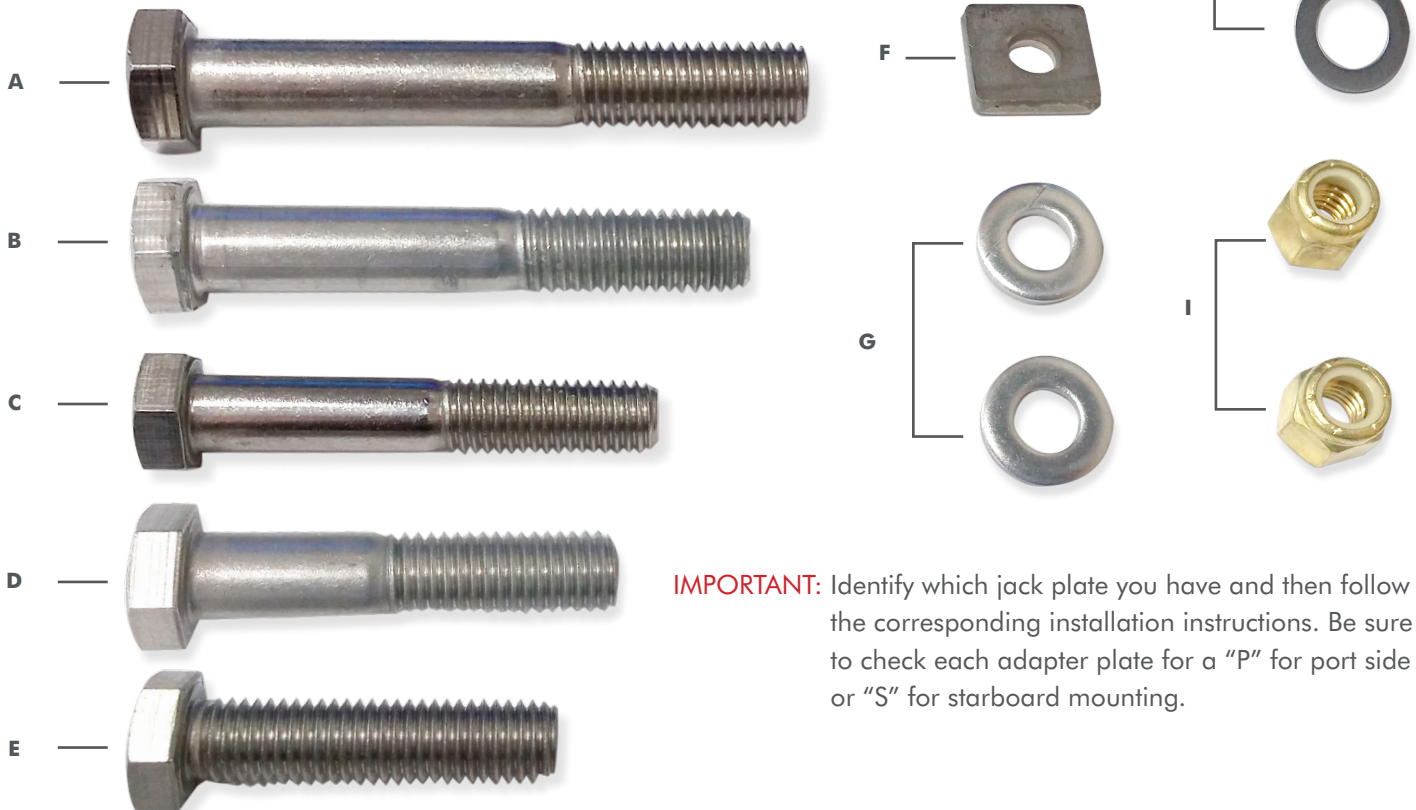


## Hardware:

- A. (1) 1/2" x 3-1/2" Bolt
- B. (1) 1/2" x 3-1/4" Bolt
- C. (1) 1/2" x 2-3/4" Bolt
- D. (1) 1/2" x 2-1/2" Bolt
- E. (1) 1/2" x 2" Bolt
- F. (1) 1/2" Square Washer
- G. (2) 1/2" Heavy Flat Washers
- H. (2) 1/2" Thin Washers
- I. (2) 1/2" Nylon Lock Nuts

## Installation Tools:

- 3/4" Socket & Wrench
- Torque Wrench



**IMPORTANT:** Identify which jack plate you have and then follow the corresponding installation instructions. Be sure to check each adapter plate for a "P" for port side or "S" for starboard mounting.

# T-H Marine Atlas Jack Plate 4" & 6"

## INSTALLATION

**STEP 1** Locate the two pre-drilled 1/2" holes on the outside of the jack plate underneath the factory Atlas sticker. **Fig 1** Skip steps 2 and 3 if pre-drilled holes were found.

**NOTE:** Mount adapter plate with a minimum of 1/2" outer edge clearance between the adapter plate and boat. **Fig. 2**

**STEP 2** If there are no pre-drilled holes then refer to the Atlas Drill Measurement Guide at the back of this booklet. Check on the inside of the jack plate where the hole is to be drilled for any obstructions and clearance issues of hardware to be installed.

**STEP 3** Drill a 1/2" hole into each of the determined hole locations.

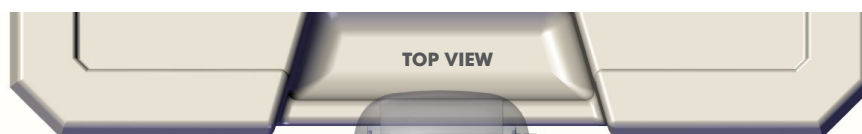
**STEP 4** Install the bolts and hardware as illustrated in **Fig. 2** for braced adapter plate installation.



Figure 1

Pre-drilled hole location

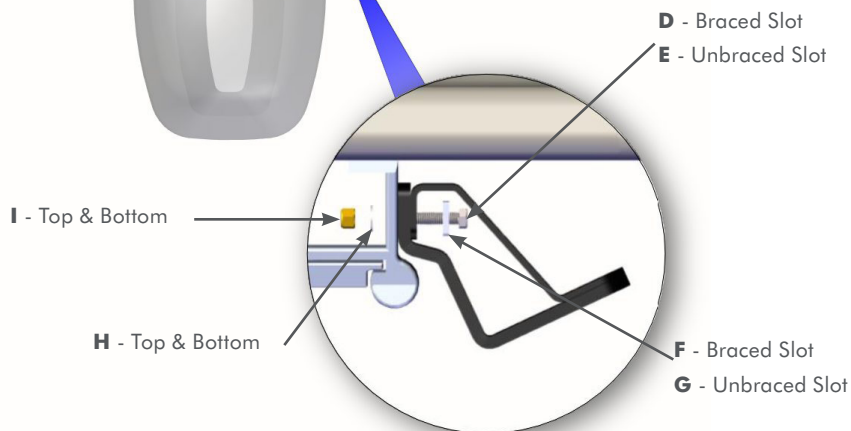
Example: Starboard side  
Figure 2



**NOTE:** The side mount adapter plate has slotted holes for height adjustment.

**STEP 5** Finish by tightening to 960 inch pounds / 80 foot pounds of torque.

**STEP 6** Mount the Power-Pole anchor to the adapter plate by following the mounting instructions in the adapter plate hardware kit.



# T-H Marine Atlas Jack Plate 8", 10", & 12"

## INSTALLATION

**STEP 1** Determine if mounting to the spacer or jack plate depending on clearance requirement.

**NOTE:** Mount adapter plate with a minimum of 1/2" outer edge clearance between the adapter plate and boat. **Fig. 2**

**STEP 2** Locate the two pre-drilled 1/2" holes on the outside of jack plate or spacer underneath the factory Atlas sticker. **Fig. 1** skip steps 3 and 4 if pre-drilled holes were found.

**STEP 3** If there are no pre-drilled holes then refer to the appropriate Atlas Drill Measurement Guide at the back of this booklet. Check on the inside of the jack plate where the hole is to be drilled for any obstructions and clearance issues of hardware to be installed.

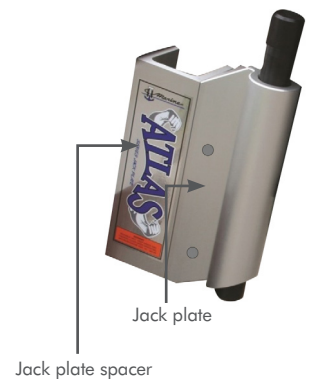
**STEP 4** Drill a 1/2" hole into each of the determined hole locations.

**STEP 5** Install the bolts and hardware as illustrated in **Fig. 2** for adapter plate with brace installation.

**NOTE:** The side mount adapter plate has slotted holes for height adjustment.

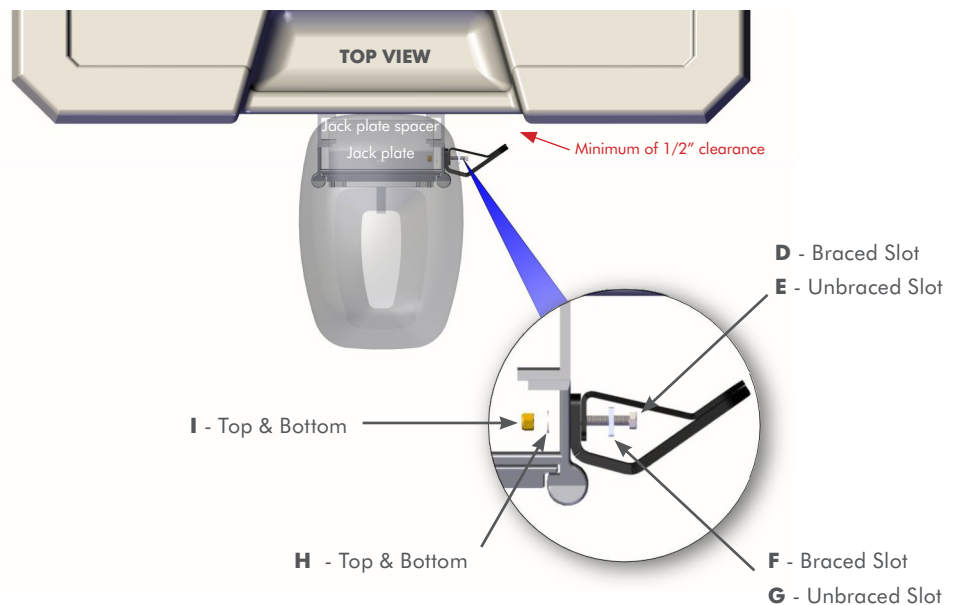
**STEP 6** Finish by tightening to 960 inch pounds / 80 foot pounds of torque.

**STEP 7** Mount the Power-Pole anchor to the adapter plate by following the mounting instructions in the adapter plate hardware kit.



**Figure 1**

**Example: Starboard side**  
**Figure 2**



# R & R SlideMaster Jack Plate

## INSTALLATION

**CAUTION:** For dual installation, completely install each adapter plate on one side at a time.

**STEP 1** Properly support your outboard motor according to the guidelines in your outboard engine's owner manual.

**NOTE:** Mount adapter plate with a minimum of 1/2" outer edge clearance between the adapter plate and boat. **Fig. 2**

**STEP 2** Remove the outside plate and bolts on your SlideMaster manual jack plate. **Fig 1**

**STEP 3** Install the bolts and hardware as illustrated in **Fig. 2** for adapter plate with brace installation.

**NOTE:** The side mount adapter plate has slotted holes for height adjustment.

**STEP 4** Finish by tightening to 960 inch pounds / 80 foot pounds of torque.

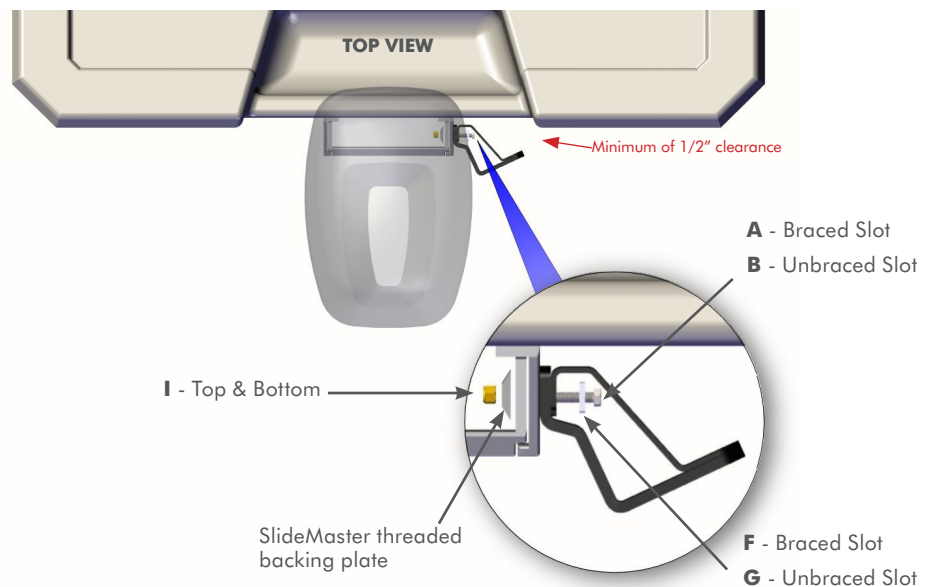
**STEP 5** Mount the Power-Pole anchor to the adapter plate by following the mounting instructions in the adapter plate hardware kit.



SlideMaster outer plate will not be used.

**Figure 1**

**Example: Starboard side**  
**Figure 2**



# Bob's Machine Shop (BMS) Jack Plate – All Sizes

## INSTALLATION

**IMPORTANT:** Some BMS plates may require additional spacer. To order, call JL Marine Systems, Inc. at 813-689-9932 Opt. 2.

**STEP 1** Locate the two pre-drilled 1/2" holes underneath the decal stickers.

**Fig. 1** skip steps 2 and 3 if pre-drilled holes were found.

**NOTE:** Mount adapter plate with a minimum of 1/2" clearance between the adapter plate and boat. **Fig. 2**

**STEP 2** If you are unable to locate the pre-drilled holes, use the Drill Measurement Guide for BMS at the back of this booklet. Check inside of jack plate where the hole is to be drilled for any obstruction and for clearance issues of hardware to be installed.

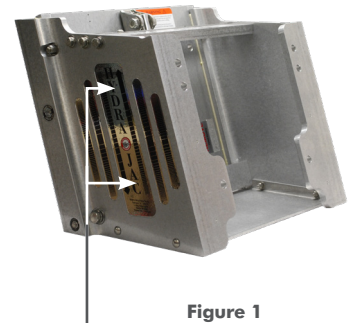
**STEP 3** Drill a 1/2" hole into each of the determined hole locations.

**STEP 4** Install the bolts and hardware as illustrated in **Fig. 2** Section 2.1 with spacer or **Fig. 2** Section 2.2 without spacer for adapter plate with brace installation.

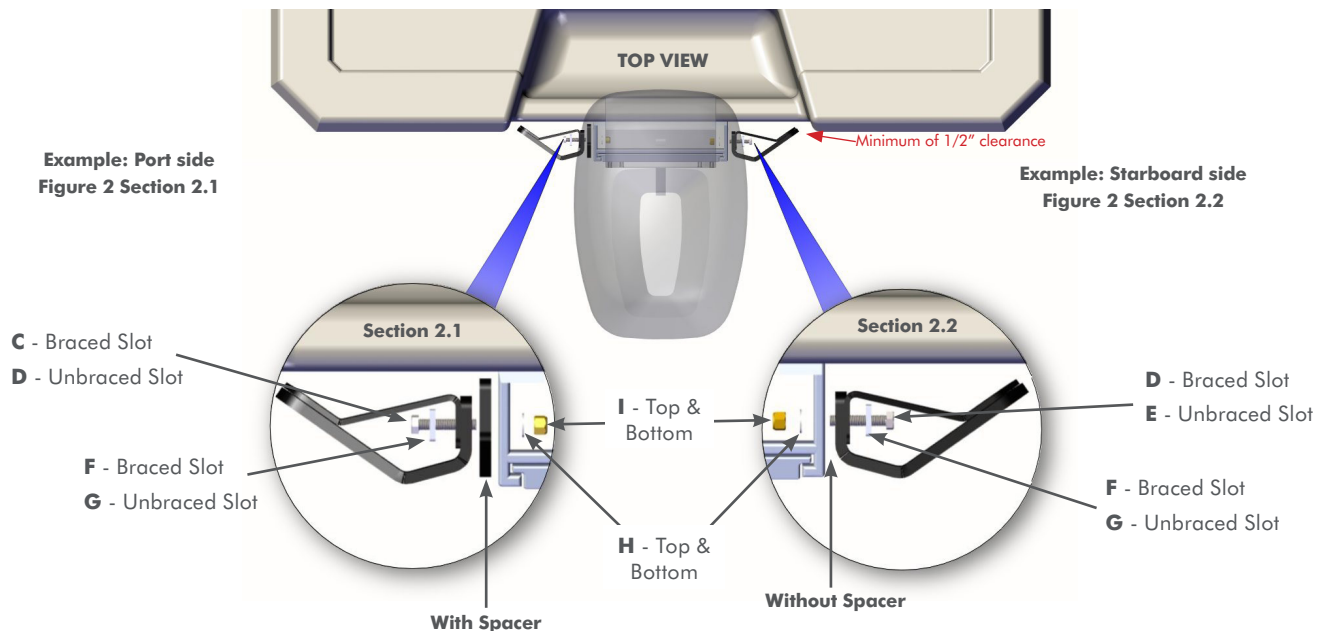
**NOTE:** The side mount adapter plate has slotted holes for height adjustment.

**STEP 5** Finish by tightening to 960 inch pounds / 80 foot pounds of torque.

**STEP 6** Mount the Power-Pole anchor to the adapter plate by following the mounting instructions in the adapter plate hardware kit.



**Figure 1**  
**NOTE:** The Spacer plate will span the recessed area of the jack plate



Hardware missing? Need help? Contact our Technical Support Team at **1 + 813.689.9932 Option 2**

# T-H Marine Z-Lock™ Manual Jack Plate

## INSTALLATION

**CAUTION:** For dual installation, completely install each adapter plate one side at a time.

**STEP 1** Properly support your outboard motor according to the guidelines in your outboard engine's owners manual.

**NOTE:** Mount adapter plate with a minimum of 1/2" outer edge clearance between the adapter plate and boat. **Fig. 2**

**STEP 2** Remove lock nuts on the inside of the jack plate prior to removing bolts.

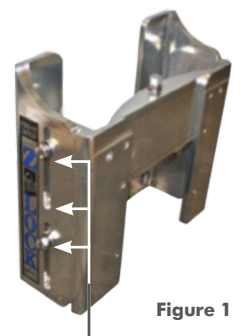
**STEP 3** Remove the two or three bolts on the outside of the Z-Lock jack plate where the side mount adapter plate will be mounted. **Fig. 1**

**NOTE:** The Z-Lock has two bolts in the top mounting slot. Both bolts need to be installed through the adapter plate.

**STEP 4** Install the bolts and hardware as illustrated in **Fig. 2** Section 2.1 for bottom braced adapter plate or **Fig. 2** Section 2.2 for top braced adapter plate installation.

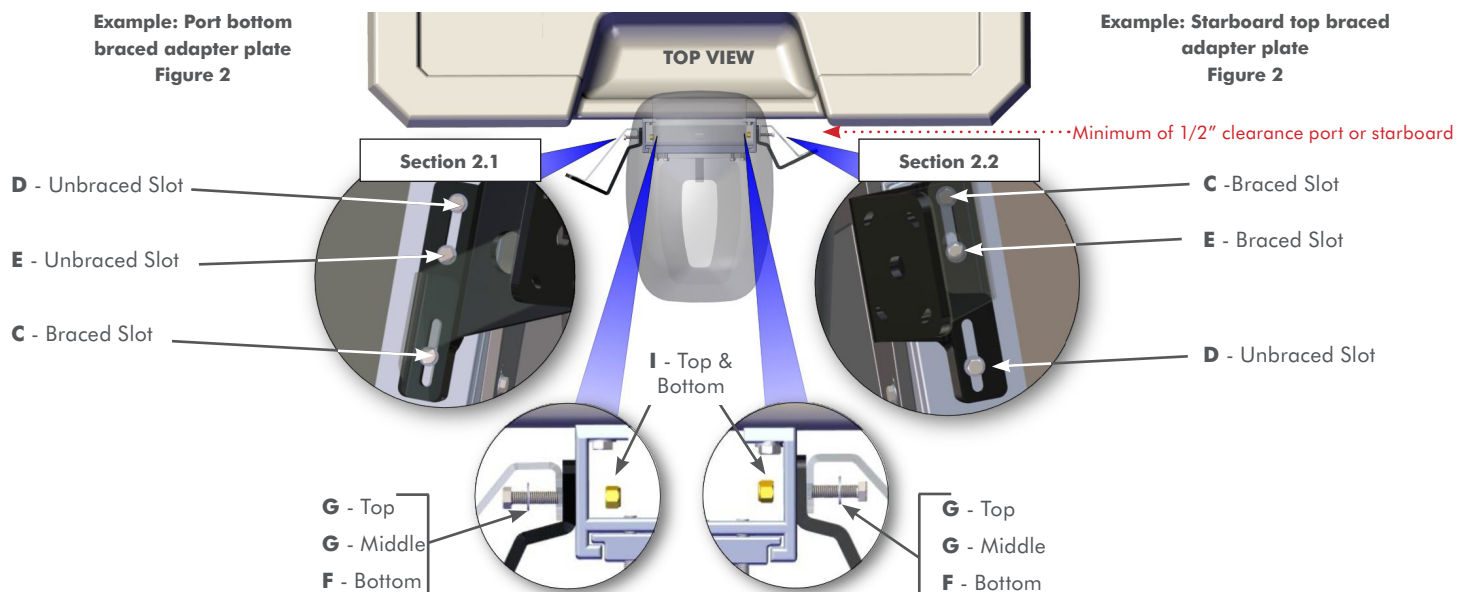
**NOTE:** The side mount adapter plate has slotted holes for height adjustment.

**STEP 5** Mount the Power-Pole anchor to the adapter plate by following the mounting instructions in the adapter plate hardware kit.



**Figure 1**

Z-Lock jack plate factory bolts



Hardware missing? Need help? Contact our Technical Support Team at **1 + 813.689.9932 Option 2**



# T-H Marine Pro Hi-Jacker™ Manual HP

## INSTALLATION

**CAUTION:** For dual installation, completely install each adapter plate one side at a time.

**STEP 1** Properly support your outboard motor according to the guidelines in your owner's manual.

**NOTE:** Mount adapter plate with a minimum of 1/2" outer edge clearance between the adapter plate and boat. **Fig. 2**

**STEP 2** Remove the middle and bottom bolts on the outside of the jack plate where the side mount adapter plate will be mounted. **Fig. 1**

**STEP 3** Install the bolts and hardware as illustrated in **Fig. 2** Section 2.1 for bottom braced adapter plate or **Fig. 2** Section 2.2 for top braced adapter plate instructions.

**NOTE:** The side mount adapter plate has slotted holes for height adjustment.

**STEP 4** Finish by tightening to 960 inch pounds / 80 foot pounds of torque.

**STEP 5** Mount the Power-Pole anchor to the adapter plate by following the mounting instructions in the adapter plate hardware kit.

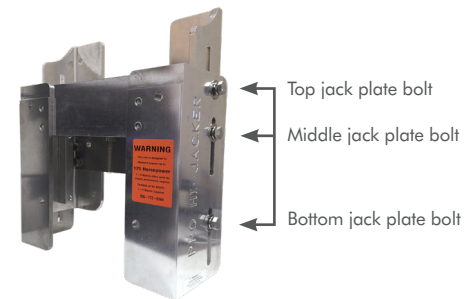
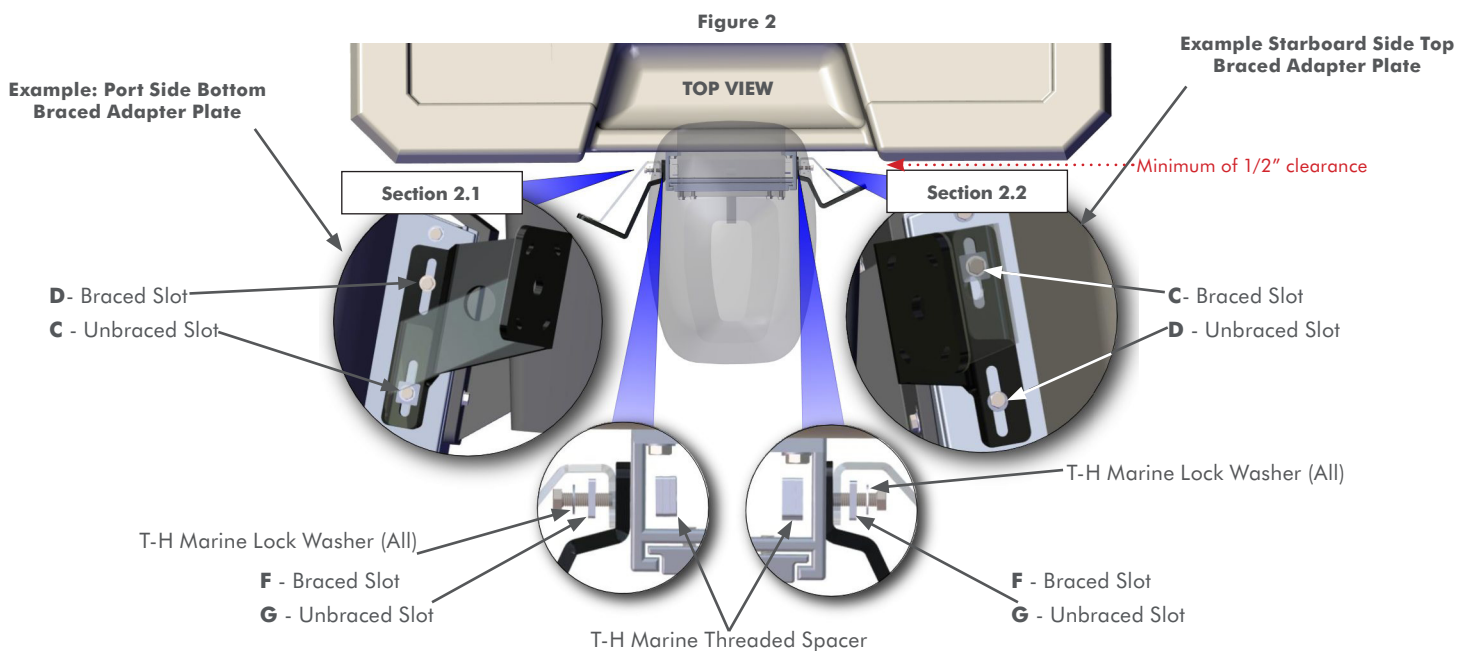


Figure 1



Hardware missing? Need help? Contact our Technical Support Team at **1 + 813.689.9932 Option 2**



# SeaStar 6" (3rd Generation)

## INSTALLATION

**Important:** Accessory Adapter Kit is required to mount a side mount adapter plate to a SeaStar 6" jack plate. To order, call JL Marine Systems, Inc. at 813-689-9932 Opt. 2.

**STEP 1** Locate the two pre-drilled 1/2" holes on the outside of the jack plate. **Fig. 1**

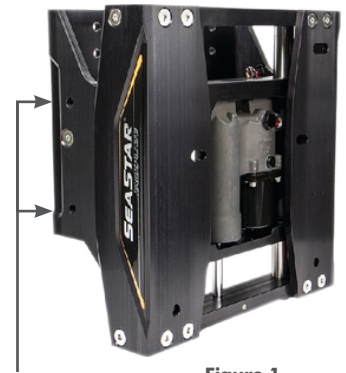
**NOTE:** Mount adapter plate with a minimum of 1/2" outer edge clearance between the adapter plate and boat. **Fig. 2**

**STEP 2** Install the bolts and hardware as illustrated in **Fig. 2** for adapter plate with brace installation.

**NOTE:** The side mount adapter plate has slotted holes for height adjustment.

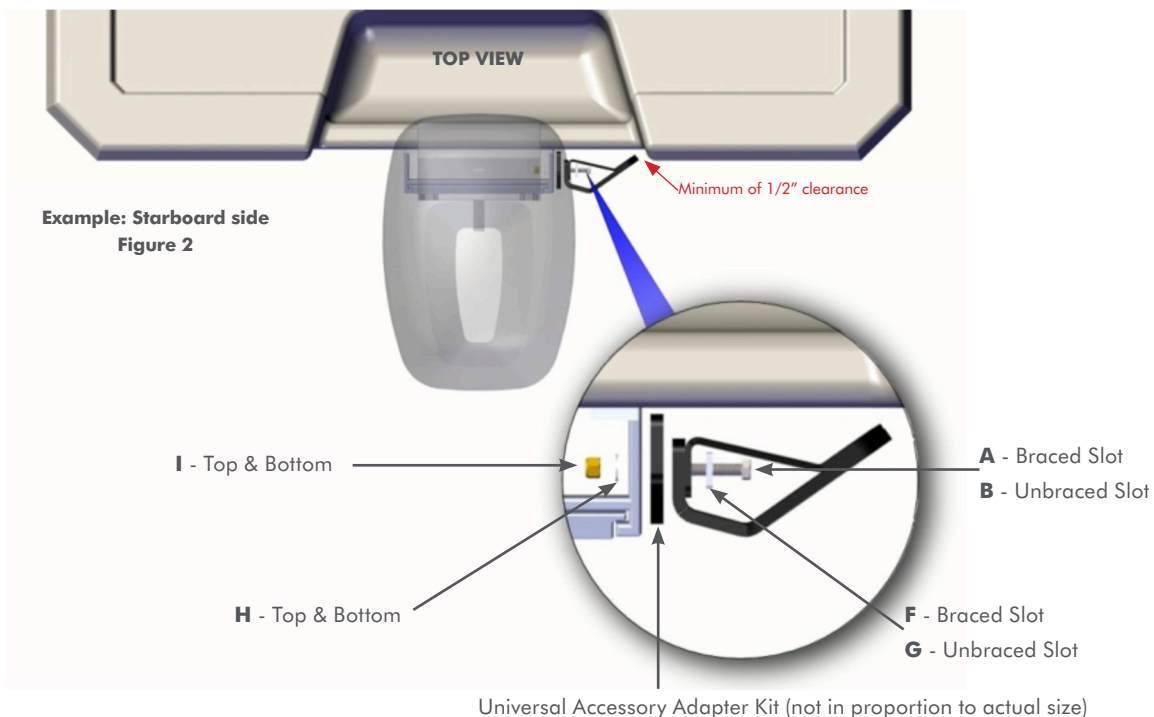
**STEP 3** Finish by tightening to 960 inch pounds / 80 foot pounds of torque.

**STEP 4** Mount the Power-Pole anchor to the adapter plate by following the mounting instructions in the adapter plate hardware kit.



SeaStar jack plate holes for Accessory Adapter Kit

Figure 1



Hardware missing? Need help? Contact our Technical Support Team at **1 + 813.689.9932 Option 2**

# SeaStar 8", 10", & 12" (3rd Generation)

## INSTALLATION

**IMPORTANT:** 10" Models may require additional SeaStar spacer kit. To order, call JL Marine Systems, Inc. at 813-689-9932 Opt. 2.

**STEP 1** Determine if mounting to the spacer or jack plate depending on clearance requirement.

**STEP 2** Locate the two pre-drilled 1/2" holes on the outside of the jack plate or spacer.  
**Fig. 1**

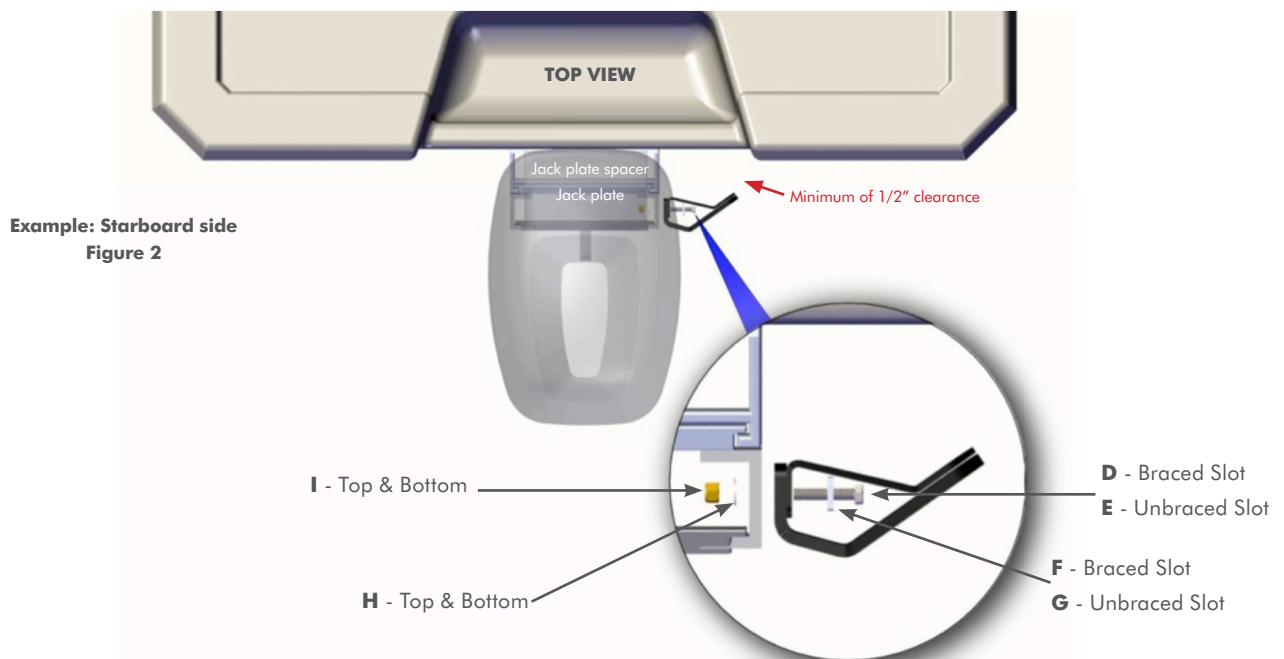
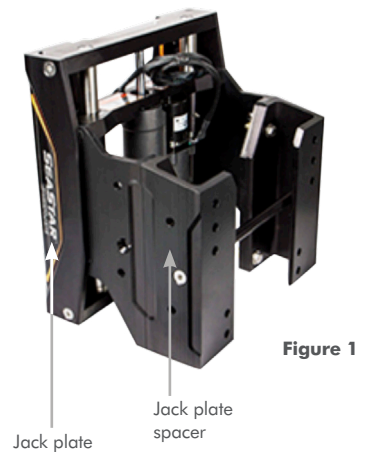
**NOTE:** Mount adapter plate with a minimum of 1/2" outer edge clearance between the adapter plate and boat. **Fig. 2**

**STEP 3** Install the bolts and hardware as illustrated in **Fig. 2** for adapter plate with brace installation.

**NOTE:** The side mount adapter plate has slotted holes for height adjustment.

**STEP 4** Finish by tightening to 960 inch pounds / 80 foot pounds of torque.

**STEP 5** Mount the Power-Pole anchor to the adapter plate by following the mounting instructions in the adapter plate hardware kit.



Hardware missing? Need help? Contact our Technical Support Team at **1 + 813.689.9932 Option 2**

# Motor to Side (M to S) Mount (Bracket or Plate)

**NOTE:** When not using a jack plate, an M to S adapter bracket/plate is required for all side mount adapter plates. To order, all JL Marine Systems, Inc. at 813-689-9932 Opt. 2.

## INSTALLATION

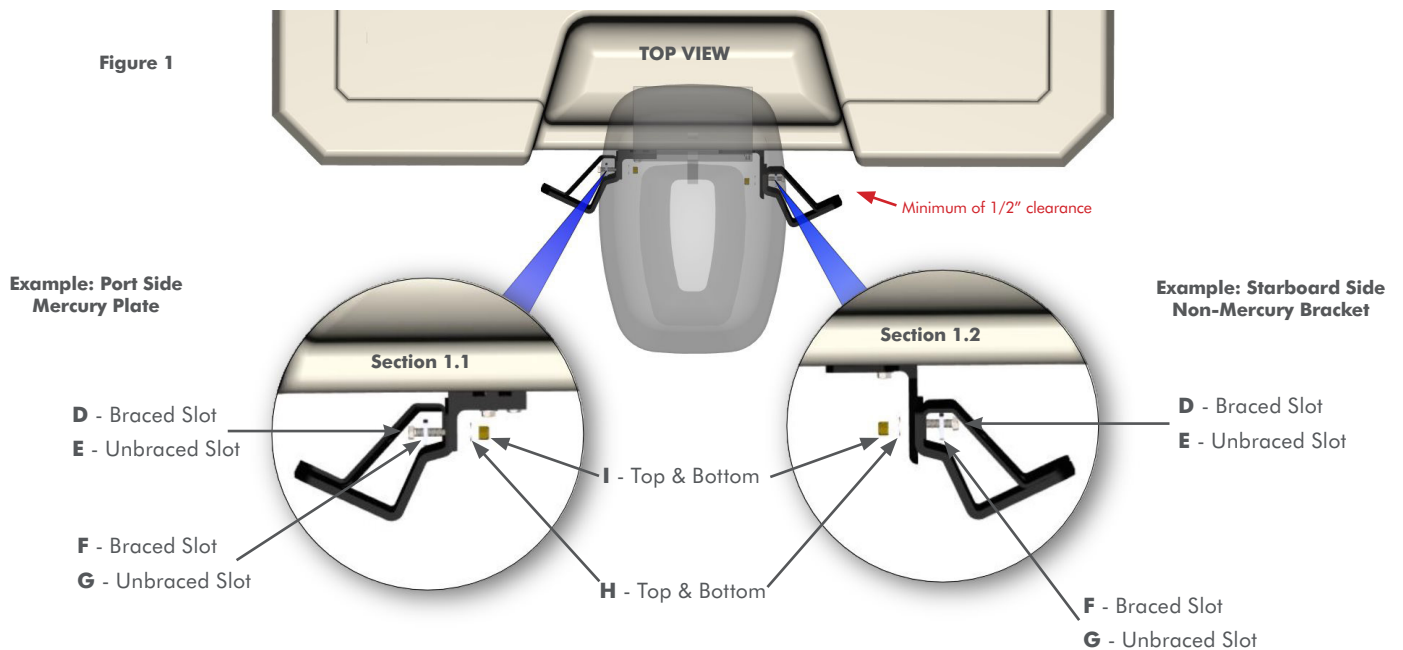
**STEP 1** Follow the M to S adapter bracket/plate mounting instructions.

**STEP 2** Install the bolts and hardware as illustrated in **Fig. 1** Section 1.1 for M to S plate (Item Code **PK-MtoS-plt**) or **Fig. 1** Section 1.2 for M to S bracket (Item Code **PK-MtoS-bkt**) for side mount adapter plate with brace installation.

**NOTE:** The side mount adapter plate has slotted holes for height adjustment.

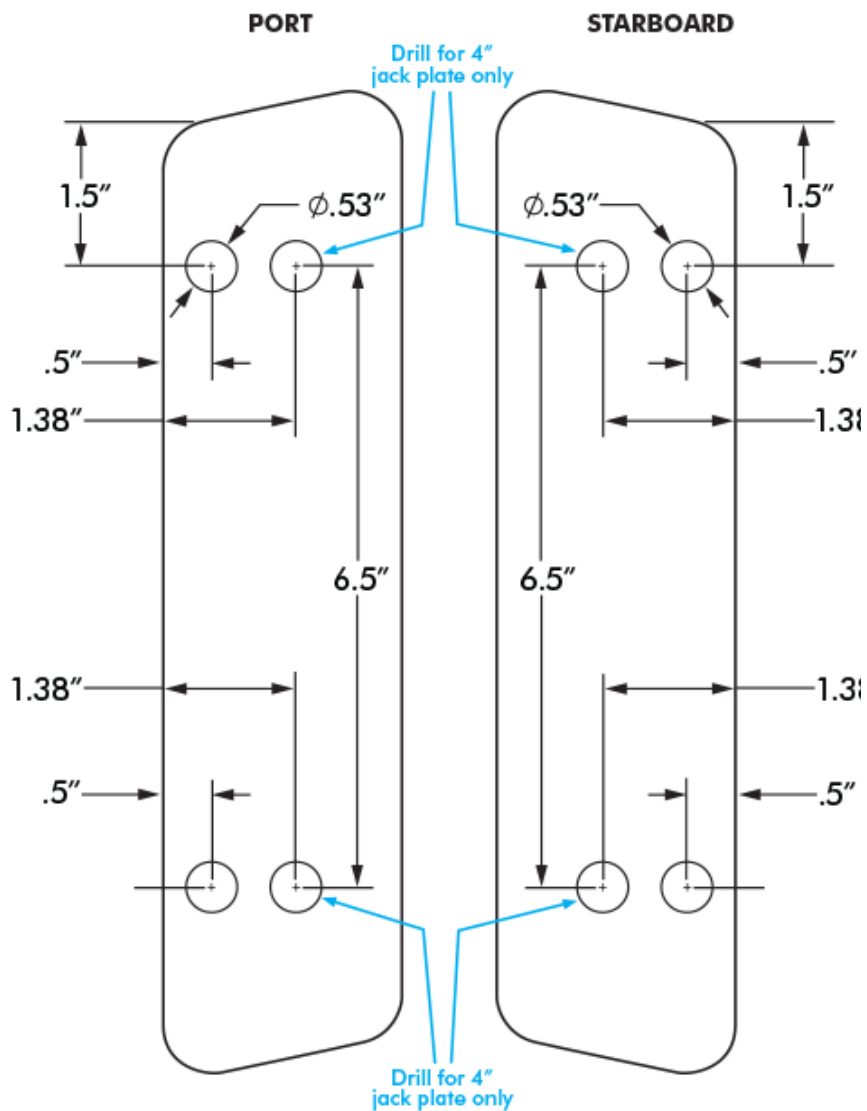
**STEP 3** Finish by tightening to 960 inch pounds / 80 foot pounds of torque.

**STEP 4** Mount the Power-Pole anchor to the adapter plate by following the mounting instructions in the adapter plate hardware kit.



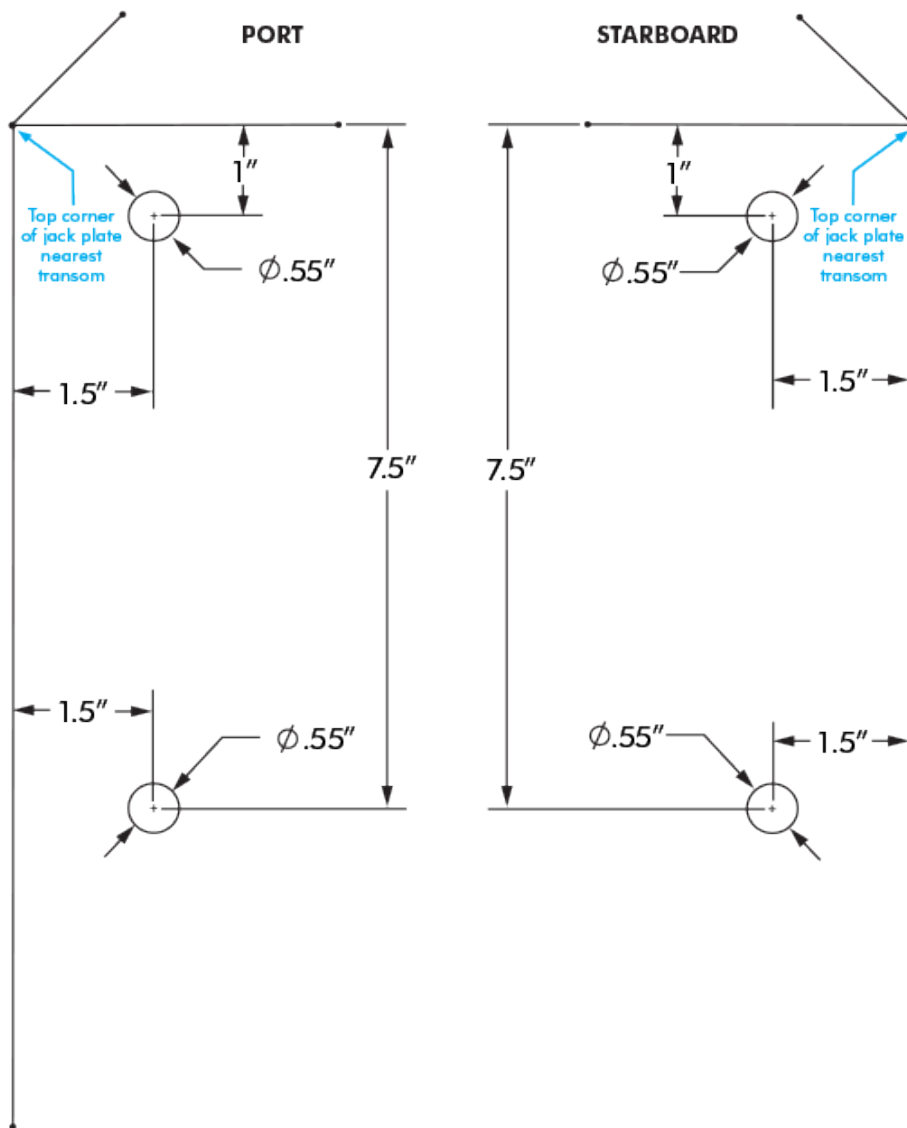
# Drilling Measurement Guide (Bob's Machine Shop)

Bob's Machine Shop side mount drilling measurement guide  
**NOT ACTUAL SIZE. FOR MEASUREMENT PURPOSES ONLY.**



# Drilling Measurement Guide (Atlas Jack Plate)

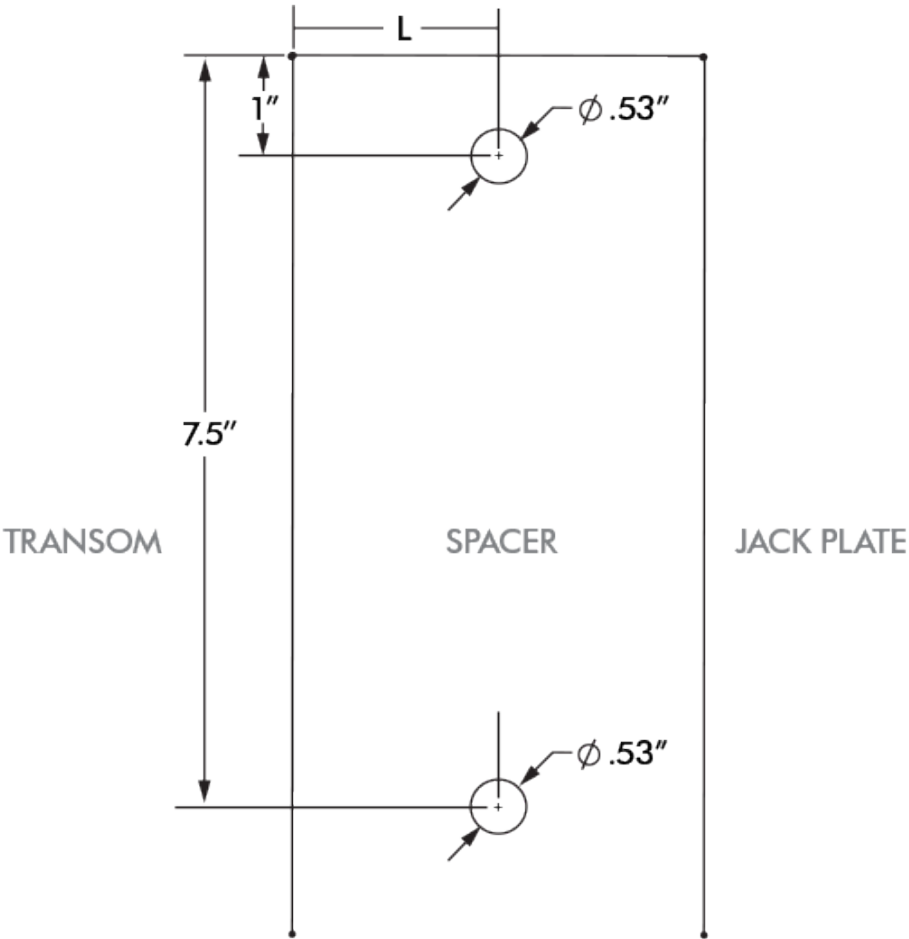
Atlas jack plate drilling measurement guide  
**NOT ACTUAL SIZE. FOR MEASUREMENT PURPOSES ONLY.**



Hardware missing? Need help? Contact our Technical Support Team at **1 + 813.689.9932 Option 2**

# Drilling Measurement Guide (Atlas Spacer Plate)

Atlas spacer plate drilling measurement guide  
**NOT ACTUAL SIZE. FOR MEASUREMENT PURPOSES ONLY.**



For a 6 inch spacer	L = 3"
For a 4 inch spacer	L = 2"

Hardware missing? Need help? Contact our Technical Support Team at **1 + 813.689.9932 Option 2**



**CAUTION:**

Do not use the Power-Pole shallow water anchor as your primary anchorage.  
Never leave your boat unattended while anchored solely with the Power-Pole shallow water anchor.

US Pat No. 6,041,730

Need help? Contact our Technical Support Team at

**1 + 813.689.9932 Option 2**



9010 Palm River Road, Tampa, Florida 33619

Phone 813-689-9932 Fax 813-689-8883

[www.power-pole.com](http://www.power-pole.com)