

STARLINK | PERFORMANCE SPECIFICATIONS

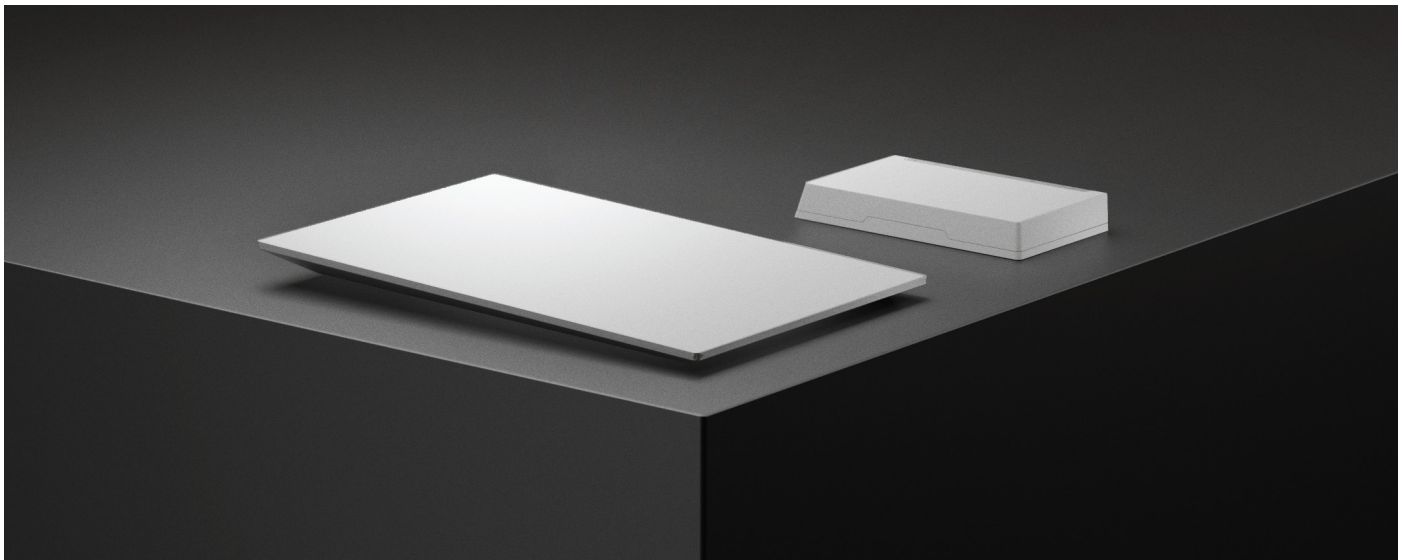


Available to purchase after receiving your order confirmation email.

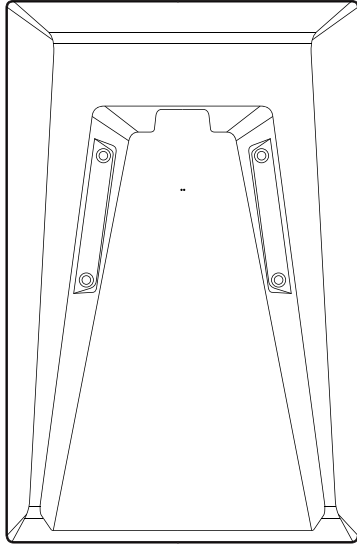
STARLINK PERFORMANCE HIGHLIGHTS

Designed for resilient connectivity in remote areas and harsh environments, including extreme weather, high-vibration settings, and in-motion usage.

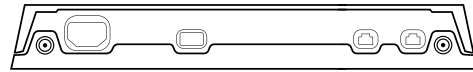
- The Starlink Performance Kit is currently capable of download speeds up to 400+ Mbps for fast, reliable connectivity whenever you need it. Starlink is focused on making network enhancements which will enable gigabit speeds starting in the most remote places on Earth with the Performance Kit. Service plan upgrades will be available in 2026. No hardware changes needed.
- Capable of enduring winds up to 270+ kph (170+ mph) and temperatures from -40°C to 60°C (-40°F to 140°F).
- Enhanced snow melting capacity, featuring an IP68 (unplugged) - IP69K (plugged) waterproof rating. Suitable for 1 meter of water submersion for up to 30 minutes and pressure washing.
- The Advanced Power Supply included with the Starlink Performance Kit is rack-mountable, operates on both AC and DC power, and supports DC input with a backup battery for uninterrupted operation. It features smart diagnostics, a high-power PoE port, and a LAN port, offering real-time monitoring, seamless connectivity, and reliable performance for demanding network and industrial applications.
- Designed for 10-year mission life. See Durability Guide for more details.



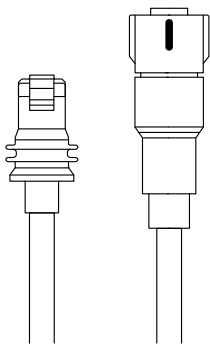
What's In The Box



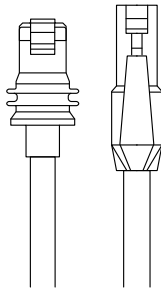
Starlink Performance Dish



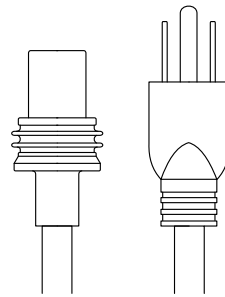
Advanced Power Supply



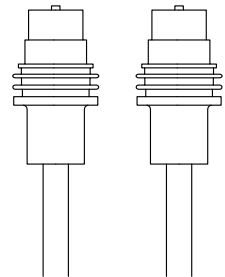
Starlink Performance Cable
25 m
(82 ft)



Starlink Ethernet Cable
5 m
(16.4 ft)



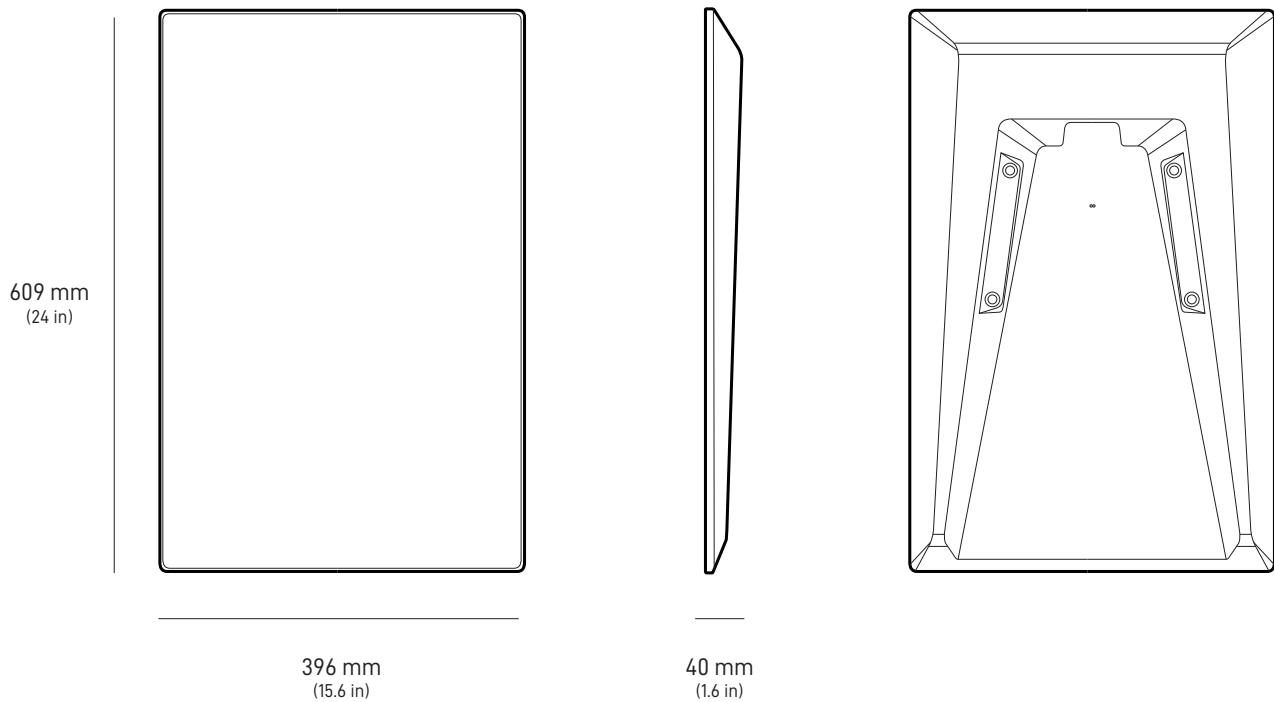
Starlink AC Power Cable
1.5 m
(4.9 ft)



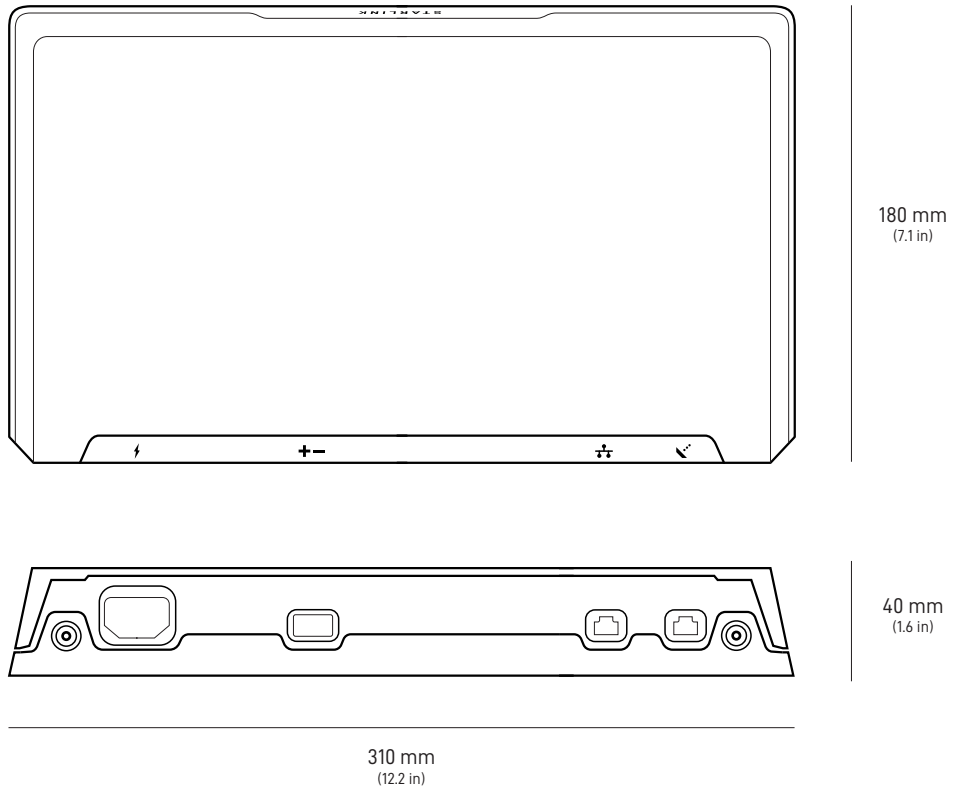
Starlink DC Power Cable
1.5 m
(4.9 ft)

Package Weight: 11.8 kg (26 lbs)

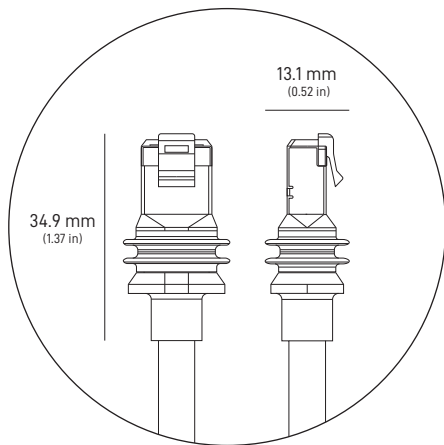
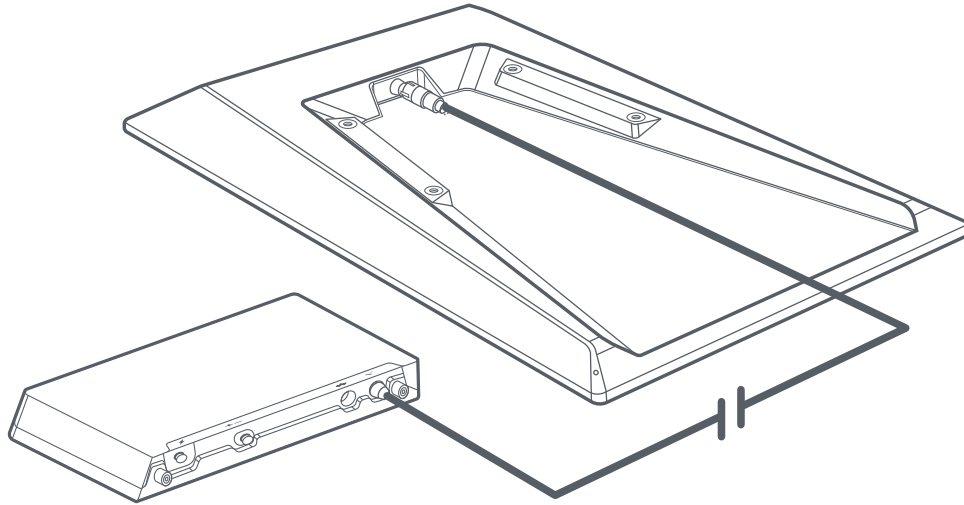
Package Dimensions: 686 x 454 x 121 mm (27.0 x 17.9 x 4.8 in)



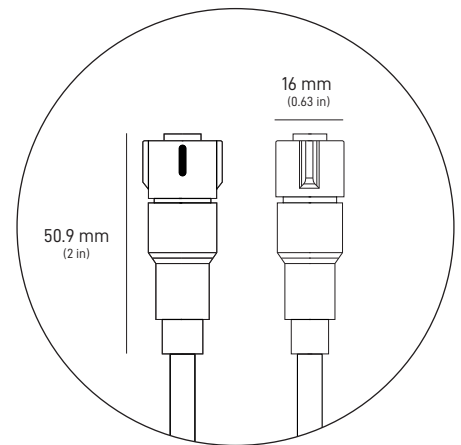
Antenna	Electronic Phased Array
Field of View	110°
Orientation	Software Assisted Manual Orienting
Weight	5.2 kg (11.5 lb)
Environmental Rating	IP69K (with cables installed) IP68 (no cables installed)
Operating Temperature	-40°C to 60°C (-40°F to 140°F)
Wind Speed	Survivable: 280 kph+ (174 mph+)
Snow Melt Capability	Up to 85mm / hour (3.5 in / hour)
Power Consumption	Average: 75 - 100 W
Router Compatibility	Starlink Gen3 Router Starlink Mini Mesh Router 3rd Party Routers

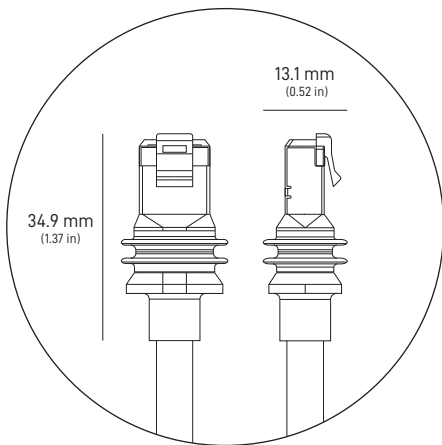
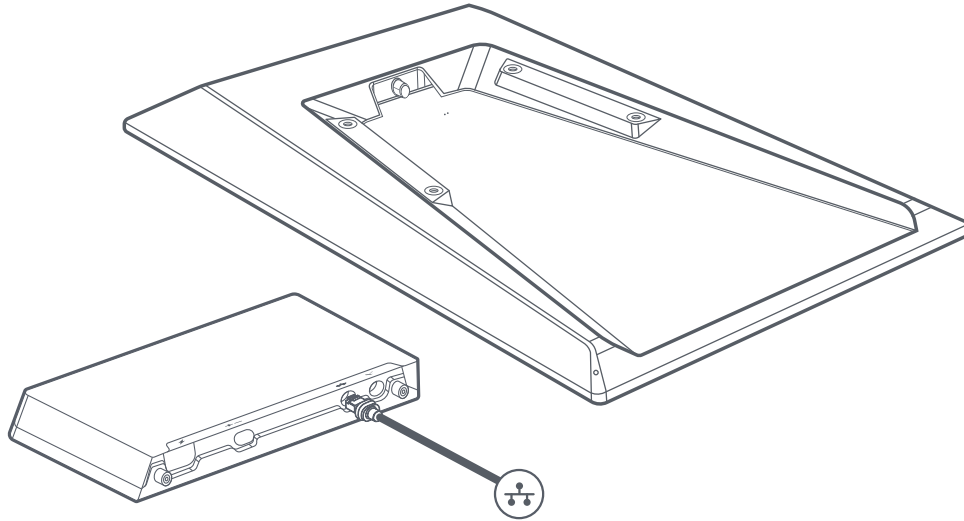


Product Dimensions	310 mm x 180 mm x 40 mm (12.2 in x 7.1 in x 1.6in)
Weight	2.1 kg (4.6 lbs)
Environmental Rating	IP68 (with cables installed or plugged)
Operating Temperature	-40°C to 60°C (-40°F to 140°F)
Power Specifications	100-240VAC, 12V-56VDC

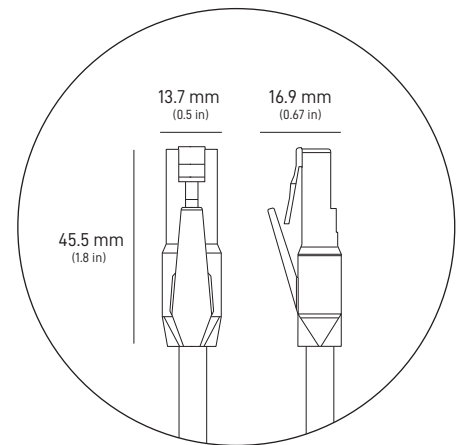


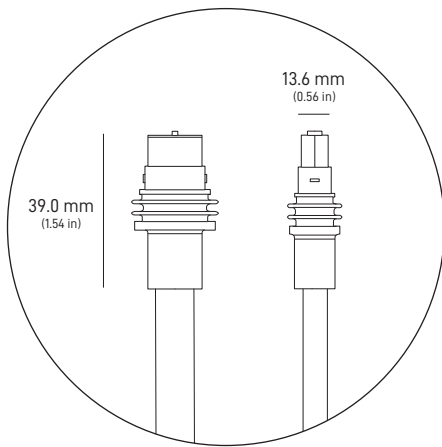
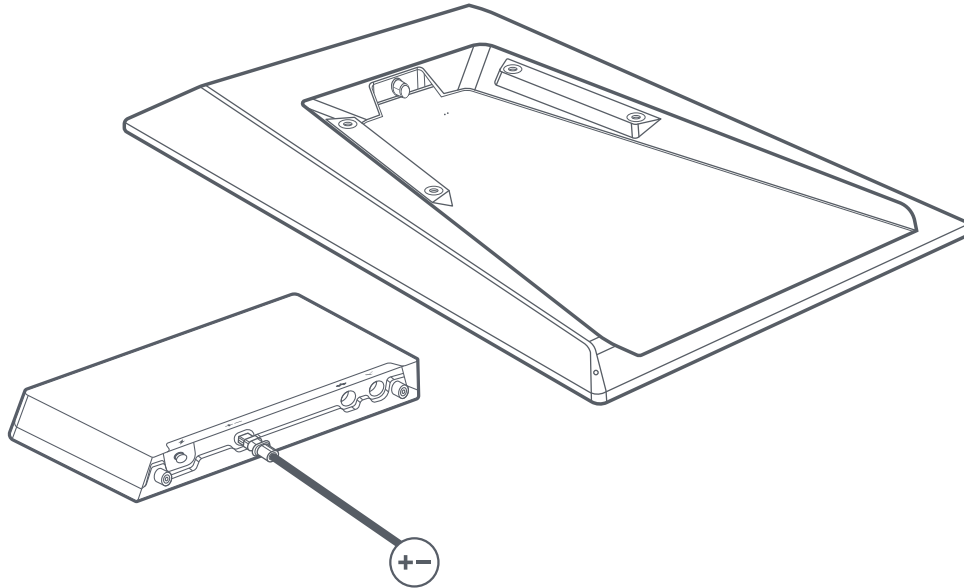
Pin 1	Wire Color	Pin 2
Shield	Drain - Bare Wire	Shield
8	Brown	6
7	White / Brown	5
6	Green	4
5	White / Blue	7
4	Blue	8
3	White / Green	3
2	Orange	2
1	White / Orange	1





Wire Color	Pin 1
Drain - Bare Wire	Shield
Brown	8
White / Brown	7
Green	6
White / Blue	5
Blue	4
White / Green	3
Orange	2
White / Orange	1

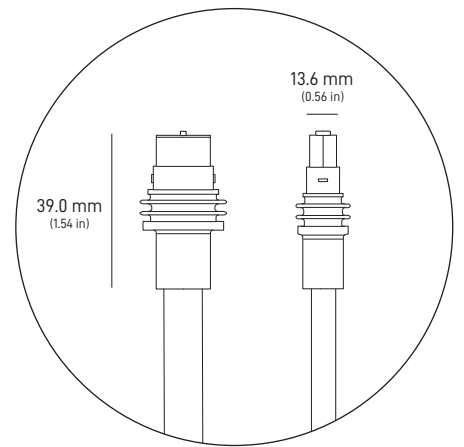


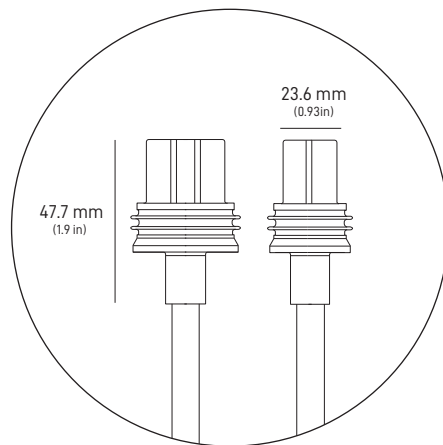
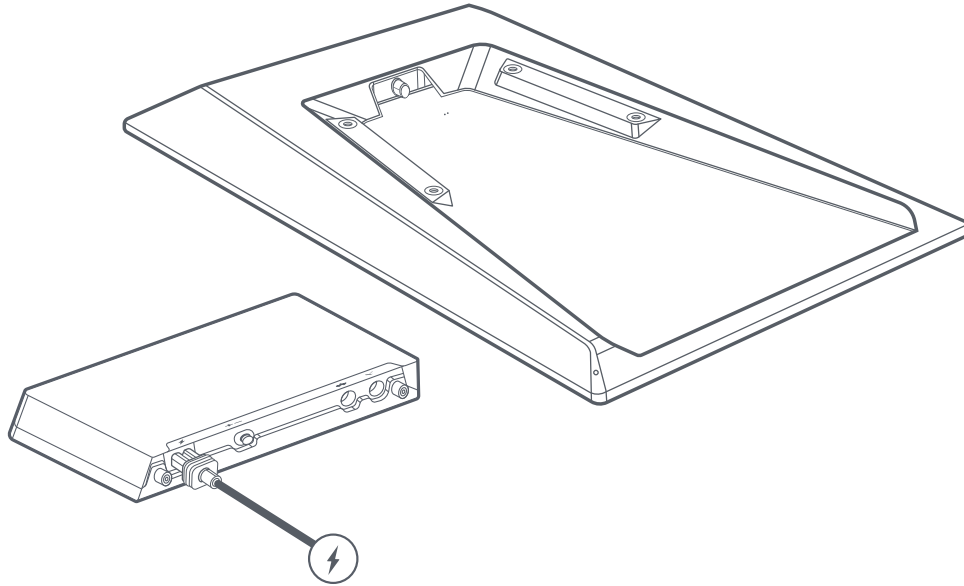


Pin 1
Positive
Negative

Wire Color
Red
Black

Pin 2
Positive
Negative





Pin 1	Wire Color	Pin 2
Ground	Green	Ground
Neutral	White	Neutral
Hot	Black	Hot