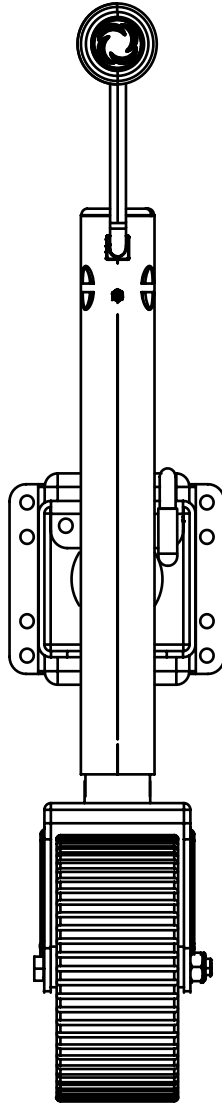
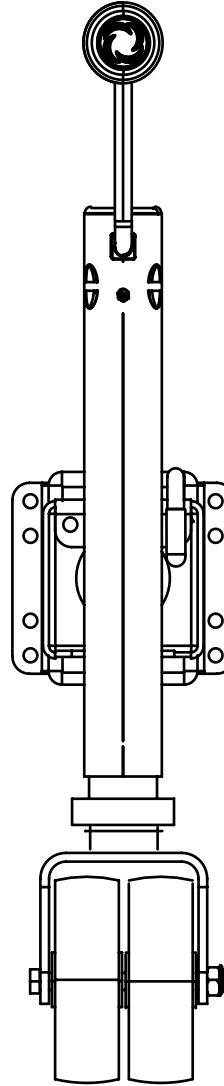


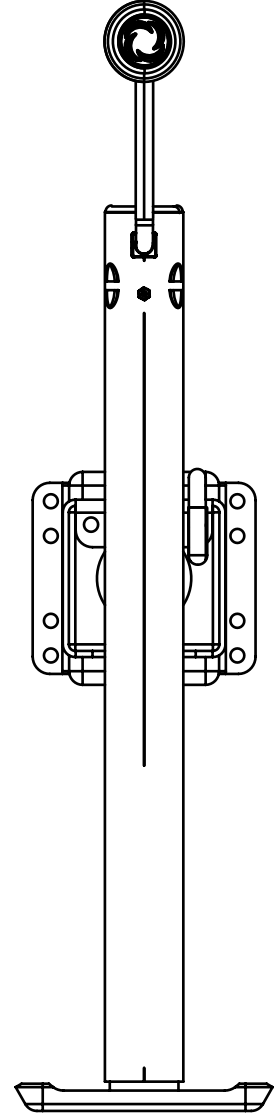
Single Wheel



Wide Single Wheel



Dual Wheel



Flat Plate



Thoroughly read manual furnished with this product and be familiar with controls. Do not allow individuals to operate winch without understanding safe operation and procedures for equipment.

# PROPRIETARY STATEMENT

The Powerwinch Select Series Trailer Jack is a product of Marmon Power Systems, located in Fairview, Tennessee, USA. The information contained or disclosed in this document is considered proprietary to Marmon Power Systems. Every effort has been made to ensure that the information presented in this document is accurate and complete. Marmon Power Systems assumes no liability for errors or any damages resulting from the use of this document.

The information contained in this manual pertains to the current configuration of the models listed on the title page. Earlier model configurations may differ from the information given. Marmon Power Systems reserves the right to cancel, change, alter or add any parts and assemblies, described in this manual, without prior notice.

Marmon Power Systems agrees to allow the reproduction of this document for use with Marmon Power Systems products only. Any other reproduction or translation of this document in whole or part is strictly prohibited without prior written approval from Marmon Power Systems.

# TABLE OF CONTENTS

SAFETY INFORMATION.....	iii
SPECIFICATIONS.....	iv
INSTALLATION.....	1
MOUNTING UNIT.....	1
OPERATION.....	2
ROUTINE MAINTENANCE.....	3
WARRANTY.....	4

## SAFETY INFORMATION

The following Safety Precautions **MUST** be followed at **ALL** Times. Failure to follow the warnings and cautions in this manual could result in serious injury and/or property damage.

**⚠ WARNING** This product can expose you to chemicals including chromium which is known to the state of California to cause cancer or birth defects or other reproductive harm. For more information visit [www.P65warnings.ca.gov](http://www.P65warnings.ca.gov).

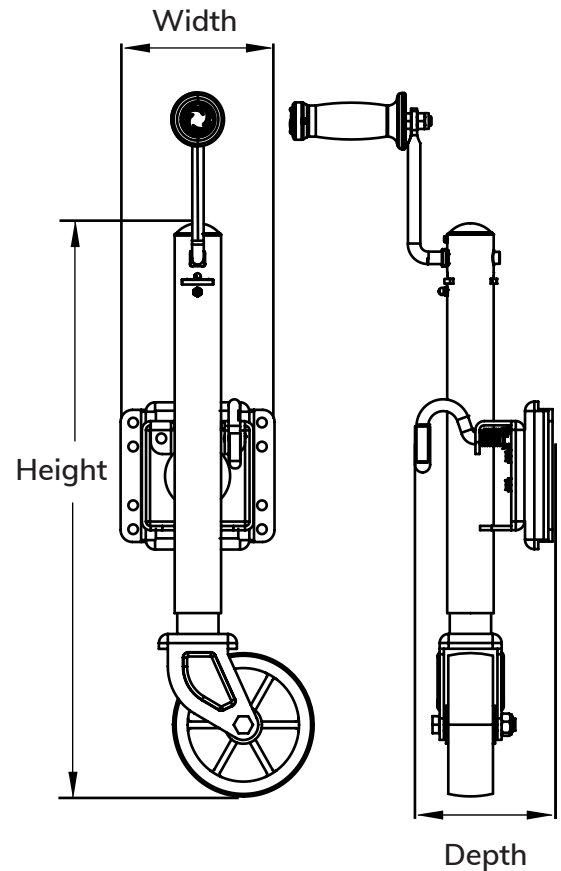
- ⚠ CAUTION** ALWAYS install this product according to the provided instructions and NEVER alter or modify it in any way.
- ⚠ CAUTION** NEVER allow children to play on or around this product or the supported load.
- ⚠ CAUTION** NEVER exceed the rated capacity of the jack, footplate, or caster wheel—whichever is lowest.
- ⚠ CAUTION** NEVER position any part of your body under this product or the load it supports.
- ⚠ CAUTION** ALWAYS block the wheels of the vehicle, trailer, and load to prevent rolling when operating the jack or coupling the trailer.
- ⚠ CAUTION** ALWAYS replace bent, broken, or worn parts before using this product.
- ⚠ CAUTION** NEVER apply excessive side loads—these jacks are designed for vertical loading only.
- ⚠ CAUTION** ALWAYS fully retract and rotate the jack before towing.
- ⚠ CAUTION** NEVER use this product to transport the trailer or equipment it's attached to, and ALWAYS minimize movement of the trailer or equipment while the jack is under load.
- ⚠ CAUTION** ALWAYS crank the jack to its lowest position before manually moving the trailer.
- ⚠ CAUTION** NEVER mount jacks to round tongues.
- ⚠ CAUTION** ALWAYS have welding performed by an AWS-certified welder.
- ⚠ CAUTION** ALWAYS ensure the supplied pin is fully inserted through both sides of the inner tube and the drop tube before using the jack with a drop foot or drop leg.
- ⚠ CAUTION** ALWAYS secure the load, vehicle, and trailer from rolling by blocking wheels when operating the jack or coupling the trailer.
- ⚠ CAUTION** NEVER attempt to adjust the drop foot or drop leg while any load is on the jack.

# SPECIFICATIONS

Model Type	Part Number	Capacity	Crank Arm Length	Lift Range	Mount Type	Wheel or Plate Type
Select Series 1000	21400-J-1000-B1-Z-R	1000 lb	6"	10"	Bolt or Weld	Single Wheel
Select Series 1200	21400-J-1200-B1-Z-R	1200 lb	6"	10"	Bolt or Weld	Single Wheel
Select Series 1500	21400-J-1500-B1-Z-R	1500 lb	6"	10"	Bolt or Weld	Single Wheel
Select Series 1500	21400-J-1500-B1W-Z-R	1500 lb	6"	10"	Bolt or Weld	Wide Wheel
Select Series 1500	21400-J-1500-B2-Z-R	1500 lb	6"	10"	Bolt or Weld	Dual Wheel
Select Series 2500	21400-J-2500-BF-Z-R	2500 lb	6"	15"	Bolt or Weld	Flat Plate

## JACK DIMENSIONS

Capacity (lb) Type	1000 Single	1200 Single	1500 Single	1500 Wide	1500 Dual	2500 Plate
Depth (in)	7.5	7.5	7.5	7.5	7.5	7.6
Width (in)	5.7	5.7	5.7	5.7	5.7	6
Retracted Height (in)	8.5	8.5	8.5	8.5	8.5	10.1
Extended Height (in)	10	10	10	10	10	15
Weight (lb)	10	10	10	10	10	11.5
Wheel Dimension	6"	6"	8"	8"	6"	--
Plate Dimension	--	--	--	--	--	7.5" x 4"



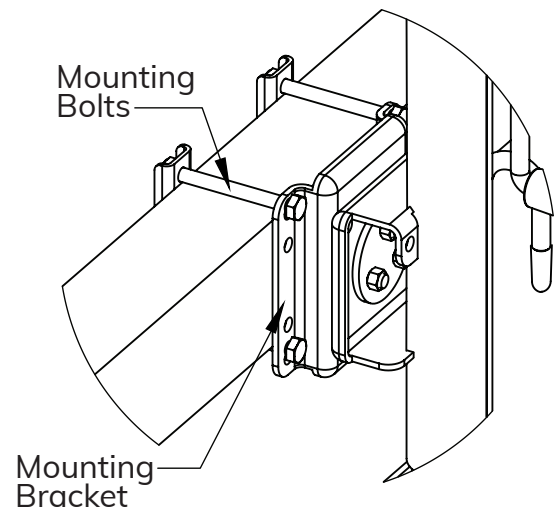
## INSTALLATION

### MOUNTING UNIT

Before mounting the jack, make sure there is enough space around the jack handle, trailer light cables, and coupler for proper install. After installation, inspect again to confirm there is no interference.

#### Bolt-On Mount Installation

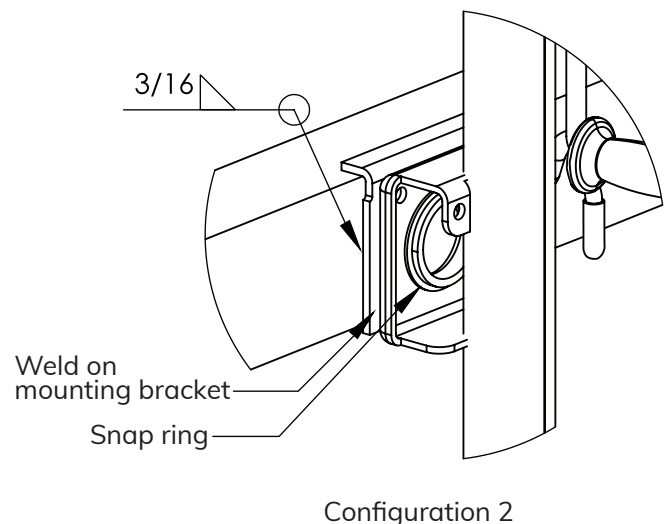
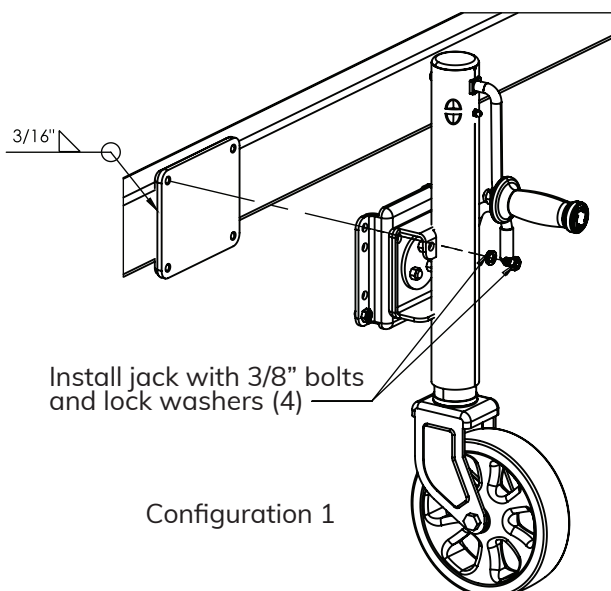
1. Align jack to trailer frame to ensure there are no interferences with desired jack position. Cycle crank arm to ensure there are no interferences above jack position.
2. Bolt jack to trailer tubing by putting jack on outside of tubing and U-channel brackets on inside of tubing.
3. Ensure bolts cross above and below trailer tubing with tightest possible fit allowable with available hole positions.
  1. Hole positions are in 1 inch increments.
  2. Gap between bolts and trailer tubing not to exceed 1/16 inch.
4. Secure nuts to bolts and torque to 25 ft-lbs.



#### Weld-On Installation

Welding must be performed by an AWS-certified welder.

1. Align weld plate to trailer tubing. Ensure there are no outside interferences around jack position. Cycle crank arm to ensure no interferences above jack position.
2. Remove jack from weld plate.
3. Fixture weld plate such that it cannot move.
4. Weld around full profile of weld plate as shown. Use a 3/16 minimum fillet weld.
5. See configuration 1 and configuration 2 for further description based upon specific jack usage.



OPERATION

- ⚠ WARNING** NEVER use a swivel jack unless the swivel handle is fully engaged. Failure to do so may result in the trailer tongue dropping suddenly, causing serious injury.
- ⚠ WARNING** DO NOT exceed the rated capacity listed on the jack label. Overloading can lead to accelerated wear or failure.
- ⚠ WARNING** This jack is not designed for highway use. NEVER tow the trailer with any load applied to the jack.
- ⚠ WARNING** DO NOT use the jack as a convenient handhold—this may result in personal injury or equipment damage.
- ⚠ WARNING** DO NOT force the handle when the jack reaches the top or bottom of its travel range—this can cause mechanical damage.
- ⚠ WARNING** When moving the trailer by hand, ALWAYS fully retract the jack to its lowest position.
- ⚠ WARNING** ALWAYS Avoid rolling the jack over rough or soft surfaces to prevent premature wear or damage.
- ⚠ WARNING** Before towing, ALWAYS raise the jack completely before towing the trailer.

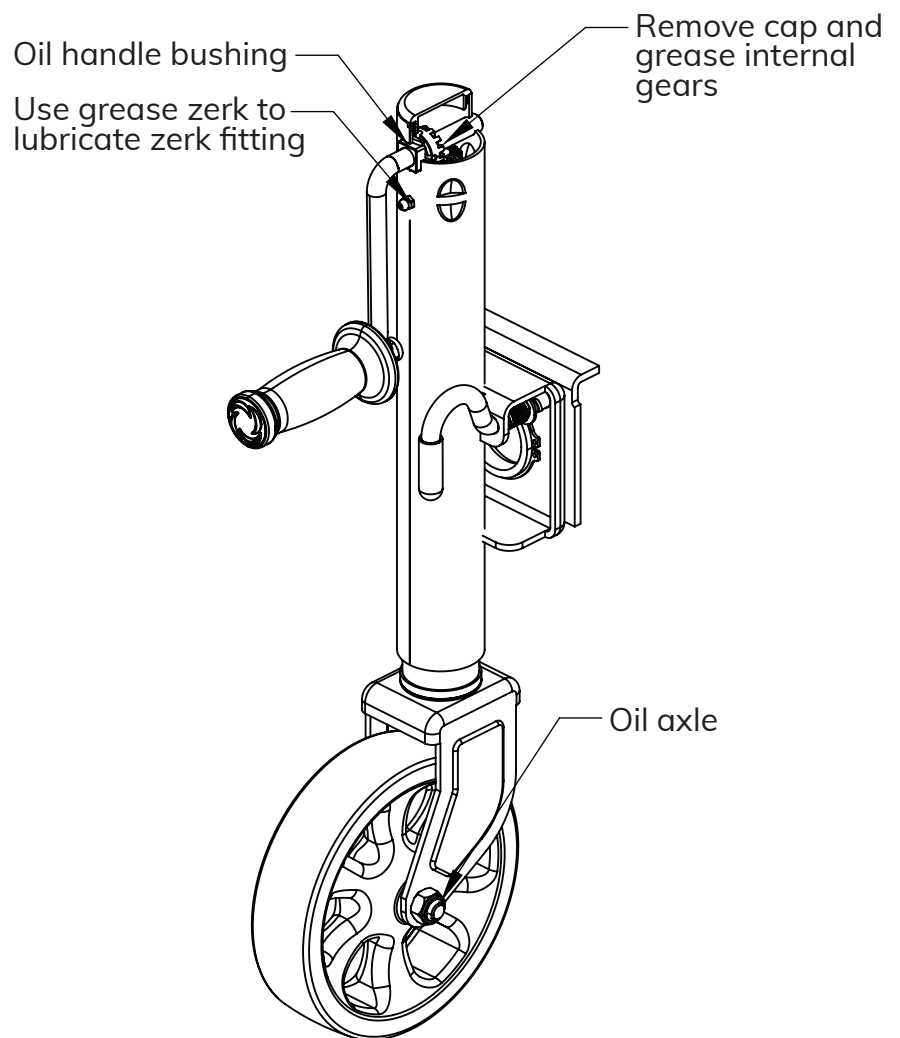
## ROUTINE MAINTENANCE

**Frequency:** Routine maintenance to be on an annual schedule or at a minimum of every 20 uses.

**Fasteners:** Check mounting bolts to ensure proper torques are met (if applicable).

**Lubrication:** Lubricate jack per illustration.

**Cleaning:** Ensure jack is kept free of dirt and debris. If used in saltwater or towed through roadways with salt, thoroughly flush out jack with clean water and lubricate.



## WARRANTY

Marmon Power Systems warrants to the FIRST retail Purchaser that the Powerwinch Product described in this manual is free of defects in material and workmanship within the terms and conditions as set forth below. Marmon Power Systems' obligation under this warranty is limited to the repair or replacement, at Marmon Power Systems' option, of any defective component within the stated warranty period. THIS WARRANTY IS NOT TRANSFERABLE.

### 1. Duration

- a. 5 years on parts.
- b. Marmon Power Systems will pay the transportation charges for return shipment to the purchaser of any product received for legitimate warranty repair.

Warranty duration is not extended by the length of time the product is not in use or the time that the purchaser is deprived the use of the product. The duration of coverage is determined by the date of the original product purchase, not the date of repairs.

### 2. What is Covered Under This Warranty?

Defects in the manufacturer's material and workmanship of product, purchased from an authorized reseller, under normal use, and which occur within the duration of the warranty period.

### 3. What is Not Covered Under This Warranty?

- a. Improper installation and/or any consequent damage or failure that results from improper installation of the product.
- b. Normal wear.
- c. Conditions that are not related to the material or workmanship of the product, including any failure that results from an accident, wind, rain, or other acts of God.
- d. Purchaser's abuse, including but not limited to neglect or failure to operate, use or maintain the product in accordance with the instructions provided with the product.
- e. Any component not sold or manufactured by Marmon Power Systems.
- f. Any failure that results from the use of another manufacturer's product with a Marmon Power Systems product that is not specifically approved by Marmon Power Systems.
- g. Any incidental, indirect, or consequential loss, damage or expense that may result from any defect, failure or malfunction of the product.
- h. The removal or alteration of any product component or device. In the event of such removal or alteration, this warranty is void.
- i. Any expense related to delivery or pick-up of product to/from the service dealer.

### 4. Responsibilities of the Purchaser

IN ORDER FOR THE WARRANTY TO BE HONORED, THE PURCHASER MUST HAVE PROOF OF PURCHASE. FAILURE TO PROVIDE THE REQUIRED DOCUMENTATION MAY DELAY OR VOID ANY WARRANTY CLAIM.

- a. Retain dated proof of purchase for the product and provide it as requested.
- b. Perform "Routine Maintenance" as specified in Owner's Manual.
- c. Use reasonable care in maintenance, operation, use, and storage of the product in accordance with the instructions contained in the owner's manual.

THIS WARRANTY GIVES THE OWNER SPECIFIC LEGAL RIGHTS. THE LAWS OF CERTAIN JURISDICTIONS MAY GRANT THE OWNER ADDITIONAL RIGHTS AND PRIVILEGES. Except as set forth above, Marmon Power Systems makes no warranty, whether statutory or otherwise, including without limitation, any warranty of merchantability or fitness for a particular purpose. Marmon Power Systems shall have no liability except to repair, replace or adjust defective products and parts. Marmon Power Systems specifically excludes any liability, whether in contract, tort or otherwise, for personal injury, property damage, economic or consequential losses. Marmon Power Systems has not authorized any person or company to alter the terms of this warranty.

It is Marmon Power Systems' policy and practice to continuously improve the company's products and services. Therefore, Marmon Power Systems reserves the right to make changes in design and components, without notice, whenever it is believed the quality of the product will be improved, but without incurring any obligation to incorporate such improvements in any product which has been shipped or in service.