

Introduction



This handbook explains how to install, connect, operate and maintain your SeaTalk² Keyboard (E55061). This keyboard is also supplied with the Remote Station Kit (T82005) - details of how to integrate these devices is given on Page 6.

Intended use

This keyboard is intended for use with Raymarine's E-Series display aboard leisure marine boats and workboats not covered by IMO/SOLAS carriage requirements. It can be integrated into an existing SeaTalk² system, if required.

Contents

Subject	Page
Introduction _____	1
The controls _____	2
What's in the box? _____	3
Safety notices _____	3
Planning the installation _____	4
Integrating the Remote Station Kit _____	6
Installation _____	7
Accessories and spares _____	9
Removing/refitting _____	10
Maintenance _____	10
Important information _____	11
Technical support and contact details _____	12

The controls

WPTS MOB

To manage waypoints and initiate MOB.

Power

To turn display off and access backlight functions and scanner controls.

PAGE

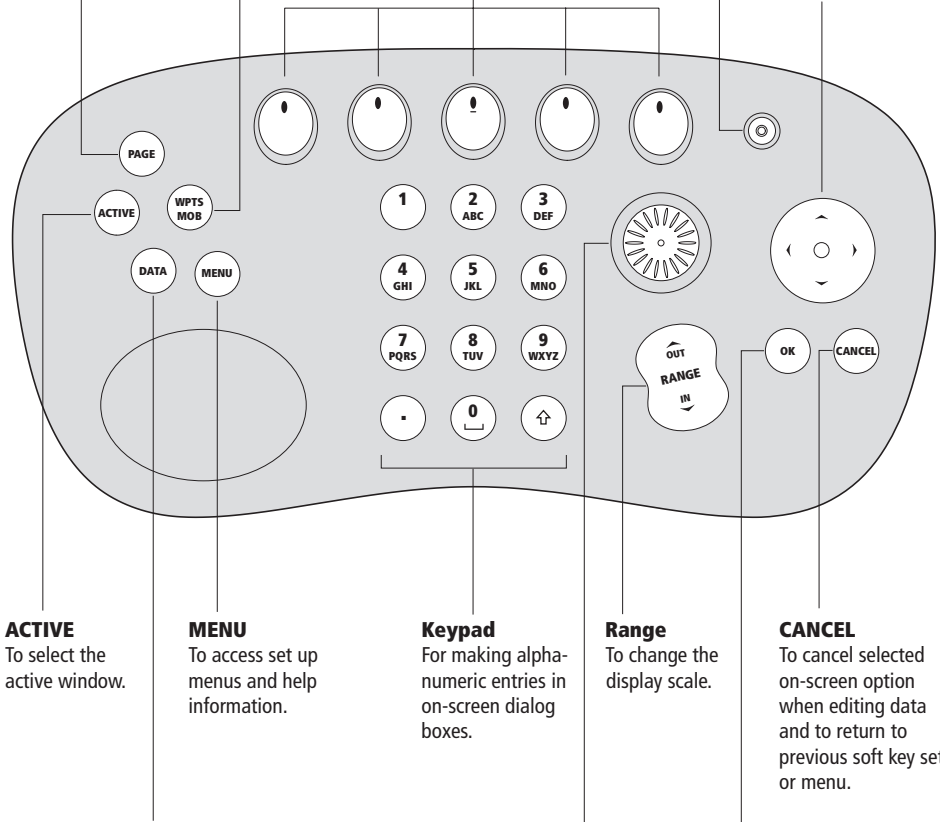
To change page and configure page sets.

Soft keys

Press to select corresponding function identified by on-screen label.

Trackpad

To control on-screen cursor and scroll through menu items.



ACTIVE

To select the active window.

MENU

To access set up menus and help information.

Keypad

For making alphanumeric entries in on-screen dialog boxes.

Range

To change the display scale.

CANCEL

To cancel selected on-screen option when editing data and to return to previous soft key set or menu.

DATA

To access the ruler, chart vectors, archive and transfer, data bar on/off functions etc.

Rotary control

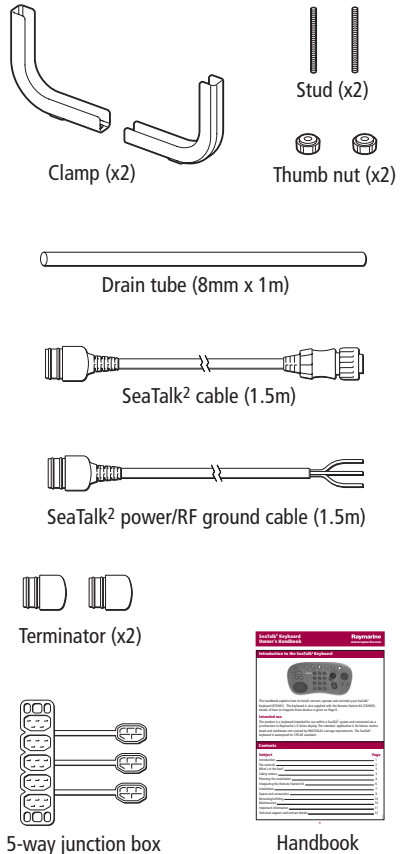
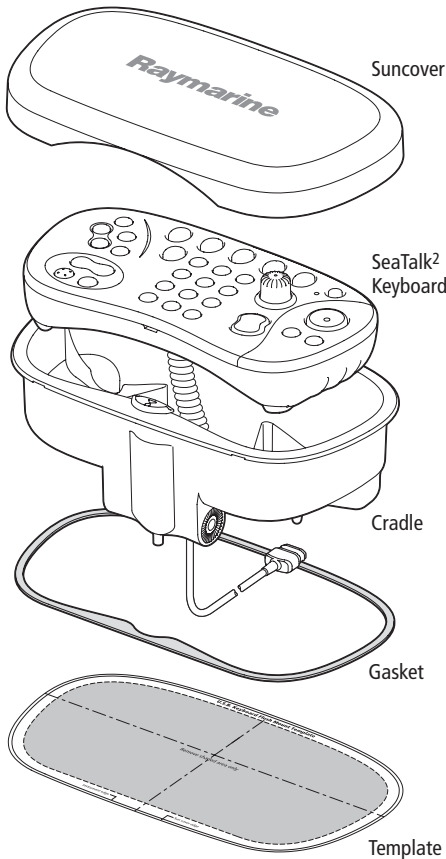
To scroll through lists and edit alphanumeric values.

OK

To select on-screen option, or return to the previous soft key set/menu.

For further details of the control functions, please refer to your E-Series Display Reference Manual.

Whats in the box?...



! Safety notices

WARNING: Navigation aid

Although this product has been designed to be accurate and reliable, many factors can affect its performance. As a result, it should only be used as an aid to navigation and should never replace common sense and navigational judgement. Always maintain a permanent watch so you can respond to situations as they develop.

WARNING: Cable

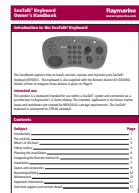
Do not disconnect the keyboard cable from the keyboard.

WARNING: Product installation

This equipment must be installed and operated in accordance with the instructions contained in this handbook. Failure to do so could result in poor product performance, personal injury and/or damage to your boat.

WARNING: Electrical safety

Make sure the power supply is switched off before you make any electrical connections.



Planning the installation

Where can the SeaTalk² Keyboard be mounted?

The Seataalk² keyboard can be flush or trunnion mounted either indoors or outdoors. It is waterproof to CFR-46 standard.

Important:

The drain tube is not required if the keyboard is mounted indoors or in an area protected from rain and/or sea spray. If mounting the keyboard outdoors or in an unprotected area the drain tube will need to run to a suitable exit point below the level of the keyboard.


What configuration should I use?

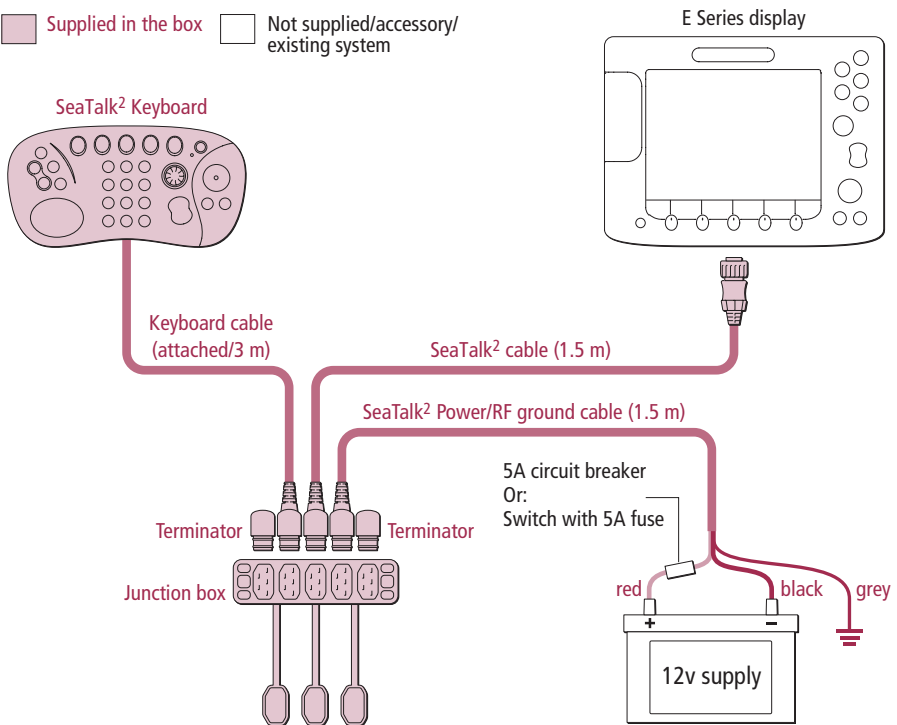
How you connect the keyboard depends on the distances between your E-Series Display, the keyboard and power source and whether or not you are connecting the keyboard to an existing SeaTalk² system. Select the appropriate configuration from the following:

Configuration 1

- Cable length between E-Series Display and keyboard less than 4.5m **and**
- Not linking into an existing SeaTalk² system.

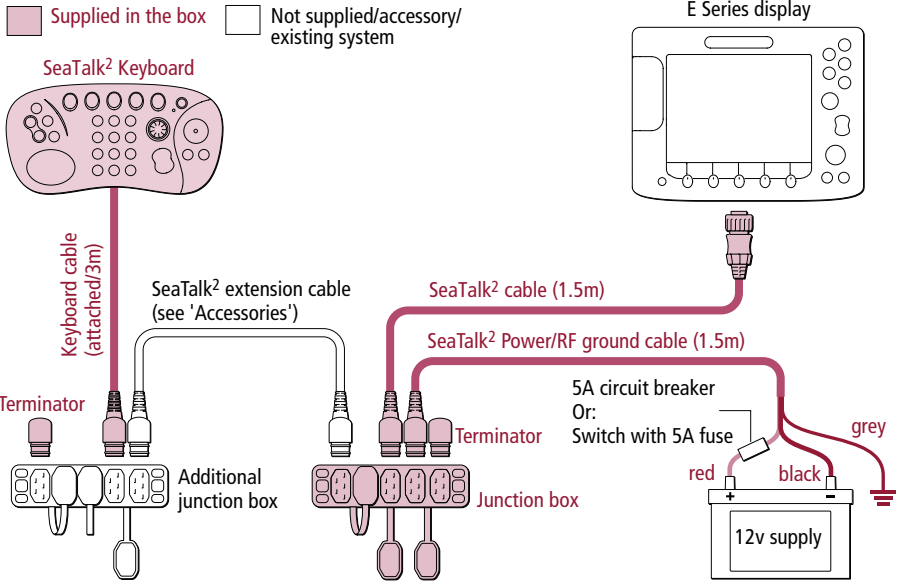
 Supplied in the box

 Not supplied/accessory/
existing system



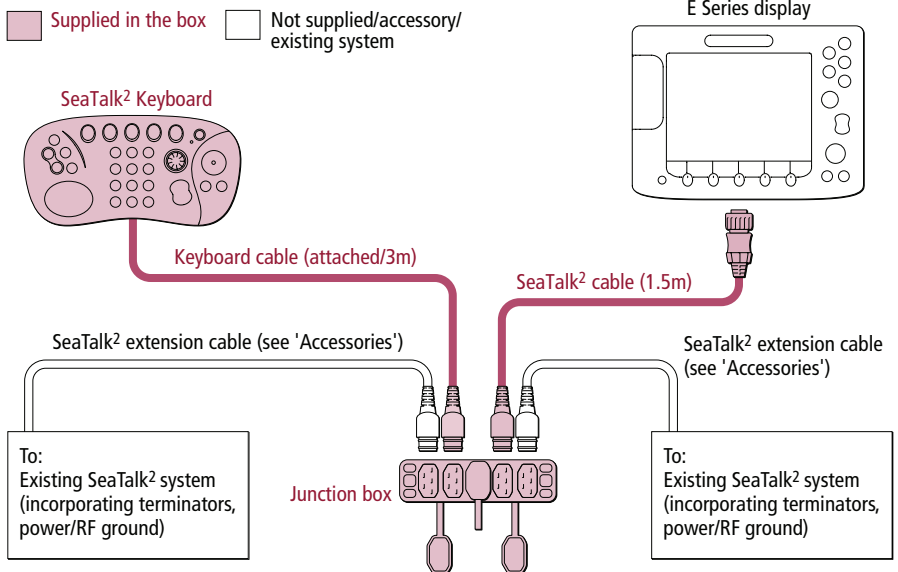
Configuration 2

- Cable length between E-Series Display and keyboard exceeds 4.5m **and**
- Not linking into an existing SeaTalk² system.



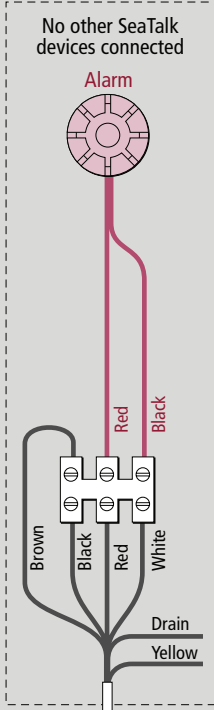
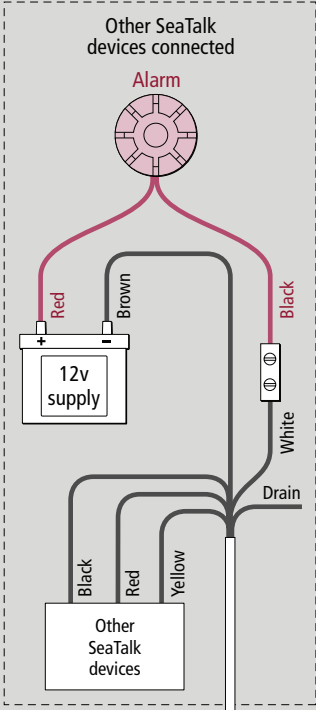
Configuration 3

- Integrating the keyboard into an existing SeaTalk² system.

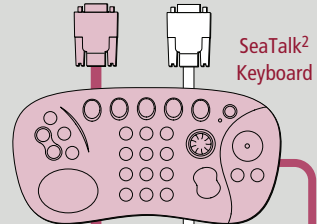
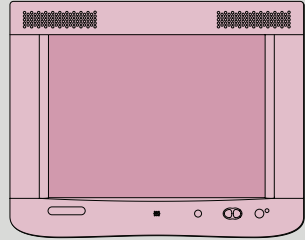


Integrating the Remote Station Kit

Station 1



M1500 monitor



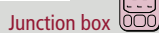
VGA out cable, 5m
NOT waterproof

OR

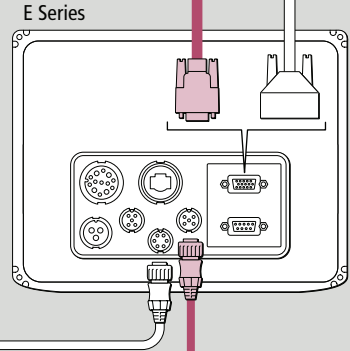
VGA out cable, waterproof
(see Accessories)

Station 2

Refer to 'Planning the Installation', diagrams on pages 4 and 5.



SeaTalk/Alarm out cable, 1.5m



SeaTalk² cable (1.5 m)

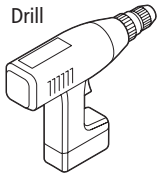
Keyboard cable (attached/3 m)

Remote Station Kit Not supplied/accessory/existing system

Installation

Note: Before installing the keyboard, please read 'Planning the installation' on Pages 4 & 5.

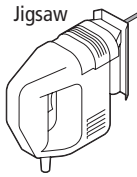
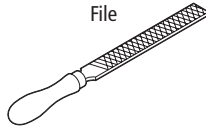
What tools do I need to install the keyboard?



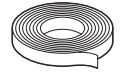
10 mm (3/8 in)
drill bit



File



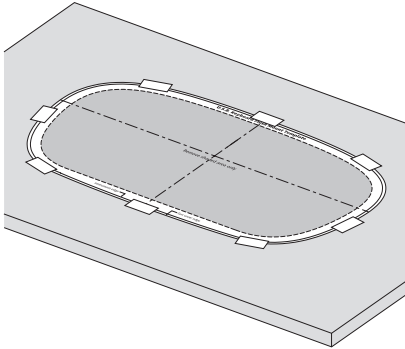
Masking or
adhesive tape



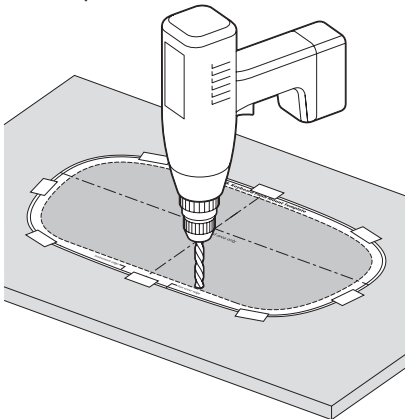
How do I install the keyboard?

1. Using self-adhesive or masking tape, fix the template in the required position.

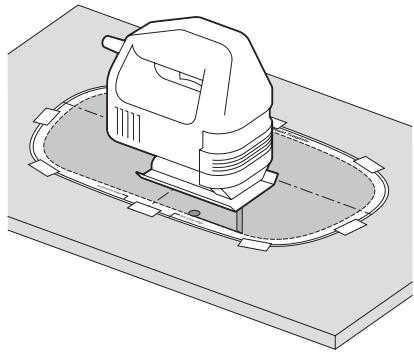
Note: Ensure that there are no cables or other parts that will be damaged, when the panel is drilled and sawn.



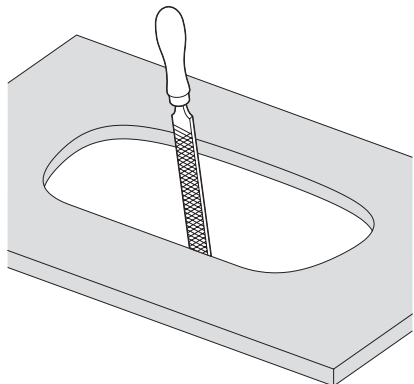
2. Drill a pilot hole inside the shaded area of the template.



3. Saw around the shaded area of the template.

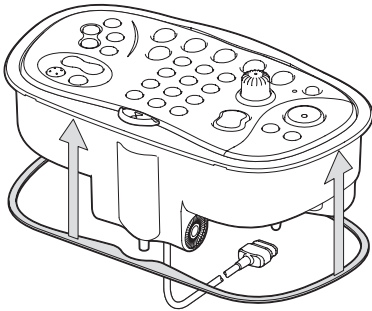


4. Remove the tape and the template remains. Smooth the sawn edges with a file.

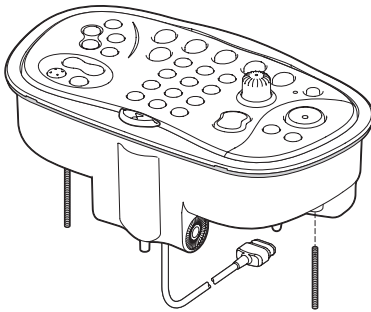


Installation - continued

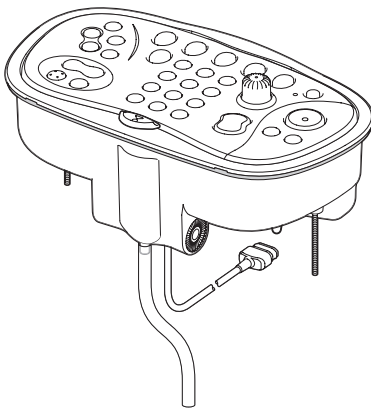
5. Peel the backing from the gasket and stick it to the underside of the cradle.



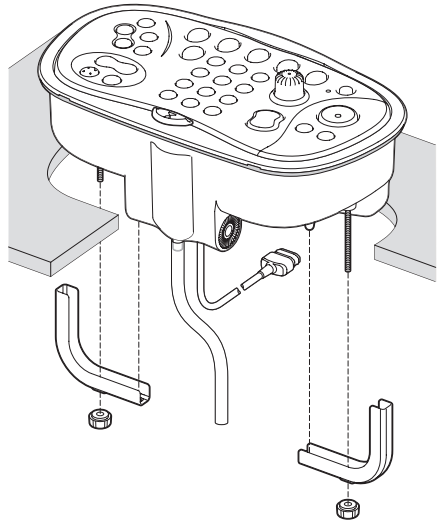
6. Finger tighten the studs into position.



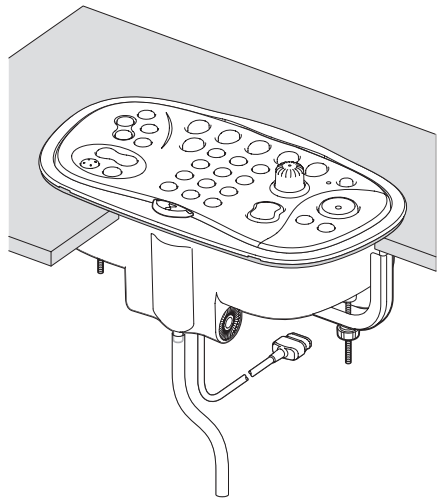
7. If mounting the keyboard in an area unprotected from rain and/or sea spray, fit the drain tube and ensure that it runs to a suitable exit point below the level of the keyboard and the studs.



8. Fit the keyboard assembly into its housing. With the dimples in the clamps fitting into the nipples on the cradle, fit and secure the clamps in place using the thumb nuts.



9. Ensuring that the power is connected last, connect all the cables, terminators etc in the appropriate configuration (see 'Planning the Installation' on pages 4 to 6). Wrap any excess cable and tuck away. **Do not** cut and resplice cables.



Accessories and spares

What accessories are available? ...

Description	Part no.
SeaTalk ² power/RF ground cable (1.5m)	E55070
Auxiliary alarm	E26033
M1500 monitor kit (includes 5m VGA Out cable)	E02009
Terminator	E25048
Junction box	E25049
SeaTalk ² extension cables:	
1 metre	E25040
3 metres	E25042
5 metres	E25043
10 metres	E25038
20 metres	E25044
E-Series SeaTalk ² cable (1.5m)	E55053
VGA Out cables (waterproof):	
10 metres	E55055
20 metres	E55056
Trunnion mount kit	E05012

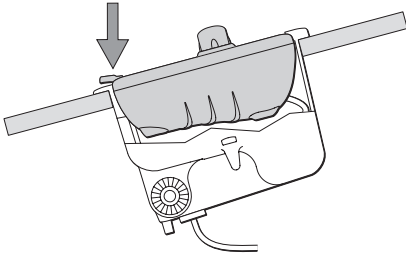
What spares are available? ...

Description	Part no.
Cradle assembly (includes cradle, cable, drain tube, gasket and latch)	R58213
Flush mount kit (includes gasket, clamps, drain tube, studs and thumb nuts)	R58211
Latch	R89043
Suncover	R58212

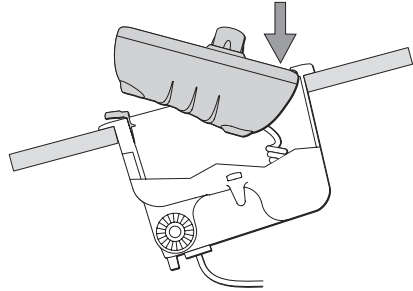
Removing/refitting

How do I remove the keyboard? ...

1. Switch off the power.
2. Slide and hold the latch.

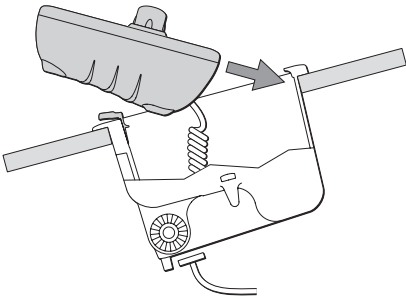


3. Push down at the top of the keyboard to raise it from the cradle and lift the it from the cradle.

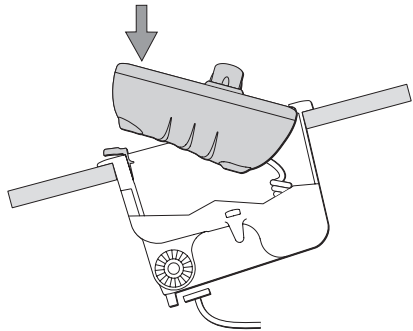


How do I refit the keyboard? ...

1. Position the top edge of the keyboard under the lip of the cradle.



2. Push the bottom of the keyboard into the cradle to engage the latch.



Maintenance

What routine checks and servicing can I do? ...

On a regular basis, examine all cables for signs of damage, such as chafing, cuts or nicks and check that all cables are securely connected.

The SeaTalk² keyboard has no user serviceable parts.

How should I clean my keyboard? ...

Regularly clean your keyboard as follows:

1. Switch off the power.
2. Wipe the keyboard with a clean, soft cloth. To remove oily finger marks, use a spray cleaning agent of the type used for cleaning eyeglasses or a mild detergent. Do not use acid, ammonia based or abrasive products.

Important information

EMC conformance

All Raymarine equipment and accessories are designed to the best industry standards for use in the recreational marine environment. The design and manufacture of Raymarine equipment and accessories conforms to the appropriate Electromagnetic Compatibility (EMC) standards, but correct installation is required to ensure that performance is not compromised. For full details and installation guidelines refer to our web site at **www.raymarine.com**

Warranty

To register your new Raymarine product, please take a few minutes to fill out the warranty card. It is important that you complete the owner information and return the card to us to receive full warranty benefits.

Your product can also be registered via our web site - **www.raymarine.com**

Handbook information

To the best of our knowledge, the information contained in this handbook was correct as it went to press. Raymarine cannot accept any liability for any inaccuracies or omissions it may contain. In addition, our policy of continuous product improvement may change specifications without notice. As a result, Raymarine cannot accept liability for any differences between the product and the handbook.

Disposal of this product

Disposal of this product should be in accordance with local regulations.

Technical support & contact information

www.raymarine.com

Visit the Customer Support area of our website for Frequently Asked Questions, servicing information, e-mail access to the Raymarine Technical Support Department and details of Raymarine agents, worldwide.

United States

For accessories and parts contact:

- Your authorized Raymarine dealer.
- or**
- Raymarine Technical Services on:
1-800-539-5539 extension 2333,
or (603)-881-5200.

Opening hours:

Monday through Friday 0815 - 1700,
Eastern Standard or Eastern Daylight
Savings Time.

To verify your requirements contact:

- 1-800-539-5539 extension 2444,
or (603)-881-5200.

For product repair & service contact:

- Your authorized Raymarine dealer.
- or**
- Return the unit to:
Raymarine Product Repair Center
21 Manchester Street
Merrimack, NH03054 - 4801
1-800-539-5539

Europe

For technical support, service and accessories contact:

- Your authorized Raymarine dealer.
- or**
- Technical Support
Raymarine UK Limited
Anchorage Park
Portsmouth
PO3 5TD
England
Tel: +44(0)23 9271 4713
Fax: +44(0)2392661228

Help us to help you

When requesting service, please quote the following product information:

- Equipment type
- Model number
- Serial number

Raymarine UK Limited

Quay Point, Northharbour Road,
Portsmouth, Hampshire
England PO6 3TD
Tel: + 44 (0)23 9269 3611
Fax: + 44 (0)23 9269 4642
www.raymarine.com

Raymarine Incorporated

21 Manchester Street
Merrimack, NH03054 - 4801
USA
Tel: 603-881-5200
Fax: 603-864-4756
www.raymarine.com

Raymarine

Document No: 81253_1
Date: March 2005
© Raymarine 2005