

Shunt Shifter

PN 8242

The Shunt Shifter allows a 500A/50mV shunt (PN 8255), installed in the positive side of a circuit, to be used by digital meters that normally require the shunt to be installed in the negative. A ground referenced signal is generated that mirrors the mV drop across the shunt.

Features

- Shunt Adapter for DC Digital Ammeter positive side shunt applications, such as alternator measurement
- The Shunt Shifter is designed for use with Blue Sea Systems' PN 8255 Digital Meter Shunt
- Advanced technology shifts the shunt's positive reference to negative as required by digital meters
- Easily installs directly onto shunt using existing sense screws
- Ideal for use with 12-36 Volt DC systems

Specifications*	Typical	Maximum
Offset Error at 0A:	0.1A	0.3A
Accuracy (% of Reading):	±1%	±2.5

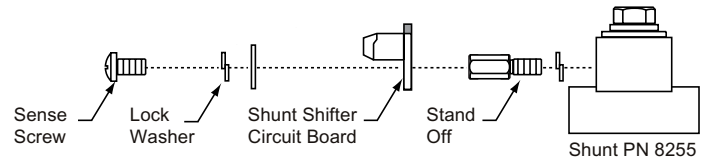
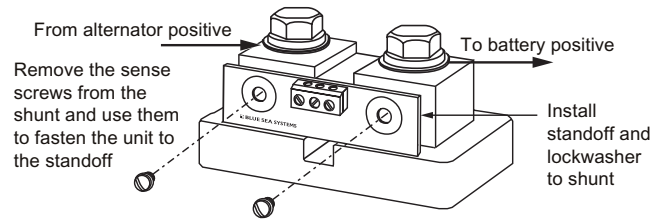
* When used with Blue Sea Systems 82xx Digital Meters.

Guarantee

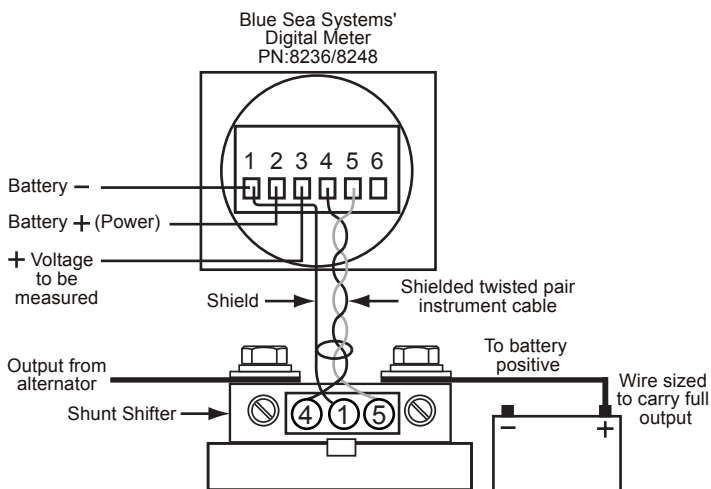
Any Blue Sea Systems product with which a customer is not satisfied may be returned for a refund or replacement at any time.

Installation

1. Install the Shunt Shifter as shown using the existing sense screws and standoff hardware supplied.
2. Install the shunt in the circuit to be measured. The power terminals must rest directly on the shunt block.
3. Connect the meter sense leads to the terminal block. The center negative terminal connects to #1 of the meter to provide a negative reference. The outer terminals connect to #4 and #5 of the meter.
4. If the polarity reading of measurement does not suit your application, reverse leads #4 and #5



8242 Mounting Diagram



8242 Connection Diagram