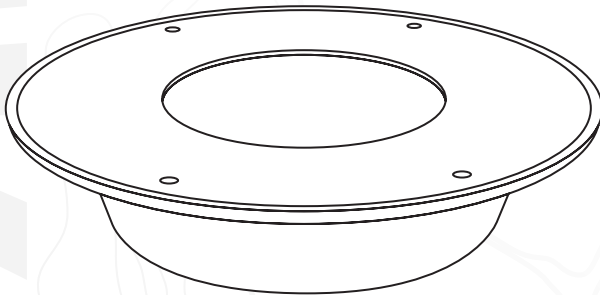


# ***SEAVIEW***///



## ***INSTALLATION INSTRUCTIONS***

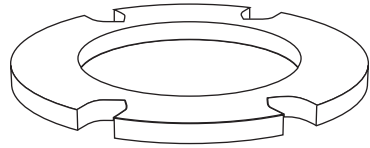
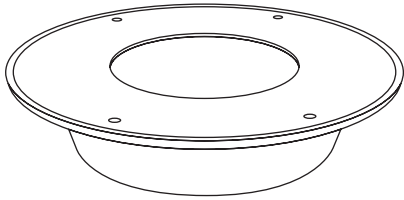
For Low Profile Satdome Adapter:

***AMA-16***

Refer to website for most up to  
date instructions and videos.

***WWW.SEAVIEWGLOBAL.COM***

# PARTS INCLUDED

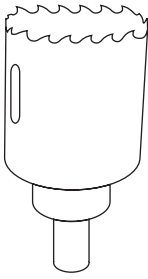


---

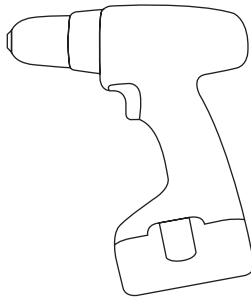
# TOOLS NEEDED



1/4" = 6mm



1.5" - 2" = 38mm-50mm

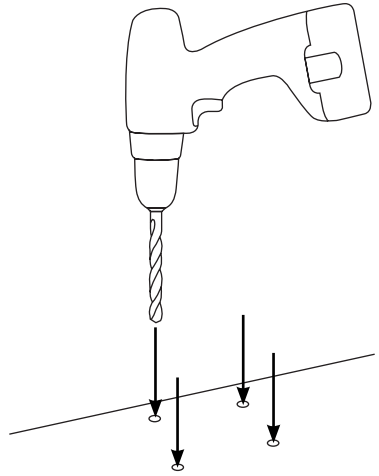


Sudbury Elastomeric Marine Sealant is recommended. To purchase call 800-655-7922 or visit [www.seaviewglobal.com](http://www.seaviewglobal.com)



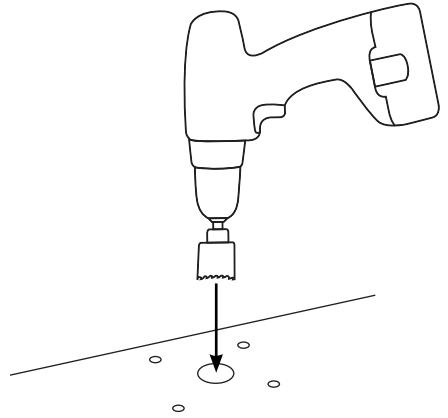
# 4

Drill the four bolt holes.



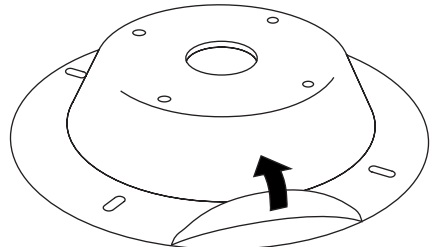
# 5

Using a hole saw drill the center hole for cables to pass through.

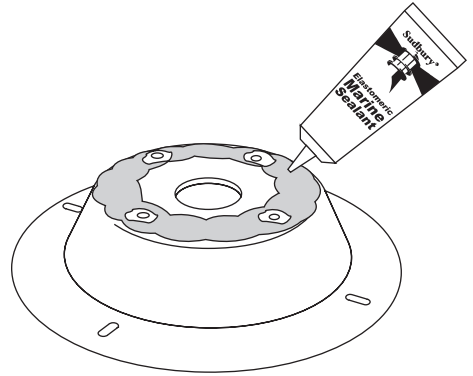


# 6

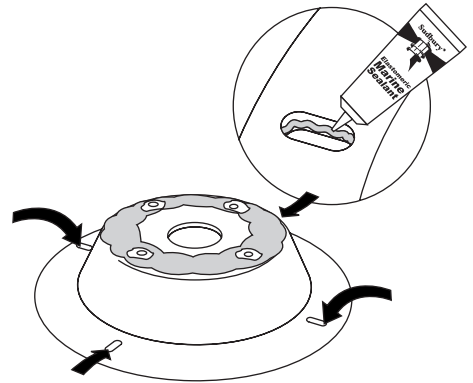
Remove the clear protective film on the AMA-16.



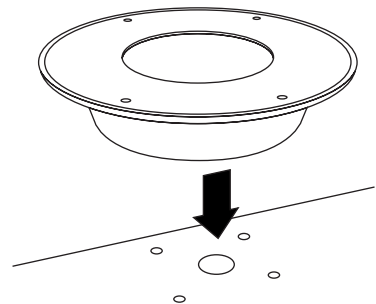
- 7** Apply marine adhesive sealant to the base of the mount. Be sure to go around the base holes.



- 8** Apply marine adhesive sealant to the inside of the four bolt holes on the top plate.

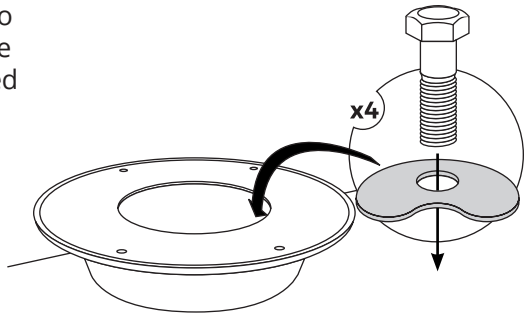


- 9** Place the AMA-16 onto the mounting surface, making sure that all the bolt holes line up.



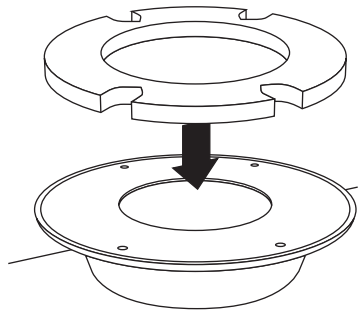
# 10

Secure the AMA-16 to the mounting surface with the four supplied washers and your own nuts and bolts.



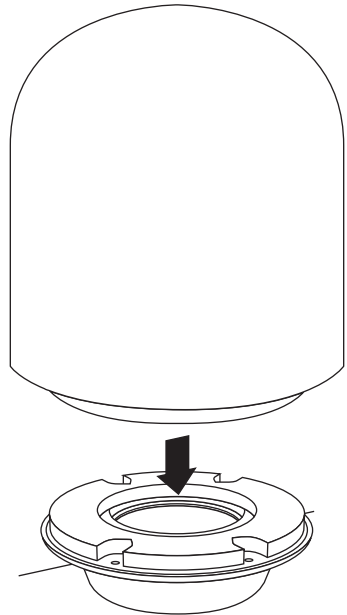
# 11

Place the foam gasket on top of the AMA-16.



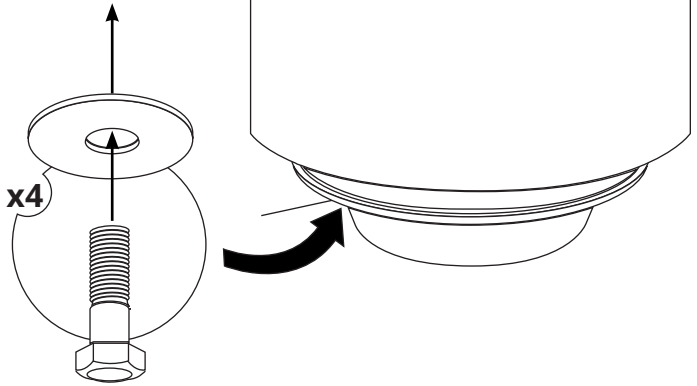
# 12

Mount the satellite dome on top of the foam gasket.



# 13

Using your own hardware secure the satellite dome to the mount using four bolts and washers.



The background of the entire page is a light gray topographic map with white contour lines. The lines are irregular and wavy, representing elevation changes across a landscape. The map is centered and covers the entire area.

***SEAVIEW***///  
***ELEVATE YOUR ELECTRONICS***

***SEAVIEW***///

Tel: 800-655-7922  
[www.seaviewglobal.com](http://www.seaviewglobal.com)

***EUROPEAN OFFICE***

Tel: +33 4 94 53 27 70  
[www.seaviewprogress.com](http://www.seaviewprogress.com)

1-100918