

PERKO®

CE

SURFACE MOUNT UNDERWATER LIGHT

Mounting Options and Installation Instructions



FIG. 0181



PERKO, INC.
16490 N.W. 13th Avenue
Miami, FL 33169-5707
www.perko.com

0181INS1
012/08

FIGURE NO. 0181 SURFACE MOUNT L.E.D. UNDERWATER LIGHT



Mounting Options and Installation Instructions

Please Read All Instructions Before Proceeding

Mounting Option #1

For wiring through transom directly behind light.

- Position the template where the light is to be mounted.
- Where indicated on the template drill a 5/16" dia. hole for the wire to pass through the hull.
- Drill three (3) clearance holes for #8 size mounting screws.
- Epoxy inside all holes to insure that water will not be absorbed into the hull in case of water intrusion.
- After epoxy dries, pass the wire through the hole.
- Put a generous amount of sealant on the back of the light.
- Attach the back of the light flush against the mounting surface, using number 8 R.H. or Pan Head screws. Remove excess sealant.
- Attach the power cable to a fused, switched power source. Observe polarity. Red lead is connected to positive. Each light draws less than 1/2 amp at 12 volts.

Mounting Option #2

For wiring through a hole on the mounting surface above the location of the light, i.e. a hole above the waterline.

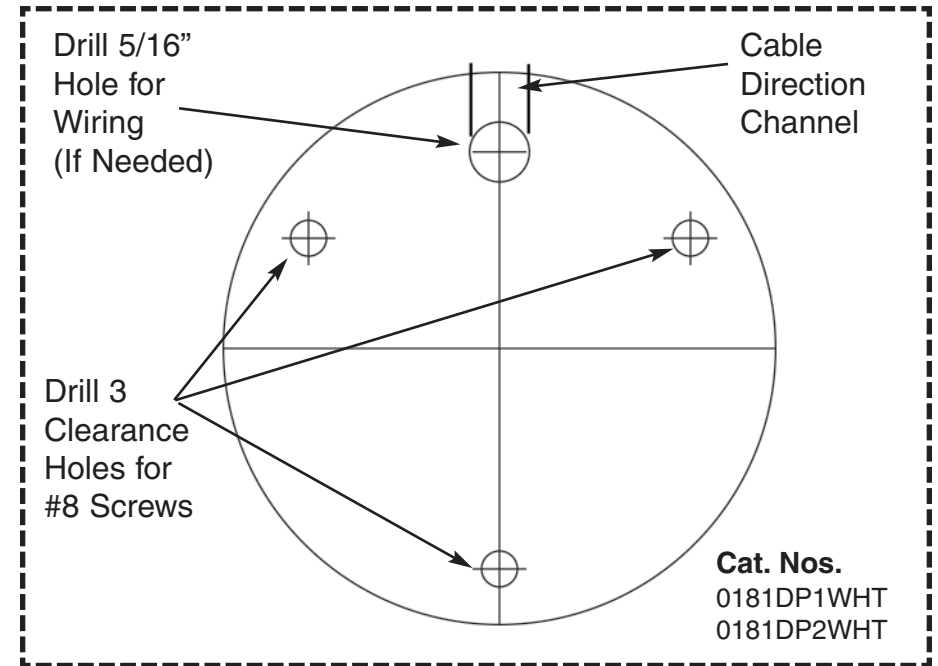
- Follow instructions a, c, d & g as stated above.
- No sealant is required for the light.
- Route wire along the mounting surface to desired location, then drill and seal an appropriate hole to enter the boat and connect to a fused, switched power source. Observe polarity. Red lead is connected to positive. Each light draws less than 1/2 amp at 12 volts.

Mounting Option #3

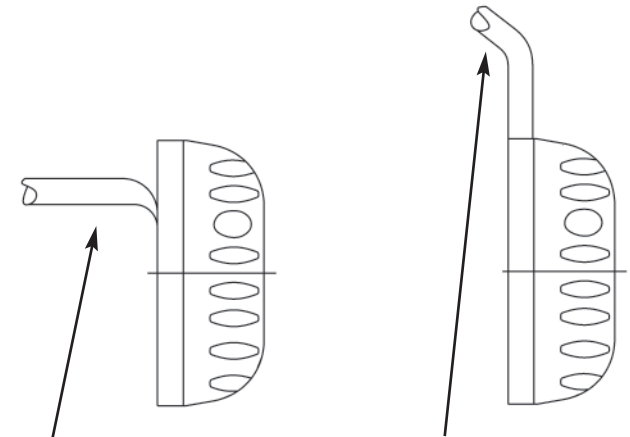
Portable installation with wiring over the transom.

- Affix a strip of waterproof Velcro® type product to the mounting surface while the boat is out of the water. Be sure the surface is clean before applying.
- Attach another strip to the back of the light.
- Press the two together when desired to temporarily mount the light.
- Pass the cord over the transom. Connect it to a fused power source. Observe polarity. Red lead is connected to positive. Each light draws less than 1/2 amp at 12 volts.

MOUNTING TEMPLATE FOR PERMANENT INSTALLATIONS



CUT ALONG DOTTED LINES



**Configuration of cable
for mounting
option #1**

**Configuration of cable
for mounting
options #2 & #3**