

Item Number _____

RAM-VB-190 & RAM-VB-190-SW1

RAM No-Drill™ Seat Bases

National Products, Inc.

Vehicle base for the
FORD POLICE INTERCEPTOR SEDAN 2013
FORD TAURUS 2013



SPECIFICATIONS

Placement

Passenger side, in front, where seat frame meets floor board.

Drilling Required

None - uses existing seat bolts

Seat Configuration

Bucket

Construction/Finish

Steel/Black Powdercoat

Pole or Pedestal

Ordered Separately

Dimensions

A = 18.375", B = 2.75", C = 5.5"

Hole Centers = 16.5"

Weight

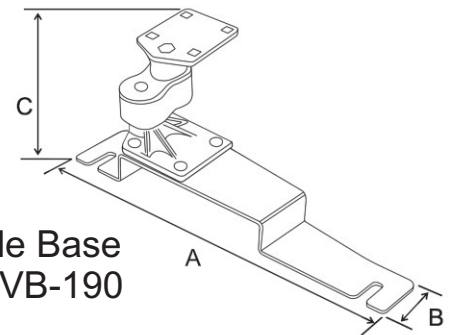
3.5 lbs.

Features

Installs in with no drilling required
Won't interfere with levers or factory-installed console
Lifetime warranty!



Complete Vehicle Mount
RAM-VB-190



Vehicle Base
RAM-VB-190

National Products, Inc.

8410 Dallas Ave S
Seattle, WA 98108
Phone: (206) 763-8361
Fax: (206) 763-9615
Website: www.ram-mount.com
Email: staff@ram-mount.com



Item Number _____

RAM-VB-190 & RAM-VB-190-SW1

RAM No-Drill™ Seat Bases

National Products, Inc.

**Vehicle base for the
FORD POLICE INTERCEPTOR SEDAN 2013
FORD TAURUS 2013**

INSTALLATION INSTRUCTIONS

It will be necessary to remove the plastic trim over the seat leg bolts. Once the base is in place, the trim can be reinstalled.

Note that if you are going to use the supplied riser, pass the carriage bolts up through the base and use a small piece of tape on the round heads to hold them in place during installation. Once the base is in place, align the holes in the riser with the bolts and pass it down over them. Finish securing the riser in place with the supplied washers, nuts, and finish with the rubber nut caps.

2013 Ford Taurus and Police Interceptor sedan:

1. Using a 13MM socket, loosen front seat leg bolts enough to create a 1/4 inch gap between the seat legs and the floor pan.
2. Gently lift the front of the seat and slide the base under the seat legs aligning the slots with the bolts. Press the base all the way back until it stops in the slots.
3. With the base in place, re-tighten the front seat leg bolts and replace the plastic trim covers.
4. Pass the supplied longer bolts through the flat washers, through the No-Drill™ base, and through the stand off.



Installation photo of 2013 FPI Sedan. Under seat leg installation.



National Products, Inc.
8410 Dallas Ave S
Seattle, WA 98108
Phone: (206) 763-8361
Fax: (206) 763-9615
Website: www.ram-mount.com
Email: staff@ram-mount.com