

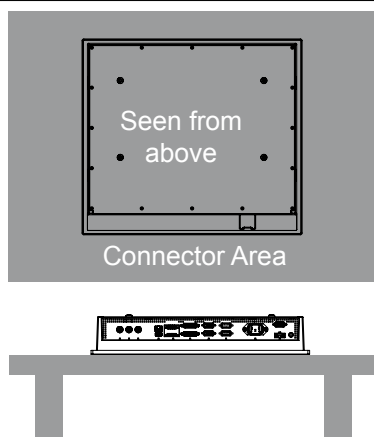
Mounting Bracket for Table / Desktop installation

You need: M4, M5, M10 Unbrako® Hex Key tool, M10 Wrench and 1 pcs of HD xxBRD SX1-A1 Mounting Bracket Kit, where xx=12, 15, 17 or 19 inch. Fasteners (6 pcs M6) for Table / Desktop location not included.
 Procedure suitable for: Display and Panel Computers Series X range.

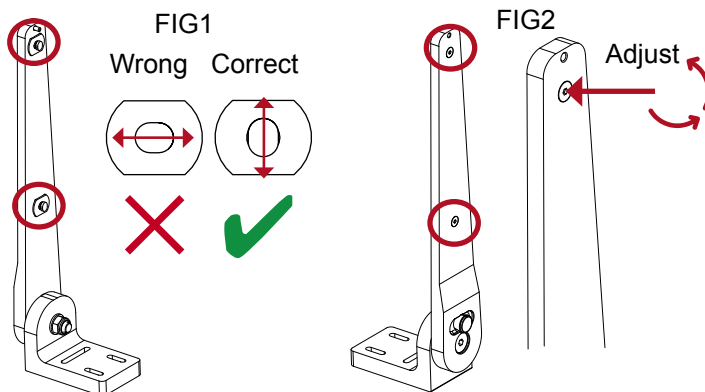


Attention: A suitable pre-drilled location and knowledge of measurements for both main unit and brackets/tilting functionality should be prepared and checked prior to mounting. Please disconnect ALL cables before proceeding. Please review User Manual or visit www.hatteland-display.com for Technical Drawings regarding measurements for both main unit and Mounting Brackets.

1: Place the unit on a dry, flat, clean, soft surface (i.e. table) with the glass front facing down as illustrated. Connector area should be facing downwards from you.

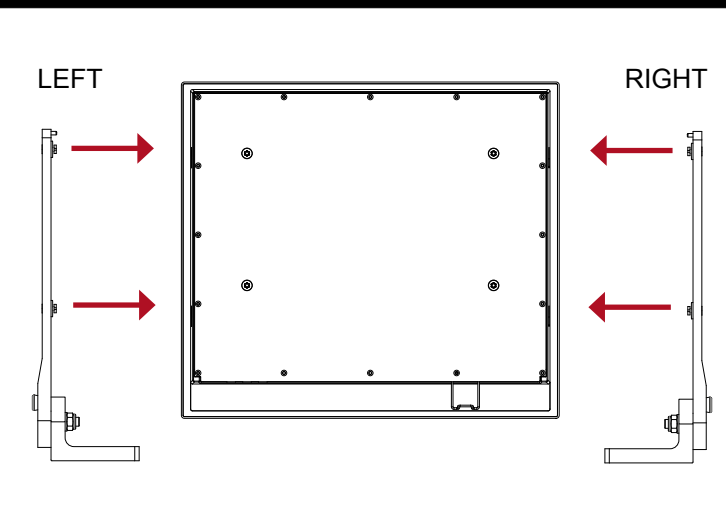
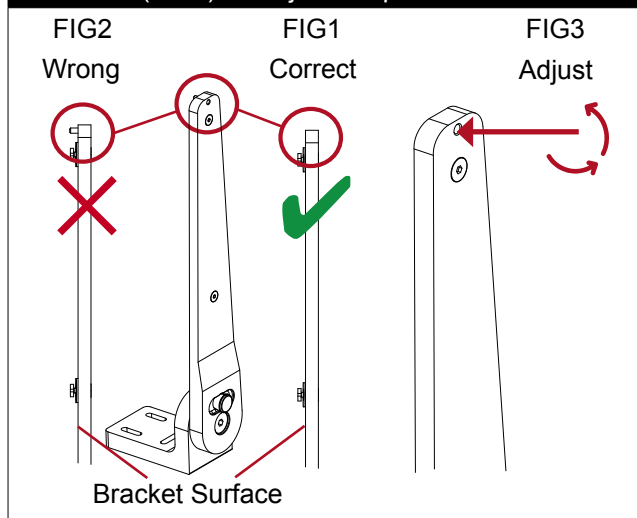


2: Inspect the inner side of both brackets and especially the orientation of the Key Hole Plug (4 pcs). They should be shaped as an standing "egg" to ensure proper fitting in the Key Hole of unit (FIG1). Note: You may have to loose the fastening screw (M5) (FIG2) if the Key Hole Plug can not be turned by hand.

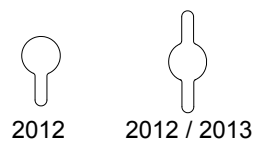


3: Verify that the Key Hole Set Screw (M4) is aligned with the bracket surface (FIG1). If this screw appear too far out (FIG2), proper fitting into the Key Hole can not be completed. Turn screw clockwise or anti-clockwise (FIG3) to adjust the position.

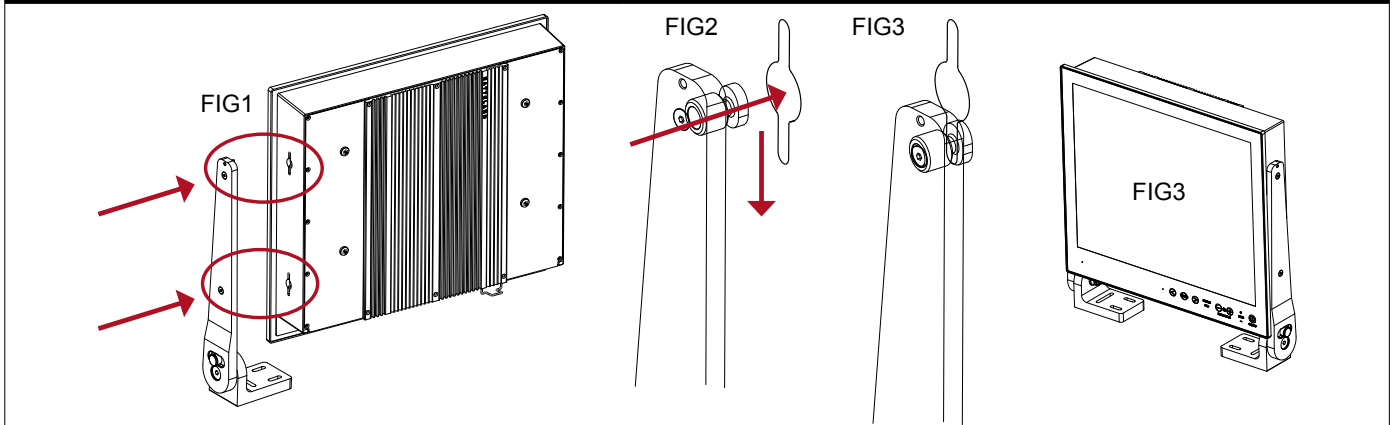
4: Notice the indication of LEFT and RIGHT. The mounting bracket (2 pcs) is marked with respective stickers (L/R) from factory. Please make sure that LEFT bracket is positioned on LEFT side and RIGHT bracket is positioned on the RIGHT side as shown below.



Note: Some units may have Single Key Hole, whilst others have Double Key Hole. This is due to slight variation in initial production vs Mass Production throughout 2012. During early 2013, all units will have Double Key Hole.

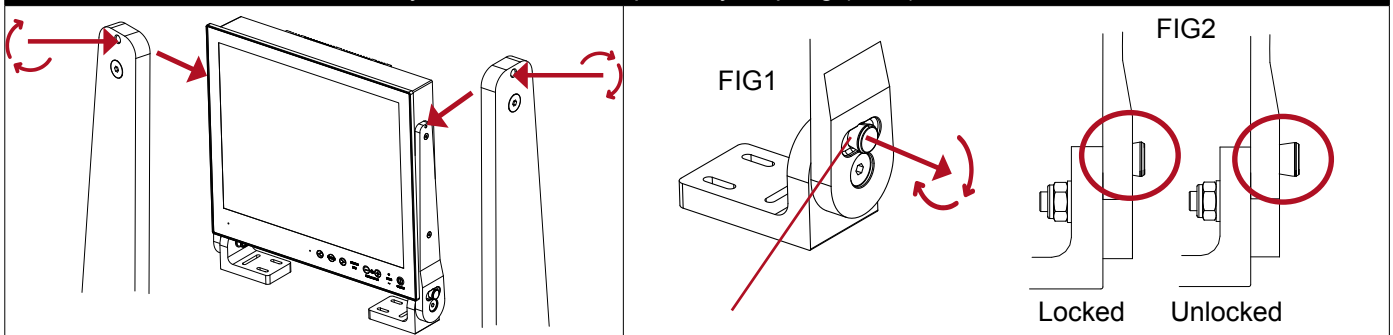


5: Ensure that both Key Hole Plugs slide into the Key Holes and goes to the bottom position (FIG1 and FIG2). If they appear too tight, you may loose the Key Hole Plug screw a few turns and re-try (see previous step 2). FIG3 shows Key Hole Plug correctly into Key Hole and both brackets in place.



6: Tighten Key Hole Screw firmly on each side and make sure the brackets are properly mounted and aligned to the main chassis of unit. Verify with your hands that both brackets are firmly attached.

7: While unit is lying flat on table, check the Tilting Lock Pin position. These can be pulled out by hand, turned 90° (FIG1) and turned back 90° until the Lock Pin automatically clicks into place by a spring (FIG2).



8: You may now mount the unit onto your desired location. It is advised that you unlock the Lock Pin (as shown in step 7), tilt the unit 90 degrees backwards (FIG1) and properly fasten the bracket base into location (FIG2). **NB! Be careful not to break or scratch the edge of the front glass!** Then repeat step 7 again until your desired tilting position has been achieved and you have verified that the Lock Pin are in locking position and the unit is firmly attached and does not appear loose (FIG3).

