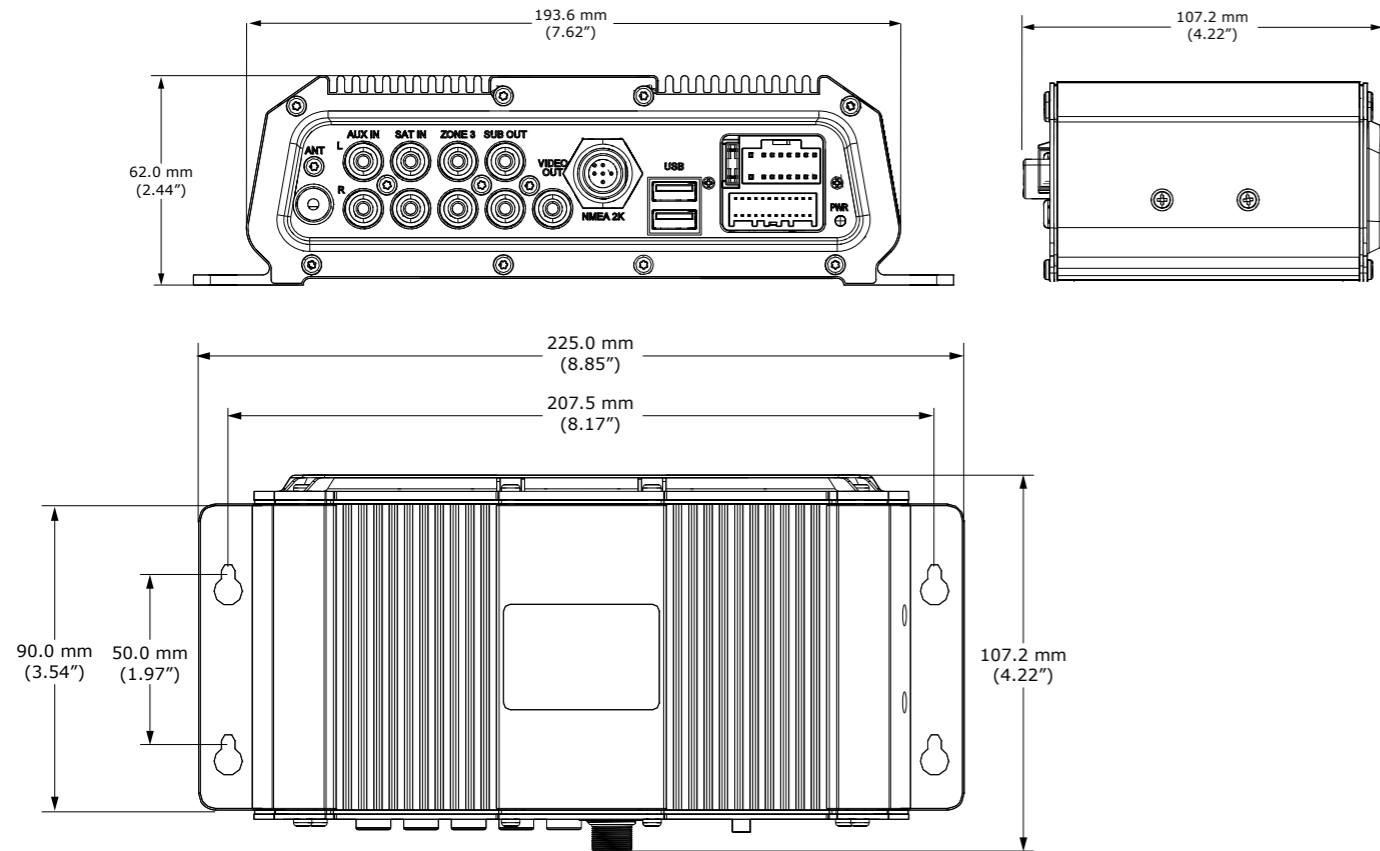


Dimensions



Parts included

Pack Part No.	Pack Contents										
	SonicHub™ 2	SonicHub™ 2 Mounting kit	SonicHub 2 Installation guide	SonicHub™ 2 Power cable	6' NMEA 2000 Cable	NMEA 2000 T-Connector	6.5" Speaker x2	Speaker mounting kit	Speaker mounting template	2 x 2 m Speaker connector cable	Warranty card
LOWRANCE 000-12301-001 SonicHub™ 2 2 x 6.5" Speakers	●	●	●	●	●	●	●	●	●	●	●
LOWRANCE SIMRAD B&G 000-12302-001 SonicHub™ 2	●	●	●	●	●	●					●
LOWRANCE 000-12304-001 2 x 6.5" Speakers							●	●	●	●	●
SIMRAD 000-12305-001 2 x 6.5" Speakers							●	●	●	●	●
B&G 000-12306-001 2 x 6.5" Speakers							●	●	●	●	●

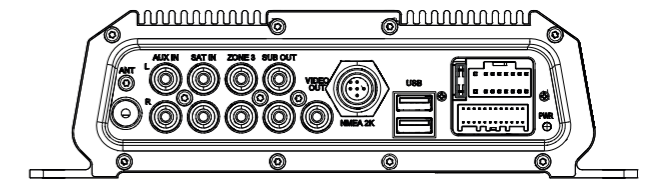
LOWRANCE

SIMRAD

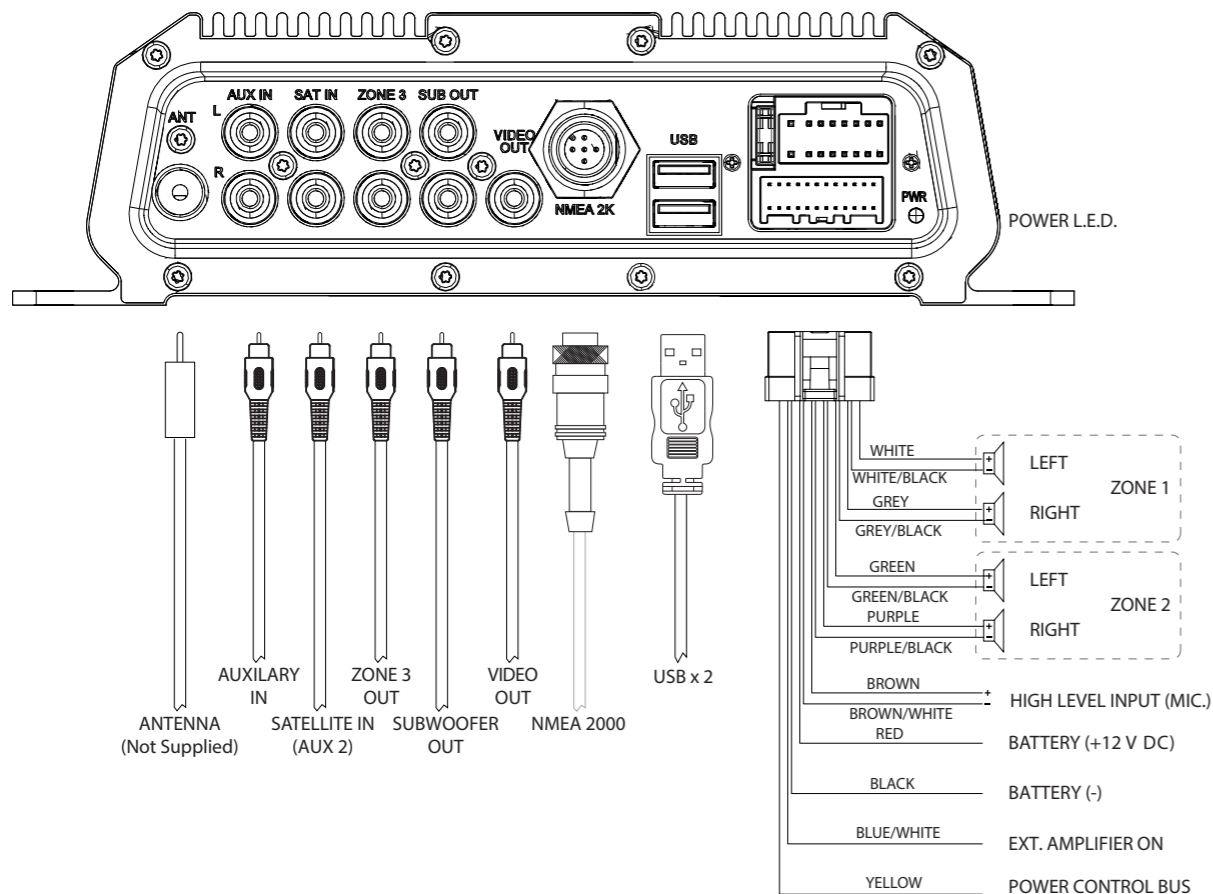
B&G

SonicHub™ 2
Marine Audio Server

INSTALLATION GUIDE



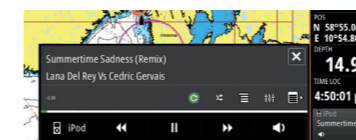
Wiring connectors



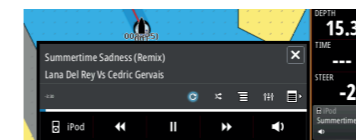
Operation by an MFD

The SonicHub™ 2 is operated by a compatible Multi-Function Display (MFD). Examples below.

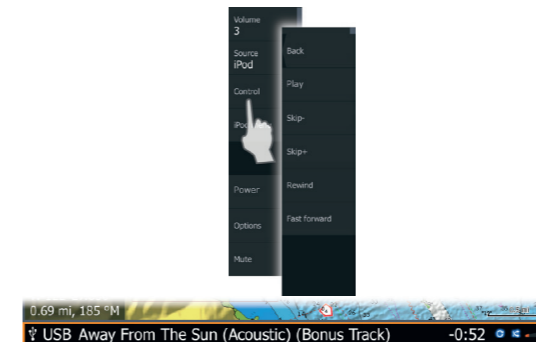
B&G - Zeus² & Zeus² Glass Helm



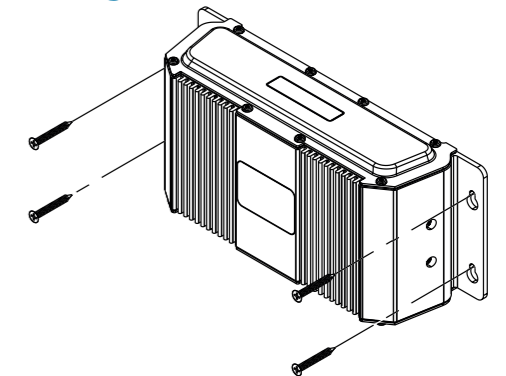
Simrad - NSS evo2 & NSO evo2



Lowrance - HDS Gen3 & HDS Gen2 Touch



Mounting



Information

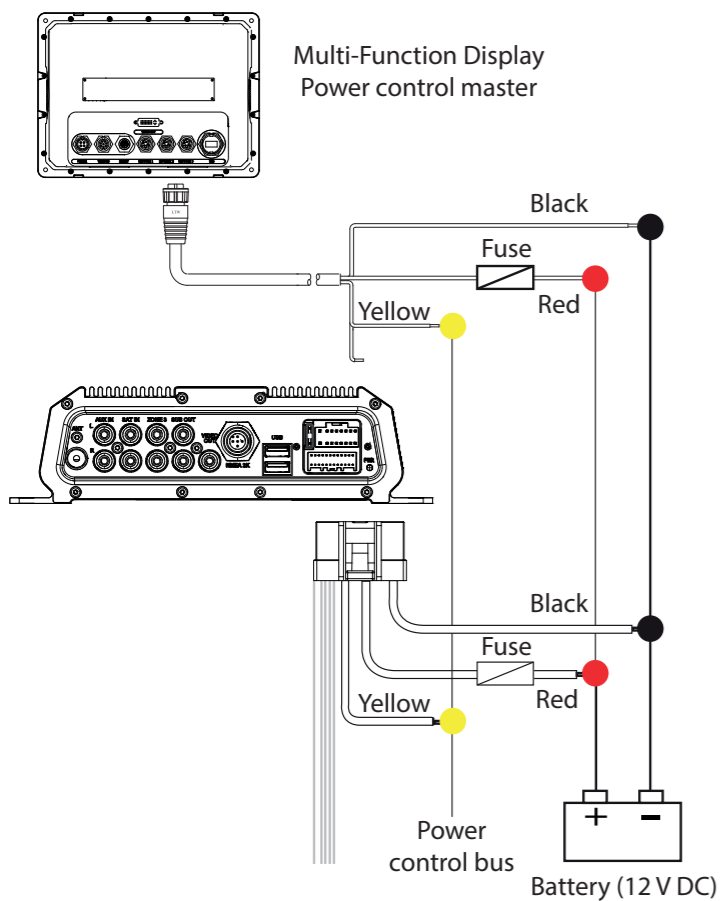
For compliance information see the regulatory statement included with this product. Visit one of the websites listed below for software updates and more information about SonicHub™ 2.

www.lowrance.com
www.simrad-yaching.com
www.bandg.com

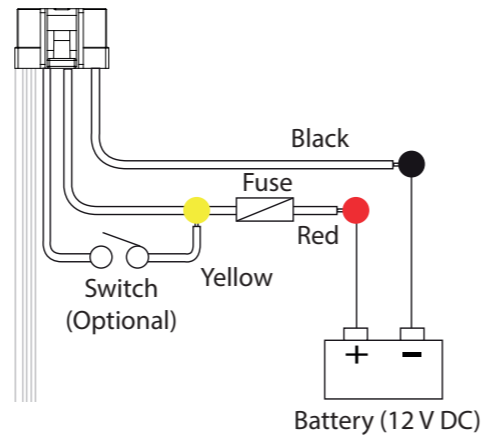
CE 1942

Copyright © 2015 Navico Holding AS.

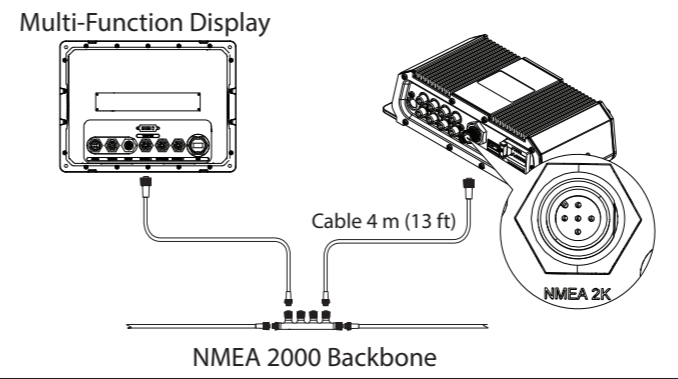
Preferred power control method



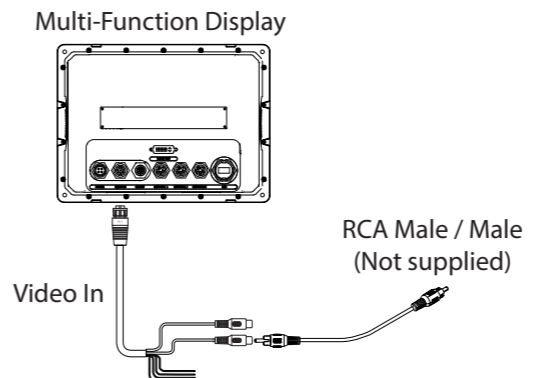
Alternative switched power control method



NMEA 2000 network connection



Video out connection



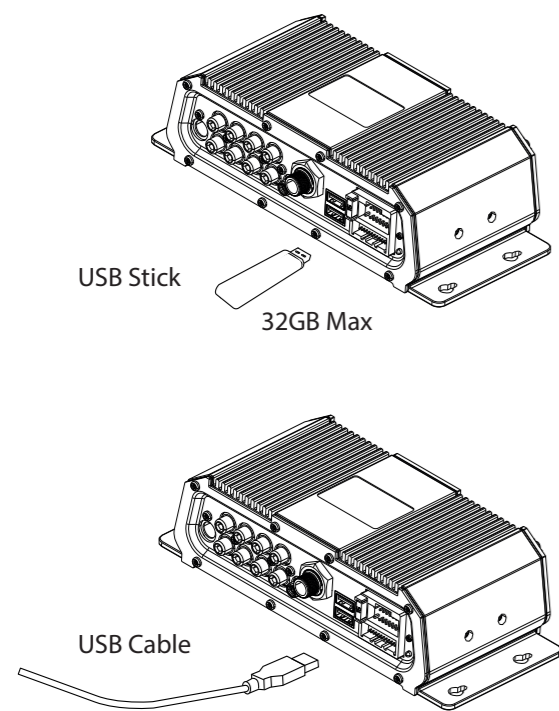
Connection via Bluetooth™

Refer to the relevant brand manual or website for Bluetooth connectivity instructions.

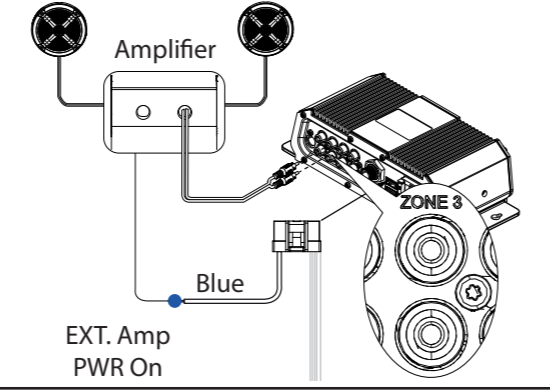
Specifications

General	
Dimensions (L x W x H)	107.2 x 225.0 x 62.0 mm (4.2 x 8.9 x 2.4")
Weight	0.88 kg (1.96 lbs)
Waterproof rating	IPX2
Temperature	Operating: -20 to 60°C (-4 to 140°F) Storage: -40 to 80°C (-40 to 176°F)
Compliance	FCC part B, Subpart J; CE per EN 60945; C-Tick
AM Tuner	
Tuning range	531 to 1611 kHz EU with 9 kHz/step; 530 to 1710 USA with 10 kHz/step
Usable sensitivity	28 dBuV = 25 uV
Auto seek sensitivity	<20 dBuV
Signal to noise ratio	50 dB @ 60 dBuV signal
Ultimate S/N ratio	>60 dB @ 80 dBuV signal
Distortion	<0.4% @ 60 dBuV signal, 80% modulation
Adjacent channel selectivity	33 dB @ Adjacent channel = 9 kHz offset, 30% modulation. SINAD = 26 dB
Alternate channel selectivity	50 dB @ Alternate channel = 18 kHz offset, 30% modulation. SINAD = 26 dB
FM Tuner	
Tuning range	JPN: 76.0 to 90.0 MHz EU: 87.5 to 108.0 MHz US: 87.9 to 107.9 MHz
Usable sensitivity	28 dBuV = 25 uV
Auto seek sensitivity	-6.5 dBuV = 0.5 uV for 30 dB S/N ratio
Signal to noise ratio	50 dB @ 10 dBuV signal
Ultimate S/N ratio	>70 dB @ 60 dBuV signal
Distortion	<0.1% @ 10 dBuV signal
Adjacent channel selectivity	30 dB @ SINAD = 30 dB, 40 dBuV signal strength. 400 Hz tone, 40 kHz deviation. Adjacent channel = 100 kHz offset, 1 kHz tone, 40 kHz deviation.
Alternate channel selectivity	63 dB @ SINAD = 30 dB, 40 dBuV signal strength. 400 Hz tone, 40 kHz deviation. Adjacent channel = 100 kHz offset, 1 kHz tone, 40 kHz deviation.
Audio Amplifier	
Output per channel	50 W
Total Output	200 W
Signal-to-noise ratio	95 dB
Total harmonic distortion (1W Output, 4 ohm load, 20Hz to 20kHz)	0.04% typical <0.1% max
Power supply requirements	10 to 16 V DC
Current (Muted)	<250 mA
Current (Max)	<20 A
AUX Input/Outputs	
AUX 1 In; SAT IN (AUX 2 In); RCA Output; Subwoofer Out	Line inputs 2 V peak to peak. High level inputs max 6 V, 2 V typical. Video out = PAL and NTSC
Antenna Connection	SonicHub input: Female External cable required: Male
USB/MP3	Industry Standard

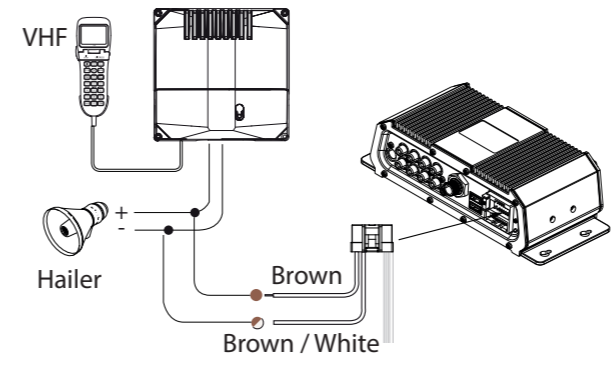
USB Connection



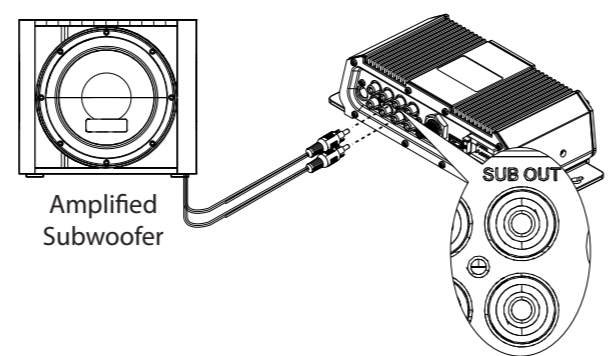
Speaker connection



MIC connection



Subwoofer connection



SAT IN (AUX 2) connection

