

ENGLISH

MM400

CAT



INSTRUCTION MANUAL

Auto-Ranging Digital Multimeter



- DATA HOLD
- AUDIBLE CONTINUITY
- MIN / MAX
- TEMPERATURE
- DIODE TEST
- CAPACITANCE

600V \approx
 10A \approx
 40M Ω



ESPAÑOL pg. 19

FRANÇAIS pg. 37



For Professionals... Since 1857™



Intertek



GENERAL SPECIFICATIONS

Klein Tools MM400 is an auto-ranging multimeter that measures AC/DC voltage, AC/DC current, and resistance. It can also measure temperature, capacitance, frequency, duty-cycle, and test diodes and continuity.

- **Operating Altitude:** 6562 ft. (2000m)
- **Relative Humidity:** <80% non-condensing
- **Operating Temp:** 32°F to 104°F (0°C to 40°C)
- **Storage Temp:** 14°F to 140°F (-10°C to 60°C)
- **Accuracy:** Values stated at 65°F to 83°F (18°C to 28°C)
- **Temp Coefficient:** 0.1 x (Quoted Accuracy) per °C above 28°C or below 18°C, corrections are required when ambient working temp is outside of Accuracy Temp range
- **Dimensions:** 6.04" x 3.07" x 1.78" (153.4 x 78.0 x 45.2 mm)
- **Weight:** 8.1 oz. (230 g)
- **Calibration:** Accurate for one year
- **Standards:** Conforms to: UL STD 61010-1, 61010-2-030, 61010-2-033.

Certified to: CSA STD C22.2 # 61010-1,
61010-2-030, 61010-2-033.
IEC EN 61010-1, 61010-2-030,
61010-2-033, 61326-1.

- **Pollution degree:** 2
- **Accuracy:** ± (% of reading + # of least significant digits)
- **Drop Protection:** 3.3 ft. (1m)
- **Safety Rating:** CAT III 600V, Class 2, Double insulation

***CAT III:** Measurement category III is applicable to test and measuring circuits connected to the distribution part of the building's low-voltage MAINS installation.*

- **Electromagnetic Environment:** IEC EN 61326-1. This equipment meets requirements for use in basic and controlled electromagnetic environments like residential properties, business premises, and light-industrial locations.

Specifications subject to change.

ELECTRICAL SPECIFICATIONS

VOLTAGE (AUTO-RANGING)

Function	Range	Resolution	Accuracy
AC Voltage (V AC)	4.000V	1mV	$\pm(1.2\% + 5 \text{ digits})$
	40.00V	10mV	$\pm(1.5\% + 5 \text{ digits})$
	400.0V	100mV	
	600V	1V	$\pm(2.0\% + 5 \text{ digits})$
DC Voltage (V DC)	400.0mV	0.1mV	$\pm(1.0\% + 8 \text{ digits})$
	4.000V	1mV	$\pm(1.2\% + 3 \text{ digits})$
	40.00V	10mV	
	400.0V	100mV	
	600V	1V	$\pm(1.5\% + 3 \text{ digits})$

Input Impedance: 10M Ω

Frequency Range: 50 to 60Hz

Maximum Input: 600V AC RMS or 600V DC

CURRENT (AUTO-RANGING)

AC Current (μA and mA)	400.0 μ A	0.1 μ A	$\pm(1.5\% + 5 \text{ digits})$
	4000 μ A	1 μ A	$\pm(1.8\% + 5 \text{ digits})$
	40.00mA	10 μ A	
	400.0mA	100 μ A	
	10A	10mA	$\pm(3.0\% + 7 \text{ digits})$
DC Current (μA and mA)	400.0 μ A	0.1 μ A	$\pm(1.0\% + 5 \text{ digits})$
	4000 μ A	1 μ A	$\pm(1.5\% + 5 \text{ digits})$
	40.00mA	10 μ A	
	400.0mA	100 μ A	
	10A	10mA	$\pm(3.0\% + 7 \text{ digits})$

Overload Protection: 500mA / 600V and 10A / 600V Fuses

Frequency Range: 50 to 60Hz

Maximum Input: μ A/mA setting: 500mA AC RMS / DC

10A setting: 10A AC RMS / DC

RESISTANCE (AUTO-RANGING)

Range	Resolution	Accuracy
400.0 Ω	0.1 Ω	$\pm(1.5\% + 5 \text{ digits})$
4.000k Ω	1 Ω	
40.00k Ω	10 Ω	
400.0k Ω	100 Ω	
4.000M Ω	1k Ω	$\pm(2.0\% + 10 \text{ digits})$
40.00M Ω	10k Ω	

Maximum Input: 600V DC or 600V AC RMS

ELECTRICAL SPECIFICATIONS

CAPACITANCE (AUTO-RANGING)

Range	Resolution	Accuracy
40.00nF	10pF	$\pm(5.0\% + 35 \text{ digits})$
400.0nF	0.1nF	$\pm(3.0\% + 5 \text{ digits})$
4.000 μ F	1nF	
40.00 μ F	10nF	
200.0 μ F	0.1 μ F	$\pm(5.0\% + 5 \text{ digits})$

Maximum Input: 600V DC or 600V AC RMS

FREQUENCY (AUTO-RANGING)

9.999Hz	0.001Hz	$\pm(1.5\% + 5 \text{ digits})$
99.99Hz	0.01Hz	
999.9Hz	0.1Hz	$\pm(1.3\% + 5 \text{ digits})$
9.999kHz	1Hz	
50.00kHz	10Hz	

Sensitivity: >8V RMS

Maximum Input: 600V DC or 600V AC RMS

DUTY CYCLE

0.1% to 99.9%	0.1%	$\pm(1.2\% + 2 \text{ digits})$
---------------	------	---------------------------------

Pulse width: >100 μ s, <100ms

Frequency width: 5Hz to 10kHz

Sensitivity: >8V RMS

Maximum Input: 600V DC or 600V AC RMS

TEMPERATURE

0° to 1000°F	0.1°F / 1.0°F	$\pm(3.0\% + 9^\circ\text{F})$
-18° to 538°C	0.1°C / 1.0°C	$\pm(3.0\% + 5^\circ\text{C})$

ELECTRICAL SPECIFICATIONS

- **Diode Test:** 1.5 mA max, open circuit voltage 3.0V DC
- **Continuity Check:** Audible signal $<50\Omega$
- **Sampling Frequency:** 3 samples per second
- **Overload:** "OL" indicated on display, overload protection 600V RMS in all settings
- **Polarity:** "-" on display indicates negative polarity
- **Display:** 3 $\frac{3}{4}$ digit, 4000 Count LCD

WARNINGS

To ensure safe operation and service of the meter, follow these instructions. Failure to observe these warnings can result in severe injury or death.

- Before each use verify meter operation by measuring a known voltage or current.
- Never use the meter on a circuit with voltages that exceed the category based rating of this meter.
- Do not use the meter during electrical storms or in wet weather.
- Do not use the meter or test leads if they appear to be damaged.
- Use only with CAT III or CAT IV rated test leads.
- Ensure meter leads are fully seated, and keep fingers away from the metal probe contacts when making measurements.
- Do not open the meter to replace batteries while the probes are connected.
- Use caution when working with voltages above 25V AC RMS or 60V DC. Such voltages pose a shock hazard.
- To avoid false readings that can lead to electrical shock, replace batteries when a low battery indicator appears.
- Do not attempt to measure resistance or continuity on a live circuit.
- Always adhere to local and national safety codes. Use personal protective equipment to prevent shock and arc blast injury where hazardous live conductors are exposed.

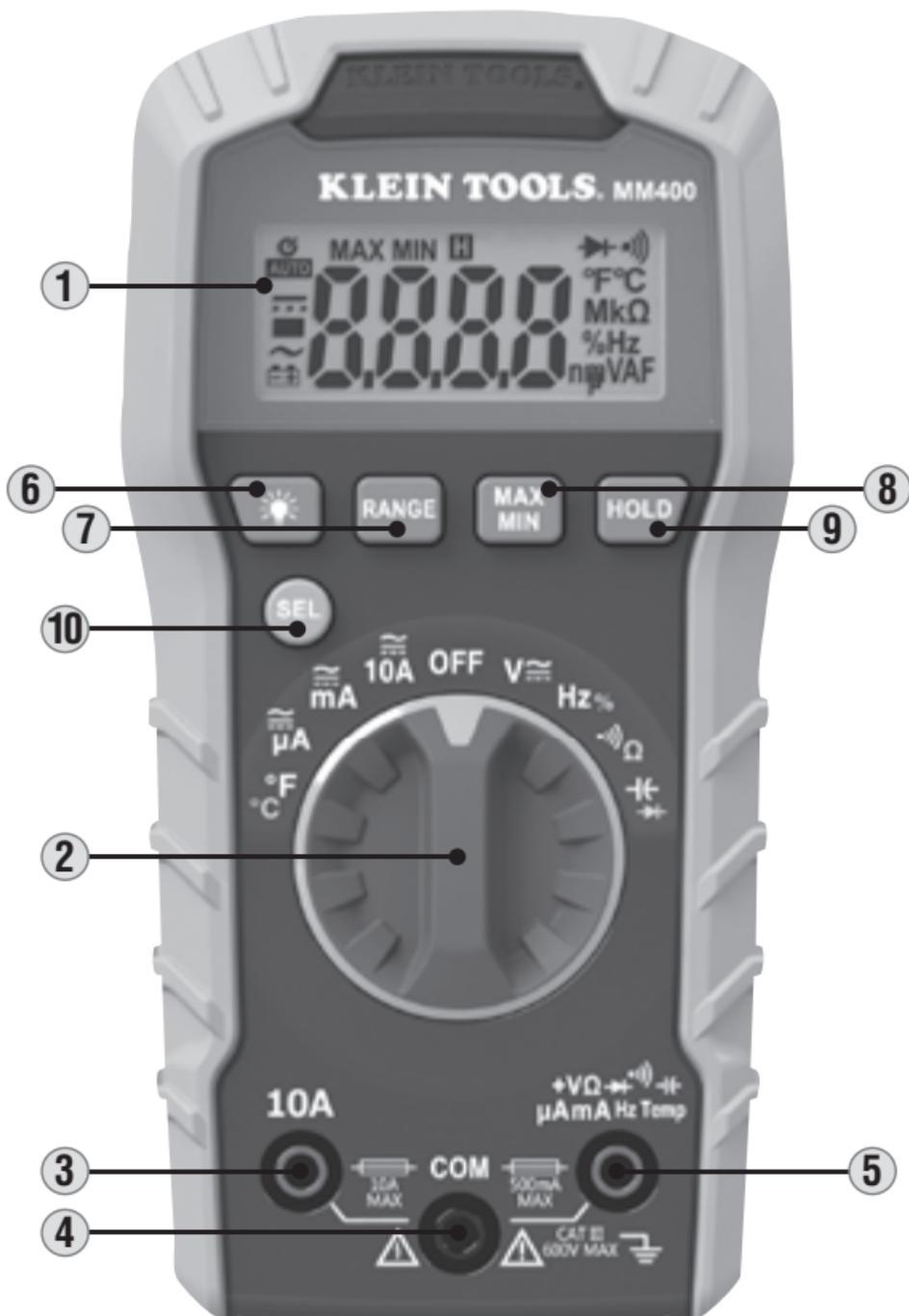
SYMBOLS ON METER

	AC/DC Voltage or Current	Ω	Resistance (in Ohms)
	Audible Continuity		Diode
	Capacitance	Hz	Frequency
%	Duty-cycle		Double Insulated Class II
°F/°C	Temperature (Fahrenheit / Celsius)		Ground
	Fuse (with rating below symbol)		
	Warning or Caution <i>To ensure safe operation and service of this meter, follow all warnings and instructions detailed in this manual.</i>		
	Risk of Electrical Shock <i>Improper use of this meter can lead to risk of electrical shock. Follow all warnings and instructions detailed in this manual.</i>		

SYMBOLS ON LCD

H	Data Hold		Audible Continuity
	Diode	AUTO	Auto Ranging
	AC (Alternating Current)		DC (Direct Current)
	Low Battery		Auto Power Off
MAX	Maximum Value	MIN	Minimum Value
°F	Degrees Fahrenheit	°C	Degrees Celsius
M	Mega (value x 10 ⁶)	k	kilo (value x 10 ³)
m	mili (value x 10 ⁻³)	μ	micro (value x 10 ⁻⁶)
n	nano (value x 10 ⁻⁹)	V	Volts
A	Amps	F	Farads
Ω	Ohms	Hz	Hertz (Frequency)
%	Duty-Cycle		

FEATURE DETAILS



NOTE: *There are no user-serviceable parts inside meter.*

- | | |
|-----------------------------|------------------------------|
| 1. 4000 count LCD display | 6. Backlight ON/OFF button |
| 2. Function selector switch | 7. "RANGE" button |
| 3. "10A" jack | 8. "MAX/MIN" button |
| 4. "COM" jack | 9. "HOLD" (Data Hold) button |
| 5. "VΩ" jack | 10. "SEL" (Select) button |

FUNCTION BUTTONS

ON/OFF

To Power ON the meter rotate the Function Selector switch ② from the OFF setting to any measurement setting. To Power OFF the meter rotate the Function Selector switch ② to the OFF setting. By default, the meter will automatically Power OFF after 30 minutes of inactivity. Reactivate meter by pressing any button. To deactivate the automatic Power OFF feature, power the meter ON with the SEL button ⑪ depressed. When automatic Power OFF is deactivated, the  symbol will not be visible in the display.

"SEL" (SELECT) BUTTON (FOR SECONDARY FUNCTIONS)

The "SEL" button ⑩ activates the secondary function for each application accessible by the function selector switch ②. For current and voltage, it toggles between AC and DC. For the other functions, it switches between °F and °C, between Hz and % Duty-cycle, between Continuity and Resistance, and between Capacitance and Diode-test. The default function for each application is printed on the meter in white; the secondary function for each location is printed on the meter in orange.

"HOLD" (DATA HOLD) BUTTON

Press the "HOLD" button ⑨ to hold the measurement on the display. Press again to release the display and return to live measuring.

"RANGE" BUTTON

The meter defaults to auto-ranging measurement mode **AUTO**. This automatically determines the most appropriate measurement range for the testing that is being conducted. To manually force the meter to measure in a different range, use the "RANGE" button ⑦.

1. Press the "RANGE" button ⑦ to manually select measurement range (**AUTO** is deactivated on the LCD). Repeatedly press the "RANGE" button ⑦ to cycle through the available ranges, stopping once the desired range is reached.
2. To return to auto-ranging mode, press and hold the "RANGE" button ⑦ for more than one second (**AUTO** is reactivated).

"MAX/MIN" BUTTON

When the "MAX/MIN" button ⑧ is pressed, the meter keeps track of the minimum and maximum value of the measurement as the meter continues to take samples. The first press of the "MAX/MIN" button ⑧ displays the Max value, the second press displays the Min value.

To return to normal measuring mode, press and hold the "MAX/MIN" button ⑧ for more than one second.

BACKLIGHT BUTTON

Press and hold the backlight button ⑥ for more than one second to turn the backlight on or off. Backlight automatically turns off after approximately 3 minutes.

OPERATING INSTRUCTIONS

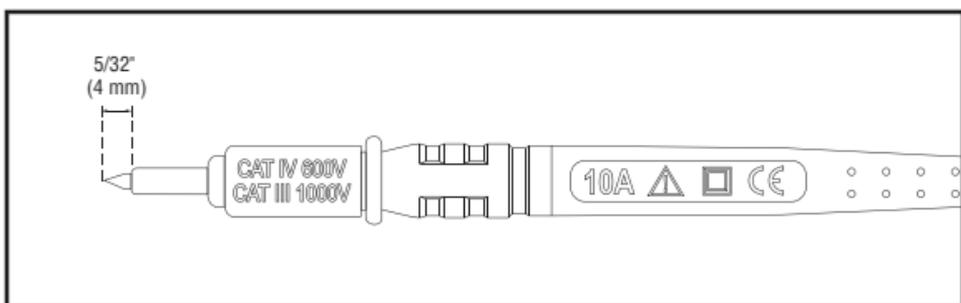
CONNECTING TEST LEADS

Do not test if leads are improperly seated. Results could cause intermittent display readings. To ensure proper connection, firmly press leads into the input jack completely.



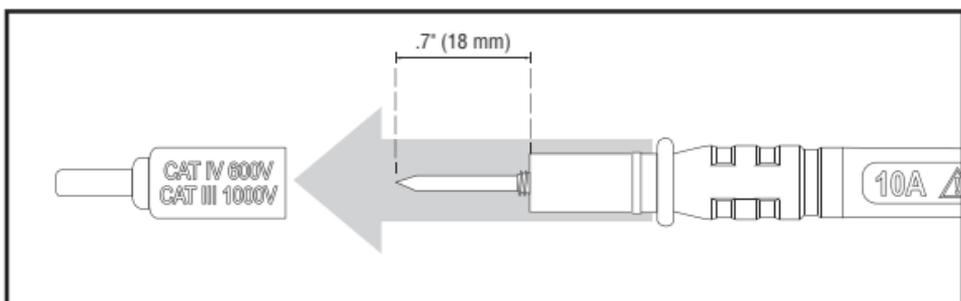
TESTING IN CAT III / CAT IV MEASUREMENT LOCATIONS

Ensure the test lead shield is pressed firmly in place. Failure to use the CAT III / CAT IV shield increases arc-flash risk.



TESTING IN CAT II MEASUREMENT LOCATIONS

CAT III / CAT IV shields may be removed for CAT II locations. This will allow testing on recessed conductors such as standard wall outlets. Take care not to lose the shields.



OPERATING INSTRUCTIONS

AC/DC VOLTAGE (LESS THAN 600V)

1. Insert RED test lead into V Ω jack ⑤, and BLACK test lead into COM jack ④, and rotate function selector switch ② the V \approx setting.

NOTE: The meter defaults to AC measurement. Press the "SEL" button ⑩ to toggle between AC and DC modes. The AC \sim or DC --- icon on the LCD indicates which mode is selected.



2. Apply test leads to the circuit to be tested to measure voltage. The meter will auto-range to display the measurement in the most appropriate range.

NOTE: If "-" appears on the LCD, the test leads are being applied to the circuit in reverse polarity. Swap the position of the leads to correct this.

NOTE: When in a voltage setting and the test leads are open, readings of order mV may appear on the display. This is noise and is normal. By touching the test leads together to close the circuit the meter will measure zero volts.

OPERATING INSTRUCTIONS

AC/DC CURRENT

NOTE: The meter defaults to AC measurement. Press the "SEL" button ⑩ to toggle between AC and DC modes. The AC or DC icon on the LCD indicates which mode is selected.

1. Attach test leads to the appropriate jacks and rotate function selector switch ② to the appropriate setting as follows:

- **For AC/DC currents >400mA and <10A:** Insert RED test lead into 10A jack ③, and BLACK test lead into COM jack ④, and rotate function selector switch ② to the 10A AC/DC \approx_{10A} setting.



Red lead Black lead



- **For mA AC/DC currents <400mA:** Insert RED test lead into VΩ jack ⑤, and BLACK test lead into COM jack ④, and rotate function selector switch ② to the mA AC/DC \approx_{mA} setting.



Black lead Red lead



- **For μA DC currents <400μA:** Insert RED test lead into VΩ jack ⑤, and BLACK test lead into COM jack ④, and rotate function selector switch ② to the μA AC/DC $\approx_{\mu A}$ setting.



Black lead Red lead



OPERATING INSTRUCTIONS

- To measure current: Remove power from circuit, open circuit at measurement point, connect meter in-series in the circuit using the test leads, and apply power to circuit.
- Measure the current. The meter will auto-range to display the measurement in the most appropriate range.

⚠ Do not attempt to measure more than 10A.

⚠ When measuring currents greater than 6A, a measurement time of 30 seconds followed by 10 minutes of recovery time is recommended.

RESISTANCE MEASUREMENTS

- Insert RED test lead into V Ω jack **5**, and BLACK test lead into COM jack **4**, and rotate function selector switch **2** to the Continuity/Resistance **Ω** setting.

NOTE: The meter defaults to Continuity testing in this mode. To enter Resistance testing mode, press the "SEL" button **10** once. The Resistance icon Ω will appear on the display.

- Remove power from circuit.
- Measure resistance by connecting test leads to circuit. The meter will auto-range to display the measurement in the most appropriate range.



NOTE: When in a Resistance setting and the test leads are open (not connected across a resistor), or when a failed resistor is under test, the display will indicate O.L. This is normal.

⚠ DO NOT attempt to measure resistance on a live circuit.

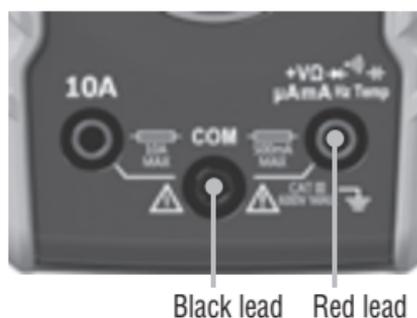
OPERATING INSTRUCTIONS

CONTINUITY

1. Insert RED test lead into V Ω jack (5), and BLACK test lead into COM jack (4), and rotate function selector switch (2) to the Continuity/Resistance Ω setting.

NOTE: The meter defaults to Continuity testing in this mode. Ensure that the Continuity Testing icon $\bullet\))$ is visible on the display. If not, press the "SEL" button (10) once.

2. Remove power from circuit.
3. Test for continuity by connecting conductor or circuit with test leads. If resistance is measured less than 50 Ω , an audible signal will sound and display will show a resistance value indicating continuity. If circuit is open, display will show "OL".



⚠ DO NOT attempt to measure continuity on a live circuit.

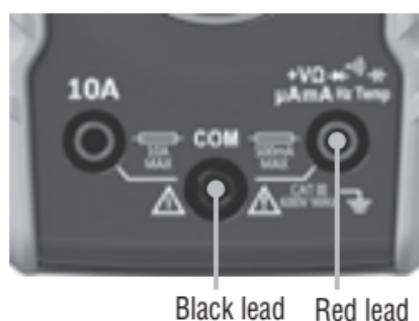
OPERATING INSTRUCTIONS

CAPACITANCE

1. Insert RED test lead into V Ω jack (5), and BLACK test lead into COM jack (4), and rotate function selector switch (2) to the Capacitance/Diode $\rightarrow|+$ setting.

NOTE: The meter defaults to Capacitance testing in this mode. Ensure that the display reads "0 nF" with test leads open. If not, press the "SEL" button (10) once.

2. Remove power from circuit.
3. Measure capacitance by connecting test leads across the capacitor. The meter will auto-range to display the measurement in the most appropriate range.



DIODE TEST

1. Insert RED test lead into V Ω jack (5), and BLACK test lead into COM jack (4), and rotate function selector switch (2) to the Capacitance/Diode $\rightarrow|+$ setting.

NOTE: The meter defaults to Capacitance testing in this mode. To enter Diode testing mode, press the "SEL" button (10) once. The Diode icon $\rightarrow|+$ will appear on the display.

2. Touch test leads to diode. A reading of 200-700mV on display indicates forward bias, "OL" indicates reverse bias. An open device will show "OL" in both polarities. A shorted device will show approximately 0mV.



OPERATING INSTRUCTIONS

FREQUENCY / DUTY-CYCLE

1. Insert RED test lead into V Ω jack ⑤ and BLACK test lead into COM jack ④, and rotate function selector switch ② to the Frequency/Duty-Cycle Hz% setting.

NOTE: The meter defaults to Frequency testing in this mode. To enter Duty-Cycle testing mode, press the "SEL" button ⑩ once. Ensure that the appropriate icon (either Hz or %) appears on the display.

2. Measure by connecting test leads across the circuit.

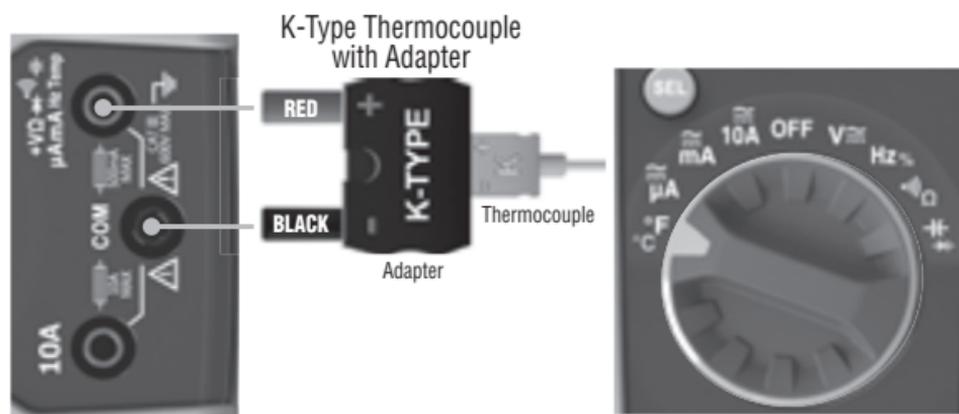


TEMPERATURE

1. Insert K-type thermocouple into the V Ω ⑤ and COM ④ jacks, and rotate function selector switch ② to the Temperature °C/F setting.

NOTE: The meter defaults to Fahrenheit scale in this mode. To enter Celsius scale, press the "SEL" button ⑩ once. Ensure that the appropriate icon (either °F or °C) appears on the display. Default temperature scale may be changed by powering on the meter with the "HOLD" button ⑨ depressed.

2. To measure temperature, make contact between the thermocouple tip and the object being measured. When thermocouple tip and object are in thermal equilibrium, the measurement on the display will stabilize. The meter will auto-range to display the measurement in the most appropriate range.



⚠ **Remove thermocouple before switching meter to other measurement functions.**

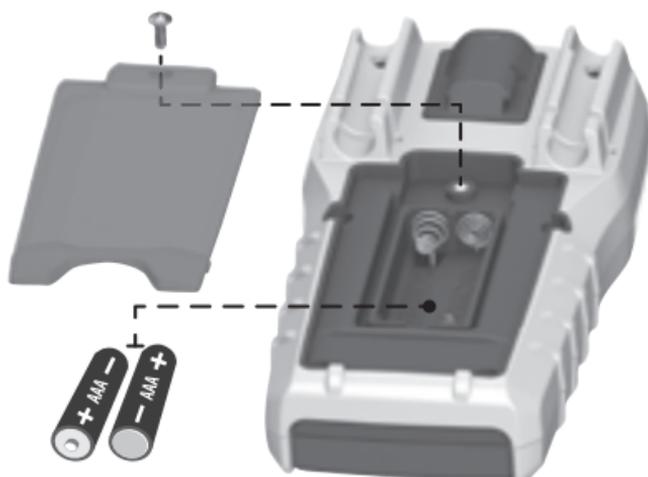
⚠ **The thermocouple included with the original purchase is suitable for temperatures below 356°F / 180°C only. To measure higher temperatures, a K-type thermocouple with the appropriate measurement range should be used.**

MAINTENANCE

BATTERY REPLACEMENT

When  indicator is displayed on LCD, batteries must be replaced.

1. Remove screw from battery door.
2. Replace 2 x AAA batteries (note proper polarity).
3. Replace battery door and fasten securely with screw.



 *To avoid risk of electric shock, disconnect leads from any voltage source before removing battery door.*

 *To avoid risk of electric shock, do not operate meter while battery door is removed.*

FUSE REPLACEMENT

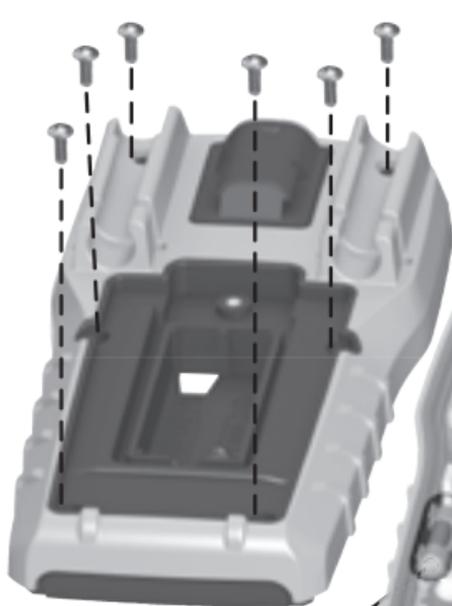
A fuse may blow if more than 500mA is applied to the $V\Omega$ jack , or more than 10A is applied to the 10A jack . To access fuses:

1. Remove 6 screws from back of meter and remove back housing.
2. Replace blown fuse(s) with:

$V\Omega$ ($\mu A/mA$) jack : 500mA/600V fast-blow (Klein Cat. No. 69033)

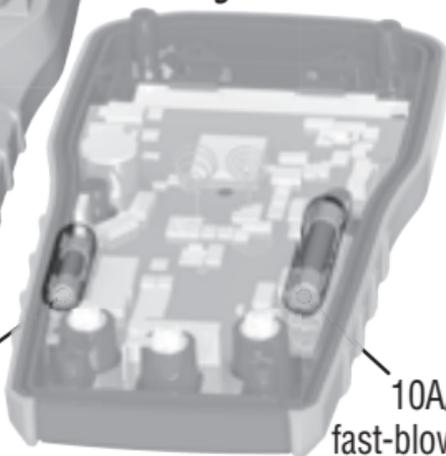
10A jack : 10A/600V fast-blow (Klein Cat. No. 69032)

3. Replace back housing and fasten securely with screws.



 *To avoid risk of electric shock, disconnect leads from any voltage source before accessing fuses.*

 *To avoid risk of electric shock, do not operate meter while back housing is removed.*



500mA/600V
fast-blow fuse
(Klein Cat. No. 69033)

10A/600V
fast-blow fuse
(Klein Cat. No. 69032)

CLEANING

Be sure meter is turned off and wipe with a clean, dry lint-free cloth. ***Do not use abrasive cleaners or solvents.***

STORAGE

Remove the batteries when meter is not in use for a prolonged period of time. Do not expose to high temperatures or humidity. After a period of storage in extreme conditions exceeding the limits mentioned in the General Specifications section, allow the meter to return to normal operating conditions before using.

WARRANTY

www.kleintools.com/warranty

DISPOSAL / RECYCLE



Do not place equipment and its accessories in the trash. Items must be properly disposed of in accordance with local regulations. Please see www.epa.gov or www.ecycle.org for additional information.

CUSTOMER SERVICE

KLEIN TOOLS, INC.

450 Bond Street
Lincolnshire, IL 60069
1-877-775-5346

customerservice@kleintools.com
www.kleintools.com

ESPAÑOL

MM400

CAT



MANUAL DE INSTRUCCIONES

Multímetro digital
de rango automático



- RETENCIÓN DE DATOS
- CONTINUIDAD POR INDICADOR AUDIBLE
- MÍN./MÁX.
- TEMPERATURA
- PRUEBA DE DIODO
- CAPACITANCIA

600 V \approx

10 A \approx

40 M Ω



KLEIN TOOLS



For Professionals... Since 1857™



ESPECIFICACIONES GENERALES

Klein Tools MM400 es un multímetro de rango automático que mide voltaje CA/CD, corriente CA/CD y resistencia. También sirve para medir temperatura, capacitancia, frecuencia y ciclo de servicio, y para probar diodos y continuidad.

- **Altitud de funcionamiento:** 6562 pies (2000 m)
- **Humedad relativa:** < 80 % sin condensación
- **Temperatura de operación:** 32 °F a 104 °F (0 °C a 40 °C)
- **Temperatura de almacenamiento:** 14 °F a 140 °F
(-10 °C a 60 °C)
- **Precisión:** valores establecidos según una temperatura ambiente de 65 °F a 83 °F (18 °C a 28 °C)
- **Coeficiente de temperatura:** 0,1 × (precisión indicada) por cada °C por encima de los 28 °C o por debajo de los 18 °C, es necesario realizar correcciones si la temperatura del ambiente de trabajo se encuentra fuera del rango de precisión de temperatura
- **Dimensiones:** 6,04" × 3,07" × 1,78"
(153,4 mm × 78,0 mm × 45,2 mm)
- **Peso:** 8,1 oz (230 g)
- **Calibración:** precisa durante un año
- **Normas:** Cumple con: UL STD 61010-1, 61010-2-030, 61010-2-033.

Certificado según las normas:

CSA C22.2 STD N.º 61010-1,
61010-2-030, 61010-2-033.

IEC EN 61010-1, 61010-2-030,
61010-2-033, 61326-1.

- **Grado de contaminación:** 2
- **Precisión:** ± (% de lectura + cantidad de dígitos menos significativos)
- **Protección ante caídas:** 3,3 pies (1 m)
- **Clasificación de seguridad:** CAT III 600 V, clase 2, doble aislamiento

***CAT III:** La categoría III de medición es aplicable a los circuitos de medición y prueba conectados a la distribución de la instalación de suministro eléctrico de un edificio.*

- **Entorno electromagnético:** IEC EN 61326-1. Este equipo cumple con los requisitos apropiados para su uso en entornos electromagnéticos básicos y controlados como propiedades residenciales, establecimientos comerciales e instalaciones de industria ligera.

Especificaciones sujetas a cambios.

ESPECIFICACIONES ELÉCTRICAS

VOLTAJE (RANGO AUTOMÁTICO)

Función	Rango	Resolución	Precisión
Voltaje CA (V CA)	4,000 V	1 mV	± (1,2 % + 5 dígitos)
	40,00 V	10 mV	± (1,5 % + 5 dígitos)
	400,0 V	100 mV	
	600 V	1 V	± (2,0 % + 5 dígitos)
Voltaje CD (V CD)	400,0 mV	0,1 mV	± (1,0 % + 8 dígitos)
	4,000 V	1 mV	± (1,2 % + 3 dígitos)
	40,00 V	10 mV	
	400,0 V	100 mV	
	600 V	1 V	± (1,5 % + 3 dígitos)

Impedancia de entrada: 10 MΩ

Intervalo de frecuencia: 50 Hz a 60 Hz

Entrada máxima: 600 V CA RMS o 600 V CD

CORRIENTE (RANGO AUTOMÁTICO)

Corriente CA (μA y mA)	400,0 μA	0,1 μA	± (1,5 % + 5 dígitos)
	4000 μA	1 μA	± (1,8 % + 5 dígitos)
	40,00 mA	10 μA	
	400,0 mA	100 μA	
	10 A	10 mA	± (3,0 % + 7 dígitos)
Corriente CD (μA y mA)	400,0 μA	0,1 μA	± (1,0 % + 5 dígitos)
	4000 μA	1 μA	± (1,5 % + 5 dígitos)
	40,00 mA	10 μA	
	400,0 mA	100 μA	
	10 A	10 mA	± (3,0 % + 7 dígitos)

Protección contra sobrecarga: Fusibles de 500 mA/600 V y 10 A/600 V

Intervalo de frecuencia: 50 Hz a 60 Hz

Entrada máxima: en la posición μA/mA: 500 mA CA RMS/CD
en la posición 10A: 10 A CA RMS/CD

RESISTENCIA (RANGO AUTOMÁTICO)

400,0 Ω	0,1 Ω	± (1,5 % + 5 dígitos)
4,000 kΩ	1 Ω	
40,00 kΩ	10 Ω	
400,0 kΩ	100 Ω	
4,000 MΩ	1 kΩ	± (2,0 % + 10 dígitos)
40,00 MΩ	10 kΩ	

Entrada máxima: 600 V CD o 600 V CA RMS

ESPECIFICACIONES ELÉCTRICAS

CAPACITANCIA (RANGO AUTOMÁTICO)

Rango	Resolución	Precisión
40,00 nF	10 pF	± (5,0 % + 35 dígitos)
400,0 nF	0,1 nF	± (3,0 % + 5 dígitos)
4,000 µF	1 nF	
40,00 µF	10 nF	
200,0 µF	0,1 µF	± (5,0 % + 5 dígitos)

Entrada máxima: 600 V CD o 600 V CA RMS

FRECUENCIA (RANGO AUTOMÁTICO)

9,999 Hz	0,001Hz	± (1,5 % + 5 dígitos)
99,99 Hz	0,01 Hz	
999,9 Hz	0,1 Hz	± (1,3 % + 5 dígitos)
9,999 kHz	1 Hz	
50,00 kHz	10 Hz	

Sensibilidad: > 8 V RMS

Entrada máxima: 600 V CD o 600 V CA RMS

CICLO DE SERVICIO

0,1 % a 99,9 %	0,1 %	± (1,2 % + 2 dígitos)
----------------	-------	-----------------------

Ancho de pulso: > 100 us, < 100 ms

Ancho de frecuencia: 5 Hz a 10 kHz

Sensibilidad: > 8 V RMS

Entrada máxima: 600 V CD o 600 V CA RMS

TEMPERATURA

0 °F a 1000 °F	0,1 °F/1,0 °F	± (3,0 % + 9 °F)
-18 °C a 538 °C	0,1 °C/1,0 °C	± (3,0 % + 5 °C)

ESPECIFICACIONES ELÉCTRICAS

- **Prueba de diodo:** 1,5 mA máx., 3,0 V CD de voltaje de circuito abierto
- **Verificación de continuidad:** señal audible < 50 Ω
- **Frecuencia de muestreo:** 3 muestras por segundo
- **Sobrecarga:** se indica "OL" en pantalla, protección contra sobrecarga de 600 V RMS en todas las posiciones
- **Polaridad:** "-" en pantalla indica polaridad negativa
- **Pantalla:** LCD de 3 3/4 dígitos con recuento de 4000

ADVERTENCIAS

Para garantizar un funcionamiento y servicio seguros del multímetro, siga estas instrucciones. El incumplimiento de estas advertencias puede provocar lesiones graves o la muerte.

- Antes de cada uso, verifique el funcionamiento del multímetro midiendo un voltaje o corriente conocidos.
- Nunca debe utilizar este multímetro en un circuito con voltajes que excedan la clasificación basada en categorías del multímetro.
- No utilice el multímetro durante tormentas eléctricas o en clima húmedo.
- No utilice el multímetro o los cables de prueba si en apariencia están dañados.
- Utilice el multímetro con cables de prueba con clasificación CAT III o CAT IV únicamente.
- Asegúrese de que los cables del multímetro estén correctamente colocados y mantenga los dedos lejos de los contactos de la sonda de metal al realizar las mediciones.
- No abra el multímetro para reemplazar las baterías mientras las sondas están conectadas.
- Proceda con precaución cuando trabaje con voltajes superiores a 25 V CA RMS o 60 V CD. Esos voltajes implican un riesgo de descarga.
- Para evitar lecturas falsas que puedan provocar descarga eléctrica, reemplace las baterías cuando aparezca el indicador de batería baja.
- No intente medir resistencia o continuidad en un circuito activo.
- Cumpla siempre con los códigos de seguridad locales y nacionales. Utilice equipo de protección personal para prevenir lesiones por descarga y arco eléctrico en los lugares donde haya conductores activos peligrosos expuestos.

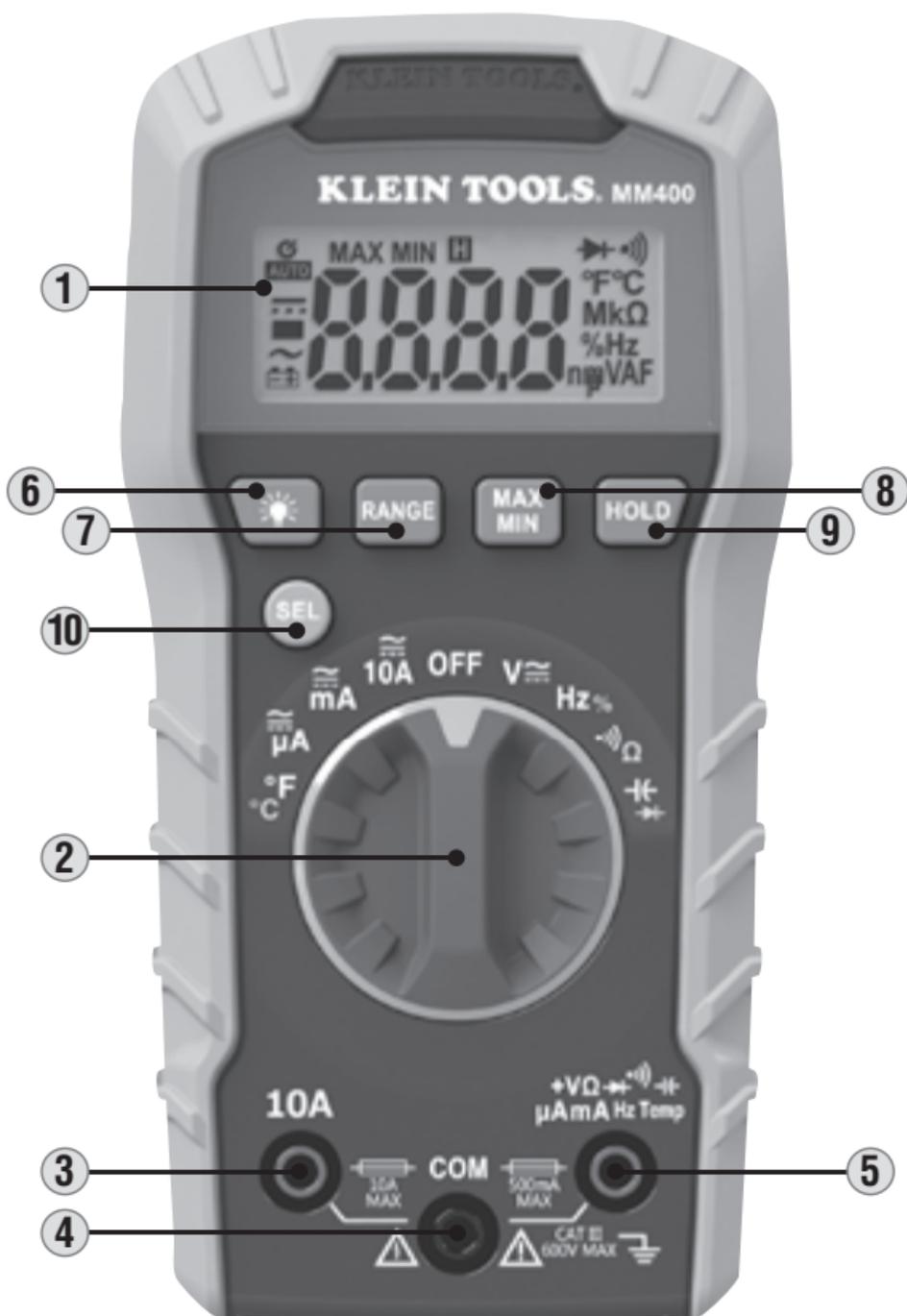
SÍMBOLOS DEL MULTÍMETRO

	Voltaje o corriente CA/CD		Resistencia (en ohmios)
	Continuidad por indicador audible		Diodo
	Capacitancia	Hz	Frecuencia
%	Ciclo de servicio		Doble aislamiento Clase II
°F/°C	Temperatura (Fahrenheit/Celsius)		Conexión a tierra
	Fusible (con su clasificación debajo del símbolo)		
	Advertencia o precaución		
	<i>Para garantizar un funcionamiento y servicio seguros del multímetro, respete todas las advertencias y siga las instrucciones descritas en este manual.</i>		
	Riesgo de choque eléctrico		
	<i>El uso incorrecto de este multímetro puede dar lugar a riesgos de choque eléctrico. Respete todas las advertencias y siga las instrucciones descritas en este manual.</i>		

SÍMBOLOS DE LA PANTALLA LCD

	Retención de datos		Continuidad por indicador audible
	Diodo	AUTO	Rango automático
	CA (corriente alterna)		CD (corriente directa)
	Batería baja		Apagado automático
MAX	Valor máximo	MIN	Valor mínimo
°F	Grados Fahrenheit	°C	Grados Celsius
M	Mega (valor $\times 10^6$)	k	kilo (valor $\times 10^3$)
m	mili (valor $\times 10^{-3}$)	μ	micro (valor $\times 10^{-6}$)
n	nano (valor $\times 10^{-9}$)	V	Voltios
A	Amperios	F	Faradios
Ω	Ohmios	Hz	Hercios (frecuencia)
%	Ciclo de servicio		

DETALLES DE LAS CARACTERÍSTICAS



NOTA: El multímetro no contiene en su interior piezas que el usuario pueda reparar.

- | | |
|--------------------------------------|--|
| 1. Pantalla LCD con recuento de 4000 | 6. Botón de encendido y apagado de la retroiluminación |
| 2. Perilla selectora de función | 7. Botón "RANGE" ("RANGO") |
| 3. Conector "10A" | 8. Botón "MAX/MIN" (MÁXIMO/MÍNIMO) |
| 4. Conector "COM" ("COMUNICACIÓN") | 9. Botón "HOLD" ("RETENCIÓN DE DATOS") |
| 5. Conector "VΩ" | 10. Botón "SEL" ("SELECCIONAR") |

BOTONES DE FUNCIONES

ENCENDIDO/APAGADO

Para encender el multímetro, gire la perilla selectora de función **2** de la posición OFF (APAGADO) a cualquier posición de medición. Para apagar el multímetro, gire la perilla selectora de función **2** a la posición OFF (APAGADO). De forma predeterminada, el multímetro se apagará automáticamente después de 30 minutos de inactividad, puede reactivarlo presionando cualquier botón. Para desactivar la función de apagado automático, encienda el multímetro manteniendo el botón "SEL" ("SELECCIONAR") **11** presionado. Al desactivar la función de apagado automático, el símbolo  no se visualiza en la pantalla.

Cuando la perilla selectora de función se gira a la posición de medición, la palabra "LEAD" ("CABLE") parpadea en la pantalla para recordarle que debe verificar que los cables de prueba estén insertados en los conectores apropiados.

BOTÓN "SEL" ("SELECCIONAR") (PARA FUNCIONES SECUNDARIAS)

El botón "SEL" ("SELECCIONAR") **10** sirve para activar la función secundaria de cada aplicación a la que se accede con la perilla selectora de función **2**. En el caso de corriente y voltaje, alterna entre CA y CD. En el caso de las demás funciones, alterna entre °F y °C, Hz y % de ciclo de servicio, continuidad y resistencia, y capacitancia y prueba de diodo. La función predeterminada de cada aplicación está impresa en el multímetro en color blanco, y la función secundaria de cada parámetro, en color naranja.

BOTÓN "HOLD" ("RETENCIÓN DE DATOS")

Presione el botón "HOLD" ("RETENER") **9** para retener la medición en la pantalla. Vuelva a presionarlo para que la pantalla regrese a la medición en curso.

BOTÓN "RANGE" ("RANGO")

El modo de medición predeterminado del multímetro es el de rango automático **AUTO**. Este modo determina automáticamente el rango de medición más adecuado para la prueba que se está realizando. Para que el multímetro mida en un rango diferente, utilice el botón "RANGE" ("RANGO") **7**.

1. Presione el botón "RANGE" ("RANGO") **7** para seleccionar manualmente el rango de medición (**AUTO** desaparece de la pantalla LCD). Presione el botón "RANGE" ("RANGO") **7** varias veces para recorrer los rangos disponibles y deténgase en el rango deseado.
2. Para volver al modo de rango automático, mantenga presionado el botón "RANGE" ("RANGO") **7** durante más de un segundo (**AUTO** vuelve a aparecer en la pantalla).

BOTÓN "MAX/MIN" ("MÁXIMO/MÍNIMO")

Cuando se presiona el botón "MAX/MIN" ("MÁXIMO/MÍNIMO") **8**, el multímetro registra los valores mínimo y máximo de la medición mientras toma las muestras. Si se presiona una vez el botón "MAX/MIN" ("MÁXIMO/MÍNIMO") **8**, se mostrará en pantalla el valor máximo; si se lo presiona una segunda vez, se visualizará el valor mínimo.

Para volver al modo de medición normal, mantenga presionado el botón "MAX/MIN" ("MÁXIMO/MÍNIMO") **8** durante más de un segundo.

BOTÓN DE RETROILUMINACIÓN

Mantenga presionado el botón de retroiluminación **6** durante más de un segundo para encender o apagar la retroiluminación. La retroiluminación se apagará automáticamente al cabo de aproximadamente 3 minutos.

INSTRUCCIONES DE OPERACIÓN

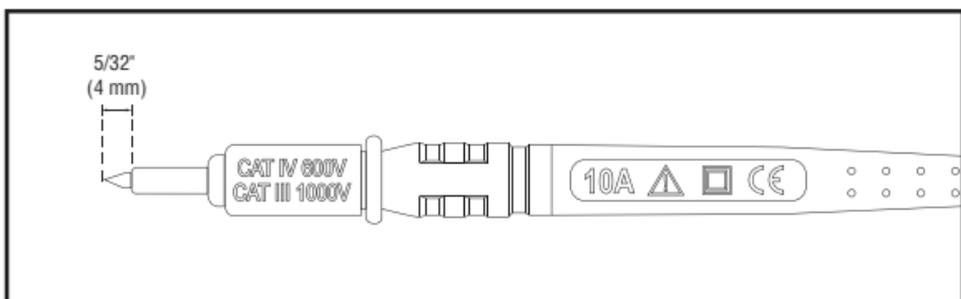
CONEXIÓN DE LOS CABLES DE PRUEBA

No realice pruebas si los cables no están bien conectados. Los resultados podrían generar lecturas intermitentes en pantalla. Para garantizar una buena conexión, presione los cables firmemente en el conector de entrada hasta el final.



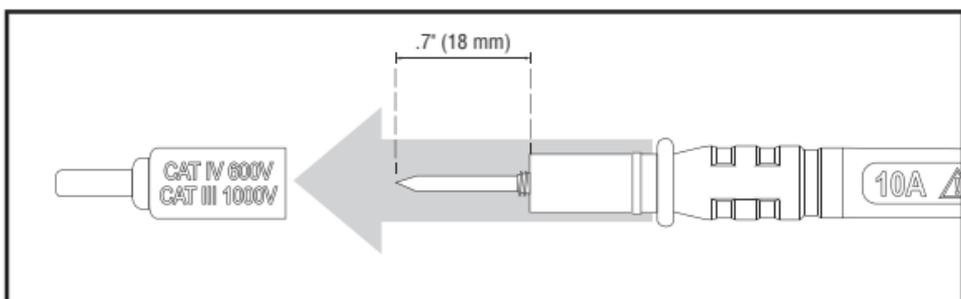
PRUEBAS EN PUNTOS DE MEDICIÓN CON CLASIFICACIÓN CAT III/CAT IV

Asegúrese de que el blindaje del cable de prueba esté firmemente colocado en su lugar. No utilizar el blindaje CAT III/CAT IV aumenta el riesgo de que se produzca un arco eléctrico.



PRUEBAS EN PUNTOS DE MEDICIÓN CON CLASIFICACIÓN CAT II

Es posible retirar los blindajes CAT III/CAT IV para realizar mediciones en puntos con clasificación CAT II. Esto permite efectuar pruebas en conductores empotrados, como tomacorrientes de pared estándar. Procure no perder los blindajes.

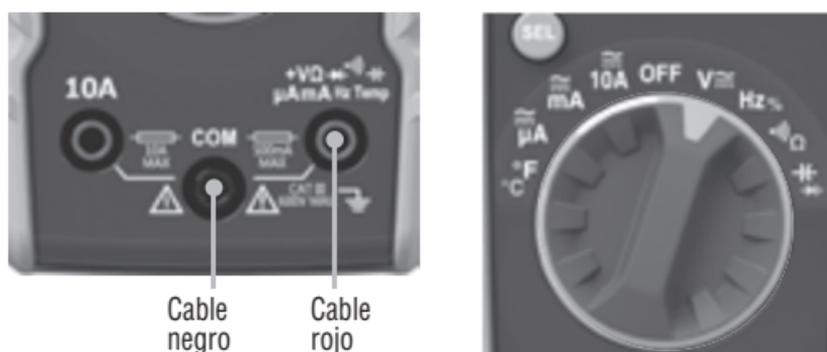


INSTRUCCIONES DE OPERACIÓN

VOLTAJE CA/CD (MENOS DE 600 V)

1. Inserte el cable de prueba ROJO en el conector $V\Omega$ (5) y el cable de prueba NEGRO en el conector COM (4), y gire la perilla selectora de función (2) a la posición $V \approx$.

NOTA: El valor predeterminado de la función de medición de voltaje del multímetro es CA. Presione el botón "SEL" (10) para alternar entre los modos CA y CD. El icono de CA \sim o de CD \approx que aparece en la pantalla LCD indica el modo seleccionado.



2. Aplique los cables de prueba al circuito que se probará para medir el voltaje. El multímetro seleccionará automáticamente un rango para mostrar la medición en el rango más adecuado.

NOTA: Si en la pantalla LCD se visualiza "-", los cables de prueba se están aplicando al circuito con la polaridad inversa. Invierta la posición de los cables para solucionar el problema.

NOTA: Cuando el multímetro está en la posición de medir voltaje y los cables de prueba están en circuito abierto, es posible que se visualicen lecturas del tipo mV en la pantalla. Esto es ruido y es normal. Al juntar los cables de prueba para cerrar el circuito, la lectura del multímetro será de cero voltios.

INSTRUCCIONES DE OPERACIÓN

CORRIENTE CA/CD

NOTA: El valor predeterminado de la función de medición de voltaje del multímetro es CA. Presione el botón "SEL" ⑩ para alternar entre los modos CA y CD. El icono de CA o de CD que aparece en la pantalla indica el modo seleccionado.

1. Enchufe los cables de prueba en los conectores correspondientes y gire la perilla selectora de función ② a la posición adecuada, como se indica a continuación:

- **Para medir corrientes AC/DC > 400 mA y < 10 A:** Inserte el cable de prueba ROJO en el conector 10A ③ y el cable de prueba NEGRO en el conector COM ④, y gire la perilla selectora de función ② a la posición de 10 A CA/CD \approx 10A.



Cable rojo

Cable negro



- **Para medir corrientes CA/CD < 400 mA:** Inserte el cable de prueba ROJO en el conector VΩ ⑤ y el cable de prueba NEGRO en el conector COM ④, y gire la perilla selectora de función ② a la posición de mA CA/CD \approx mA.



Cable negro

Cable rojo



- **Para medir corrientes μ A CD < 400 μ A:** Inserte el cable de prueba ROJO en el conector VΩ ⑤ y el cable de prueba NEGRO en el conector COM ④, y gire la perilla selectora de función ② a la posición de μ A CA/CD \approx μ A.



Cable negro

Cable rojo



INSTRUCCIONES DE OPERACIÓN

- Para medir la corriente realice lo siguiente: Desconecte la energía del circuito, abra el circuito en el punto de medición, conecte el multímetro en serie en el circuito utilizando los cables de prueba y suministre energía al circuito.
- Mida la corriente. El multímetro seleccionará automáticamente un rango para mostrar la medición en el rango más adecuado.

⚠ No intente medir más de 10 A.

⚠ Cuando realice mediciones de corriente de valores mayores que 6 A, se recomienda utilizar un tiempo de medición de 30 segundos seguido de otros 10 minutos de tiempo de recuperación.

MEDICIÓN DE RESISTENCIA

- Inserte el cable de prueba ROJO en el conector V Ω ⑤ y el cable de prueba NEGRO en el conector COM ④, y gire la perilla selectora de función ② a la posición de continuidad/resistencia Ω .

NOTA: La función predeterminada del multímetro en este modo es la prueba de continuidad. Para ingresar al modo de prueba de resistencia, presione el botón "SEL" ⑩ una vez.

El icono de resistencia Ω aparecerá en la pantalla.

- Desconecte la energía del circuito.
- Mida la resistencia conectando los cables de prueba al circuito. El multímetro seleccionará automáticamente un rango para mostrar la medición en el rango más adecuado.



Cable negro
Cable rojo



NOTA: Cuando el multímetro está en la posición de medir resistencia y los cables de prueba están en circuito abierto (no conectados a través de un resistor), o cuando se está probando un resistor averiado, se mostrará la leyenda OL en la pantalla. Esto es normal.

⚠ NO intente medir resistencia en un circuito activo.

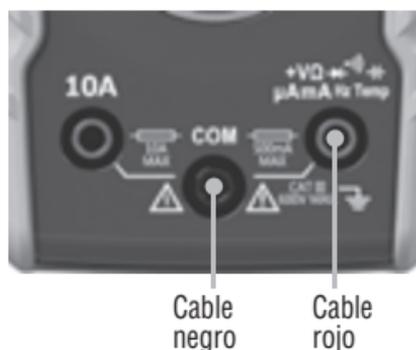
INSTRUCCIONES DE OPERACIÓN

CONTINUIDAD

1. Inserte el cable de prueba ROJO en el conector $V\Omega$ (5) y el cable de prueba NEGRO en el conector COM (4), y gire la perilla selectora de función (2) a la posición de continuidad/resistencia Ω .

NOTA: La función predeterminada del multímetro en este modo es la prueba de continuidad. Asegúrese de que el icono de prueba de continuidad Ω se visualice en la pantalla. Si el icono no se visualiza, presione el botón "SEL" (10) una vez.

2. Desconecte la energía del circuito.
3. Pruebe la continuidad conectando el conductor o el circuito con los cables de prueba. Si la lectura de la medición de resistencia es inferior a 50Ω , se oirá una señal audible y en la pantalla se visualizará un valor de resistencia que indicará la continuidad. Si el circuito está abierto, aparecerá "OL" en la pantalla.



⚠ NO intente medir continuidad en un circuito activo.

INSTRUCCIONES DE OPERACIÓN

CAPACITANCIA

1. Inserte el cable de prueba ROJO en el conector $V\Omega$ ⑤ y el cable de prueba NEGRO en el conector COM ④, y gire la perilla selectora de función ② a la posición de capacitancia/diodo $\text{+} \rightarrow \text{+}$.

NOTA: La función predeterminada del multímetro en este modo es la prueba de capacitancia. Asegúrese de que en la pantalla se visualice "0 nF" con los cables de prueba en circuito abierto. Si el icono no se visualiza, presione el botón "SEL" ⑩ una vez.

2. Desconecte la energía del circuito.
3. Mida la capacitancia conectando los cables de prueba al capacitor. El multímetro seleccionará automáticamente un rango para mostrar la medición en el rango más adecuado.



Cable negro

Cable rojo



PRUEBA DE DIODO

1. Inserte el cable de prueba ROJO en el conector $V\Omega$ ⑤ y el cable de prueba NEGRO en el conector COM ④, y gire la perilla selectora de función ② a la posición de capacitancia/diodo $\text{+} \rightarrow \text{+}$.

NOTA: La función predeterminada del multímetro en este modo es la prueba de capacitancia. Para ingresar al modo de prueba de diodo, presione el botón "SEL" ⑩ una vez. El icono de diodo $\text{+} \rightarrow \text{+}$ aparecerá en la pantalla.

2. Haga que los cables de prueba toquen el diodo. Si en la pantalla se visualiza una lectura de 200 mV-700mV, hay polarización directa, y si se visualiza "OL", hay polarización inversa. Si un dispositivo está en circuito abierto, se indicará "OL" en ambas polaridades. Si un dispositivo está en cortocircuito, se indicará 0 mV aproximadamente.



Cable negro

Cable rojo



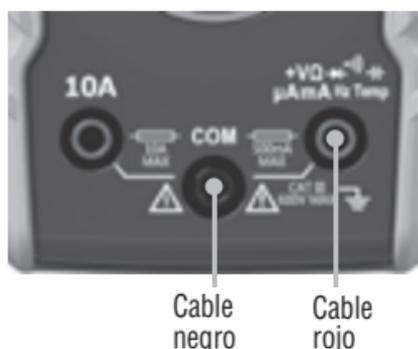
INSTRUCCIONES DE OPERACIÓN

FRECUENCIA/CICLO DE SERVICIO

1. Inserte el cable de prueba ROJO en el conector V Ω ⑤ y el cable de prueba NEGRO en el conector COM ④, y gire la perilla selectora de función ② a la posición de frecuencia/ciclo de servicio Hz $\%$.

NOTA: La función predeterminada del multímetro en este modo es la prueba de frecuencia. Para ingresar al modo de prueba de ciclo de servicio, presione el botón "SEL" ⑩ una vez. Asegúrese de que el icono correspondiente (Hz o %) aparezca en la pantalla.

2. Realice la medición conectando los cables de prueba al circuito.



TEMPERATURA

1. Inserte el termopar tipo K en los conectores V Ω ⑤ y COM ④, y gire la perilla selectora de función ② a la posición de temperatura $^{\circ}\text{C}$ o $^{\circ}\text{F}$.

NOTA: La escala de temperatura predeterminada del multímetro en este modo es Fahrenheit. Para ingresar a la escala en grados Celsius, presione el botón "SEL" ⑩ una vez. Asegúrese de que aparezca en pantalla el icono correspondiente ($^{\circ}\text{F}$ o $^{\circ}\text{C}$). La escala de temperatura predeterminada se puede cambiar encendiendo el multímetro y manteniendo presionado el botón "HOLD" ⑨.

2. Para medir la temperatura, haga que la punta del termopar y el objeto que se medirá entren en contacto. Cuando la temperatura de la punta del termopar y la del objeto se hayan equilibrado, se estabilizará la lectura en la pantalla. El multímetro seleccionará automáticamente un rango para mostrar la medición en el rango más adecuado.



⚠ Retire el termopar antes de configurar el multímetro en otras funciones de medición.

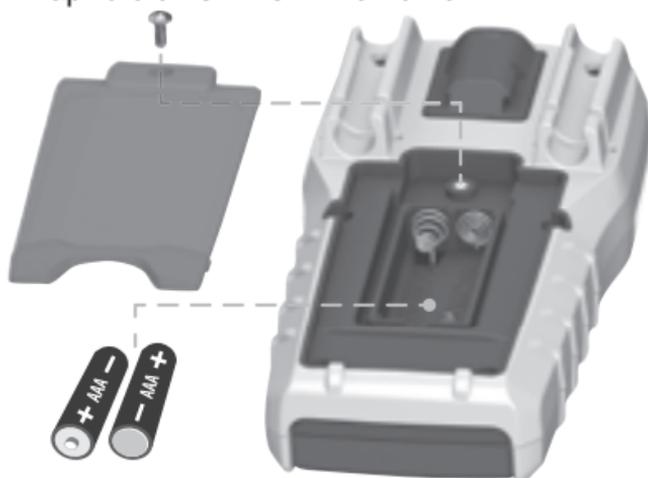
⚠ El termopar que viene con el paquete original es apto solo para temperaturas inferiores a 356 $^{\circ}\text{F}$ /180 $^{\circ}\text{C}$. Para medir temperaturas más elevadas, se debe utilizar un termopar tipo K con el rango de medición adecuado.

MANTENIMIENTO

REEMPLAZO DE LAS BATERÍAS

Cuando aparece el indicador  en la pantalla LCD, se deben reemplazar las baterías.

1. Retire el tornillo de la tapa del compartimento de baterías.
2. Reemplace las 2 baterías AAA (observe la polaridad correcta).
3. Vuelva a colocar la puerta del compartimento de baterías y apriete el tornillo firmemente.



 *Para evitar riesgo de choque eléctrico, desconecte los cables de toda fuente de voltaje antes de retirar la tapa del compartimento de baterías.*

 *Para evitar riesgo de choque eléctrico, no haga funcionar el multímetro sin colocar la tapa del compartimento de baterías.*

REEMPLAZO DE LOS FUSIBLES

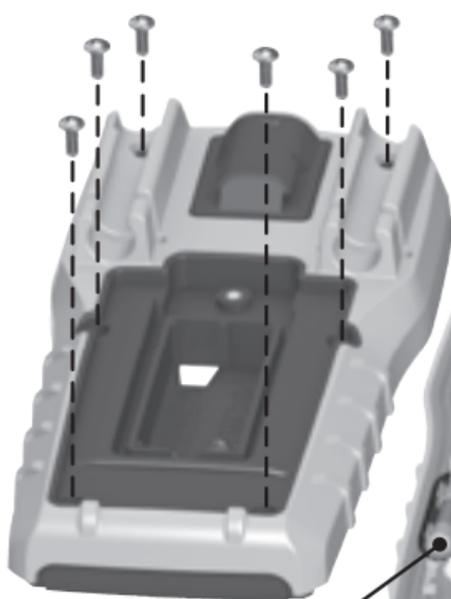
Un fusible puede quemarse si se suministran más de 500 mA al conector V Ω  o más de 10 A al conector 10A . Para acceder a los fusibles realice lo siguiente:

1. Retire los 6 tornillos de la parte posterior del multímetro y quite la tapa.
2. Reemplace los fusibles quemados por:

Para el conector V Ω (μ A/mA) : un fusible rápido de 500 mA/600 V (cat. Klein n.º 69033)

Para el conector 10A : un fusible rápido de 10 A/600 V (cat. Klein n.º 69032)

3. Vuelva a colocar la tapa y apriete los tornillos firmemente.



 *Para evitar riesgo de choque eléctrico, desconecte los cables de toda fuente de voltaje antes de acceder a los fusibles.*

 *Para evitar riesgo de choque eléctrico, no haga funcionar el multímetro sin colocar la tapa del compartimento de fusibles.*

Fusible rápido
de 500 mA/600 V
(cat. Klein n.º 69033)

Fusible rápido
de 10 A/600 V
(cat. Klein n.º 69032)

LIMPIEZA

Asegúrese de que el multímetro esté apagado y límpielo con un paño limpio, seco, que no deje pelusas. **No utilice solventes ni limpiadores abrasivos.**

ALMACENAMIENTO

Retire las baterías si no va a utilizar el multímetro durante un tiempo prolongado. No lo exponga a la humedad ni a altas temperaturas. Luego de un período de almacenamiento en condiciones extremas que sobrepasen los límites mencionados en la sección Especificaciones generales, deje que el multímetro vuelva a las condiciones de funcionamiento normales antes de utilizarlo.

GARANTÍA

www.kleintools.com/warranty

ELIMINACIÓN/RECICLAJE



No arroje el equipo ni sus accesorios a la basura. Los elementos se deben desechar correctamente de acuerdo con las regulaciones locales. Para obtener más información, consulte www.epa.gov o www.ecycle.org.

SERVICIO AL CLIENTE

KLEIN TOOLS, INC.

450 Bond Street
Lincolnshire, IL 60069
1-877-775-5346

customerservice@kleintools.com
www.kleintools.com

FRANÇAIS

MM400

CAT



MANUEL D'UTILISATION

Multimètre numérique
à échelle automatique



- MAINTIEN DES DONNÉES
- INDICATEUR SONORE DE CONTINUITÉ
- MIN/MAX
- TEMPÉRATURE
- TEST DE DIODE
- CAPACITÉ

600 V \approx

10 A \approx

40 M Ω



KLEIN TOOLS



For Professionals... Since 1857™



CARACTÉRISTIQUES GÉNÉRALES

Le MM400 de Klein Tools est un multimètre à échelle automatique mesurant la tension c.a./c.c., le courant c.a./c.c. et la résistance. Il peut également mesurer la température, la capacité, la fréquence, le cycle de service et tester les diodes et la continuité.

- **Altitude de fonctionnement** : 2000 m (6562 pi)
- **Humidité relative** : < 80 % (sans condensation)
- **Température de fonctionnement** : 0 °C à 40 °C (32 °F à 104 °F)
- **Température d'entreposage** : -10 °C à 60 °C (14 °F à 140 °F)
- **Précision** : Valeurs définies entre 18 °C et 28 °C (65 °F et 83 °F)
- **Coefficient de température** : 0,1 x (précision indiquée) par °C au-dessus de 28 °C ou en dessous de 18 °C ; des corrections sont nécessaires lorsque la température ambiante de travail n'est pas dans la plage de Température de précision
- **Dimensions** : 153,4 x 78,0 x 45,2 mm (6,04 x 3,07 x 1,78 po)
- **Poids** : 230 g (8,1 oz)
- **Étalonnage** : Précis pendant un an
- **Normes** : Conforme aux normes : UL STD 61010-1, 61010-2-030, 61010-2-033.

Certifié conforme aux normes :

CSA C22.2 STD NO. 61010-1,
61010-2-030, 61010-2-033.

IEC EN 61010-1, 61010-2-030,
61010-2-033, 61326-1.

- **Niveau de pollution** : 2
- **Précision** : ± (% de la lecture + nombre de chiffres les moins significatifs)
- **Protection contre les chutes** : 1 m (3,3 pi)
- **Cote de sécurité** : CAT III 600 V, classe 2, double isolation

***CAT III** : La catégorie de mesure III est applicable aux circuits de test et de mesure connectés aux parties de l'installation du RÉSEAU basse tension du bâtiment.*

- **Environnement électromagnétique** : IEC EN 61326-1.
Cet équipement répond aux exigences pour une utilisation dans des environnements électromagnétiques ordinaires et contrôlés comme les zones résidentielles, les locaux commerciaux et les sites industriels légers.

Les caractéristiques techniques peuvent faire l'objet de modifications.

SPÉCIFICATIONS ÉLECTRIQUES

TENSION (ÉCHELLE AUTOMATIQUE)

Fonction	Plage	Résolution	Précision
Tension c.a. (V c.a.)	4,000 V	1 mV	$\pm(1,2 \% + 5 \text{ chiffres})$
	40,00 V	10 mV	$\pm(1,5 \% + 5 \text{ chiffres})$
	400,0 V	100 mV	
	600 V	1 V	$\pm(2,0 \% + 5 \text{ chiffres})$
Tension c.c. (V c.c.)	400,0 mV	0,1 mV	$\pm(1,0 \% + 8 \text{ chiffres})$
	4,000 V	1 mV	$\pm(1,2 \% + 3 \text{ chiffres})$
	40,00 V	10 mV	
	400,0 V	100 mV	
	600 V	1 V	$\pm(1,5 \% + 3 \text{ chiffres})$

Impédance en entrée : 10 M Ω

Plage de fréquences : 50 Hz à 60 Hz

Courant d'entrée maximal : 600 V c.a. RMS ou 600 V c.c.

COURANT (ÉCHELLE AUTOMATIQUE)

Courant c.a. (μ A et mA)	400,0 μ A	0,1 μ A	$\pm(1,5 \% + 5 \text{ chiffres})$
	4000 μ A	1 μ A	$\pm(1,8 \% + 5 \text{ chiffres})$
	40,00 mA	10 μ A	
	400,0 mA	100 μ A	
	10 A	10 mA	$\pm(3,0 \% + 7 \text{ chiffres})$
Courant c.c. (μ A et mA)	400,0 μ A	0,1 μ A	$\pm(1,0 \% + 5 \text{ chiffres})$
	4000 μ A	1 μ A	$\pm(1,5 \% + 5 \text{ chiffres})$
	40,00 mA	10 μ A	
	400,0 mA	100 μ A	
	10 A	10 mA	$\pm(3,0 \% + 7 \text{ chiffres})$

Protection contre la surcharge : Fusibles 500 mA/600 V et 10 A/600 V

Plage de fréquences : 50 Hz à 60 Hz

Courant d'entrée maximal : Réglage μ A/mA : 500 mA c.a. RMS/c.c.
Réglage 10A : 10 A c.a. RMS/c.c.

RÉSISTANCE (ÉCHELLE AUTOMATIQUE)

400,0 Ω	0,1 Ω	$\pm(1,5 \% + 5 \text{ chiffres})$
4,000 k Ω	1 Ω	
40,00 k Ω	10 Ω	
400,0 k Ω	100 Ω	
4,000 M Ω	1 k Ω	$\pm(2,0 \% + 10 \text{ chiffres})$
40,00 M Ω	10 k Ω	

Courant d'entrée maximal : 600 V c.c. ou 600 V c.a. RMS

SPÉCIFICATIONS ÉLECTRIQUES

CAPACITÉ (ÉCHELLE AUTOMATIQUE)

Plage	Résolution	Précision
40,00 nF	10 pF	$\pm(5,0 \% + 35 \text{ chiffres})$
400,0 nF	0,1 nF	$\pm(3,0 \% + 5 \text{ chiffres})$
4,000 μ F	1 nF	
40,00 μ F	10 nF	
200,0 μ F	0,1 μ F	$\pm(5,0 \% + 5 \text{ chiffres})$

Courant d'entrée maximal : 600 V c.c. ou 600 V c.a. RMS

FRÉQUENCE (ÉCHELLE AUTOMATIQUE)

9,999 Hz	0,001 Hz	$\pm(1,5 \% + 5 \text{ chiffres})$
99,99 Hz	0,01 Hz	
999,9 Hz	0,1 Hz	$\pm(1,3 \% + 5 \text{ chiffres})$
9,999 kHz	1 Hz	
50,00 kHz	10 Hz	

Sensibilité : >8 V RMS (valeur efficace)

Courant d'entrée maximal : 600 V c.c. ou 600 V c.a. RMS

CYCLE DE SERVICE

0,1 à 99,9 %	0,1 %	$\pm(1,2 \% + 2 \text{ chiffres})$
--------------	-------	------------------------------------

Durée de l'impulsion : >100 μ s, <100 ms

Plage de fréquences : 5 Hz à 10 kHz

Sensibilité : > 8 V RMS (valeur efficace)

Courant d'entrée maximal : 600 V c.c. ou 600 V c.a. RMS

TEMPÉRATURE

0 °F à 1000 °F	0,1 °F/1,0 °F	$\pm(3,0 \% + 9 \text{ °F})$
-18 °C à 538 °C	0,1 °C/1,0 °C	$\pm(3,0 \% + 5 \text{ °C})$

SPÉCIFICATIONS ÉLECTRIQUES

- **Test de diode** : 1,5 mA, tension à circuit ouvert 3,0 V c.c.
- **Vérification de continuité** : Signal sonore < 50 Ω
- **Fréquence d'échantillonnage** : 3 échantillons par seconde
- **Surcharge** : « OL » indiqué sur l'affichage, protection contre la surcharge de 600 V RMS (valeur efficace) à tous les réglages
- **Polarité** : « - » sur l'affichage indique une polarité négative
- **Affichage** : ACL numérique à 3 ¾ chiffres, 4000 lectures

⚠ AVERTISSEMENTS

Pour garantir une utilisation et un entretien du multimètre sécuritaires, suivez ces instructions. Le non-respect de ces avertissements peut entraîner des blessures graves, voire la mort.

- Avant chaque utilisation, vérifiez le fonctionnement du multimètre en mesurant une tension ou un courant de valeur connue.
- N'utilisez jamais le multimètre sur un circuit dont la tension dépasse la tension correspondant à la cote de sécurité de l'appareil.
- N'utilisez pas le multimètre lors d'orages électriques ou par temps humide.
- N'utilisez pas le multimètre ou les fils d'essai s'ils semblent avoir été endommagés.
- Utilisez uniquement des fils d'essai conformes à la norme CAT III ou CAT IV.
- Assurez-vous que les fils d'essai sont bien installés et évitez de toucher les contacts métalliques des sondes lors de la mesure.
- N'ouvrez pas le multimètre pour remplacer les piles lorsque les sondes sont connectées.
- Faites preuve de prudence lors de mesures sur des circuits de plus de 25 V c.a. RMS ou de 60 V c.c. De telles tensions constituent un risque de choc électrique.
- Pour éviter les lectures faussées pouvant provoquer un choc électrique, remplacez les piles lorsque l'indicateur de piles faibles apparaît.
- Ne tentez pas de mesurer la résistance ou la continuité sur un circuit alimenté en électricité.
- Assurez-vous de respecter en tout temps les codes de sécurité locaux et nationaux. Utilisez de l'équipement de protection individuelle pour prévenir des blessures causées par les chocs électriques et les arcs électriques lorsque des conducteurs nus alimentés dangereux sont présents.

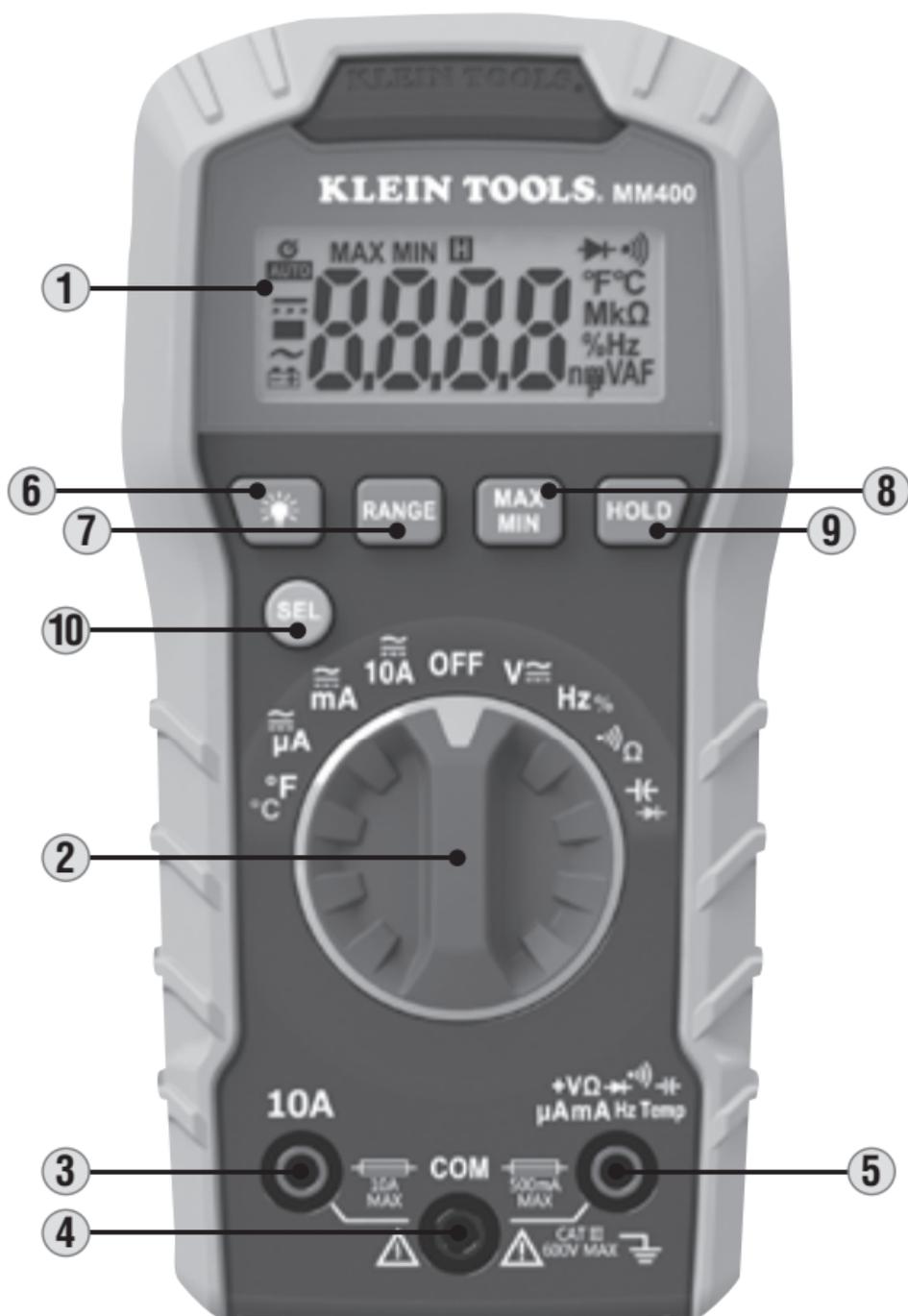
SYMBOLES SUR LE MULTIMÈTRE

	Tension ou courant c.a./c.c.	Ω	Résistance (en ohms)
	Indicateur sonore de continuité		Diode
	Capacité	Hz	Fréquence
%	Cycle de service		Double isolation, Classe II
°F/°C	Température (Fahrenheit/Celsius)		Mise à la masse
	Fusible (calibre indiqué sous le symbole)		
	Avertissement ou mise en garde		
	<i>Pour garantir une utilisation et un entretien sécuritaires du multimètre, suivre les avertissements et instructions présents dans ce manuel.</i>		
	Risque de choc électrique		
	<i>Une utilisation inappropriée de ce multimètre peut provoquer un risque de choc électrique. Suivre les avertissements et instructions présents dans ce manuel.</i>		

SYMBOLES À L’AFFICHAGE ACL

H	Maintien des données		Indicateur sonore de continuité
	Diode	AUTO	Échelle automatique
	C.A. (courant alternatif)		C.C. (courant continu)
	Pile faible		Arrêt automatique
MAX	Valeur maximale	MIN	Valeur minimale
°F	Degrés Fahrenheit	°C	Degrés Celsius
M	Méga (valeur x 10 ⁶)	k	kilo (valeur x 10 ³)
m	milli (valeur x 10 ⁻³)	μ	micro (valeur x 10 ⁻⁶)
n	nano (valeur x 10 ⁻⁹)	V	Volts
A	Ampères	F	Farads
Ω	Ohms	Hz	Hertz (fréquence)
%	Cycle de service		

CARACTÉRISTIQUES DÉTAILLÉES



REMARQUE : Ce multimètre ne contient aucune pièce réparable par l'utilisateur.

- | | |
|--|--|
| 1. Affichage ACL à 4000 lectures | 6. Bouton d'activation/désactivation du rétroéclairage |
| 2. Commutateur de sélection de fonctions | 7. Bouton RANGE (Échelle) |
| 3. Prise 10A | 8. Bouton MAX/MIN |
| 4. Prise COM | 9. Bouton HOLD (Maintien des données) |
| 5. Prise VΩ | 10. Bouton SEL (Sélection) |

BOUTONS DE FONCTION

MARCHE/ARRÊT

Pour allumer le multimètre, tournez le commutateur de sélection de fonctions ② du réglage OFF (Arrêt) à tout autre réglage de mesure. Pour éteindre le multimètre, tournez le commutateur de sélection de fonctions ② vers le réglage OFF (Arrêt). Par défaut, l'appareil s'éteint automatiquement après 30 minutes d'inactivité. Réactivez le multimètre en appuyant sur l'un des boutons. Pour désactiver la fonction d'arrêt automatique, allumez le multimètre tout en gardant le bouton SEL ⑪ enfoncé. Lorsque la fonction d'arrêt automatique est désactivée, le symbole  ne sera pas visible sur l'affichage.

Lorsque vous tournez le commutateur de sélection de fonctions pour choisir un réglage de mesure, « LEAD » (fils d'essai) clignote à l'écran pour vous rappeler de vérifier que les fils d'essai sont insérés dans les prises appropriées.

BOUTON SEL (SÉLECTION) (POUR LES FONCTIONS SECONDAIRES)

Le bouton SEL (Sélection) ⑩ active les fonctions secondaires pour chaque application accessible à l'aide du commutateur de sélection de fonctions ②. Pour la mesure de courants et de tensions, il bascule entre c.a. et c.c. Pour les autres fonctions, il bascule entre °F et °C, entre Hz et % du Cycle de service, entre Continuité et Résistance, et entre Capacité et Test de diode. La fonction par défaut pour chaque application est imprimée en blanc sur le multimètre; la fonction secondaire est imprimée en orange.

BOUTON HOLD (MAINTIEN DES DONNÉES)

Appuyez sur le bouton HOLD (Maintien des données) ⑨ pour que la lecture actuelle demeure affichée. Appuyez de nouveau sur ce bouton pour effacer l'affichage et recommencer à effectuer des mesures en temps réel.

BOUTON RANGE (ÉCHELLE)

Par défaut, le multimètre est en mode de mesure à échelle automatique **AUTO**. Ce mode détermine automatiquement l'échelle la plus appropriée pour les mesures effectuées. Pour forcer le multimètre à effectuer des mesures en utilisant une autre échelle, utilisez le bouton RANGE (Échelle) ⑦.

1. Appuyez sur le bouton RANGE (Échelle) ⑦ pour sélectionner manuellement l'échelle (**AUTO** est désactivé sur l'affichage ACL). Appuyez sur le bouton RANGE (Échelle) ⑦ à plusieurs reprises pour parcourir les échelles disponibles et arrêtez lorsque vous avez atteint la plage souhaitée.
2. Pour retourner en mode échelle automatique, appuyez sur le bouton RANGE (Échelle) ⑦ pendant plus d'une seconde (**AUTO** est réactivé).

BOUTON MAX/MIN

Lorsque le bouton MAX/MIN ⑧ est enfoncé, le multimètre mémorise les valeurs maximale et minimale mesurées, tout en continuant à faire des lectures. Appuyez une première fois sur le bouton MAX/MIN ⑧ pour afficher la valeur Max, appuyez de nouveau pour afficher la valeur Min.

Pour retourner en mode échelle automatique, appuyez sur le bouton MAX/MIN ⑧ pendant plus d'une seconde.

BOUTON DE RÉTROÉCLAIRAGE

Maintenez le bouton de rétroéclairage enfoncé ⑥ pendant plus d'une seconde pour activer ou désactiver le rétroéclairage. Le rétroéclairage s'éteint automatiquement après 3 minutes environ.

INSTRUCTIONS D'UTILISATION

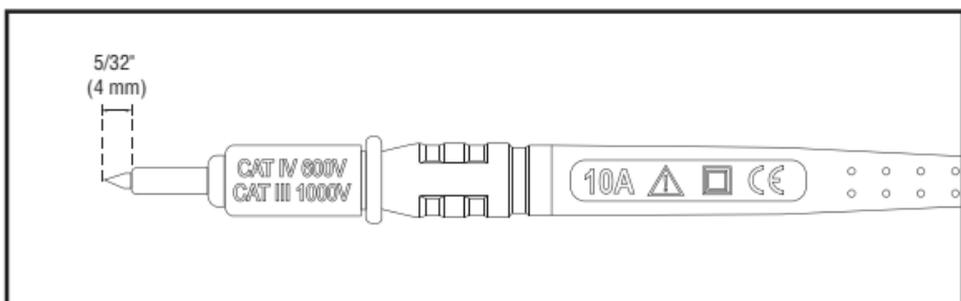
BRANCHEMENT DES FILS D'ESSAI

N'effectuez pas de test si les fils d'essai ne sont pas installés correctement. Cela pourrait causer des lectures intermittentes. Pour assurer un raccordement approprié, enfoncez complètement les fils d'essai dans la prise d'entrée.



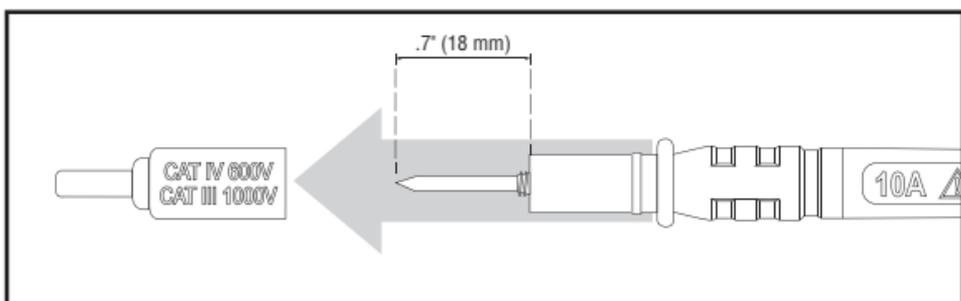
EFFECTUER DES TESTS DANS DES EMPLACEMENTS CAT III/CAT IV

Assurez-vous que l'écran de protection des fils d'essai est enfoncé complètement. Le fait de ne pas utiliser l'écran de protection CAT III/CAT IV augmente le risque d'arc électrique.



EFFECTUER DES TESTS DANS DES EMPLACEMENTS CAT II

Les écrans de protection CAT III/CAT IV peuvent être retirés dans les emplacements CAT II. Cela permet d'effectuer des tests sur des conducteurs encastrés, par exemple les prises murales standard. Assurez-vous de ne pas perdre les écrans de protection.



INSTRUCTIONS D'UTILISATION

TENSION C.A./C.C. (INFÉRIEURE À 600 V)

1. Insérez le fil d'essai ROUGE dans la prise $V\Omega$ (5) et le fil d'essai NOIR dans la prise COM (4), puis tournez le commutateur de sélection de fonctions (2) pour sélectionner le réglage $V \approx$.

REMARQUE : Le multimètre mesure la tension c.a. par défaut. Appuyez sur le bouton SEL (10) pour basculer entre le mode c.a. et le mode c.c. L'icône c.a. \sim ou c.c. \equiv à l'écran ACL indique le mode sélectionné.



2. Appliquez les fils d'essai au circuit à tester pour mesurer la tension. Le multimètre choisira l'échelle automatiquement pour afficher la mesure dans l'échelle la plus appropriée.

REMARQUE : Si « - » apparaît sur l'affichage ACL, les fils d'essai sont appliqués au circuit selon la polarité inverse. Inversez la position des fils pour corriger cette situation.

REMARQUE : Lorsqu'une fonction de test de tension est sélectionnée et les fils d'essai forment un circuit ouvert, des lectures de l'ordre du mV peuvent apparaître à l'écran. Il s'agit de bruit normal. En mettant les fils d'essai en contact pour fermer le circuit, le multimètre mesurera zéro volt.

INSTRUCTIONS D'UTILISATION

COURANT C.A./C.C.

REMARQUE : Le multimètre mesure la tension c.a. par défaut. Appuyez sur le bouton SEL ⑩ pour basculer entre le mode c.a. et le mode c.c. L'icône AC (c.a.) ou DC (c.c.) à l'affichage ACL indique le mode sélectionné.

1. Branchez les fils d'essai dans les prises appropriées et tournez le commutateur de sélection ② pour sélectionner le réglage approprié, de la façon suivante :

- **Pour les courants c.a./c.c. > 400 mA et < 10 A :** Insérez le fil d'essai ROUGE dans la prise 10A ③ et le fil d'essai NOIR dans la prise COM ④, puis tournez le commutateur de sélection de fonctions ② pour sélectionner le réglage 10A c.a./c.c. \approx_{10A} .



Fil rouge Fil noir



- **Pour les courants c.a./c.c. en mA < 400 mA :** Insérez le fil d'essai ROUGE dans la prise V Ω ⑤ et le fil d'essai NOIR dans la prise COM ④, puis tournez le commutateur de sélection de fonctions ② pour sélectionner le réglage mA c.a./c.c. \approx_{mA} .



Fil noir Fil rouge



- **Pour les courants c.c. en μ A < 400 μ A :** Insérez le fil d'essai ROUGE dans la prise V Ω ⑤ et le fil d'essai NOIR dans la prise COM ④, puis tournez le commutateur de sélection de fonctions ② pour sélectionner le réglage μ A c.a./c.c. $\approx_{\mu A}$.



Fil noir Fil rouge



INSTRUCTIONS D'UTILISATION

2. Pour mesurer le courant : Coupez l'alimentation du circuit, ouvrez le circuit au point de mesure, branchez le multimètre au circuit, en série, à l'aide des fils d'essai, puis mettez le circuit sous tension.
3. Mesurez le courant. Le multimètre choisira l'échelle automatiquement pour afficher la mesure dans l'échelle la plus appropriée.

⚠ Ne tentez pas de mesurer des valeurs supérieures à 10 A.

⚠ Lors de la mesure de courants supérieurs à 6 A, nous recommandons un temps de mesure de 30 secondes, suivi d'un temps de récupération de 10 minutes.

MESURES DE RÉSISTANCE

1. Insérez le fil d'essai ROUGE dans la prise $V\Omega$ ⑤ et le fil d'essai NOIR dans la prise COM ④, puis tournez le commutateur de sélection de fonctions ② pour sélectionner le réglage Continuité/Résistance Ω .

REMARQUE : Dans ce mode, le multimètre se met par défaut à Test de continuité. Pour passer au mode Test de résistance, appuyez sur le bouton SEL ⑩ une fois. L'icône Résistance Ω apparaît.

2. Coupez l'alimentation du circuit.
3. Mesurez la résistance en connectant les fils d'essai au circuit. Le multimètre choisira l'échelle automatiquement pour afficher la mesure dans l'échelle la plus appropriée.



REMARQUE : Lorsqu'une fonction de test de résistance est sélectionnée et les fils d'essai ne sont pas en contact (ils ne sont pas connectés de part et d'autre d'une résistance), ou encore, lorsqu'une résistance défectueuse est testée, l'écran affiche « O.L. ». Cela est normal.

⚠ NE tentez PAS de mesurer la résistance sur un circuit alimenté en électricité.

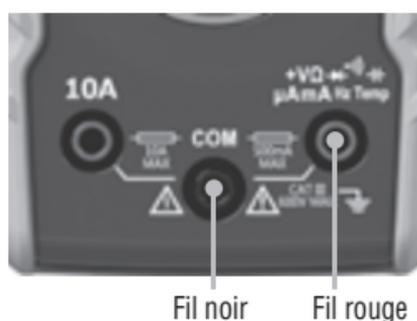
INSTRUCTIONS D'UTILISATION

CONTINUITÉ

1. Insérez le fil d'essai ROUGE dans la prise $V\Omega$ ⑤ et le fil d'essai NOIR dans la prise COM ④, puis tournez le commutateur de sélection de fonctions ② pour sélectionner le réglage Continuité/Résistance Ω .

REMARQUE : Dans ce mode, le multimètre se met par défaut à Test de continuité. Assurez-vous que l'icône de Test de continuité $\bullet\))$ est visible à l'écran. Si elle n'est pas visible, appuyez une fois sur le bouton SEL ⑩.

2. Coupez l'alimentation du circuit.
3. Testez la continuité en connectant un conducteur ou un circuit aux fils d'essai. Si la résistance mesurée est inférieure à $50\ \Omega$, un signal sonore et l'affichage indiquent une valeur de résistance correspondant à la continuité. Si le circuit est ouvert, l'affichage indique « OL ».



⚠ NE tentez PAS de mesurer la continuité sur un circuit alimenté en électricité.

INSTRUCTIONS D'UTILISATION

CAPACITÉ

1. Insérez le fil d'essai ROUGE dans la prise $V\Omega$ ⑤ et le fil d'essai NOIR dans la prise COM ④, puis tournez le commutateur de sélection de fonctions ② pour sélectionner le réglage Capacité/Diode \rightarrow .

REMARQUE : Dans ce mode, le multimètre se met par défaut à Test de capacité. Assurez-vous que le multimètre indique **0 nF** lorsque les fils d'essai forment un circuit ouvert. S'il n'est pas visible, appuyez une fois sur le bouton SEL ⑩.

2. Coupez l'alimentation du circuit.
3. Mesurez la capacité en connectant les fils d'essai de part et d'autre du condensateur. Le multimètre choisira l'échelle automatiquement pour afficher la mesure dans l'échelle la plus appropriée.

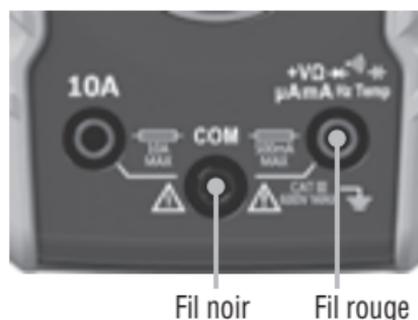


TEST DE DIODE

1. Insérez le fil d'essai ROUGE dans la prise $V\Omega$ ⑤ et le fil d'essai NOIR dans la prise COM ④, puis tournez le commutateur de sélection de fonctions ② pour sélectionner le réglage Capacité/Diode \rightarrow .

REMARQUE : Dans ce mode, le multimètre se met par défaut à Test de capacité. Pour passer au mode Test de diode, appuyez sur le bouton SEL ⑩ une fois. L'icône Diode \rightarrow apparaît à l'écran.

2. Touchez à la diode avec les fils d'essai. Une lecture de 200 à 700 mV à l'écran indique une polarisation directe et « OL » indique une polarisation inverse. Un appareil dont le circuit est ouvert affiche « OL » dans les deux polarités. Un appareil court-circuité affiche approximativement 0 mV.



INSTRUCTIONS D'UTILISATION

FRÉQUENCE/CYCLE DE SERVICE

1. Insérez le fil d'essai ROUGE dans la prise VΩ (5) et le fil d'essai NOIR dans la prise COM (4), puis tournez le commutateur de sélection de fonctions (2) pour sélectionner le réglage Fréquence/Cycle de service Hz%.
REMARQUE : Dans ce mode, le multimètre se met par défaut à Test de fréquence. Pour passer au mode Test de cycle de service, appuyez sur le bouton SEL (10) une fois. Assurez-vous que l'icône appropriée (Hz ou %) s'affiche.

2. Prenez une mesure en connectant les fils d'essai de part et d'autre du circuit.

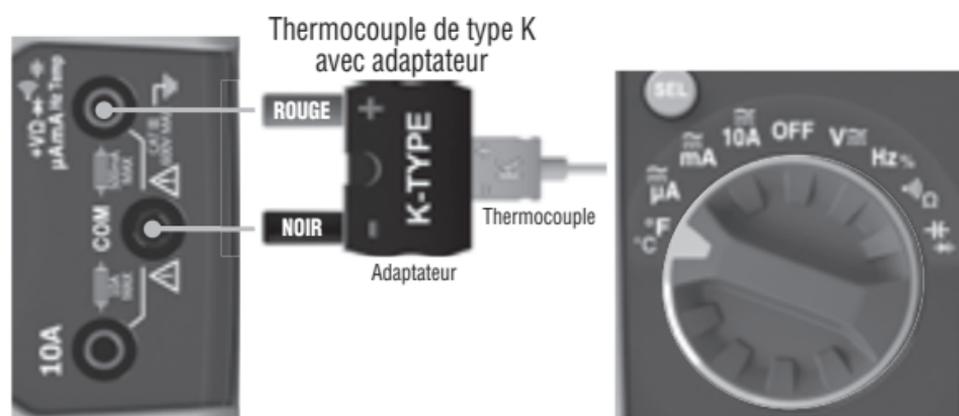


TEMPÉRATURE

1. Insérez le thermocouple de type K dans les prises VΩ (5) et COM (4) et tournez le commutateur de sélection de fonctions (2) jusqu'au réglage Température °C.

REMARQUE : Dans ce mode, le multimètre se met par défaut à l'échelle Fahrenheit. Pour passer à l'échelle Celsius, appuyez sur le bouton SEL (10) une fois. Assurez-vous que l'icône appropriée (°F ou °C) s'affiche. L'échelle de température par défaut peut être changée en allumant le multimètre avec le bouton HOLD (9) enfoncé.

2. Pour mesurer la température, touchez l'objet mesuré avec la pointe du thermocouple. Lorsque la pointe du thermocouple et l'objet sont en équilibre thermique, la mesure à l'écran se stabilise. Le multimètre choisira l'échelle automatiquement pour afficher la mesure dans l'échelle la plus appropriée.



⚠ Retirez le thermocouple avant de sélectionner une autre fonction du multimètre.

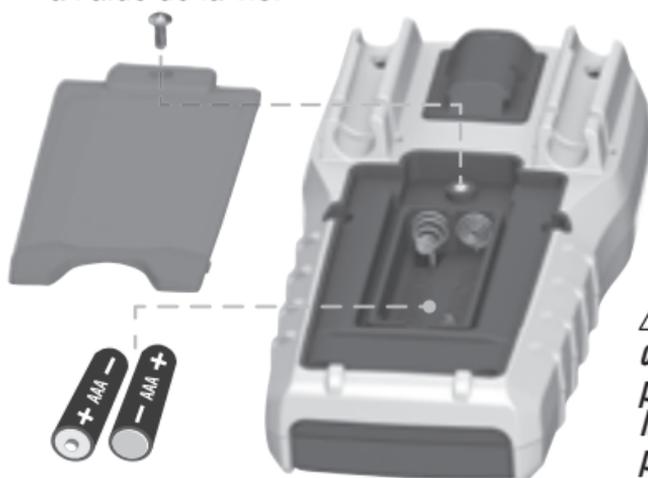
⚠ Le thermocouple livré avec l'appareil permet de mesurer des températures inférieures à 180 °C/356 °F seulement. Pour mesurer des températures plus élevées, un thermocouple de type K devrait être utilisé avec l'échelle de températures appropriée.

ENTRETIEN

REPLACEMENT DES PILES

Lorsque l'indicateur  est affiché à l'écran ACL, il est nécessaire de remplacer les piles.

1. Retirez la vis de la porte du compartiment à piles.
2. Remplacez les 2 piles AAA (tenez compte de la polarité).
3. Remplacez la porte du compartiment à piles et fixez-la solidement à l'aide de la vis.



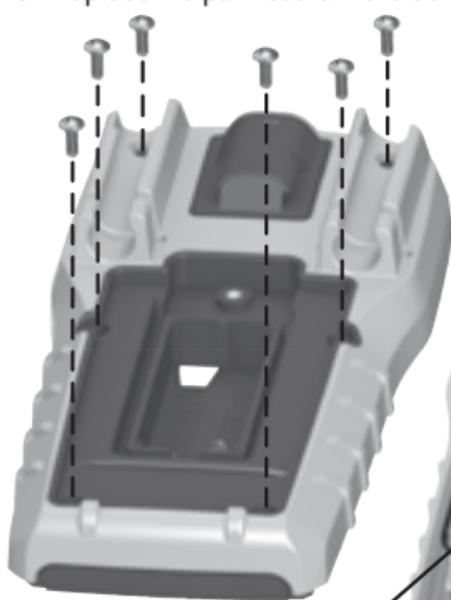
 *Pour éviter le risque de choc électrique, débranchez les fils d'essai de toute source de tension avant de retirer la porte du compartiment à piles.*

 *Pour éviter le risque de choc électrique, n'utilisez pas le multimètre lorsque la porte du compartiment à piles est retirée.*

REPLACEMENT DES FUSIBLES

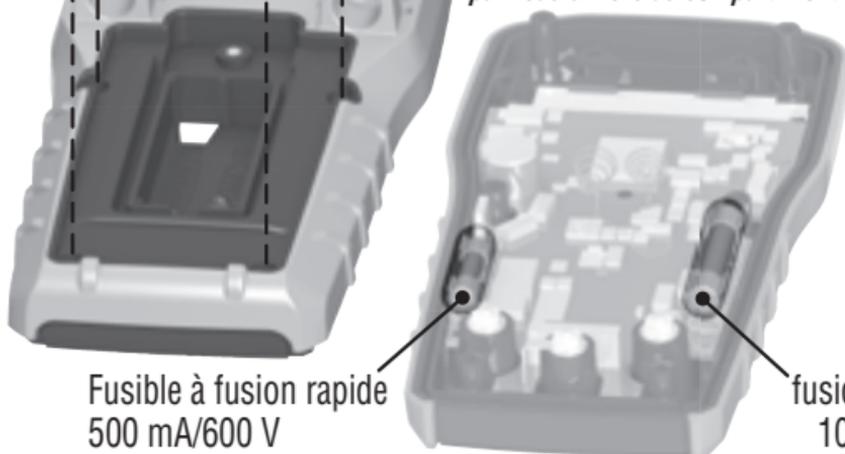
Un fusible peut griller si un courant supérieur à 500 mA est appliqué à la prise V Ω ou ⑤ si un courant supérieur à 10 A est appliqué à la prise 10A ③. Pour accéder aux fusibles :

1. Retirez les 6 vis à l'arrière du multimètre et retirez le panneau arrière du boîtier.
2. Remplacez les fusibles grillés en utilisant :
Prise V Ω (μ A/mA) ⑤ : Fusible à fusion rapide de 500 mA/600 V (N° 69033 du catalogue Klein)
Prise 10A ③ : Fusible à fusion rapide de 10 A/600 V (N° 69032 du catalogue Klein)
3. Remplacez le panneau arrière du boîtier et fixez-le en place à l'aide des vis.



 *Pour éviter le risque de choc électrique, débranchez les fils d'essai de toute source de tension avant d'accéder aux fusibles.*

 *Pour éviter le risque de choc électrique, n'utilisez pas le multimètre lorsque le panneau arrière du compartiment est retiré.*



Fusible à fusion rapide
500 mA/600 V
(N° 69033 du catalogue Klein)

Fusible à
fusion rapide
10 A/600 V
(N° 69032 du catalogue Klein)

NETTOYAGE

Assurez-vous d'éteindre le multimètre, puis essuyez-le à l'aide d'un linge non pelucheux propre. ***N'utilisez pas de nettoyant abrasif ou de solvant.***

RANGEMENT

Retirez les piles lorsque vous prévoyez ne pas utiliser le multimètre pendant une longue période. N'exposez pas l'appareil à des températures élevées ou à un taux d'humidité élevé. Après une période de stockage dans des conditions extrêmes (hors des limites mentionnées dans la section Caractéristiques générales), laissez le multimètre revenir à des conditions d'utilisation normales avant de l'utiliser.

GARANTIE

www.kleintools.com/warranty

MISE AU REBUT/RECYCLAGE



Ne pas mettre l'appareil et ses accessoires au rebut. Ces articles doivent être éliminés conformément aux règlements locaux. Pour de plus amples renseignements, consultez les sites www.epa.gov ou www.ecycle.org.

SERVICE À LA CLIENTÈLE

KLEIN TOOLS, INC.

450 Bond Street

Lincolnshire, IL 60069

1-877-775-5346

customerservice@kleintools.com

www.kleintools.com



KLEIN TOOLS, INC.
450 Bond Street
Lincolnshire, IL 60069
1-877-775-5346

customerservice@kleintools.com
www.kleintools.com