



**POWERDRIVE**  
BOW-MOUNT TROLLING MOTOR  
OWNER'S MANUAL

# INTRODUCTION

## THANK YOU

Thank you for choosing Minn Kota. We believe that you should spend more time fishing and less time positioning your boat. That's why we build the smartest, toughest, most intuitive trolling motors on the water. Every aspect of a Minn Kota trolling motor is thought out and rethought until it's good enough to bear our name. Countless hours of research and testing provide you the Minn Kota advantage that can truly take you "Anywhere. Anytime." We don't believe in shortcuts. We are Minn Kota. And we are never done helping you catch more fish.

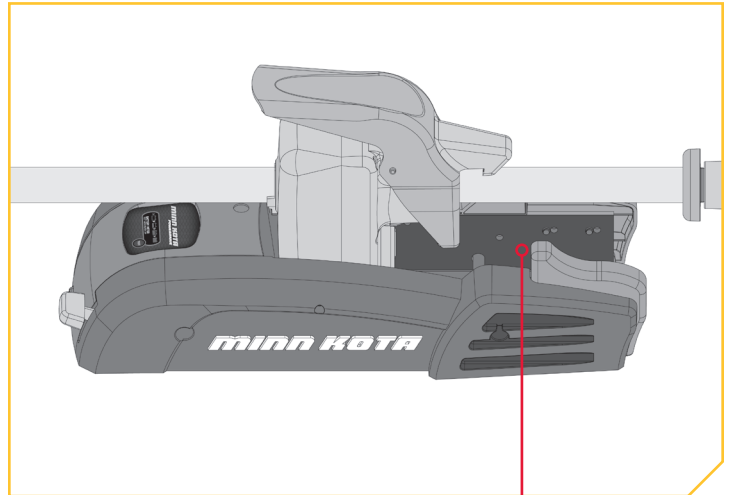
## REGISTRATION

Remember to keep your receipt and immediately register your trolling motor. A registration card is included with your motor or you can complete registration on our website at [minnkotamotors.com](http://minnkotamotors.com).

## SERIAL NUMBER

Your Minn Kota 11-character serial number is very important. It helps to determine the specific model and year of manufacture. When contacting Consumer Service or registering your product, you will need to know your product's serial number. We recommend that you write the serial number down so that you have it available for future reference.

**NOTE:** The serial number on your PowerDrive is located inside the mount below the motor rests.



## MOTOR INFORMATION (FOR CONSUMER REFERENCE ONLY)

Model: \_\_\_\_\_

Serial Number: \_\_\_\_\_

Purchase Date: \_\_\_\_\_

Store Where Purchased: \_\_\_\_\_

**NOTE:** Do not return your Minn Kota motor to your retailer. Your retailer is not authorized to repair or replace this unit. You may obtain service by: calling Minn Kota at (800) 227-6433; returning your motor to the Minn Kota Factory Service Center; sending or taking your motor to any Minn Kota authorized service center. A list of authorized service centers is available on our website, at [minnkotamotors.com](http://minnkotamotors.com). Please include proof of purchase, serial number and purchase date for warranty service with any of the above options.

# TABLE OF CONTENTS

## TABLE OF CONTENTS

<b>SAFETY CONSIDERATIONS</b> .....	4
<b>WARRANTY</b> .....	5
<b>KNOW YOUR BOAT</b> .....	6
<b>FEATURES</b> .....	7
<b>INSTALLATION</b> .....	8
Installing the PowerDrive .....	9
Routing Universal Sonar .....	13
Connecting a Universal Sonar Extension Cable .....	15
<b>BATTERY &amp; WIRING INSTALLATION</b> .....	16
Boat Rigging & Product Installation.....	16
Conductor Gauge and Circuit Breaker Sizing Table.....	16
Selecting the Correct Batteries .....	17
Additional Considerations .....	17
Connecting the Batteries.....	18
Connecting the Batteries in Series .....	19
<b>MOTOR WIRING DIAGRAM</b> .....	20
<b>USING &amp; ADJUSTING THE MOTOR</b> .....	23
Mount Features .....	23
Stowing and Deploying the Motor .....	24
Push-to-Test Battery Meter.....	24
Adjusting the Depth of the Motor .....	24
Adjusting the Latch Collar .....	25
Installing an External Transducer .....	26
Adjusting the Lower Unit for a Secure Stow.....	27
<b>USING THE FOOT PEDAL</b> .....	28
Controlling Speed & Steering with the Foot Pedal .....	28
<b>AUTOPILOT</b> .....	30
<b>SERVICE &amp; MAINTENANCE</b> .....	32
Propeller Replacement.....	32
General Maintenance .....	33
Troubleshooting.....	33
<b>COMPLIANCE STATEMENTS</b> .....	35
<b>PARTS DIAGRAM &amp; PARTS LIST</b> .....	37



# SAFETY CONSIDERATIONS

Please thoroughly read the user manual. Follow all instructions and heed all safety and cautionary notices. Use of this motor is only permitted for persons that have read and understood these user instructions. Minors may use this motor only under adult supervision.

## **WARNING**

You are responsible for the safe and prudent operation of your vessel. We have designed your Minn Kota product to be an accurate and reliable tool that will enhance boat operation and improve your ability to catch fish. This product does not relieve you from the responsibility for safe operation of your boat. You must avoid hazards to navigation and always maintain a permanent watch so you can respond to situations as they develop. You must always be prepared to regain manual control of your boat. Learn to operate your Minn Kota product in an area free from hazards and obstacles.

## **WARNING**

Never run the motor out of the water, as this may result in injuries from the rotating propeller. The motor should be disconnected from the power source when it is not in use or is off the water. When connecting the power-supply cables of the motor to the battery, ensure that they are not kinked or subject to chafe and route them in such a way that persons cannot trip over them. Before using the motor make sure that the insulation of the power cables is not damaged. Disregarding these safety precautions may result in electric shorts of battery(s) and/or motor. Always disconnect motor from battery(s) before cleaning or checking the propeller. Avoid submerging the complete motor as water may enter the lower unit through control head and shaft. If the motor is used while water is present in the lower unit considerable damage to the motor can occur. This damage will not be covered by warranty.

## **WARNING**

Take care that neither you nor other persons approach the turning propeller too closely, neither with body parts nor with objects. The motor is powerful and may endanger or injure you or others. While the motor is running watch out for persons swimming and for floating objects. Persons whose ability to run the motor or whose reactions are impaired by alcohol, drugs, medication, or other substances are not permitted to use this motor. This motor is not suitable for use in strong currents. The constant noise pressure level of the motor during use is less than 70dB(A). The overall vibration level does not exceed 2,5 m/sec<sup>2</sup>.

## **WARNING**

When stowing or deploying the motor, keep fingers clear of all hinge and pivot points and all moving parts. In the event of unexpected operation, remove power leads from the battery.

## **WARNING**

It is recommended to only use Johnson Outdoors approved accessories with your Minn Kota motor. Using non-approved accessories including to mount or control your motor may cause damage, unexpected motor operation and injury. Be sure to use the product and approved accessories, including remotes, safely and in the manner directed to avoid accidental or unexpected motor operation. Keep all factory installed parts in place including motor and accessory covers, enclosures and guards.



# WARRANTY

## WARRANTY ON MINN KOTA FRESHWATER TROLLING MOTORS

Johnson Outdoors Marine Electronics, Inc. ("JOME") extends the following limited warranty to the original retail purchaser only. Warranty coverage is not transferable.

### Minn Kota Limited Two-Year Warranty on the Entire Product

JOME warrants to the original retail purchaser only that the purchaser's new Minn Kota freshwater trolling motor will be materially free from defects in materials and workmanship appearing within two (2) years after the date of purchase. JOME will (at its option) either repair or replace, free of charge, any parts found by JOME to be defective during the term of this warranty. Such repair, or replacement shall be the sole and exclusive liability of JOME and the sole and exclusive remedy of the purchaser for breach of this warranty.

### Minn Kota Limited Lifetime Warranty on Composite Shaft

JOME warrants to the original retail purchaser only that the composite shaft of the purchaser's Minn Kota trolling motor will be materially free from defects in materials and workmanship appearing within the original purchaser's lifetime. JOME will provide a new composite shaft, free of charge, to replace any composite shaft found by JOME to be defective during the term of this warranty. Providing a new composite shaft shall be the sole and exclusive liability of JOME and the sole and exclusive remedy of the purchaser for breach of this warranty; **and purchaser shall be responsible for installing, or for the cost of labor to install, any new composite shaft provided by JOME.**

### Exclusions & Limitations

This limited warranty does not apply to products that have been used in saltwater or brackish water, commercially or for rental purposes. This limited warranty does not cover normal wear and tear, blemishes that do not affect the operation of the product, or damage caused by accidents, abuse, alteration, modification, shipping damages, negligence of the user or misuse, improper or insufficient care or maintenance. **DAMAGE CAUSED BY THE USE OF OTHER REPLACEMENT PARTS NOT MEETING THE DESIGN SPECIFICATIONS OF THE ORIGINAL PARTS WILL NOT BE COVERED BY THIS LIMITED WARRANTY.** The cost of normal maintenance or replacement parts which are not in breach of the limited warranty are the responsibility of the purchaser. Prior to using products, the purchaser shall determine the suitability of the products for the intended use and assumes all related risk and liability. Any assistance JOME provides to or procures for the purchaser outside the terms, limitations or exclusions of this limited warranty will not constitute a waiver of the terms, limitations or exclusions, nor will such assistance extend or revive the warranty. JOME will not reimburse the purchaser for any expenses incurred by the purchaser in repairing, correcting or replacing any defective products or parts, except those incurred with JOME's prior written permission. **JOME'S AGGREGATE LIABILITY WITH RESPECT TO COVERED PRODUCTS IS LIMITED TO AN AMOUNT EQUAL TO THE PURCHASER'S ORIGINAL PURCHASE PRICE PAID FOR SUCH PRODUCT.**

### Minn Kota Service Information

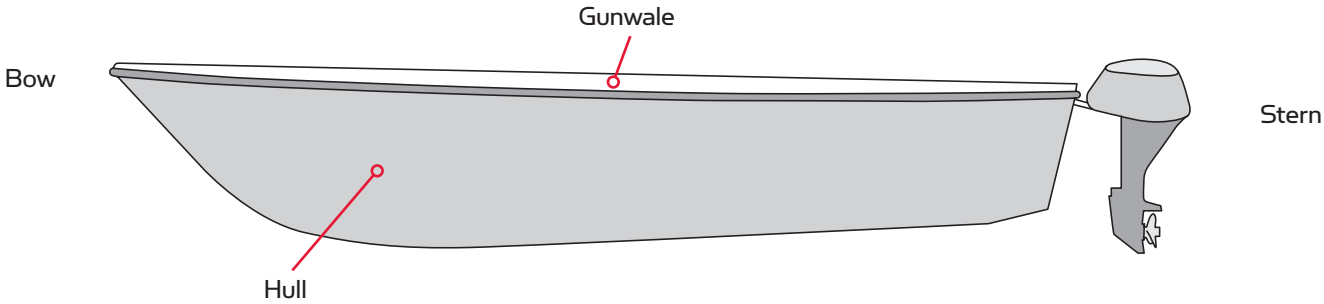
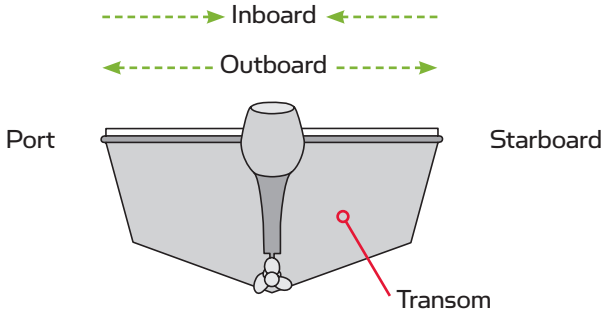
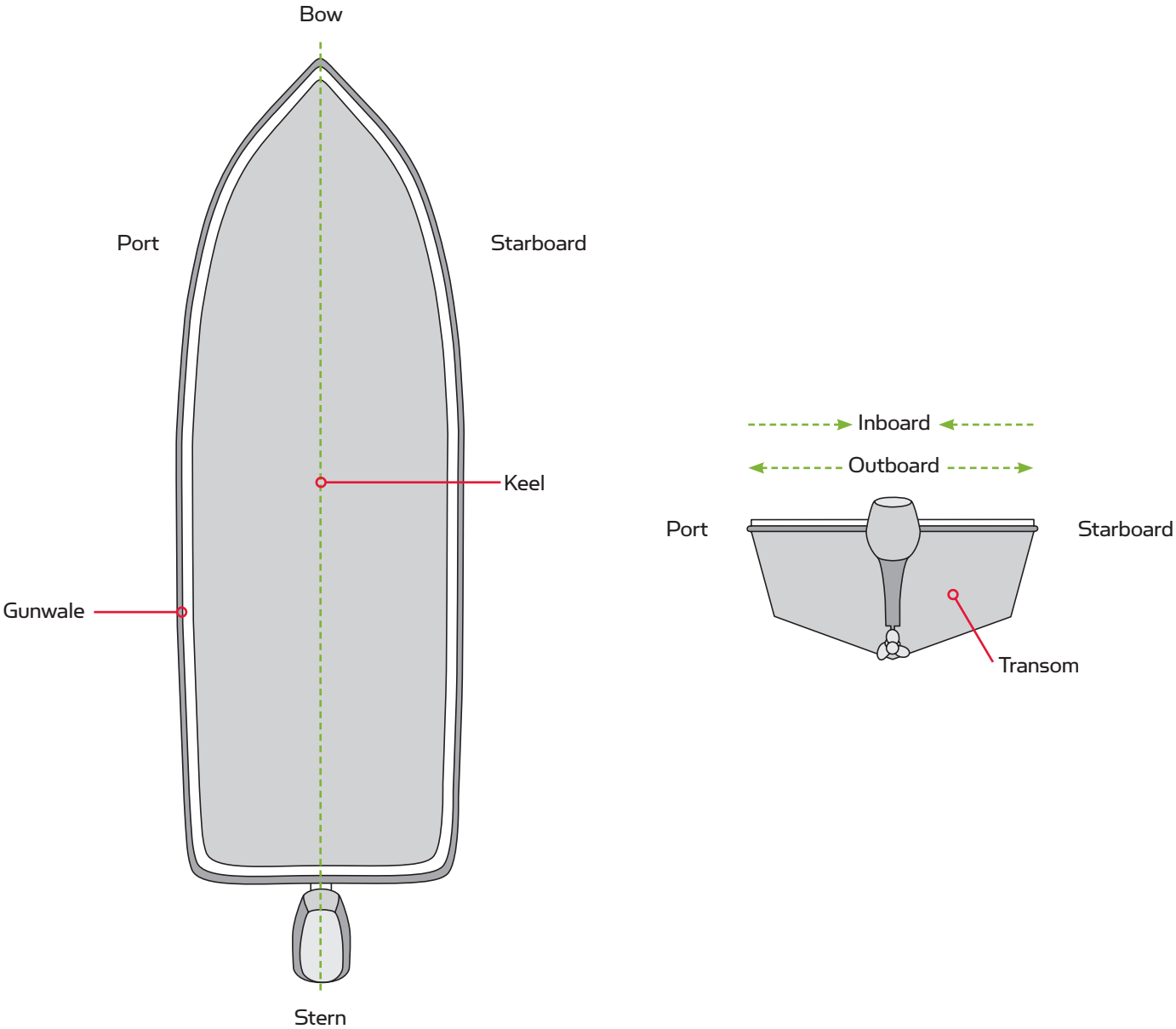
To obtain warranty service in the U.S., the product believed to be defective, and proof of original purchase (including the date of purchase), must be presented to a Minn Kota Authorized Service Center or to Minn Kota's factory service center in Mankato, MN. Any charges incurred for service calls, transportation or shipping/freight to/from the Minn Kota Authorized Service Center or factory, labor to haul out, remove, re-install or re-rig products removed for warranty service, or any other similar items are the sole and exclusive responsibility of the purchaser. Products purchased outside of the U.S. must be returned prepaid with proof of purchase (including the date of purchase and serial number) to any Authorized Minn Kota Service Center in the country of purchase. Warranty service can be arranged by contacting a Minn Kota Authorized Service Center or by contacting the factory at 1-800-227-6433 or email [service@minnkotamotors.com](mailto:service@minnkotamotors.com). **Products repaired or replaced will be warranted for the remainder of the original warranty period [or for 90 days from the date of repair or replacement, whichever is longer]. For any product that is returned for warranty service that JOME finds to be not covered by or not in breach of this limited warranty, there will be a billing for services rendered at the prevailing posted labor rate and for a minimum of at least one hour.**

**NOTE:** Do not return your Minn Kota product to your retailer. Your retailer is not authorized to repair or replace products.

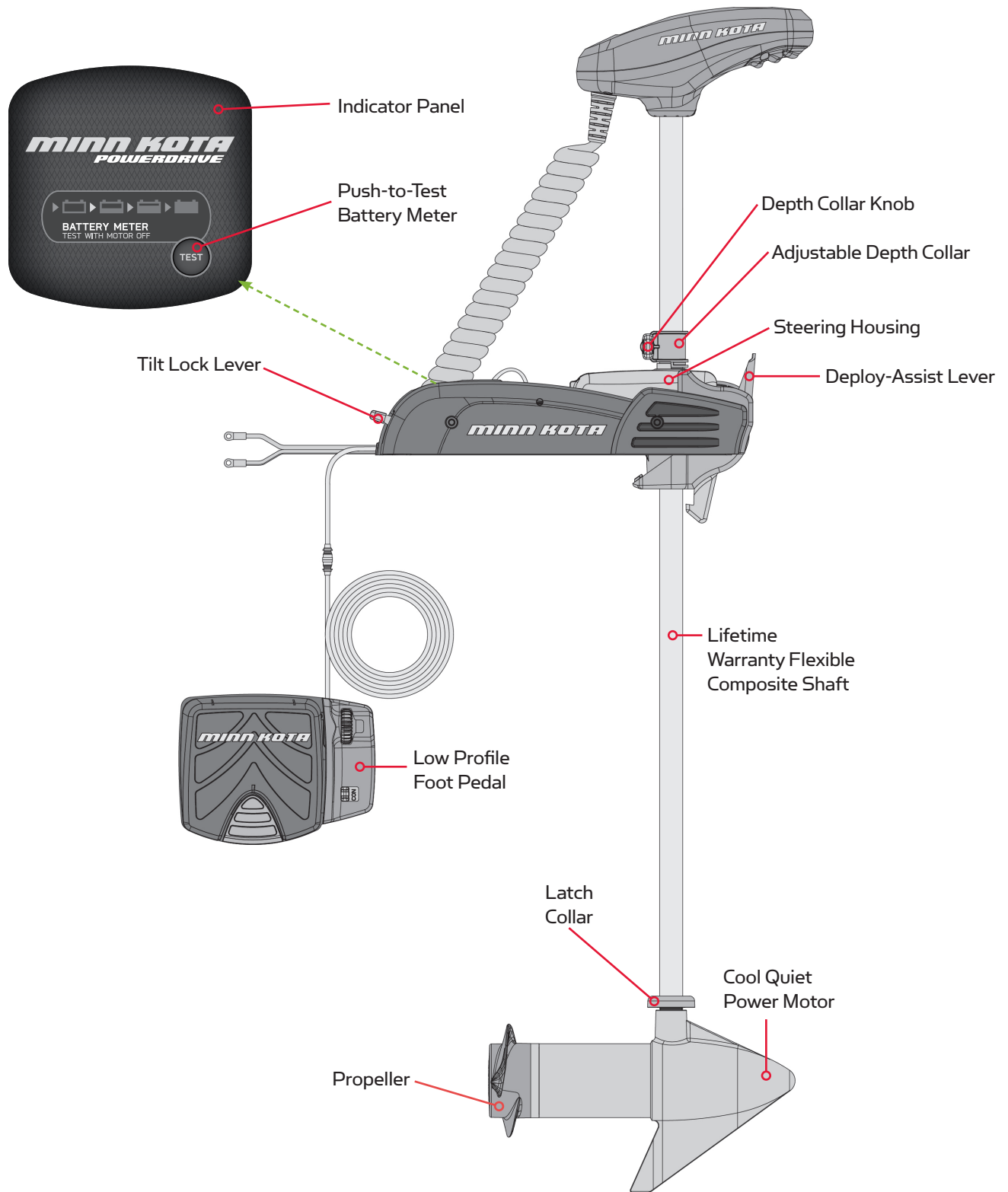
**NOTE:** THERE ARE NO EXPRESS WARRANTIES OTHER THAN THESE LIMITED WARRANTIES. IN NO EVENT SHALL ANY IMPLIED WARRANTIES INCLUDING ANY IMPLIED WARRANTIES OF MERCHANTABILITY OR FITNESS FOR PARTICULAR PURPOSE, EXTEND BEYOND THE DURATION OF THE RELEVANT EXPRESS LIMITED WARRANTY. IN NO EVENT SHALL JOME BE LIABLE FOR PUNITIVE, INDIRECT, INCIDENTAL, CONSEQUENTIAL OR SPECIAL DAMAGES. Without limiting the foregoing, JOME assumes no responsibility for loss of use of product, loss of time, inconvenience or other damage.

Some states do not allow limitations on how long an implied warranty lasts or the exclusion or limitation of incidental or consequential damages, so the above limitations and/or exclusions may not apply to you. This warranty gives you specific legal rights and you may also have other legal rights which vary from state to state.

# KNOW YOUR BOAT



# FEATURES



**NOTE:** Specifications subject to change without notice. This diagram is for reference only and may differ from your actual motor.



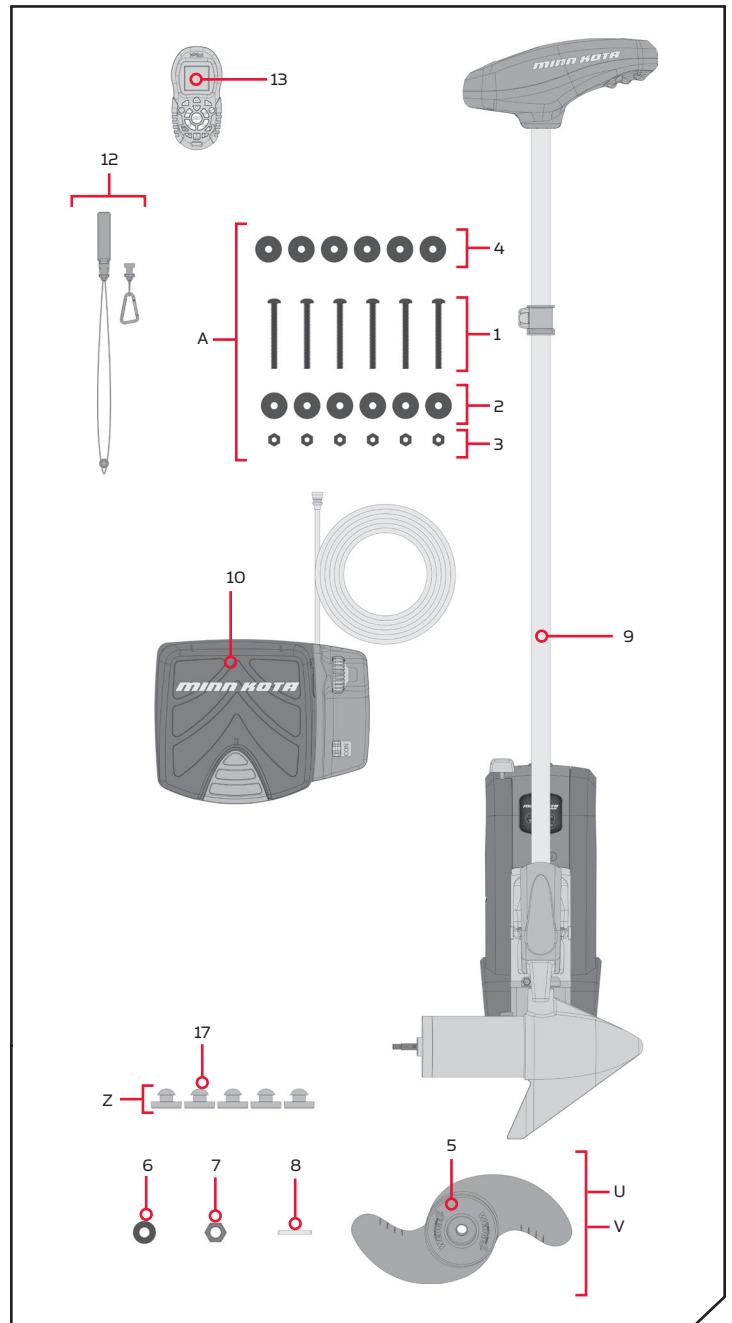
# INSTALLATION

## INSTALLING THE POWERDRIVE

Your new PowerDrive comes with everything you'll need to directly install it to the boat. This motor can be directly mounted to the boat or coupled with a Minn Kota quick release bracket for ease of mounting and removal. For installation with a quick release bracket, refer to the installation instructions provided with the bracket. For compatible quick release mounting brackets and to locate your nearest dealer, visit [minnkotamotors.com](http://minnkotamotors.com). To install the motor directly to the boat, please follow the instructions provided in this manual. Please review the parts list, mounting considerations and tools needed for installation prior to getting started. For additional product support, please visit [minnkotamotors.com](http://minnkotamotors.com).

### INSTALLATION PARTS LIST

Item / Assembly	Part #	Description	Qty.
A	2994864	BAG ASSEMBLY - (BOLT, NUT, WASHERS)	1
1	2263462	BOLT-MOUNTING-1/4X2 W/STG	6
2	2261713	WASHER-1/4	6
3	2263103	NUT NYLOK 1/4-20 MTG	6
4	2301720	WASHER-MOUNTING RUBBER	6
U	1378131	PROP IND 2091160 (WDL5 WDGII)	1
V	1378121	PROP IND 2061122 (PWR PROP)	1
5	2091160	PROP-WW2 (3 5/8") REAMED SUB)	1
	2061122	PROP-POWER (3.25")	1
6	2151726	WASHER-5/16 SS	1
7	2053101	NUT-PROP NYLOC	1
8	2092600	PIN-DRIVE 1.06" LG SS	1
9	✘	MOTOR ASSEMBLY	1
10	2994727	FOOT PEDAL ASSEMBLY, PD	1
12	2390800 ◆	LANYARD, REMOTE W/ CARABINER	1
13	2994075 ◆	REMOTE ASSEMBLY, IPILOT	1
15	2397101	MANUAL, QUICK REF., iPILOT 1.6	1
16	2317122	MANUAL-INSTALL GUIDE, POWERDRIVE	1
Z	2994859	BAG ASY-TERROVA/V2,RUB.BUMPERS	1
17	2325110	PAD, FOOT PEDAL PD	5



✘ This part is included in an assembly and cannot be ordered individually.  
◆ Only available with models factory installed with i-Pilot.

MOUNTING CONSIDERATIONS

It is recommended that the motor be mounted as close to the centerline of the boat as possible. Make sure the area under the mounting location is clear to drill holes and install nuts and washers. Make sure the motor rest is positioned far enough beyond the edge of the boat. The motor must not encounter any obstructions as it is lowered into the water or raised into the boat when stowed and deployed. Consider a quick release or adapter bracket with the installation of your motor. To view a list of accessories, please visit [minnkotamotors.com](http://minnkotamotors.com).



View accessories available for your trolling motor at [minnkotamotors.com](http://minnkotamotors.com).

TOOLS AND RESOURCES REQUIRED

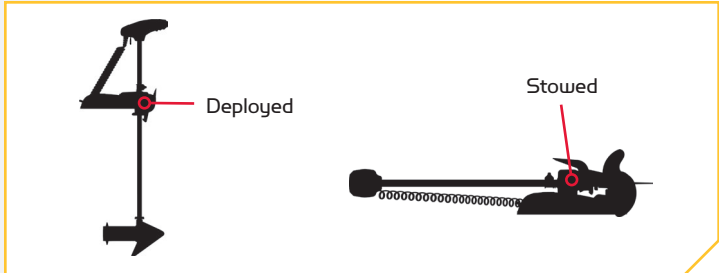
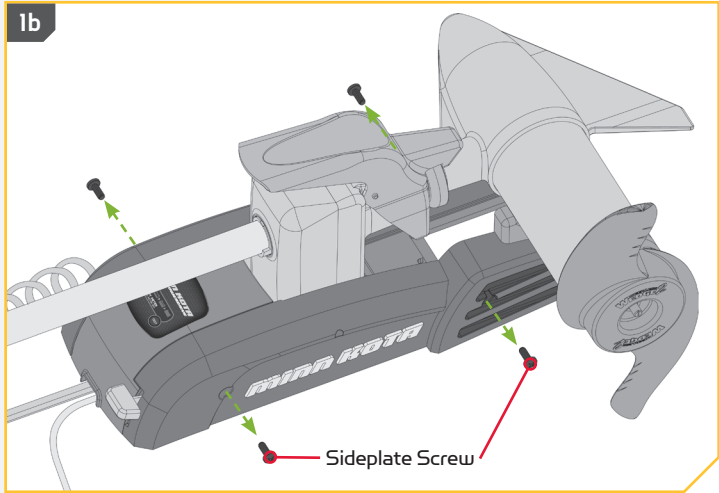
- #3 and #2 Phillips Screw Driver
- Drill
- 9/32" Drill Bit
- 7/16" Box End Wrench
- A second person to help with the installation

INSTALLATION

Installing the PowerDrive

- 1
- a. Place the mount on an elevated, level surface such as a workbench or the tailgate of a pickup. The motor, as removed from the box, should be in the stowed position.
  - b. Remove the four sideplate screws using a #3 or #2 Phillips screwdriver. Two of these screws will be located on each side of the mount.

**NOTE:** This motor weighs approximately 30 lbs. We recommend having a second person help with the installation.

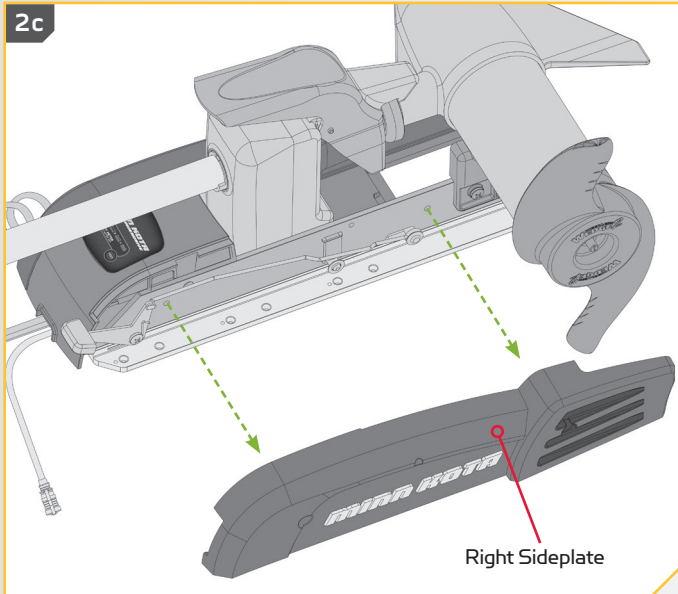


## INSTALLING THE POWERDRIVE

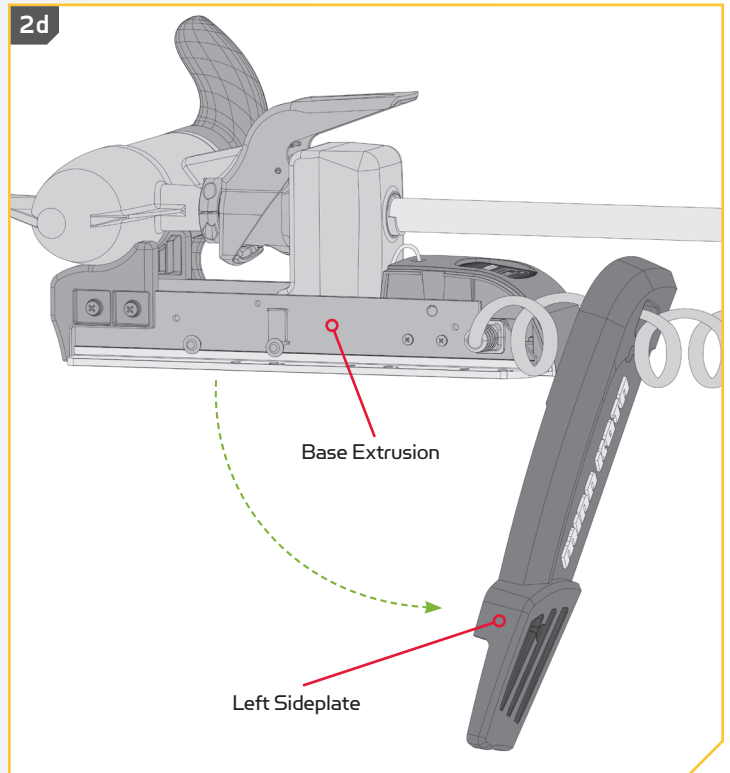
2

- c. Remove the Right Sideplate.
- d. Swing the Left Sideplate out and away from the Base Extrusion.

2c



2d



3

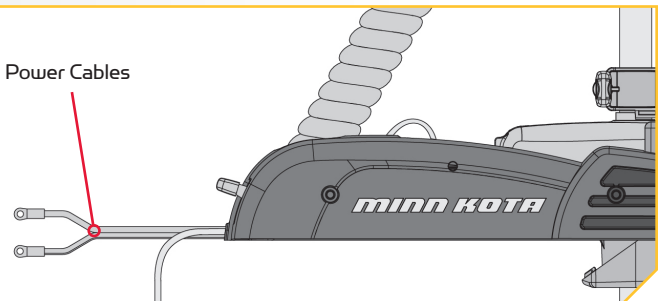
- e. Make sure that the Power Cables from the battery are disconnected, or that the breaker, if equipped, is "off".



### WARNING

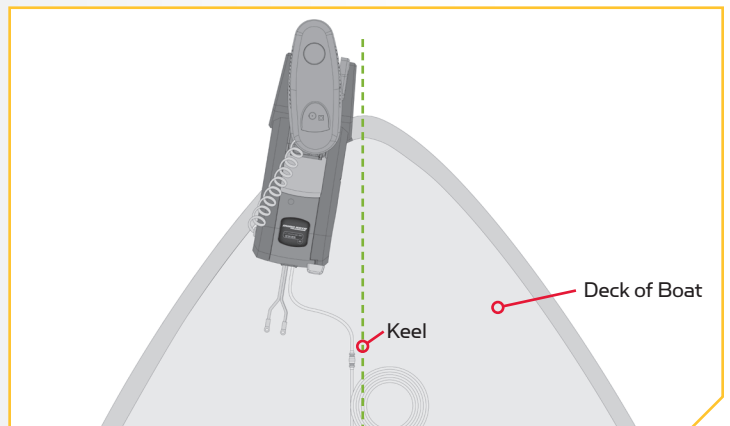
Make sure the motor is mounted on a level surface and is not connected to a power source.

Power Cables



4

- f. Place the mount as close to the centerline or keel of the boat as possible. The motor can be installed on either the Port or Starboard side of the boat based on personal preference. Check placement with the motor in the stowed and deployed positions. Review the mounting considerations at the beginning of the installation.



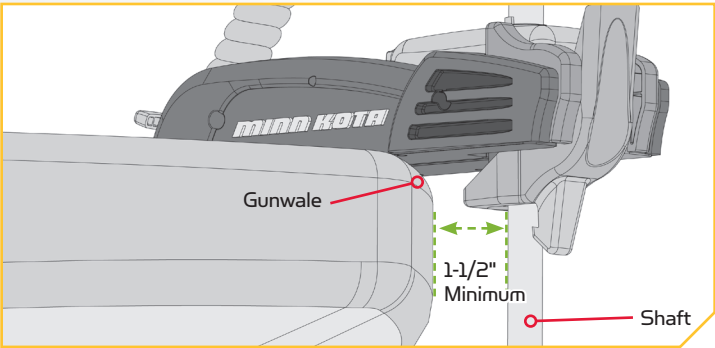


5

ITEM(S) NEEDED

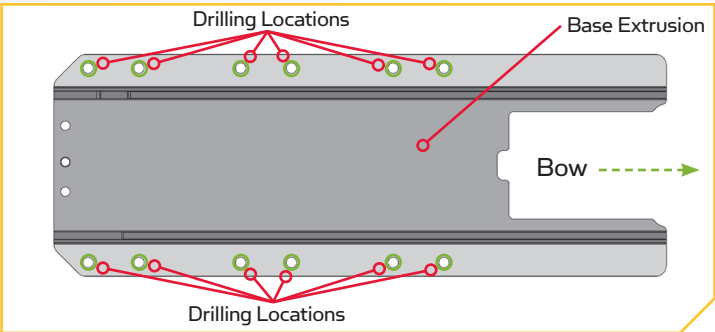
#4 x 6

- g. When the motor is in the deployed position, make sure that the Shaft is 1-1/2" out past the Gunwale of the boat. The lower unit, when stowed and deployed must not encounter any obstructions.
- h. Check to be sure that the mount is level. Use the Rubber Washers (Item#4) provided to create a level surface if necessary.



6

- i. It is recommended to mark at least 6 of the 12 holes in the Base Extrusion and to have a minimum of two bolts on each side that are located the farthest apart. Ideal installation would allow for 6 bolts to be used, with a minimum of 4.
- j. Drill through the deck of the boat using a 9/32" Drill Bit on the marked locations.

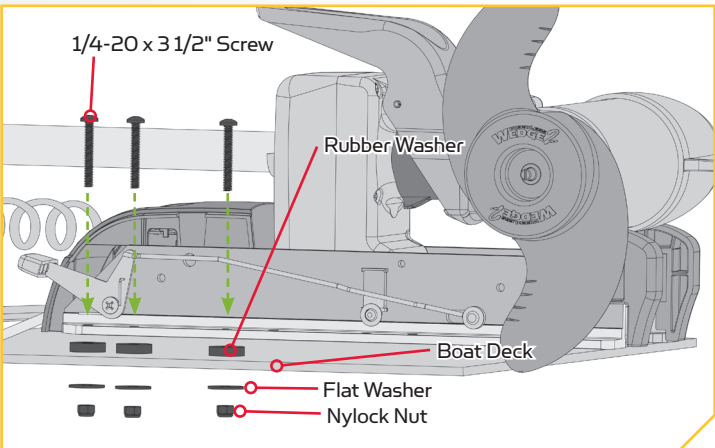


7

ITEM(S) NEEDED

#1 x 6      #4 x 6

- k. Put a 1/4-20 x 3-1/2" (Item #1) screw in each of the drilled locations. The screw should pass through the Base Extrusion and the boat deck. If the Rubber Washers (Item #4) are used, they should sit between the Base Extrusion and boat deck. Make sure to secure the motor with screws on each side of the Base Extrusion.



## INSTALLING THE POWERDRIVE

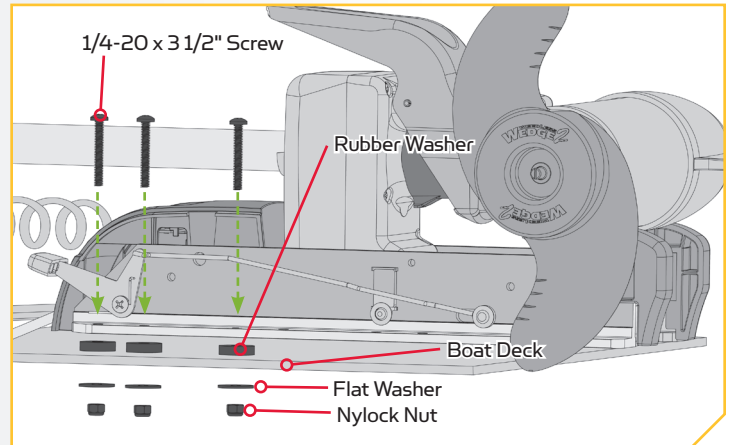
8

### ITEM(S) NEEDED

- #2 x 6
- #3 x 6

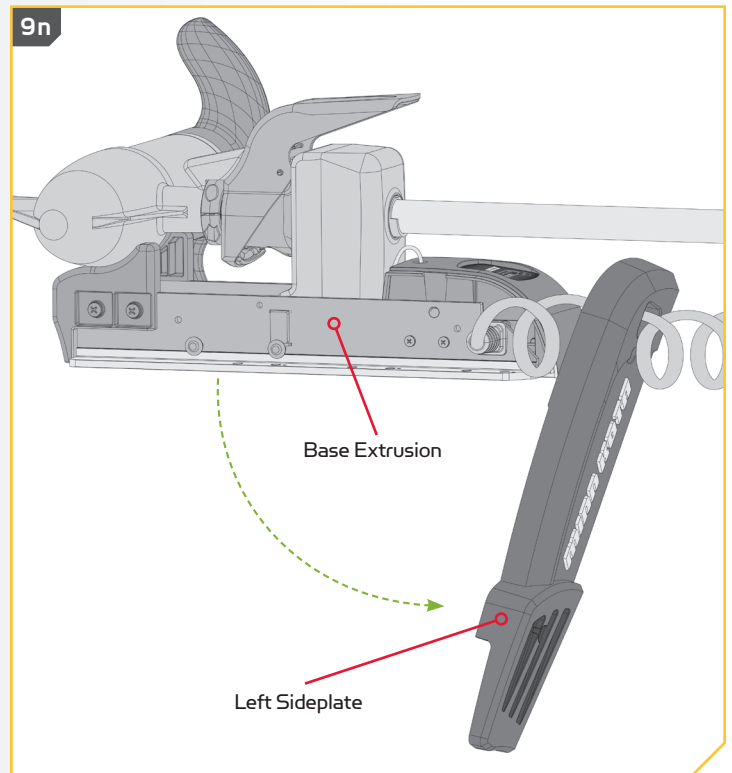
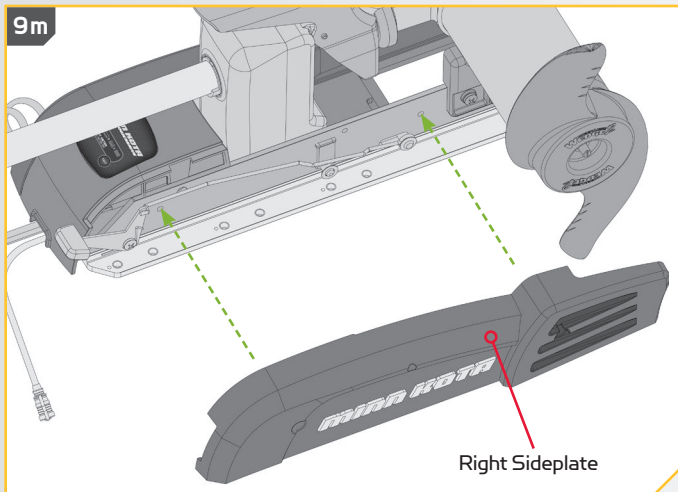
- Place a Flat Washer (Item #2) and then a Nylock Nut (Item #3) at the end of each screw as shown and secure. Make sure all hardware is secure.

**NOTE:** To prevent seizing of the stainless steel hardware, do not use high speed installation tools. Wetting the screws or applying an anti-seize may help prevent seizing.



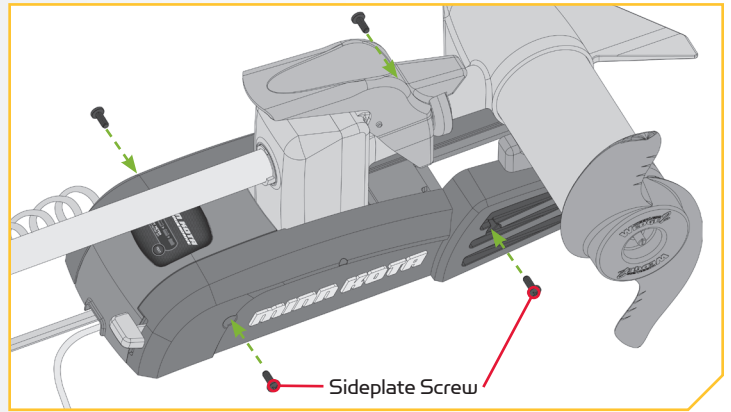
9

- Replace the Right Sideplate.
- Swing the Left Sideplate back into its correct position on the Base Extrusion.



10

- o. Replace the four sideplate screws using a #3 or #2 Phillips screwdriver. Two of these screws will be located on each side of the mount.



11

ITEM(S) NEEDED

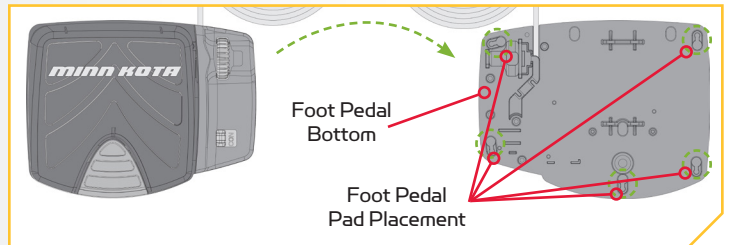
 #17 x 5



#10 x 1

- p. Take the Foot Pedal (Item #10) and turn it over. Put a Foot Pedal Pad (Item #17) in each of the pad locations.

**NOTE:** The pads are recommended when using the Foot Pedal on non-carpeted surfaces.



## Routing Universal Sonar

Your trolling motor may be pre-installed with a Universal Sonar transducer system. Universal Sonar is a 2D sonar transducer with a temperature sensor that is integrated into the lower unit of the trolling motor. It has an operating frequency of 83/200 kHz. Connecting this transducer to a compatible fish finder\* gives you a 2D sonar view of what is happening directly below your trolling motor. The integrated design protects the transducer from underwater hazards, and prevents tangles and damage to the transducer cables.

In certain situations, air bubbles may adhere to the surface of the Universal Sonar transducer, and effect the performance. If this happens simply wipe the surface of the transducer with your finger.

All Universal Sonar motors are equipped with an internal bonding wire, incorrect rigging will cause sonar interference and can damage your trolling motor, electronics and other boat accessories. Please refer to the Battery & Wiring Installation and Motor Wiring Diagram sections of this manual for correct rigging instructions.

**NOTE:** Universal Sonar only provides 2D sonar that operates at 83/200 kHz. It does not support imaging screens that require higher frequencies such as 455 kHz or 800 kHz (Down Imaging, Side Imaging, etc.). Down Imaging (DI) specific units are not compatible with Universal Sonar. See compatibility chart for a list of compatible fish finders at [minnkotamotors.com](http://minnkotamotors.com). \*Requires an adapter that is sold separately. For a current list of compatible fish finders and the correct adapter cable, please visit [minnkotamotors.com](http://minnkotamotors.com).



## ROUTING UNIVERSAL SONAR

Your trolling motor may be pre-installed with a Universal Sonar transducer system. For compatibility and more information on Universal Sonar, please visit [minnkotamotors.com](http://minnkotamotors.com). Your trolling motor may also be pre-installed with i-Pilot. To learn more about the GPS capabilities available with your i-Pilot navigation system, please refer to the corresponding Owner's Manual by visiting [minnkotamotors.com](http://minnkotamotors.com).

Universal Sonar requires cables to be connected to an output device. This connection is present on the trolling motor inside the Control Head. The i-Pilot system does not need an external wired connection. If a connection is present, it is to connect the Universal Sonar. Please follow the Minn Kota recommendations on routing the cables to optimize mobility and maximize functionality. The routing will be the same regardless of the number of cables present. Use the following instructions to properly route cables.

The Universal Sonar Cables are shielded to minimize interference. To protect this shielding the cables should not be pulled tight against sharp angles or hard objects. If using cable ties, do not over-tighten. Any excess cable should be bundled in a loose loop of no less than 4" in diameter.

To minimize trolling motor interference, ensure that the fish finder and trolling motor are powered by separate batteries. Please refer to the Battery & Wiring Installation and Motor Wiring Diagram sections of this manual for correct rigging instructions.

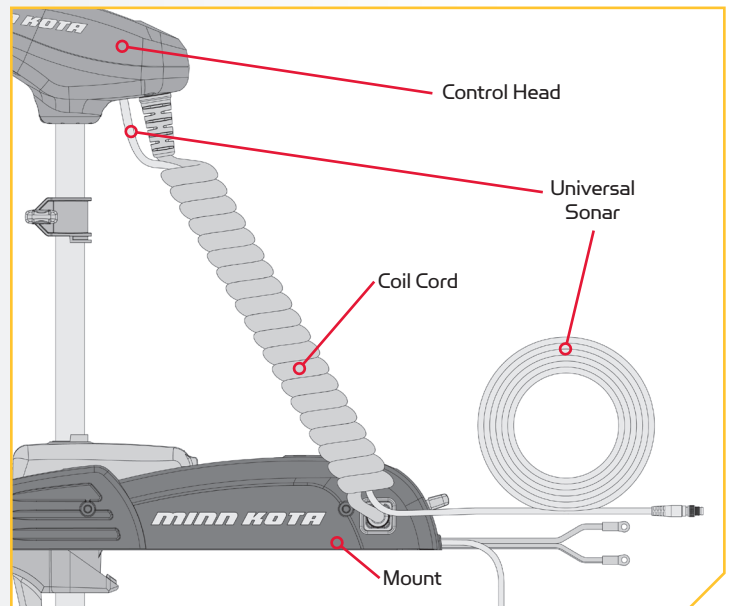
1

- a. Place the motor in the stowed position.
- b. Locate the Universal Sonar, at the base of the Control Head.

### CAUTION

Not following the recommended wire routing for the Universal Sonar cables, if equipped, may cause damage to the product and void your product warranty. Route cables away from pinch points or other areas that may cause them to bend in sharp angles. Routing the cables in any way other than directed may cause damage to the cables by being pinched or severed.

- c. The Universal Sonar Cable should be fed all the way through the Coil Cord. It should exit the Coil Cord at the bottom of the Coil Cord, where it connects to the Mount.



**NOTE:** After the Universal Sonar Cable exits the Coil Cord, it should be routed through an established routing system on the boat, in an area with minimal interference. Inspect the selected route carefully to ensure that there are no sharp edges, obstacles, or obstructions that may damage the cables.

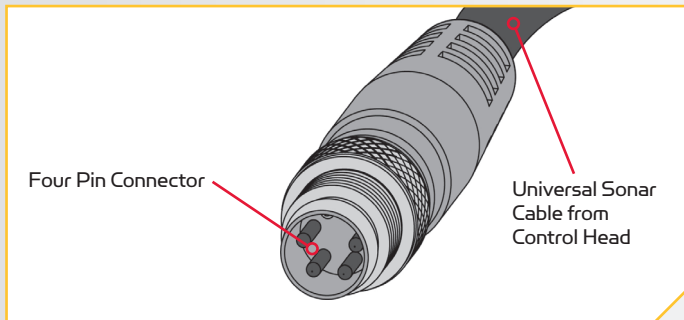
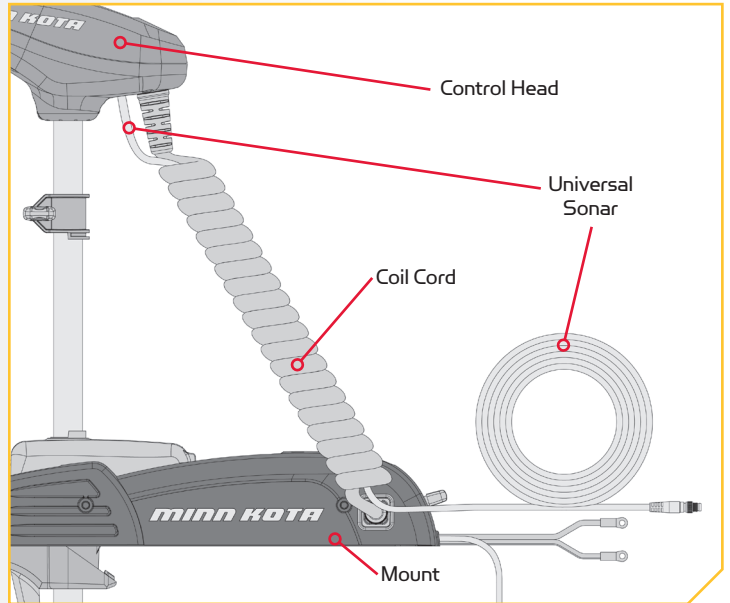
## Connecting a Universal Sonar Extension Cable

The Universal Sonar Cable may not be long enough to reach the fish finder. If the cable length does not reach the desired fish finder installation location, a 14.5' extension cable is available. Minn Kota recommends using the MKR-US2-11.

1

- a. Place the motor in the stowed position.
- b. Locate the Universal Sonar, if equipped, at the base of the Mount.
- c. Locate the Universal Sonar four pin connector at the end of Universal Sonar Extension Cable. The connector is black with a stainless steel threaded locking collar.

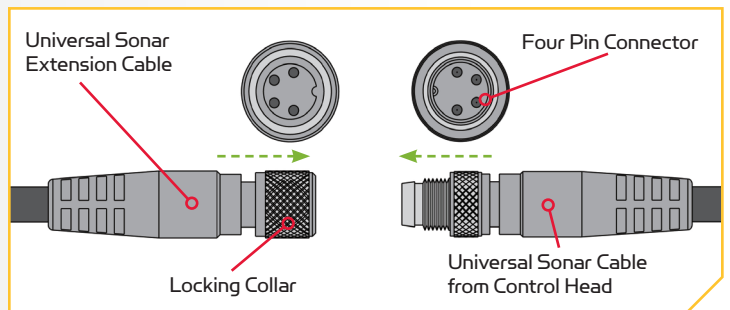
**NOTE:** Your fish finder should be turned off until this procedure is complete.



**NOTE:** If the cable length does not reach the desired fish finder installation location, a 14.5' extension cable is available (MKR-US2-11) (sold separately).

2

- d. Align the pins of the Universal Sonar connector plug from the Control Head with the matching socket end of the appropriate Universal Sonar Extension Cable for your fish finder. Firmly push the connector plug into the socket of the Universal Sonar connection. Twist the locking collar until it is snug.
- e. Connect the other end of your adapter plug to your fish finder following the manufacturer's instructions.



**NOTE:** The connectors are keyed to prevent reversed installation.

# BATTERY & WIRING INSTALLATION

## BOAT RIGGING & PRODUCT INSTALLATION

For safety and compliance reasons, we recommend that you follow American Boat and Yacht Council (ABYC) standards when rigging your boat. Altering boat wiring should be completed by a qualified marine technician. The following specifications are for general guidelines only:

### CAUTION

These guidelines apply to general rigging to support your Minn Kota motor. Powering multiple motors or additional electrical devices from the same power circuit may impact the recommended conductor gauge and circuit breaker size. If you are using wire longer than that provided with your unit, follow the conductor gauge and circuit breaker sizing table below. If your wire extension length is more than 25 feet, we recommend that you contact a qualified marine technician.

### CAUTION

**An over-current protection device (circuit breaker or fuse) must be used.** Coast Guard requirements dictate that each ungrounded current-carrying conductor must be protected by a manually reset, trip-free circuit breaker or fuse. The type (voltage and current rating) of the fuse or circuit breaker must be sized accordingly to the trolling motor used. The table below gives recommended guidelines for circuit breaker sizing.

## CONDUCTOR GAUGE AND CIRCUIT BREAKER SIZING TABLE

This conductor and circuit breaker sizing table is only valid for the following assumptions:

1. No more than 3 conductors are bundled together inside of a sheath or conduit outside of engine spaces.
2. Each conductor has 105° C temp rated insulation.
3. No more than 5% voltage drop allowed at full motor power based on published product power requirements.

Motor Thrust / Model	Max Amp Draw	Circuit Breaker	Wire Extension Length				
			5 feet	10 feet	15 feet	20 feet	25 feet
30 lb.	30	50 Amp @ 12 VDC	10 AWG	10 AWG	8 AWG	6 AWG	4 AWG
40 lb., 45 lb.	42		10 AWG	8 AWG	6 AWG	4 AWG	4 AWG
50 lb., 55 lb.	50	60 Amp @ 12 VDC	8 AWG	6 AWG	4 AWG	4 AWG	2 AWG
70 lb.	42	50 Amp @ 24 VDC	10 AWG	10 AWG	8 AWG	8 AWG	6 AWG
80 lb.	56	60 Amp @ 24 VDC	8 AWG	8 AWG	8 AWG	6 AWG	6 AWG
101 lb.	46	50 Amp @ 36 VDC	8 AWG	8 AWG	8 AWG	8 AWG	8 AWG
Engine Mount 101	50	60 Amp @ 36 VDC	8 AWG	6 AWG	4 AWG	4 AWG	2 AWG
112 lb.	52	60 Amp @ 36 VDC	8 AWG	8 AWG	8 AWG	8 AWG	8 AWG
Engine Mount 160	116	(2) x 60 Amp @ 24 VDC	2 AWG	2 AWG	2 AWG	2 AWG	2 AWG
E-Drive	40	50 Amp @ 48 VDC	10 AWG	10 AWG	10 AWG	10 AWG	10 AWG

**NOTE:** Wire Extension Length refers to the distance from the batteries to the trolling motor leads. Consult website for available thrust options. Maximum Amp Draw values only occur intermittently during select conditions and should not be used as continuous amp load ratings.

### Reference

United States Code of Federal Regulations: 33 CFR 183 – Boats and Associated Equipment ABYC E-11: AC and DC Electrical Systems on Boats

## SELECTING THE CORRECT BATTERIES

The motor will operate with any lead acid, deep cycle marine 12 volt battery/batteries. For best results, use a deep cycle, marine battery with at least a 105 amp-hour rating. Maintain battery at full charge. Proper care will ensure having battery power when you need it, and will significantly improve the battery life. Failure to recharge lead-acid batteries (within 12-24 hours) is the leading cause of premature battery failure. Use a multi-stage charger to avoid overcharging. We offer a wide selection of chargers to fit your charging needs. If you are using a crank battery to start a gasoline outboard, we recommend that you use a separate deep cycle marine battery/batteries for your Minn Kota trolling motor. For more information on battery selection and rigging, please visit [minnkotamotors.com](http://minnkotamotors.com).

### **WARNING**

Never connect the (+) and the (-) terminals of the same battery together. Take care that no metal object can fall onto the battery and short the terminals. This would immediately lead to a short and extreme fire danger.

### **CAUTION**

Refer to “Conductor Gauge and Circuit Breaker Sizing Table” in the previous section to find the appropriate circuit breaker or fuse for your motor. For motors requiring a 60-amp breaker, the Minn Kota MKR-19 60-amp circuit breaker is recommended.

### **CAUTION**

Please read the following information before connecting your motor to your batteries in order to avoid damaging your motor and/or voiding your warranty.

## ADDITIONAL CONSIDERATIONS

### Using DC or Alternator Chargers

Your Minn Kota trolling motor may be designed with an internal bonding wire to reduce sonar interference. Most alternator charging systems do not account for this bonding wire, and connect the negative posts of the trolling motor batteries to the negative posts of the crank/starting battery. These external connections can damage connected electronics and the electrical system of your trolling motor, voiding your warranty. Review your charger’s manual carefully or consult the manufacturer prior to use to ensure your charger is compatible.

Minn Kota recommends using Minn Kota brand chargers to recharge the batteries connected to your Minn Kota trolling motor, as they have been engineered to work with motors that include a bonding wire.

### Additional Accessories Connected to Trolling Motor Batteries

Significant damage to your Minn Kota motor, your boat electronics, and your boat can occur if incorrect connections are made between your trolling motor batteries and other battery systems. Minn Kota recommends using an exclusive battery system for your trolling motor. Where possible, accessories should be connected to a separate battery system. Radios and sonar units should not be connected to any trolling motor battery systems as interference from the trolling motor is unavoidable. If connecting any additional accessories to any trolling motor battery system, or making connections between the trolling motor batteries and other battery systems on the boat, be sure to carefully observe the information below.



## CONNECTING THE BATTERIES

---

The negative (-) connection must be connected to the negative terminal of the same battery that the trolling motor negative lead connects to. In the diagrams below this battery is labeled “Low Side” Battery. Connecting to any other trolling motor battery will input positive voltage into the “ground” of that accessory, which can cause excess corrosion. Any damage caused by incorrect connections between battery systems will not be covered under warranty.

### **Automatic Jump Start Systems and Selector Switches**

Automatic jump start systems and selector switches tie the negatives of the connected batteries together. Connecting these systems to the “High Side” Battery or “Middle” Battery in the diagrams below and will cause significant damage to your trolling motor and electronics. The only trolling motor battery that is safe to connect to one of these systems is the “Low Side” Battery.

**NOTE:** The internal bonding wire is equipped with a 3 amp fuse. Improper connections described above carrying in excess of 3 amps will blow this fuse and no further damage will be exhibited. If this occurs, RF interference from the trolling motor affecting sonar units and other electronics will be more significant. If the fuse is blown the wiring error should be found and addressed prior to replacing the fuse. The replacement fuse should be 3 amps or less. An intact fuse does not imply correct rigging; significant damage can be done by incorrect wiring without approaching 3 amps of current.

## CONNECTING THE BATTERIES

### **12 Volt Systems**

1. Make sure that the motor is switched off (speed selector on “OFF” or “O”).
2. Connect positive (+) red lead to positive (+) battery terminal.
3. Connect negative (-) black lead to negative (-) battery terminal.
4. For safety reasons do not switch the motor on until the propeller is in the water.



## **WARNING**

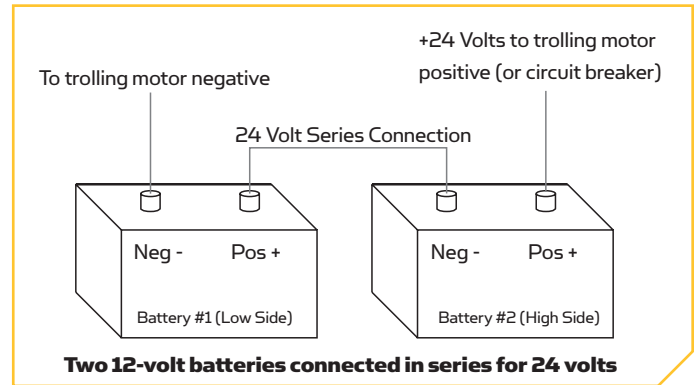
For safety reasons do not switch the motor on until the propeller is in the water. If installing a leadwire plug, observe proper polarity and follow instructions in your boat owner’s manual.

## CONNECTING THE BATTERIES IN SERIES (IF REQUIRED FOR YOUR MOTOR)

### 24 Volt Systems

Two 12 volt batteries are required. The batteries must be wired in series, only as directed in wiring diagram, to provide 24 volts.

1. Make sure that the motor is switched off (speed selector on "0").
2. Connect a connector cable to the positive (+) terminal of battery 1 and to the negative (-) terminal of battery 2.
3. Connect positive (+) red motor lead to positive (+) terminal on battery 2.
4. Connect negative (-) black motor lead to negative (-) terminal of battery 1.



### **WARNING**

For safety reasons do not switch the motor on until the propeller is in the water. If installing a leadwire plug, observe proper polarity and follow instructions in your boat owner's manual.

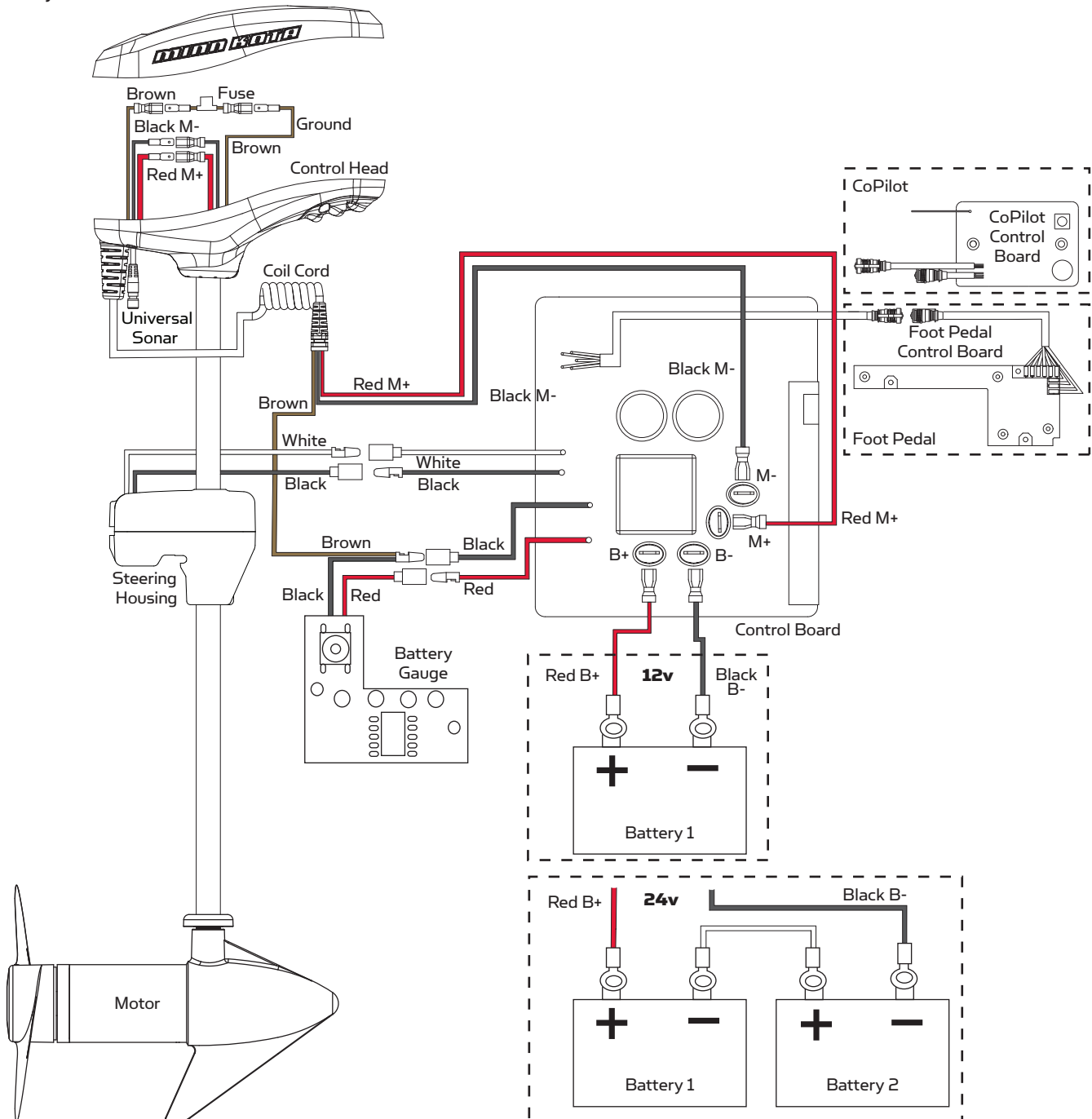
### **WARNING**

- For safety reasons, disconnect the motor from the battery or batteries when the motor is not in use or while the battery/ batteries are being charged.
- Improper wiring of 24/36 volt systems could cause battery explosion.
- Keep leadwire wing nut connections tight and solid to battery terminals.
- Locate battery in a ventilated compartment.

# MOTOR WIRING DIAGRAM

## POWERDRIVE

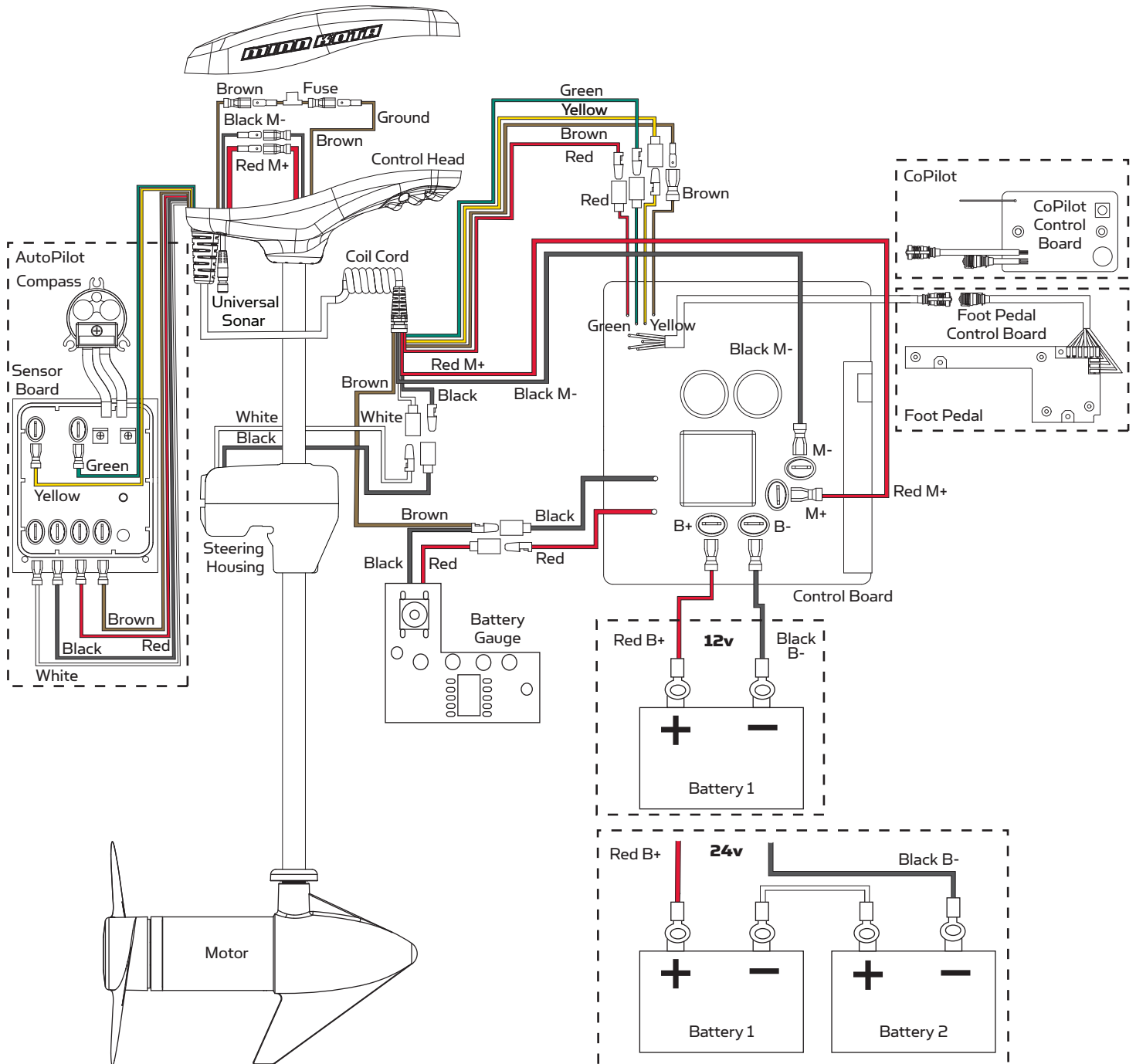
The following Motor Wiring Diagram applies to all PowerDrive models that do not come factory installed with AutoPilot or i-Pilot. CoPilot and Universal Sonar are optional features that may come factory installed. CoPilot can be installed as an after market accessory.



**NOTE:** This is a multi-voltage diagram. Double-check your motor's voltage for proper connections. Over-Current Protection Devices are not shown in this illustration. If equipped with Universal Sonar, please see instruction sheet on the website at [minnkotamotors.com](http://minnkotamotors.com).

## POWERDRIVE WITH AUTOPILOT

The following Motor Wiring Diagram applies to all PowerDrive models that come factory installed with AutoPilot. CoPilot and Universal Sonar are optional features that may come factory installed. CoPilot can be installed as an after market accessory.

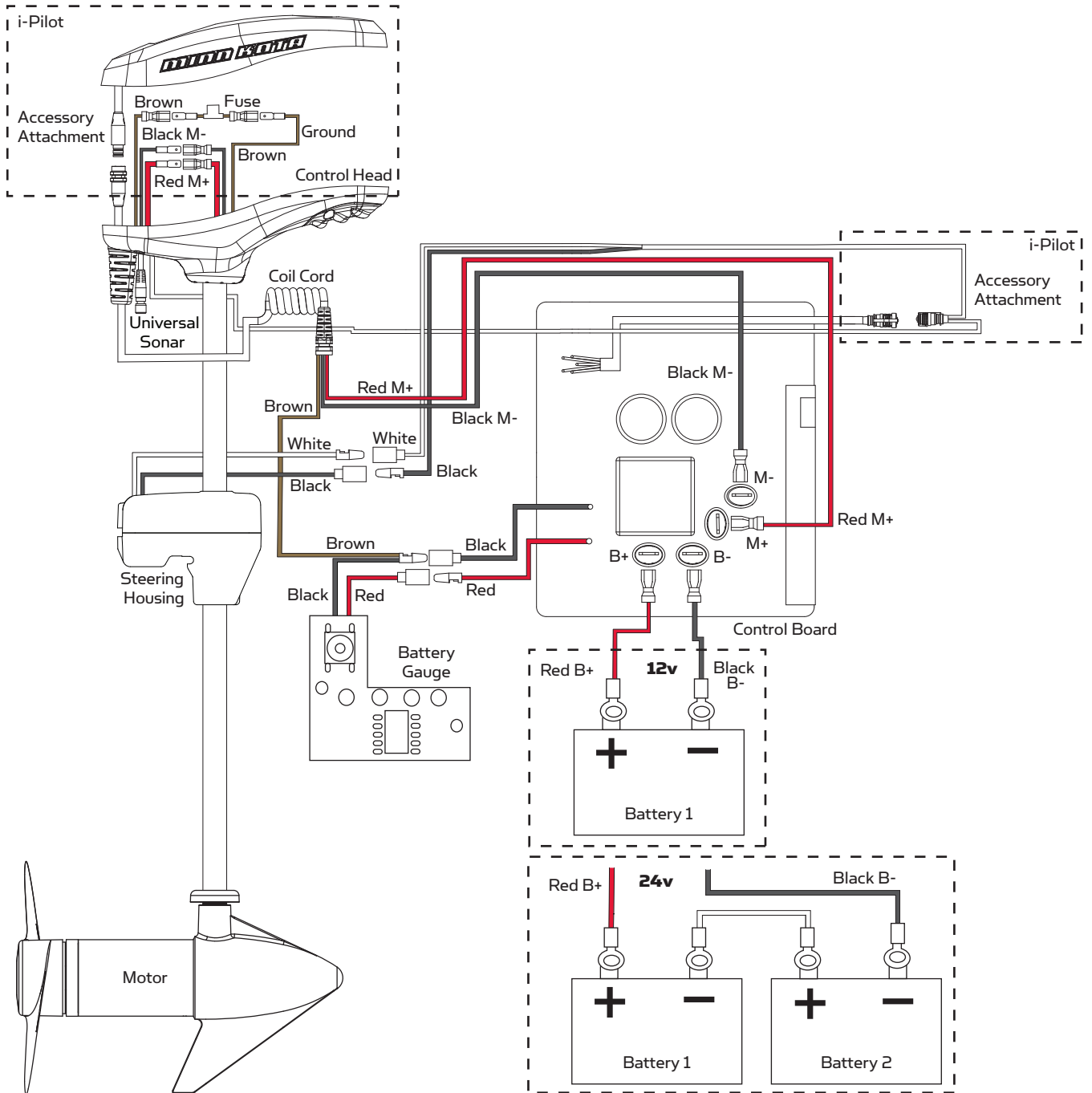


**NOTE:** This is a multi-voltage diagram. Double-check your motor's voltage for proper connections. Over-Current Protection Devices are not shown in this illustration. If equipped with Universal Sonar, please see instruction sheet on the website at [minnkotamotors.com](http://minnkotamotors.com).



## POWERDRIVE WITH i-PILOT

The following Motor Wiring Diagram applies to all PowerDrive models that come factory installed with i-Pilot. Universal Sonar is an optional feature that may come factory installed.

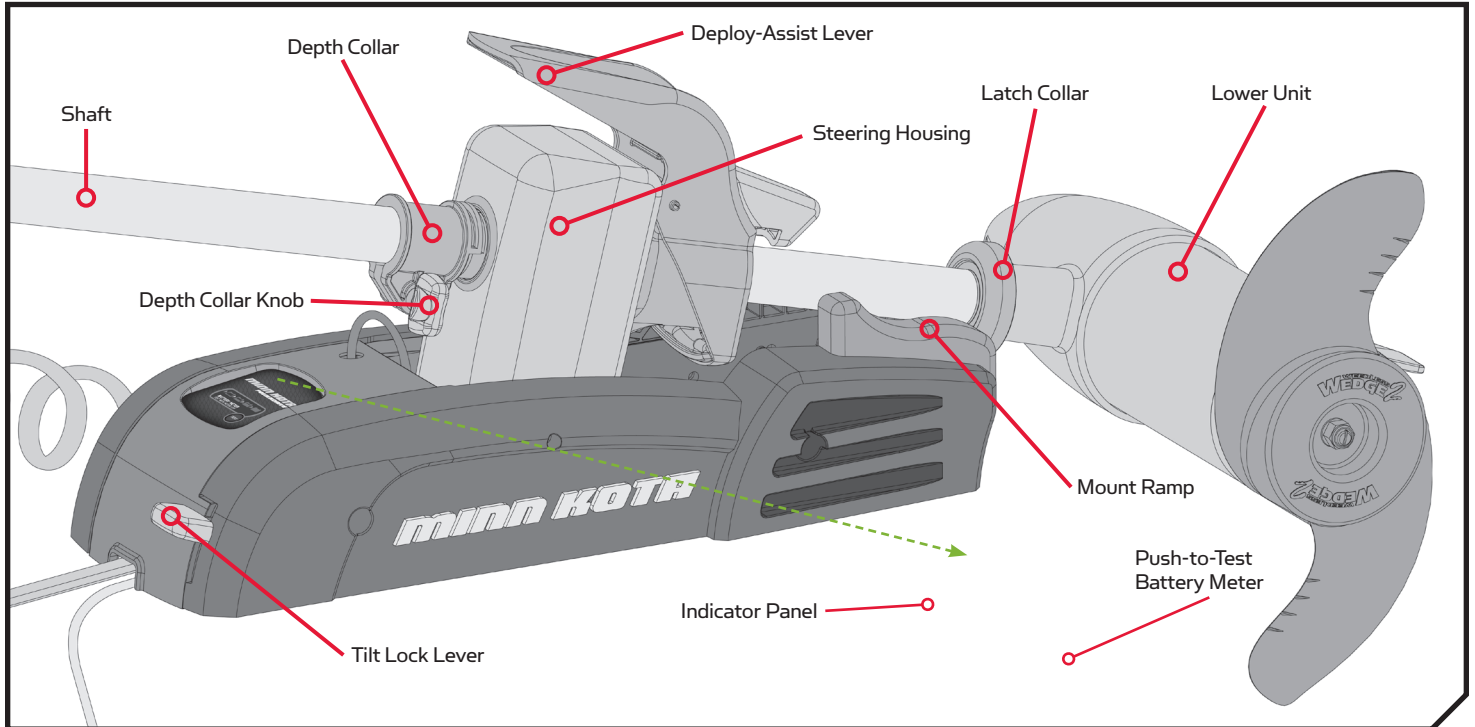


**NOTE:** This is a multi-voltage diagram. Double-check your motor's voltage for proper connections. Over-Current Protection Devices are not shown in this illustration. If equipped with Universal Sonar, please see instruction sheet on the website at [minnkotamotors.com](http://minnkotamotors.com).

# USING & ADJUSTING THE MOTOR

## MOUNT FEATURES

Become familiar with the features of the motor to maximize the capabilities this product offers.



### Depth Collar & Depth Collar Knob

The Depth Collar is located on the Shaft above the Steering Housing. It functions to hold the motor at the proper depth while deployed. It also functions to hold the Lower Unit in place when stowed while not in use and during transport. The Depth Collar Knob is used to loosen and tighten the Depth Collar so that it can be used to slide up and down the motor shaft.

## WARNING

When the motor is being transported, it is important to place the Depth Collar snug against the Steering Housing and tighten. This provides a secure stow and holds the motor in place during transportation when it is subject to high levels of shock and vibration. Failure to secure the motor may result in injury or damage to the unit.

### Deploy-Assist Lever

The Deploy-Assist Lever is located at the top of the mount when the motor is in the stowed position. The Deploy-Assist Lever functions to unlatch the motor when it is stowed and press on the Latch Collar to assist in deploying the motor. The Deploy-Assist Lever also captures the Latch Collar when the motor is stowed, holding the motor in place so it can be secured with the Depth Collar.

### Latch Collar

The Latch Collar is located on the motor shaft just above the Lower Unit. It functions to help secure the motor in place while it is stowed. When stowed the Latch Collar is captured in the Deploy-Assist Lever.

## WARNING

When stowing or deploying the motor, keep fingers clear of all hinge and pivot points and all moving parts.

## ADJUSTING THE DEPTH OF THE MOTOR

### Tilt Lock Lever

The Tilt Lock Lever is located at the base of the mount opposite of the Lower Unit. The Tilt Lock Lever is used to unlatch the Steering Housing from the stowed position so the motor can be tilted, pulled upwards and stowed.

### Mount Ramp

The Mount Ramp functions to hold the Lower Unit in place when the motor is stowed. The Lower Unit will rest on the Mount Ramp when stowed, helping to secure it in place.

## WARNING

When the motor is being transported, it is important to place the Depth Collar snug against the Steering Housing and tighten. This provides a secure stow and holds the motor in place during transportation when it is subject to high levels of shock and vibration. Failure to secure the motor may result in injury or damage to the unit.

## STOWING AND DEPLOYING THE MOTOR

### To Deploy the Motor

Loosen the Depth Collar, then push firmly down on the Deploy-Assist Lever to release the Latch Collar and slide the motor forward, out from the Mount Ramp. Lower the motor to the desired depth. Make sure it clicks into a secure, vertical position. Once at the desired depth, slide the Depth Collar against the Steering Housing and tighten.

### To Stow the Motor

Loosen the Depth Collar and depress the Tilt Lock Lever and raise the motor by pulling up on the composite shaft or control head. Pull the motor toward the stern until it rests securely on the Mount Ramp and the Deploy-Assist Lever captures the Latch Collar. Slide the Depth Collar down and secure it against the top of the Steering Housing to secure the motor in place and prevent accidental deployment.

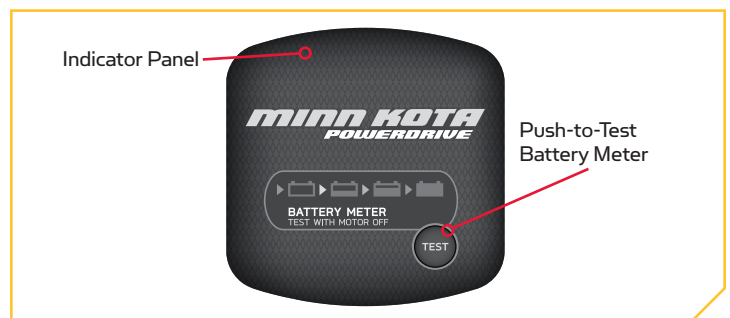
## WARNING

When stowing or deploying the motor, keep fingers clear of all hinge and pivot points and all moving parts. Practice proper ergonomics when stowing and deploying the motor to prevent injury.

## PUSH-TO-TEST BATTERY METER

This motor is equipped with a Push-to-Test Battery Meter. The LED lights are located on the Indicator Panel on the Mount of the motor. The Battery Meter provides an accurate display of the remaining charge in the battery. It is only accurate when the motor is off. The meter reads as follows:

- One light indicates recharge.
- Two lights indicate low charge.
- Three lights indicate good charge.
- Four lights indicate full charge.



## MOTOR ADJUSTMENTS

### Adjusting the Depth of the Motor

Once the boat is on the water, it may be necessary to adjust the Lower Unit up or down to achieve an optimum depth for motor performance. When setting the depth of the motor, be sure the top of the motor is submerged at least 12" below the surface of the water to avoid churning or agitation of surface water.

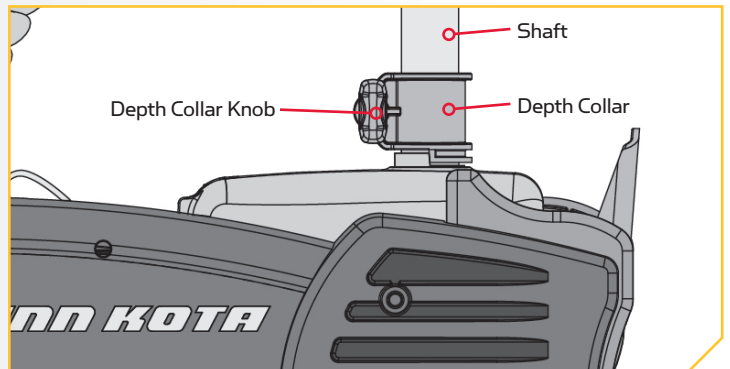
1

- a. With the motor in the deployed position, locate the Depth Collar on the Shaft above the Steering Housing.
- b. While holding the Shaft, loosen the Depth Collar Knob until the Shaft can slide up and down freely.



### WARNING

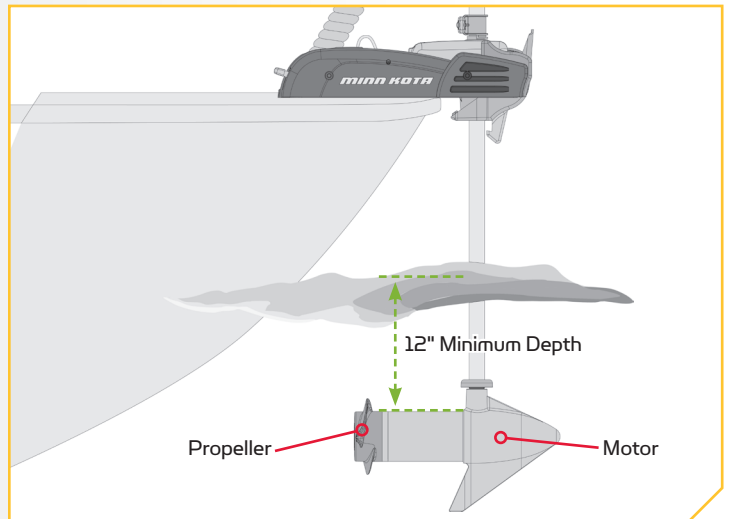
The Control Head will create a pinch point if the Depth Collar Knob is loosened and the Control Head slides to the top of the Depth Collar. Grasp the Shaft and prevent it from sliding all the way down to prevent the pinch point.



2

- c. Raise or lower the motor to the desired depth.
- d. Turn the motor control head to the desired position.
- e. Slide the Depth Collar against the Steering Housing and tighten the Depth Collar Knob to secure the motor in place.

**NOTE:** Be sure the top of the motor is submerged at least 12" below the surface of the water to avoid churning or agitation of surface water.

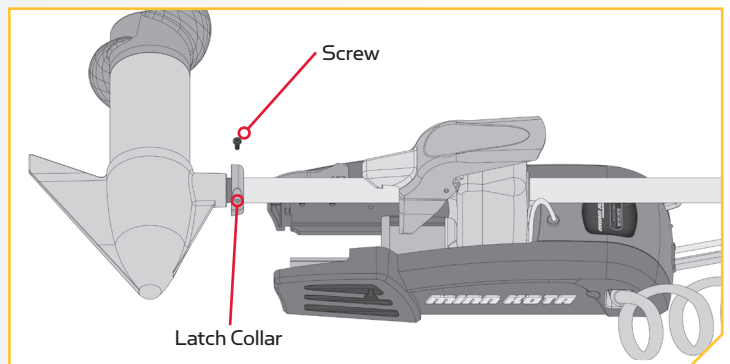


## Adjusting the Latch Collar

Once the motor has been used, it may be necessary to adjust the Latch Collar up or down. The ideal adjustment is a slightly loose fit that completely captures the Latch Collar in the Deploy Assist Lever when stowed.

1

- a. With the motor in the stowed position, locate the Latch Collar.
- b. Using a #2 Phillips Screwdriver, loosen the screw securing the Latch Collar in place.

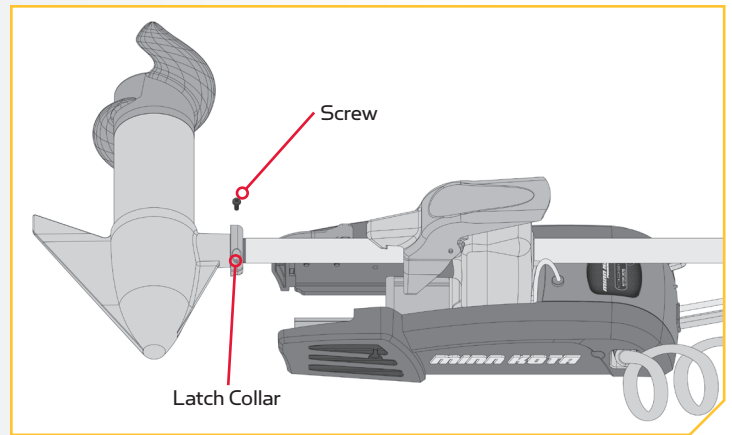




## INSTALLING AN EXTERNAL TRANSDUCER

2

- c. Rotate the Latch Collar so it fits comfortably within the hold of the Deploy Assist Lever.
- d. Re-tighten the screw to secure the Latch Collar in place.



## Installing an External Transducer

Your trolling motor may be pre-installed with a Universal Sonar transducer system. For compatibility and more information on Universal Sonar, please visit [minnkotamotors.com](http://minnkotamotors.com). An external transducer is not included with your trolling motor. An external transducer can be installed onto the motor.

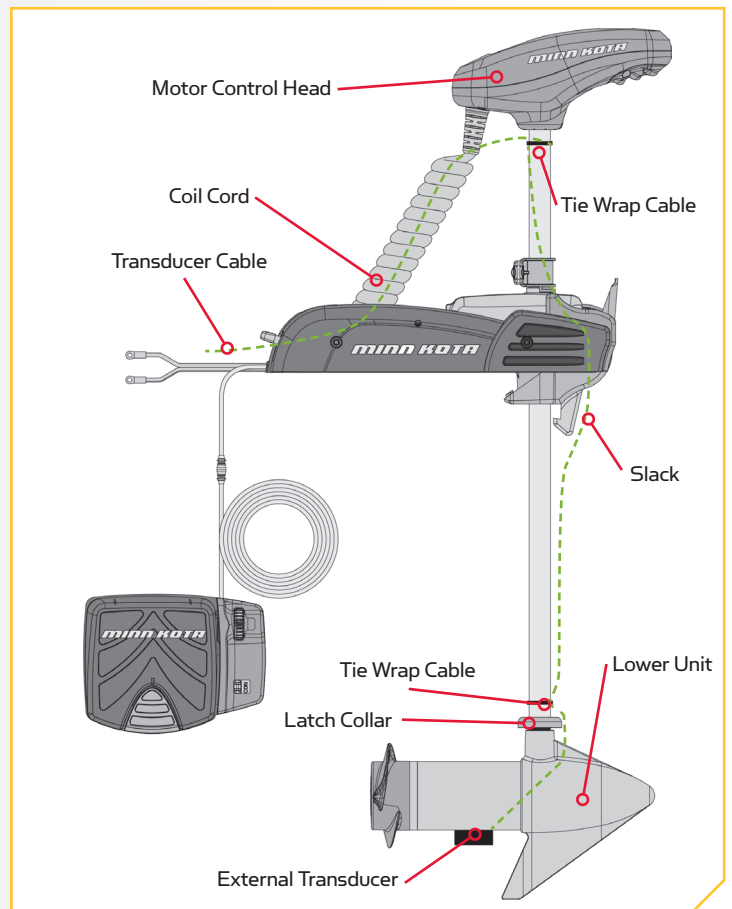
1

- a. Mount the External Transducer according to directions provided with the transducer.
- b. Leave enough slack in the Transducer Cable between the Lower Unit and Motor Control Head to allow the motor to properly stow and deploy.
- c. Use two tie wrap cables to secure the Transducer Cable to the Shaft just above the Latch Collar and just below the Motor Control Head.
- d. Run the Transducer Cable through the Coil Cord to the fish finder.



### CAUTION

Not following the recommended wire routing for the External Transducer may cause damage to the product and void your product warranty. Take care to test the length and placement of cable to be sure that there is enough slack where needed and that cables are free of being entangled in moving parts. Routing the cables in any way other than directed may cause damage to the cables by being pinched or severed.



## Adjusting the Lower Unit for a Secure Stow

When the Motor is stowed, the Lower Unit should rest on the Mount Ramp, a part of the Motor Mount. It is recommended to secure the motor using the following instructions to avoid damage to the motor and shaft from vibrations during transport.

1

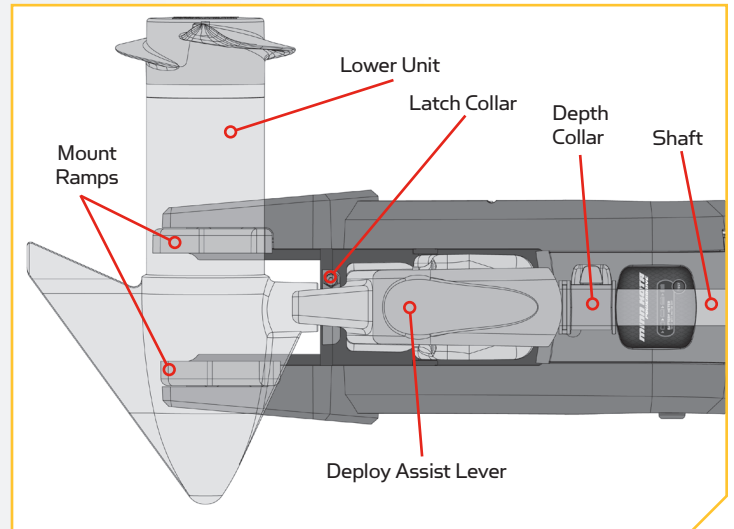
- a. Before transporting the boat over water or land, stow the motor to determine where the Lower Unit rests on the Mount Ramp.

**NOTE:** The correct positioning of the Lower Unit will place it directly on the Mount Ramps.

- b. If the Lower Unit does not sit on the Mount Ramps, refer to the Adjusting the Latch Collar section of this manual. Making adjustments to the Latch Collar will help the Lower Unit stay on the Mount Ramps as it is captured by the Deploy Assist Lever.

### CAUTION

The Lower Unit should be placed on the Mount Ramps every time the motor is transported. If the Lower Unit is improperly placed, either above or below the Motor Rest Area, damage to the Lower Unit or Shaft will occur and the Shaft will be incorrectly captured. Not following the recommended placement for the Lower Unit will cause damage to the product and void your product warranty.

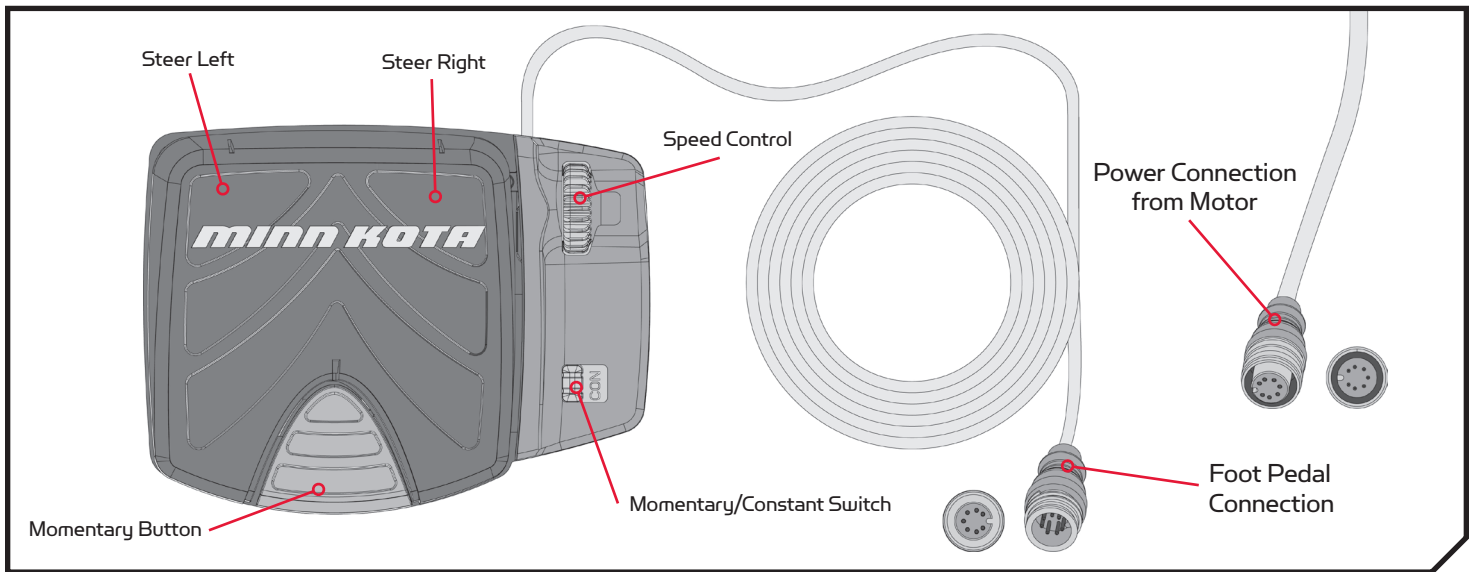


**NOTE:** Slide the Depth Collar down and secure it against the top of the Steering Housing when stowed to secure the motor in place and prevent accidental deployment.

# USING THE FOOT PEDAL

## CONTROLLING SPEED & STEERING WITH THE FOOT PEDAL

The foot pedal is used to operate the motor, and controls on the foot pedal are easy to operate by either foot or hand. The motor can also be controlled by an i-Pilot remote, or a compatible Minn Kota remote if applicable. Please refer to the i-Pilot or compatible remote manual on how the remote controls the motor. To learn more about accessories that are compatible with the PowerDrive please visit [minnkotamotors.com](http://minnkotamotors.com).



### Momentary Button

The Momentary Button is located at the heel end of the foot pedal and is used to turn the propeller on.

### Momentary/Constant Switch

The Momentary/Constant Switch is used to toggle between Momentary and Constant Mode. During Momentary Mode (MOM), the propeller only turns while pressure is applied to the Momentary Button. While in Constant Mode (CON), the propeller will run continuously regardless of pressure being applied to the Momentary Button.

If a propeller encounters an obstruction while either in Momentary or Constant Mode, while the propeller is running, the increased electrical current being generated by the obstruction will signal the motor to decrease the power to the propeller to prevent damage. If the current overload is detected for more than 20 seconds, the prop will be disabled to prevent damage to the motor. In this event, the operator can turn the prop back on after being sure that the obstruction has been cleared.

### Speed Control

The Speed Control dial is on the upper right side of the toe end of the Foot Pedal. Turn the Speed Knob forward to increase speed and backward to decrease speed. Speed can also be adjusted using the remote, if applicable.

### Steer Right and Steering Left

The main button on the foot pedal is to control steering. Steer Right by applying pressure to the right side of the button and Steer Left by applying pressure to the left side of the button. The position and direction of the Steering Head directly corresponds to the position of the motor. You must use your foot on the pedal to control the steering direction during manual operation. The direction of the motor can also be controlled with the remote.



## CAUTION

The steering system is designed to turn your motor 360°. Be careful to avoid over-wrapping the coil cord around the composite shaft. Damage to the coil cord can occur when it is over-wrapped, which will prevent the motor from operating correctly.

### Steering in Reverse

The propeller always turns in the forward direction. You can reverse the direction of thrust by turning the motor 180°.

**NOTE:** The motor will not auto correct to drive straight.

### **WARNING**

You are responsible for the safe and prudent operation of your vessel. We have designed PowerDrive to be an accurate and reliable tool that will enhance boat operation and improve your ability to catch fish. This product does not relieve you from the responsibility for safe operation of your boat. You must avoid hazards to navigation and always maintain a permanent watch so you can respond to situations as they develop. You must always be prepared to regain manual control of your boat. Learn to operate your PowerDrive in an area free from hazards and obstacles.

### **CAUTION**

For safety reasons, disconnect the motor from the battery/batteries when the motor is not in use or while the battery/batteries are being charged. If the motor control is left on and the propeller rotation is blocked, severe motor damage can result.

### **WARNING**

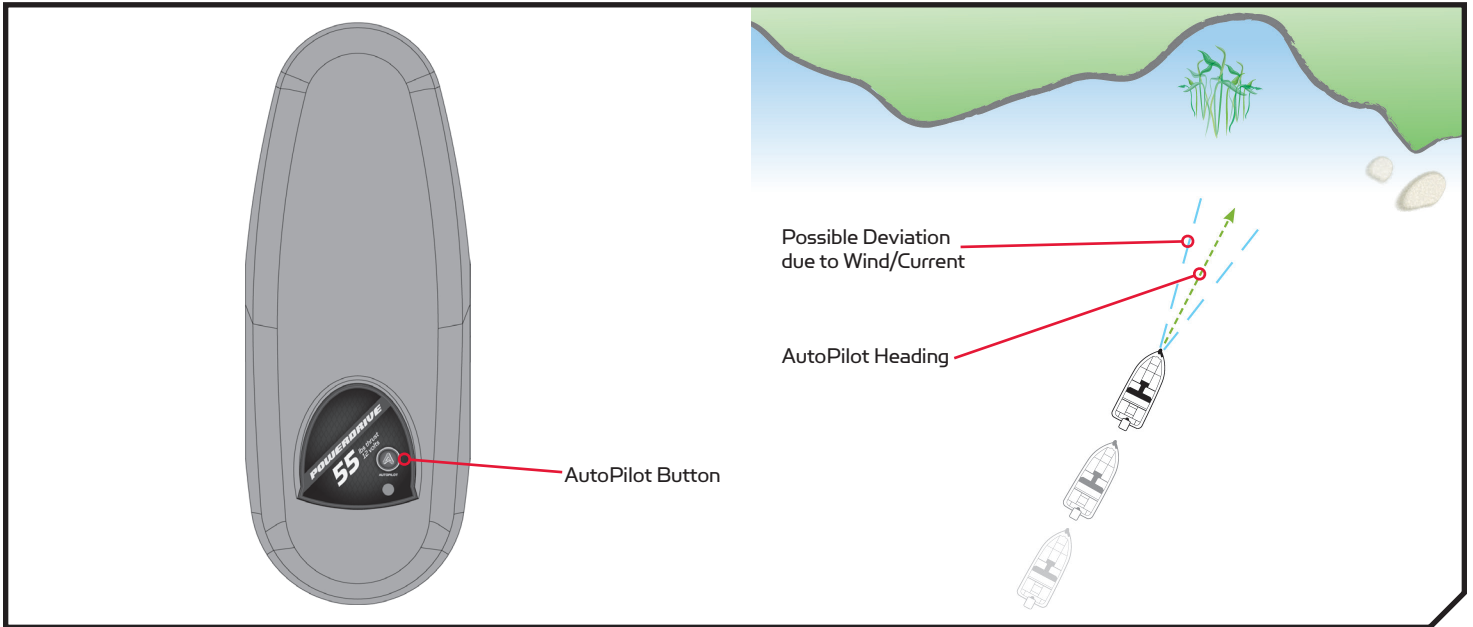
Practice proper ergonomics when operating the foot pedal to prevent injury.



# AUTOPILOT™

## AUTOPILOT™ CONTROLS

Your PowerDrive may be purchased with factory installed AutoPilot. The Minn Kota AutoPilot™ uses a magnetic compass and microprocessor chip to keep the trolling motor pointed in the direction you want to go. Each time the wind or water current moves the boat off course, the AutoPilot senses the change and steers itself back to the original heading. The AutoPilot direction is set every time a steering change is made. To change direction, steer until the control head points to the desired course. The AutoPilot will pull the bow of the boat around and correct automatically until the boat is moving in the direction you chose.



### AutoPilot

AutoPilot uses an internal compass to provide heading lock. When AutoPilot is on, it keeps the motor pointed in the same compass direction. If a manual steering correction is made, AutoPilot locks onto the new compass heading to which the boat was steered. This method of heading tracking does not take into account external forces such as a side wind or currents, which can allow side drift.

## CAUTION

This unit uses a magnetic compass to detect direction of travel. The compass can be adversely affected by magnets or large, ferrous metal objects near (within 12" of) the trolling motor control head.

Obstructions on the propeller may cause excessive vibration of the motor head. This vibration can cause the compass to wander and erratic steering to occur. Clear the obstruction to return the motor to normal operation.

## CONTROLLING AUTOPILOT

**Toggle AutoPilot On/Off**

When the AutoPilot is on and the trolling motor is pulled out of the water to the stow position, the steering motor will continue to run. Turn off the AutoPilot switch to stop the steering motor. If the switch is left on, the steering motor will shut off automatically after 10 seconds. The motor should not be stored in this condition for long periods as power is still being applied to all electronics. Always turn the Autopilot switch off and disconnect your motor from the battery when storing your boat.

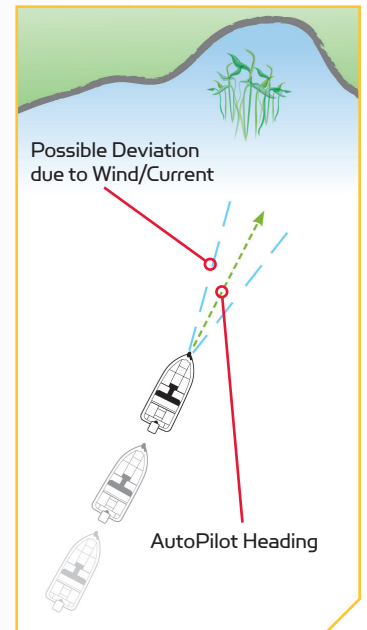
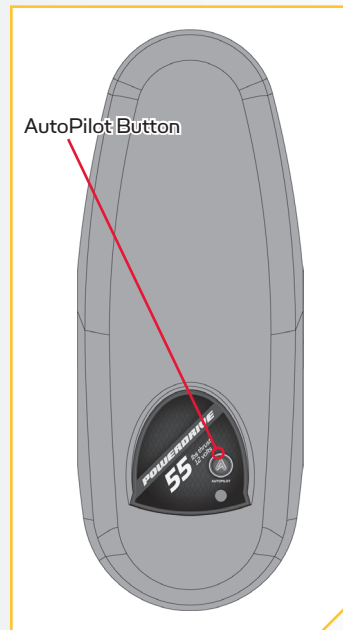
**1**

- a. While the motor is running, AutoPilot can be toggled on by pressing the AutoPilot Button located at the top of the Motor control head.
- b. While AutoPilot is on, drive the boat as desired.

**CAUTION**

When the AutoPilot is on and the trolling motor is pulled out of the water to the stow position, the steering motor will continue to run. Turn off the AutoPilot switch to stop the motor. If the switch is left on, the steering motor will shut off automatically after 10 seconds. The motor should not be stored in this condition for long periods as power is still being applied to all electronics. Always turn the Autopilot switch off and disconnect your motor from the battery when storing your boat.

- c. To toggle AutoPilot off, press the AutoPilot Button again.



**NOTE:** After steering to a new direction, there is a short delay before the direction is locked in to allow the compass to stabilize. When broad speed changes are made, the AutoPilot heading may change slightly. This is normal.

# SERVICE & MAINTENANCE

## PROPELLER REPLACEMENT

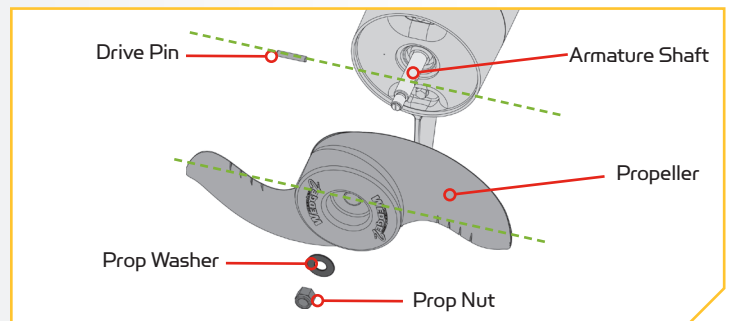
### TOOLS AND RESOURCES REQUIRED

- 1/2" Open End Wrench
- Flat Blade Screwdriver

### INSTALLATION

- 1
  - a. Disconnect the motor from all sources of power prior to changing the propeller.
  - b. Hold the propeller and loosen the Prop Nut with a pliers or a wrench.
  - c. Remove the Prop Nut and Prop Washer.

**NOTE:** If the Drive Pin is sheared or broken, you will need to hold the shaft stationary with a flat blade screwdriver pressed into the slot on the end of the shaft while you loosen the Prop Nut.



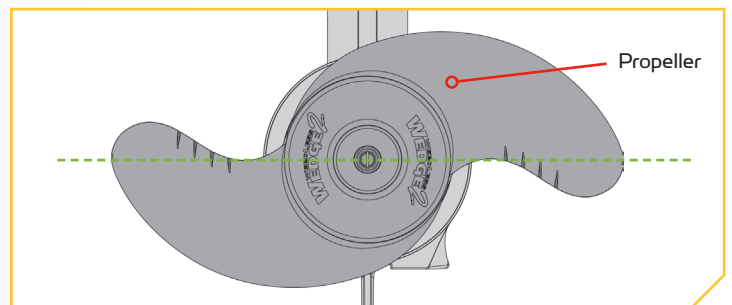
### CAUTION

Disconnect the motor from the battery before beginning any prop work or maintenance.

- 2
  - d. Turn the old prop to horizontal and pull it straight off. If drive pin falls out, push it back in.

### CAUTION

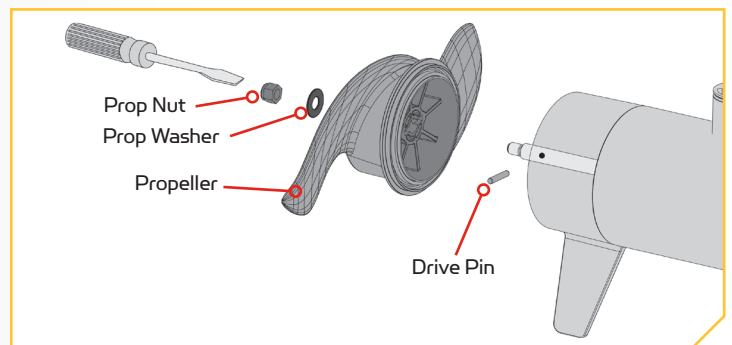
If the prop does not readily slide off, take care to not bend the Armature Shaft while removing the prop by pulling the prop evenly off the Armature Shaft.



- 3
  - e. Align the new Propeller with the Drive Pin.
  - f. Install the Prop Washer and Prop Nut.
  - g. Tighten the Prop Nut 1/4 turn past snug at 25-35 inch-lbs.

### CAUTION

Do not over tighten as this can damage the prop.



---

## GENERAL MAINTENANCE

- After use, the entire motor should be rinsed with freshwater. This series of motors is not equipped for saltwater exposure.
- The composite shaft requires periodic cleaning and lubrication for proper retraction and deployment. A coating of an aqueous based silicone spray will improve operation.
- The propeller must be inspected and cleaned from weeds and fishing line after every use.
- Fishing line and weeds can get behind the prop, damage the seals and allow water to enter the motor.
- Verify the prop nut is secure each time the motor is used.
- To prevent accidental damage during transportation or storage, disconnect the battery whenever the motor is off of the water. For prolonged storage, lightly coat all metal parts with an aqueous based silicone spray.
- For maximum battery life recharge the battery(s) as soon as possible after use. For maximum motor performance restore battery to full charge prior to use.
- Keep battery terminals clean with fine sandpaper or emery cloth.
- The propeller is designed to provide weed free operation with very high efficiency. To maintain this top performance, the leading edge of the blades must be kept smooth. If they are rough or nicked from use, restore to smooth by sanding with fine sandpaper.
- Stow the motor after each use to allow water to drain from the steering housing. Water that sits in the steering housing when the motor is not in use may cause damage.

## TROUBLESHOOTING

1. Motor fails to run or lacks power:
  - Check battery connections for proper polarity.
  - Make sure terminals are clean and corrosion free. Use fine sandpaper or emery cloth to clean terminals.
  - Check battery water level. Add water if needed.
2. Motor loses power after a short running time:
  - Check battery charge. If low, restore to full charge.
3. You experience prop vibration during normal operation:
  - Remove and rotate the prop 180°. See removal instructions in the Propeller Replacement Section.
4. Experiencing interference with your fish finder:
  - You may, in some applications, experience interference in your depth finder display. We recommend that you use a separate deep cycle marine battery for your trolling motor and that you power the depth finder from the starting/cranking battery. If problems still persist, call our service department at 1-800-227-6433.

**NOTE:** For all other malfunctions, visit an Authorized Service Center. You can search for an Authorized Service Center in your area by visiting our Authorized Service page, found on-line at [minnkotamotors.com](http://minnkotamotors.com), or by calling our customer service number at 800-227-6433.

## FOR FURTHER TROUBLESHOOTING AND REPAIR

---

## FOR FURTHER TROUBLESHOOTING AND REPAIR

We offer several options to help you troubleshoot and/or repair your product. Please read through the options listed below.



### **Buy Parts Online**

You can buy parts on-line directly from our website at [minnkotamotors.com](http://minnkotamotors.com). Orders confirmed by 12 noon central time will ship same day if in stock. Orders after 12 noon central time will ship the next business day if in stock.



### **Frequently Asked Questions**

We have FAQs available on our website to help answer all of your Minn Kota questions. Visit [minnkotamotors.com](http://minnkotamotors.com) and click on “Frequently Asked Questions” to find an answer to your question.



### **Call Us (for U.S. and Canada)**

Our consumer service representatives are available Monday – Friday between 7:00 a.m. – 4:30 p.m. CST at 800-227-6433. If you are calling to order parts, please have the 11-character serial number from your product, specific part numbers, and credit card information available. This will help expedite your call and allow us to provide you with the best consumer service possible. You can reference the parts list located in your manual to identify the specific part numbers.



### **Email Us**

You can email our consumer service department with questions regarding your Minn Kota products. To email your question, visit [minnkotamotors.com](http://minnkotamotors.com) and click on “Support”.



### **Authorized Service Centers**

Minn Kota has over 300 authorized service centers in the United States and Canada where you can purchase parts or get your products repaired. Please visit our Authorized Service Center page on our website to locate a service center in your area.



Scan to visit  
Minn Kota  
service online.



# COMPLIANCE STATEMENTS

## ENVIRONMENTAL COMPLIANCE STATEMENT

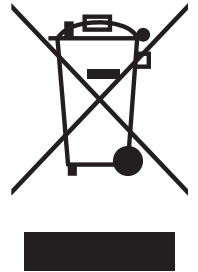
It is the intention of JOME to be a responsible corporate citizen, operating in compliance with known and applicable environmental regulations, and a good neighbor in the communities where we make or sell our products.

### WEEE DIRECTIVE

EU Directive 2002/96/EC “Waste of Electrical and Electronic Equipment Directive (WEEE)” impacts most distributors, sellers, and manufacturers of consumer electronics in the European Union. The WEEE Directive requires the producer of consumer electronics to take responsibility for the management of waste from their products to achieve environmentally responsible disposal during the product life cycle.

WEEE compliance may not be required in your location for electrical & electronic equipment (EEE), nor may it be required for EEE designed and intended as fixed or temporary installation in transportation vehicles such as automobiles, aircraft, and boats. In some European Union member states, these vehicles are considered outside of the scope of the Directive, and EEE for those applications can be considered excluded from the WEEE Directive requirement.

This symbol (WEEE wheelie bin) on product indicates the product must not be disposed of with other household refuse. It must be disposed of and collected for recycling and recovery of waste EEE. Johnson Outdoors Inc. will mark all EEE products in accordance with the WEEE Directive. It is our goal to comply in the collection, treatment, recovery, and environmentally sound disposal of those products; however, these requirements do vary within European Union member states. For more information about where you should dispose of your waste equipment for recycling and recovery and/or your European Union member state requirements, please contact your dealer or distributor from which your product was purchased.



### DISPOSAL

Minn Kota motors are not subject to the disposal regulations EAG-VO (electric devices directive) that implements the WEEE directive. Nevertheless never dispose of your Minn Kota motor in a garbage bin but at the proper place of collection of your local town council.

Never dispose of battery in a garbage bin. Comply with the disposal directions of the manufacturer or his representative and dispose of them at the proper place of collection of your local town council.

## REGULATORY COMPLIANCE INFORMATION

### i-Pilot Equipped Motors

For regulatory information on motors that come factory installed with i-Pilot, please refer to the i-Pilot Owner's Manual online at [minnkotamotors.com](http://minnkotamotors.com).

### Model: CoPilot

This is only applicable to motors factory installed with CoPilot

- Contains IC: 4397A-M05COPLT
- Contains FCC ID: M05COPLT



## FCC COMPLIANCE

---

### FCC COMPLIANCE

This device complies with Part 15 of the FCC rules.

**Operation is subject to the following two conditions:**

1. This device may not cause harmful interference.
2. This device must accept any interference that may be received, including interference that may cause undesired operation.

Changes or modifications not expressly approved by Johnson Outdoors Marine Electronics, Inc. could void the user's authority to operate this equipment.

**NOTE:** This equipment has been tested and found to comply with the limits for a Class B digital device, pursuant to part 15 of the FCC Rules. These limits are designed to provide reasonable protection against harmful interference in a residential installation. This equipment generates, uses and can radiate radio frequency energy and, if not installed and used in accordance with the instructions, may cause harmful interference to radio communications. However, there is no guarantee that interference will not occur in a particular installation. **If this equipment does cause harmful interference to radio or television reception, which can be determined by turning the equipment off and on, the user is encouraged to try to correct the interference by one or more of the following measures:**

- Reorient or relocate the receiving antenna.
- Increase the separation between the equipment and receiver.
- Connect the equipment into an outlet on a circuit different from that to which the receiver is connected.
- Consult the dealer or an experienced radio/TV technician for help.

### INDUSTRY CANADA COMPLIANCE

This product meets the applicable Industry Canada technical specifications. Operation is subject to the following two conditions: (1) this device may not cause interference, and (2) this device must accept any interference, including interference that may cause undesired operation of the device.

Changes or modifications not expressly approved by Johnson Outdoors Marine Electronics, Inc. could void the user's authority to operate this equipment.

### ENVIRONMENTAL RATINGS

Ambient operating temperature range: -10C to 50C

Ambient operating humidity range: 5% to 95%

Maximum operating altitude: 10,000 feet

# PARTS DIAGRAM & PARTS LIST

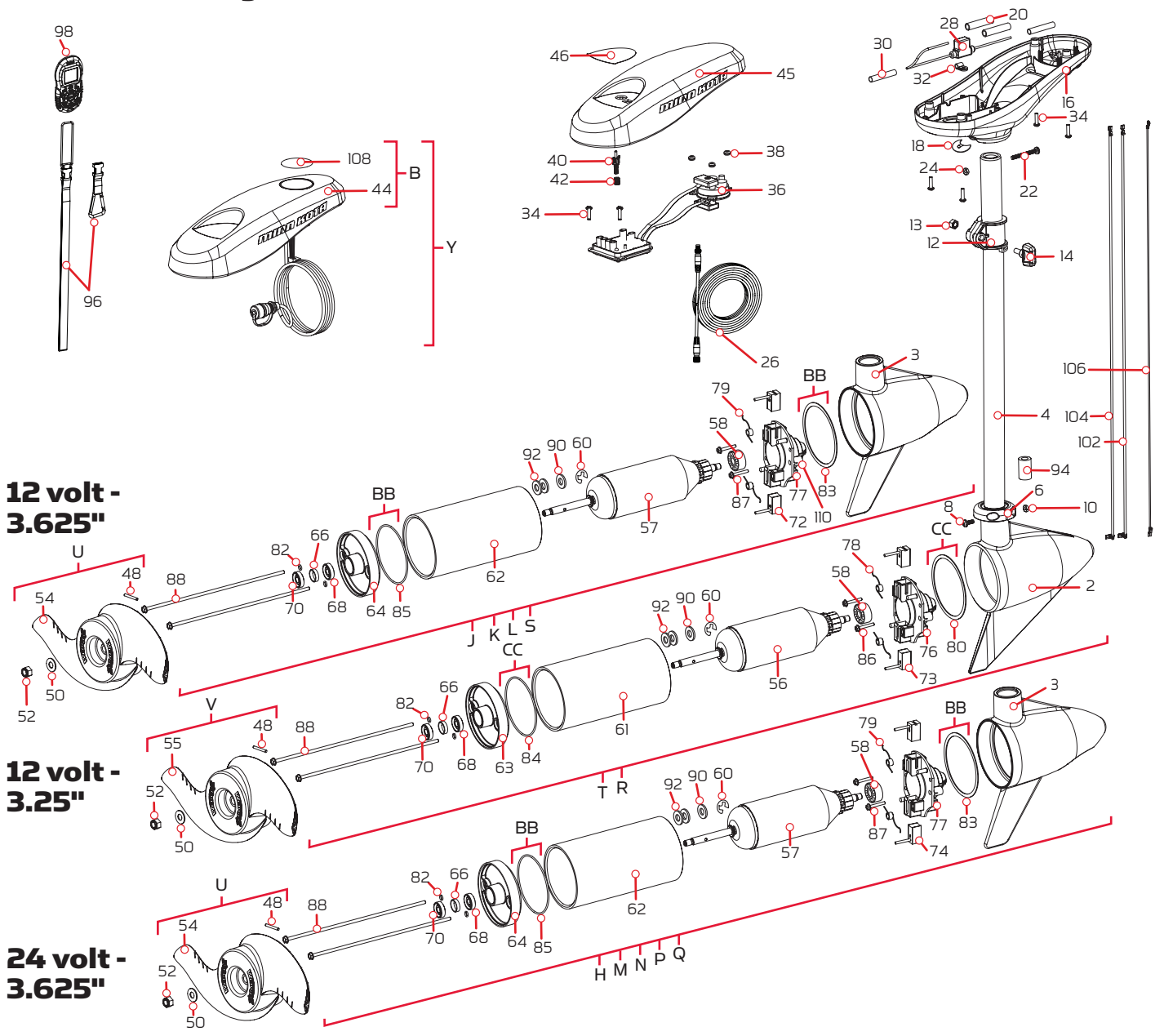
## POWERDRIVE

**45/50/55/70 LBS THRUST - 12/24 VOLT - 48"/54"/60" SHAFT**

The parts diagram and parts list provides Minn Kota® WEEE compliance disassembly instructions. For more information about where you should dispose of your waste equipment for recycling and recovery and/or your European Union member state requirements, please contact your dealer or distributor from which your product was purchased. Tools required, but not limited to: flat head screwdriver, Phillips screwdriver, socket set, pliers, wire cutters.

### POWERDRIVE MOTOR

#### Motor Parts Diagram



## PARTS DIAGRAM & PARTS LIST

### Motor Parts List

Assembly	Part #	Description	Quantity
B	2770202 ◆	COVER KIT, POWERDRIVE *i-PILOT COVER & DECALS ONLY*	1
H	2106046	MTR ASY US2.5 24V 3.62 70# *FRESHWATER* *60"* *UNIVERSAL SONAR*	1
J	2097090	MTR ASY 12V 3.62 VS FW 55# *FRESHWATER* *54"*	1
K	2107098	MTR ASY US2.5 12V 3.62" 55# *FRESHWATER* *54"* *UNIVERSAL SONAR*	1
L	2097074	MTR ASY 12V 3.62 VS FW 55#*FRESHWATER* *48"*	1
M	2096051	MTR ASY 24V 3.62 VS 70# FW *FRESHWATER* *54"*	1
N	2096032	MTR ASY 24V 3.62 VS 70# *FRESHWATER* *60"*	1
P	2106045	MTR ASY US2.5 24V 3.62 70# *FRESHWATER* *54"* *UNIVERSAL SONAR*	1
Q	2096050	MTR ASY 24V 3.62 VS 70# FW *FRESHWATER* *48"* *PONTOON 68*	1
R	2069283	MTR ASY 12V 3.25 VS FW 45 *FRESHWATER* *48"*	1
S	2097034	MTR ASY 12V 3.62 VS 50# *FRESHWATER* *48"* *54"*	1
T	2069233	MTR ASY 12V 3.25 VS FW 40# BB *FRESHWATER* *54"*	1
U	1378131	PROP IND 2091160 (WDL5 WDGII)	1
V	1378121	PROP IND 2061122 (PWR PROP)	1
Y	2774063 ◆	MOTOR KIT, iPLT 1.6 POWERDRIVE *i-PILOT RECEIVER*	1
BB	2888460	SEAL & O-RING KIT *3.625*	1
CC	2883460	SEAL & O-RING KIT *3.25*	1
Item	Part #	Description	Quantity
2	421-132	HSG BRUSH END 3.25	1
3	9421-171	BRUSH END HSG TRANSDUCER 3.625, US2.5 *54"* *UNIVERSAL SONAR*	1
	9421-173	BRUSH END HSG TRANSDUCER 3.625, US2.5 *60"* *UNIVERSAL SONAR*	1
	421-065	HSG BRUSH END 3.625	1
4	2032074	TUBE COMPOSITE 60" PD/AP	1
	2032076	TUBE COMPOSITE 54" PD/AP	1
	2032075	TUBE COMPOSITE 48" PD/AP	1
6	2301555	COLLAR-LATCH, PD/AP	1
8	2303434	SCREW-#8-32 X 5/8 MACH PHCR SS	1
10	2303112	NUT-#8-32 NYLOCK SS	1
12	2031522	COLLAR DRIVE (W/INSERT)	1
13	2323104	HEX NUT 1/4 -20 SS	1
14	2011365	SCREW-COLLAR/NEW KNOB *FRESHWATER*	1
16	2292505	CONTROL BOX (PD/AP) *FRESHWATER*	1
18	2224704	INSERT-PLUG, BLK, I PILOT *LARGE HOLE* *FRESHWATER*	1
	2224702	INSERT-PLUG *NO HOLE* *FRESHWATER*	1
	2224700	INSERT-PLUG US2 *SMALL HOLE* *FRESHWATER*	1

✘ This part is included in an assembly and cannot be ordered individually.

▲ Not shown on Parts Diagram.

◆ May only be available with i-Pilot.

## PARTS DIAGRAM & PARTS LIST

Item	Part #	Description	Quantity
20	2065400	WIRE INSULATOR-LGE 1-3/4,BLUE *FRESHWATER*	2
22	2033400	SCREW-#10-24 X 1-3/4 PPH Z/P *FRESHWATER*	1
24	2013110	NUT-HEX #10-24 UNC-2B (ZCP) *FRESHWATER*	1
26	2211415	CABLE-EXTENSION, PD/AP 110" *US2 ONLY*	1
28	2218200	FUSE HOLDER ASSEMBLY *FRESHWATER*	1
30	2375400	SHRINK TUBE-1/4OD X 1-3/4 *FRESHWATER*	2
32	2052510	CABLE CLAMP, 3/16", NYLON	1
34	2372100	SCREW-#8-18 X 5/8 THD* (SS)	7
36	2994100	CTRL BRD/COMPASS ASY AP *AUTOPILOT*	1
38	2302960	GROMMET-COMPASS *AUTOPILOT*	3
40	2302830	ACTUATOR-SWITCH,ON/OFF A/P *AUTOPILOT*	1
42	2302752	SPRING-ACTUATOR, PD/AP, S/S *AUTOPILOT*	1
44	✘	MOTOR KIT, iPLT 1.6 POWERDRIVE	1
45	2290207	CVR, CTRL BOX, V3 PRINTED	1
46	2315698	DECAL-GENERIC, PUSH BTN TOP FW	1
48	2092600	PIN-DRIVE 1.06" LG (SS)	1
50	2151726	WASHER-5/16 STD (S/S)	1
52	2053101	NUT-PROP,NYLOC (MED) 5/16 SS	1
54	2091160	PROP-WW2 (3.625") REAMED (SUB)	1
55	2061122	PROP-POWER (3.25")	1
56	2-100-202	ARMATURE AS SY 12V 3.25 *FRESHWATER*	1
57	2-100-119	ARMATURE AS SY 24V 3.62 70# *FRESHWATER*	1
	2-100-117	ARM ASY 12V 3.62 55#2.88"	1
58	140-010	BALL BEARING *FRESHWATER*	1
60	788-015	RETAINING RING *3.625* *3.25*	1
61	2-200-079	CTR HSG ASY 3.25 TX-MAGNT	1
62	2-200-005	CTR HSG ASY 3.625 FW-MAGNET *24 VOLT*	1
	2-200-101	CTR HSG ASY 3.625 TX-MAGNETIZED *12 VOLT*	1
63	2-400-128	PLAIN END HSG ASY 3.25	1
64	2-400-101	PLAIN END HSG ASY 3.625	1
66	144-049	BEARING - FLANGE (SERVICE ONLY)	1
68	880-003	SEAL	1
70	880-006	SEAL WITH SHIELD	1
72	188-036	BRUSH ASSEMBLY 3.625	2
73	188-052	BRUSH ASSEMBLY 3.25	2
74	188-037	BRUSH ASSEMBLY 3.625 *70LB THRUST ONLY*	2
76	738-030	BRUSH PLATE 3.25	1

✘ This part is included in an assembly and cannot be ordered individually.

▲ Not shown on Parts Diagram.

◆ May only be available with i-Pilot.



## PARTS DIAGRAM & PARTS LIST

Item	Part #	Description	Quantity
77	738-036	BRUSH PLATE 3.625	1
78	975-032	SPRING - COMPRESSION 3.25	2
79	975-040	SPRING - TORSION 3.625	2
80	701-041	O-RING MEDIUM 3.25	1
82	701-008	THRU BOLT O-RING 3.25	2
	701-007	O-RING 3.25 *45LB THRUST*	2
83	337-036	GASKET	1
84	701-039	O-RING SMALL 3.25	1
85	701-081	O-RING 3.625	1
86	830-001	SCREW-#8-32x1.75 SELF-THRD	2
87	830-007	SCREW, # 8-32	2
88	830-078	THRU BOLT 8-32 X 8.96 *45LB THRUST*	2
	830-008	THRU BOLT 10-32 x 9.205 *70LB THRUST*	2
	830-042	THRU BOLT 10-32 X 8.83 *55LB THRUST*	2
90	990-067	WASHER - STEEL THRUST	1
92	990-070	WASHER - NYLATRON	2
94	2307314	BEAD-FERRITE *70LB THRUST*	1
96	2390800 ♦	LANYARD, REMOTE W/ CARABINER	1
98	2994075 ♦	REMOTE ASSY, IPILOT 1.6	1
102	640-316	LEADWIRE BROWN 18 AWG 71" GPT	1
	640-315	LEADWIRE BROWN 18 AWG 62" GPT	1
104	640-104	LEADWIRE RED 10AWG 48" *45LB THRUST*	1
	640-105	LEADWIRE RED 10AWG 48" 54" *55LB THRUST* *68LB THRUST PONTOON*	1
	640-106	LEADWIRE RED 10AWG 54" 60" *70LB THRUST*	1
	640-107	LEADWIRE RED 10AWG 65-1/2" GPT *55LB THRUST*	1
	640-109	LEADWIRE RED 10AWG 48" 54" *55LB THRUST*	1
106	640-004	LEADWIRE BLK 10AWG 48", 54" *55LB THRUST*	1
	640-007	LEAD WIRE BLK 10AWG 60" *70LB THRUST*	1
	640-005	LEADWIRE BLK 10AWG 48" *PONTOON* *68/70LB THRUST*	1
	640-008	LEADWIRE BLK 10 AWG 54", 60" *70 LB THRUST*	1
	640-010	LEADWIRE BLK 10AWG 48" 54" *55LBS THRUST*	1
	640-003	LEADWIRE BLK 10AWG 48" *45LB THRUST*	1
108	✘	DECAL, DOMED IPILOT FW	1
110	2307314	BEAD-FERRITE	1

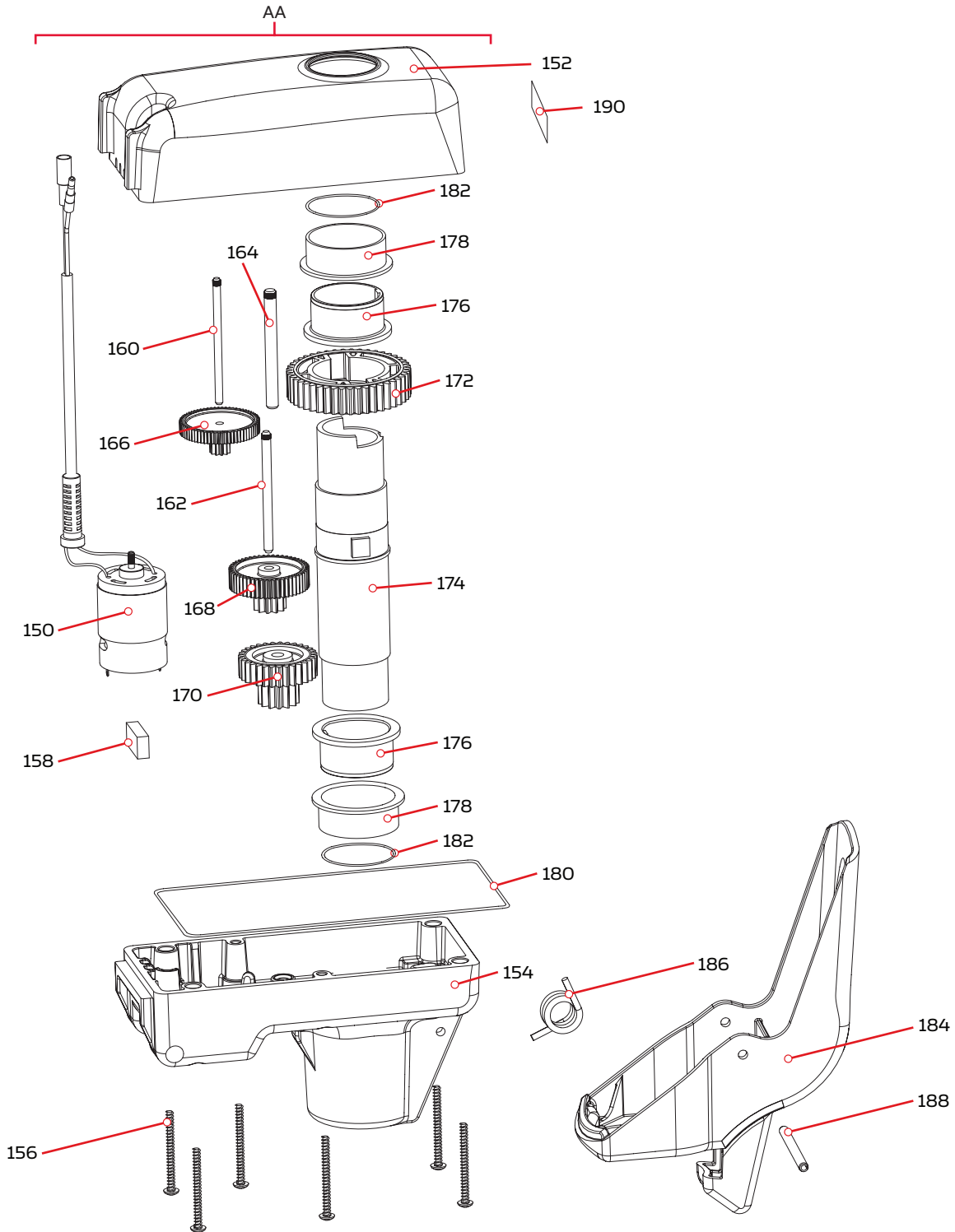
✘ This part is included in an assembly and cannot be ordered individually.

▲ Not shown on Parts Diagram.

♦ May only be available with i-Pilot.

POWERDRIVE STEERING HOUSING

Steering Housing Parts Diagram



## PARTS DIAGRAM & PARTS LIST

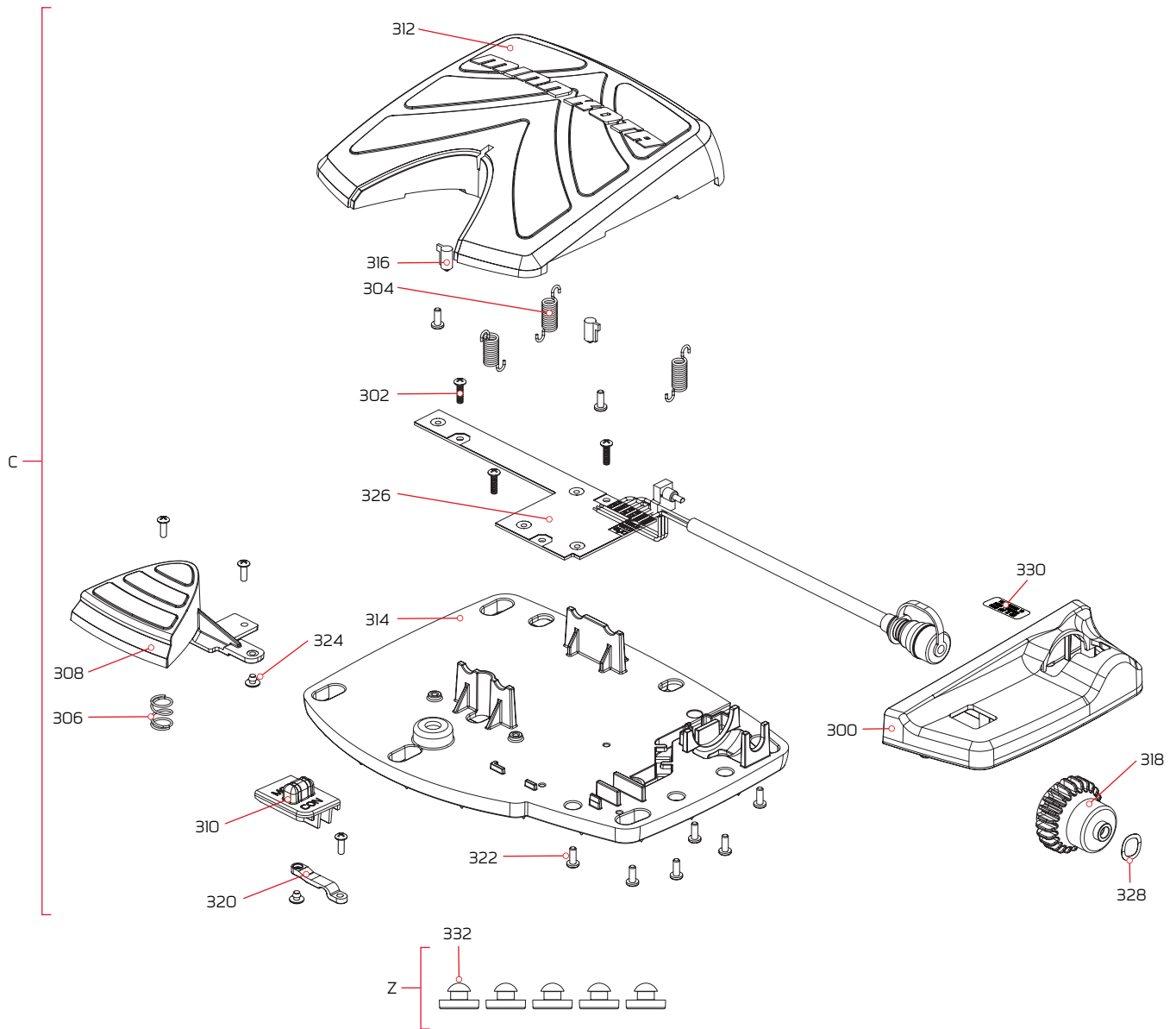
---

### Steering Housing Parts List

Assembly	Part #	Description	Quantity
AA	2771826	DRIVE HOUSING ASSY, PD	1
Item	Part #	Description	Quantity
150	2307050	MOTOR DR.HSG PD/AP 12,24V	1
152	2302541	CASE-UPPER,ALUM,FW,PAINTED	1
154	2302561	CASE-LOWER, ALUM, FW, PAINTED	1
156	2303408	SCREW-#8-32 TYPE F TORX PH SS	6
158	2308601	BREATHER FILTER, DR.HOUSING	1
160	✘	SHAFT-GEAR, FIRST CLUSTER	1
162	✘	SHAFT-GEAR,INTERMED.CLUSTER	1
164	✘	SHAFT-GEAR, THIRD CLUSTER	1
166	2302245	GEAR & PINION,DR. HSG, STAGE 2	1
168	2302250	GEAR & PINION,DR. HSG, STAGE 3	1
170	2302255	GEAR & PINION,DR. HSG, STAGE 4	1
172	2302260	GEAR-OUTPUT SHAFT,STG 5	1
174	2302010	SHAFT-OUTPUT, DR.HOUSING	1
176	2307304	BUSHING-INNER, UPPER/LOWER	2
178	2307305	BUSHING-OUTER, UPPER/LOWER	2
180	2304603	O-RING-SHAFT SEAL UPPER/LOW	2
182	2304604	O-RING-CASE SEAL	1
184	2307201	LEVER,GRIP GLIDE II	1
186	2302750	SPRING-LATCH,TORSION,PD/AP,S/S	1
188	2302627	PIN-ROLL,3/16 X 2.5" ZP	1
190	2305564	DECAL - STOW/DEPLOY	1

POWERDRIVE FOOT PEDAL

Foot Pedal Parts Diagram



## PARTS DIAGRAM & PARTS LIST

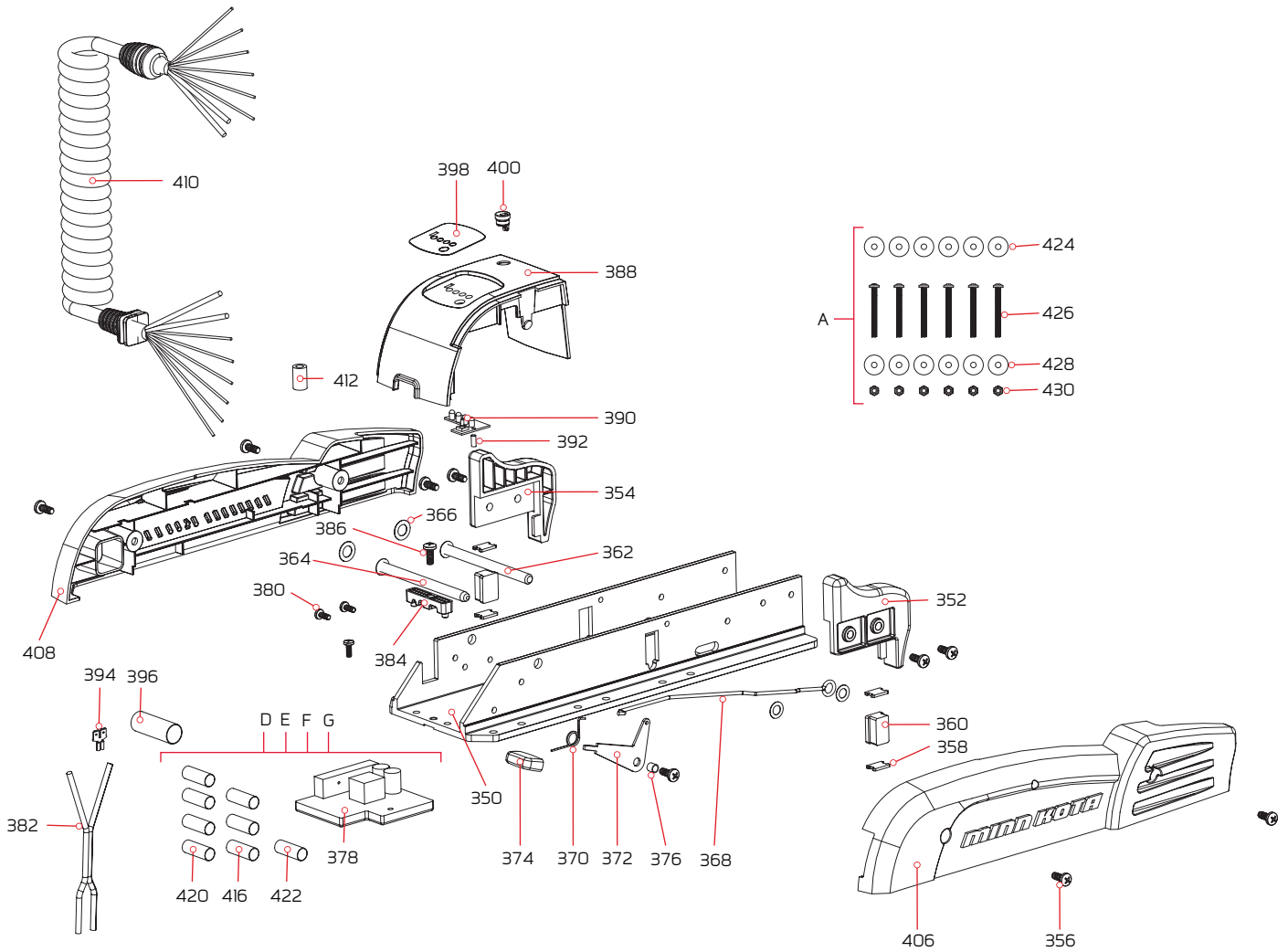
### Foot Pedal Parts List

Assembly	Part #	Description	Quantity
C	2994727	FOOT PEDAL ASSEMBLY, PD	1
Z	2994859	BAG ASY-TERROVA/V2,RUB.BUMPERS	1
Item	Part #	Description	Quantity
300	2300275	COVER-SPEED SELECTOR,PD FP,BLK	1
302	2302100	SCREW-#6-20 X 1/2 THD CUTS	3
304	2302730	SPRING-LONG-UPPER PEDAL	3
306	2302732	SPRING-LOWER PEDAL S/S	1
308	2303725	BUTTON-MOMENTARY, PD FP, BLK	1
310	2303730	BUTTON-MOM/CON, PD FP, BLK	1
312	2304405	PEDAL, STRG ROCKER, PD FP, BLK	1
314	2304508	BASE, PEDAL PD	1
316	2305136	BUMPER,STRG RCKR,PD FP,RUBBER	2
318	2307905	WHEEL-SPEED, PD FP, BLK	1
320	2308609	SWITCH LEVER, SINGLE	1
322	2332103	SCREW-#6-20 X 3/8 THD*(SS)	11
324	2335130	BUMBER ACTUATOR	2
326	2994053	PCB/CTRL CORD, PD FT PEDAL	1
328	2301750	WASHER, WAVE, PD V3 FP	1
330	2316600	DECAL-ON/OFF SWITCH/PD V2 PED	1
332	2325110	PAD, FOOT PEDAL PD	5



POWERDRIVE MOUNT

Mount Parts Diagram



## PARTS DIAGRAM & PARTS LIST

### Mount Parts List

Assembly	Part #	Description	Quantity
A	2994864	BAG ASSEMBLY - (BOLT, NUT, WASHERS)	1
D	2884058	CONTROL BOARD-24V V2 W AP W/SHRNK *AUTOPILOT*	1
E	2884055	CONTROL BRD-12V V2 W/O AP W/SHRNK	1
F	2884057	CONTROL BOARD-12V V2 W/AP W/SHRNK *AUTOPILOT*	1
G	2884056	CONTROL BRD-24V V2 W/O AP W/SHRNK	1
Item	Part #	Description	Quantity
350	2301936	EXTRUSION BASE PD V2 *FRESHWATER*	1
352	2303932	MOTOR REST-RIGHT, 3 5/8"	1
	2303930	MOTOR REST-RIGHT, 3 1/4"	1
354	2303937	MOTOR REST-LEFT, 3 5/8"	1
	2303935	MOTOR REST-LEFT, 3 1/4"	1
356	2303430	SCREW-1/4-20 X 5/8-SELFTAP ZP *FRESHWATER*	9
358	2305110	PAD-PIVOT SUPT ZINC *FRESHWATER*	4
360	2305103	PIVOT PAD,559 FB DUROMETER 90A	2
362	2300500	PIN-LATCH (PD BASE) *FRESHWATER*	1
364	2300510	PIN-PIVOT (PD BASE) *FRESHWATER*	1
366	2013100	NUT-SPEED *FRESHWATER*	4
368	2303612	ROD-RELEASE (RT/AP) S/S	1
370	2322700	SPRING-TORSION	1
372	2303710	LEVER-RELEASE *FRESHWATER*	1
374	2300101	RELEASE-KNOB	1
376	2301700	SPACER-RELEASE LEVER-BRASS	1
378	2304067	CONTROL BOARD-24V V2 W/AP *AUTOPILOT*	1
	2304064	CONTROL BRD-12V V2 W/O AP	1
	2304066	CONTROL BOARD-12V V2 W/AP *AUTOPILOT*	1
	2304065	CONTROL BRD-24V V2 W/O AP	1
380	2303434	SCREW-#8-32 X 5/8 MACH PHCR SS	3
382	2090651	LEADWIRE,10 GA	1
	2266730	LEADWIRE w/PLUG,12/24V,PD,TRKR *TRACKER BOATS EXCLUSIVE*	1
384	2321310	STRAIN RELIEF	1
386	2323405	SCREW-1/4-20 X 1/2" MCH SS	1
388	2306570	HOUSING-CENTER, *FRESHWATER*	1
390	2074071	BATTERY METER, 24V *FRESHWATER*	1
	2074070	BATTERY METER, 12V *FRESHWATER*	1
392	2383428	SCREW-#4-24 X 5/8 HI-LO SS	1
394	2320710	TERMINAL-AMP (T-TAB)	1
396	2325401	SHRINK TUBE-3/4 ID X 2" W/ADHS	1
398	2305503	DECAL-BATTERY METER PD V2 FW *FRESHWATER*	1
400	2302935	STRAIN RELIEF-DR. HOUSING	1

## PARTS DIAGRAM & PARTS LIST

Item	Part #	Description	Quantity
406	2303970	SIDEPLATE-RIGHT PD MK *FRESHWATER*	1
	2303971	SIDEPLATE-RIGHT, PONTOON	1
408	2303975	SIDEPLATE-LEFT PD MK *FRESHWATER*	1
	2303976	SIDEPLATE-LEFT, PONTOON	1
410	2991284	COIL CORD W/STRAIN RLF,PD 60"	1
	2991280	COIL CRD W/STRN RLF, PD 48"/54"	1
	2991283	COIL CORD W/STRN RLF, PD 48"/54"	1
	2991285	COIL CORD W/STRN RLF, AP 48"/54" *AUTOPILOT*	1
	2991287	COIL CORD W/STRN RLF, AP 60" *AUTOPILOT*	1
412	2307313	BEAD-FERRITE	1
416	2305410	SHRINK TUBE-.315 OD X 2.25" *FRESHWATER*	3
420	2305403	SHRINK TUBE-.500 IDX1.0" ADHSV *FRESHWATER*	4
422	2375400	SHRINK TUBE-1/4OD X 1-3/4	1
424	2263462	SCREW-1/4-20 X 2" S/S PPH ADJT	6
426	2261713	WASHER-1/4 FLAT 18-8 SS	6
428	2263103	NUT-1/4-20 NYLOCK SS	6
430	2301720	WASHER-MOUNTING - RUBBER	6

# RECOMMENDED ACCESSORIES

## ON-BOARD & PORTABLE BATTERY CHARGERS

**Stop buying new batteries and start taking care of the ones you've got.** Many chargers can actually damage your battery over time – creating shorter run times and shorter overall life. Digitally controlled Minn Kota chargers are designed to provide the fastest charge that protect and extend battery life.



MK212PC



MK210D



MK110P

## TALON SHALLOW WATER ANCHOR

Talon deploys faster, holds stronger and runs quieter than any other shallow water anchor. Available in depths up to 12' and bold color options including camo, it boasts an arsenal of features and innovations that no other anchor can touch:



- Vertical, Multi-Stage Deployment
- User-Selectable Anchoring Modes
- 2x Anchoring Force
- Fast Deploy
- Auto Up/Down
- Triple Debris Shields
- Built-In Wave Absorption
- Noise Dissipation
- Versatile Adjustments

## MINN KOTA ACCESSORIES

We offer a wide variety of trolling motor accessories, including:



- 60-Amp Circuit Breaker
- Mounting Brackets
- Stabilizer Kits
- Extension Handles
- Battery Connectors
- Battery Boxes
- Quick Connect Plugs

For a complete listing of Minn Kota accessories, visit [minnkotamotors.com](http://minnkotamotors.com)

Follow us:    



[minnkotamotors.com](http://minnkotamotors.com)

Minn Kota Consumer & Technical Service  
Johnson Outdoors Marine Electronics, Inc.  
PO Box 8129  
Mankato, MN 56001

121 Power Drive  
Mankato, MN 56001  
Phone (800) 227-6433  
Fax (800) 527-4464



©2016 Johnson Outdoors Marine Electronics, Inc.  
All rights reserved.



# POWERDRIVE

PROPULSEUR ÉLECTRIQUE MONTÉ SUR L'ÉTRAVE

MANUEL DU PROPRIÉTAIRE



# INTRODUCTION

## MERCI

Nous vous remercions d'avoir choisi Minn Kota. Nous sommes persuadés que vous devriez consacrer plus de temps à pêcher et moins de temps à amarrer votre embarcation. C'est pourquoi nous construisons les propulseurs électriques les plus intelligents, les plus solides et les plus faciles à utiliser. Chaque aspect d'un propulseur électrique Minn Kota est réfléchi et étudié jusqu'à ce qu'il soit digne de porter notre nom. Nous avons investi des heures incalculables de recherche et d'essais pour vous offrir les avantages caractéristiques de Minn Kota, qui vous mène vraiment n'importe où, et n'importe quand. Notre principe est simple, nous faisons les choses selon les règles. Nous sommes Minn Kota. Et nous ne cesserons jamais de vous aider à pêcher plus de poissons.

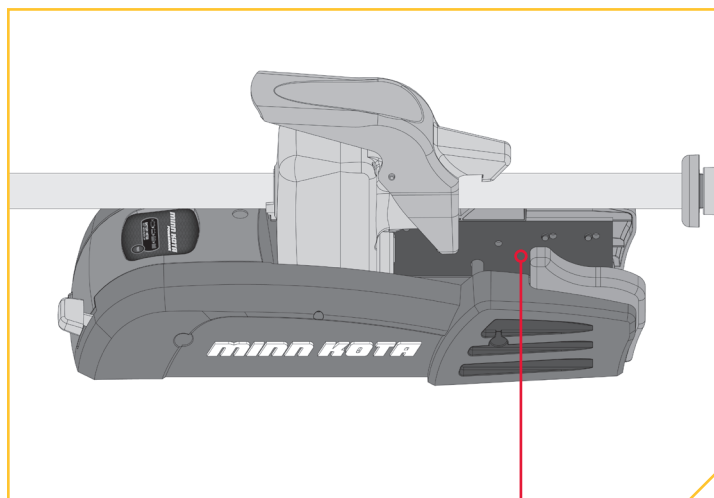
## ENREGISTREMENT

N'oubliez pas de conserver votre reçu et d'enregistrer immédiatement votre propulseur électrique. Une fiche d'enregistrement est fournie avec votre moteur; vous pouvez également effectuer l'enregistrement sur notre site Web à [minnkotamotors.com](http://minnkotamotors.com).

## NUMÉRO DE SÉRIE

Le numéro de série à 11 caractères Minn Kota est très important. Cela permet de déterminer le modèle spécifique et l'année de fabrication. Lorsque vous contactez le Service à la clientèle ou que vous enregistrez votre article, vous aurez besoin du numéro de série de votre article. Nous vous suggérons de noter le numéro de série afin qu'il soit disponible à des fins de référence future.

**REMARQUE:** Le numéro de série de votre PowerDrive se trouve à l'intérieur du support, sous le point d'appui du moteur.



## INFORMATION SUR LE MOTEUR (À DES FINS DE RÉFÉRENCE PAR LE CLIENT SEULEMENT)

Modèle: \_\_\_\_\_

Numéro de Série: \_\_\_\_\_

Date de l'achat: \_\_\_\_\_

Magasin où l'achat a été effectué: \_\_\_\_\_

**REMARQUE:** Ne retournez pas votre moteur Minn Kota au détaillant. Le détaillant n'est pas autorisé à réparer ou à remplacer cet appareil. Pour le service : communiquer avec Minn Kota au (800) 227-6433; retourner le moteur au Centre de service de l'usine de Minn Kota; envoyer ou apporter le moteur à un centre de service agréé de Minn Kota. Une liste de centres de service agréés est disponible sur notre site Web, à [minnkotamotors.com](http://minnkotamotors.com). Pour obtenir un service au titre de la garantie, y compris toutes les options susmentionnées, veuillez inclure la preuve d'achat, le numéro de série et la date de l'achat.

# TABLE DES MATIÈRES

## TABLE DES MATIÈRES

<b>CONSIGNES DE SÉCURITÉ</b> .....	52
<b>GARANTIE</b> .....	53
<b>CONNAISSEZ VOTRE BATEAU</b> .....	54
<b>CARACTÉRISTIQUES</b> .....	55
<b>INSTALLATION</b> .....	56
Installation du PowerDrive.....	57
Acheminement des Câbles de l'Universal Sonar.....	61
Connexion d'une Rallonge d'Universal Sonar .....	63
<b>INSTALLATION DES BATTERIES ET DU CÂBLAGE</b> .....	64
Grément de l'Embarcation et Installation du Produit.....	64
Tableau des Dimensions de Gabarit des Conducteurs et Disjoncteurs .....	64
Sélectionner une Batterie Adéquate.....	65
Autres Points à Considérer .....	65
Comment Raccorder la Batterie .....	66
Connexion des Batteries en Série.....	67
<b>SCHÉMA DE CÂBLAGE DU MOTEUR</b> .....	68
<b>UTILISATION ET RÉGLAGE DU MOTEUR</b> .....	71
Caractéristiques du Support.....	71
Arrimage et Déploiement du Moteur .....	72
Indicateur d'état de Batterie "Appuyer Pour Tester".....	72
Réglage de la Profondeur du Moteur.....	72
Réglage de la Bague de Verrouillage.....	73
Installation d'un Transducteur Externe.....	74
Ajustement de l'Appareil Inférieur Pour un Arrimage Sûr .....	75
<b>UTILISATION DE LA PÉDALE</b> .....	76
Contrôle de la Vitesse et de la Direction Avec la Pédale.....	76
<b>AUTOPILOT</b> .....	78
<b>SERVICE ET ENTRETIEN</b> .....	80
Remplacement de l'Hélice .....	80
Entretien Général .....	81
Dépannage.....	81
<b>DÉCLARATIONS DE CONFORMITÉ</b> .....	83
<b>SCHÉMA DES PIÈCES ET LISTE DES PIÈCES</b> .....	85

# CONSIGNES DE SÉCURITÉ

Veillez lire attentivement le manuel de l'utilisateur. Suivez toutes les instructions, et respectez toutes les consignes de sécurité et mises en garde. L'utilisation de ce moteur n'est autorisée que pour les personnes qui ont lu et compris ces consignes pour l'utilisateur. Les personnes mineures peuvent utiliser ce moteur uniquement sous la supervision d'un adulte.



## AVERTISSEMENT

Vous seul êtes responsable de la navigation sécuritaire et prudente sur votre bateau. Nous avons conçu votre Minn Kota pour qu'il soit un outil précis et fiable qui vous permettra d'améliorer l'utilisation de votre bateau et d'accroître votre capacité de pêcher des poissons. Ce produit ne vous exonère pas de la responsabilité de naviguer en toute sécurité avec votre bateau. Vous devez éviter les dangers liés à la navigation et toujours exercer une veille permanente afin de pouvoir réagir au fur et à mesure que les situations se présentent. Vous devez toujours être prêt à reprendre le contrôle manuel de votre bateau. Apprenez à utiliser votre Minn Kota dans une zone exempte de dangers et d'obstacles.



## AVERTISSEMENT

Ne faites jamais fonctionner le moteur hors de l'eau, puisque cela entraînerait des blessures causées par l'hélice en rotation. Le moteur doit être débranché de la source d'alimentation lorsqu'il n'est pas utilisé ou lorsqu'il est hors de l'eau. Au moment de brancher les câbles d'alimentation du moteur à la batterie, veiller à ce qu'ils ne soient pas entortillés ou exposés au frottement, puis les placer de telle manière que personne ne risque de trébucher. Avant d'utiliser le moteur, s'assurer que l'isolant des câbles d'alimentation n'est pas endommagé. Ne pas tenir compte de ces mesures de sécurité peut entraîner des courts-circuits avec les batteries et/ou le moteur. Toujours débrancher le moteur des batteries avant le nettoyage ou la vérification de l'hélice. Éviter de submerger complètement le moteur, car l'eau pourrait pénétrer dans l'appareil inférieur par la tête de contrôle et l'arbre. Si le moteur est utilisé alors que de l'eau est présente dans l'appareil inférieur, ce dernier pourrait subir des dommages considérables. Ces dommages ne seront pas couverts par la garantie.



## AVERTISSEMENT

Veillez à ce que ni vous, ni les autres personnes ne s'approchent trop près de l'hélice en rotation, que ce soit seulement avec une partie du corps ou des objets. Le moteur est puissant et pourrait provoquer des situations périlleuses ou des blessures, pour vous ou les autres. Lorsque le moteur est en marche, se méfier des objets flottants ou des personnes qui pourraient être en train de nager. Les personnes, dont les réactions ou la capacité à faire fonctionner le moteur est/sont affaiblie (s) par l'alcool, la drogue, les médicaments ou d'autres substances, ne sont pas autorisées à utiliser ce moteur. Ce moteur n'est pas adapté à l'utilisation dans de forts courants. Le niveau de pression sonore constant du moteur au moment de l'utilisation est inférieur à 70 dB (A). Le niveau de vibration général ne dépasse pas 2,5 m/s<sup>2</sup>.



## AVERTISSEMENT

Lorsque vous remontez ou abaissez le moteur, gardez vos doigts loin de toutes charnières et tous points de pivot ainsi que de toutes pièces mobiles. En cas d'opération imprévue, retirez les câbles d'alimentation à la batterie.



## AVERTISSEMENT

Il est recommandé d'utiliser exclusivement les accessoires approuvés par Johnson Outdoors avec votre moteur Minn Kota. L'utilisation d'accessoires non approuvés, y compris pour monter ou contrôler votre moteur, pourrait causer des dommages, un fonctionnement inattendu du moteur et des blessures. Veillez à utiliser le produit ainsi que les accessoires approuvés, y compris les télécommandes, en toute sécurité et de la manière indiquée pour éviter les accidents ou un fonctionnement inattendu du moteur. Ne retirez pas les pièces installées en usine, y compris les couvercles, boîtiers et protections du moteur et des accessoires.

# GARANTIE

## GARANTIE DES PROPULSEURS ÉLECTRIQUES POUR EAU DOUCE

Johnson Outdoors Marine Electronics, Inc. (« JOME ») offre la garantie limitée suivante uniquement à l'acheteur au détail initial. La garantie n'est pas transférable.

### Garantie Limitée de Deux ans de Minn Kota sur L'ensemble du Produit

JOME garantit uniquement à l'acheteur au détail initial que son nouveau propulseur électrique pour eau douce Minn Kota est exempt de défauts résultant d'un vice de fabrication et de main-d'œuvre pouvant survenir au cours des deux (2) ans suivant la date d'achat. JOME se réserve le droit de réparer ou de remplacer, au choix et gratuitement, toute pièce pouvant s'avérer défectueuse pendant la durée de la présente garantie. Cette réparation ou ce remplacement est l'unique et exclusive responsabilité de JOME et constitue le seul recours de l'acheteur pour tout manquement à la présente garantie

### Garantie à vie Limitée de Minn Kota sur L'arbre Composite

JOME garantit uniquement à l'acheteur au détail initial que l'arbre composite de son propulseur électrique Minn Kota est exempt de défauts résultant d'un vice de fabrication et de main-d'œuvre pouvant survenir au cours de la durée de vie de l'acheteur initial. JOME fournira, gratuitement, un arbre composite neuf pour remplacer tout arbre composite pouvant s'avérer défectueux pendant la durée de la présente garantie. Fournir un arbre composite neuf sera la seule et exclusive responsabilité de JOME et le seul et unique recours de l'acheteur pour tout manquement à la présente garantie; **et l'acheteur sera responsable de l'installation ou du coût de la main-d'œuvre pour l'installation de tout arbre composite neuf, fourni par JOME.**

### Exclusions & Limitations

La présente garantie limitée ne s'applique pas aux produits qui ont été utilisés en eau salée, en eau saumâtre ou à des fins commerciales ou locatives. Cette garantie ne couvre pas l'usure normale, les imperfections qui n'affectent pas le fonctionnement du moteur, ni les dommages causés par les accidents, l'abus, l'altération, la modification, les dommages durant le transport, les désastres naturels, la négligence de l'utilisateur, l'utilisation abusive, un soin ou un entretien inadéquat. **LES DOMMAGES CAUSÉS PAR L'UTILISATION DE PIÈCES DE REMPLACEMENT NON CONFORMES AUX SPÉCIFICATIONS DE CONCEPTION DES PIÈCES ORIGINALES NE SONT PAS COUVERTS PAR LA PRÉSENTE GARANTIE LIMITÉE.** Le coût de l'entretien normal ou des pièces de rechange qui ne contreviennent pas à la garantie limitée incombe à l'acheteur. Avant utilisation, l'acheteur doit déterminer si le produit convient à l'emploi prévu et assume tous les risques et responsabilités connexes. Toute assistance fournie par JOME à l'acheteur ou au nom de ce dernier hors du cadre des modalités, des restrictions et des exclusions de la présente garantie limitée ne constitue pas une renonciation à l'égard de telles modalités, restrictions ou exclusions, et une telle assistance n'aura pas pour effet de prolonger ni de restaurer la garantie. JOME ne remboursera aucune dépense encourue par l'acheteur dans le cadre de la réparation, de la correction ou du remplacement de pièces ou de produits défectueux, à l'exception des dépenses engagées sur consentement écrit préalable de JOME. **LA RESPONSABILITÉ GLOBALE DE JOME À L'ÉGARD DES PRODUITS COUVERTS PAR LA GARANTIE EST LIMITÉE À UN MONTANT ÉQUIVALENT AU PRIX D'ACHAT PAYÉ POUR LE PRODUIT EN QUESTION.**

### Information sur le Service Minn Kota

Pour obtenir le service au titre de la garantie aux États-Unis, le produit jugé défectueux et la preuve d'achat originale (comportant la date d'achat), doivent être présentés à un centre de service agréé Minn Kota ou au centre de service de l'usine de Minn Kota à Mankato, au Minnesota. Tous les frais encourus pour des appels de service, de transport ou d'expédition à destination ou à partir du centre de service agréé ou de l'usine Minn Kota, de main-d'œuvre pour transporter, retirer, réinstaller ou regréer les articles retirés pour le service de garantie, ou tout autre élément similaire, sont sous la seule et unique responsabilité unique et exclusive de l'acheteur. Les articles achetés à l'extérieur des États-Unis doivent être retournés, port payé avec la preuve d'achat (y compris la date d'achat et le numéro de série), à tout centre de service agréé Minn Kota dans le pays de l'achat. Le service au titre de la garantie peut être obtenu en communiquant avec le centre de service agréé de Minn Kota ou l'usine au +1 (800) 227-6433 ou par courriel à l'adresse suivante [service@minnkotamotors.com](mailto:service@minnkotamotors.com). **Les produits réparés ou remplacés seront garantis pour la durée restante de la période de garantie initiale [ou pendant 90 jours à compter de la date de réparation ou de remplacement, la période la plus longue étant retenue]. Tout produit retourné aux fins de services en vertu de la garantie qui, selon JOME, n'est pas couvert par la garantie limitée ou n'y contrevient pas sera facturé pour les services rendus au taux horaire de main-d'œuvre affiché en vigueur, pour une facturation minimale d'une heure.**

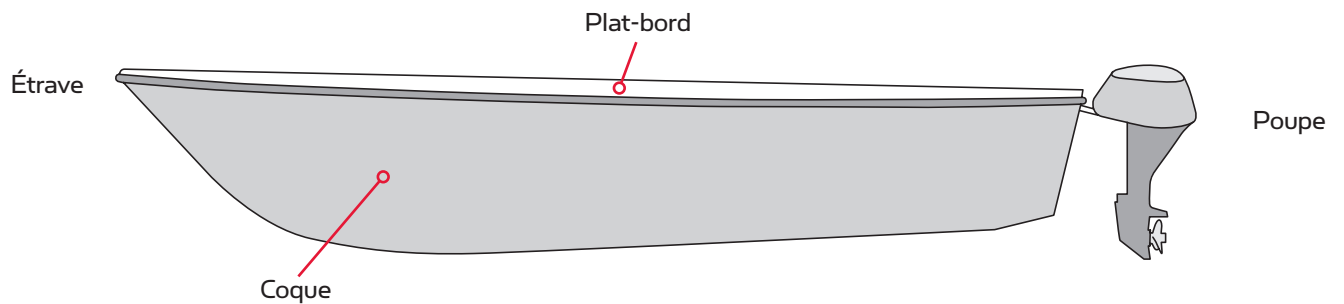
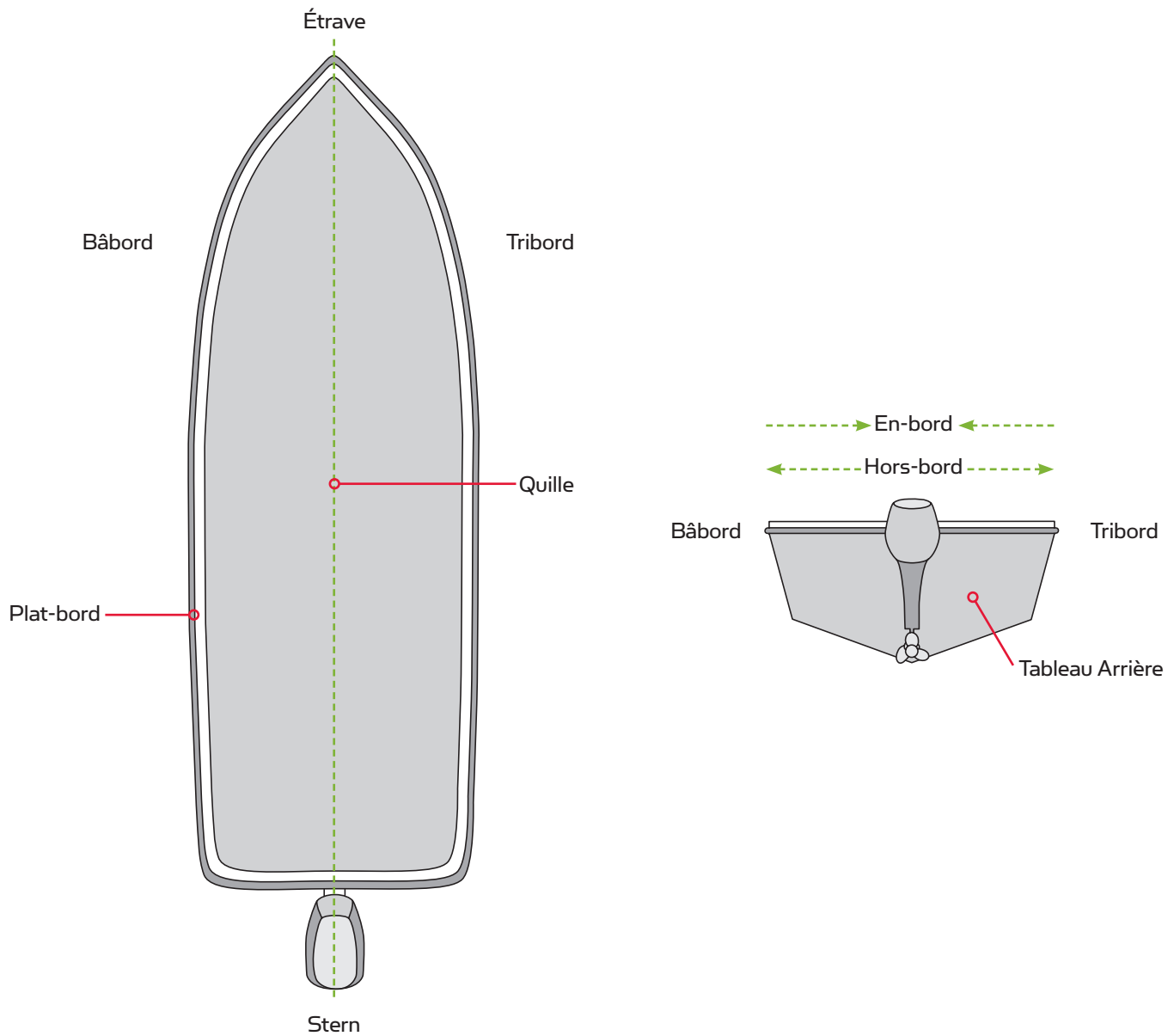
**REMARQUE:** Ne pas retourner l'article Minn Kota au détaillant. Le détaillant n'est pas autorisé à le réparer ou à le remplacer.

**REMARQUE: II N'Y A AUCUNE GARANTIE EXPRESSE AUTRE QUE LES PRÉSENTES GARANTIES LIMITÉES. AUCUNE GARANTIE IMPLICITE, Y COMPRIS QUELQUE GARANTIE IMPLICITE DE QUALITÉ MARCHANDE OU D'ADÉQUATION À UN USAGE PARTICULIER, NE SE PROLONGERA AU-DELÀ DE LA DURÉE DE LA PRÉSENTE GARANTIE LIMITÉE EXPRESSE. JOME NE POURRA EN AUCUNE FAÇON ÊTRE TENUE RESPONSABLE DES DOMMAGES PUNITIFS, INDIRECTS, ACCESSOIRES, CONSÉCUTIFS OU PARTICULIERS. Sans limiter la portée de ce qui précède, JOME décline toute responsabilité en cas de perte d'utilisation du produit, perte de temps, d'inconvénient et d'autre dommage.**

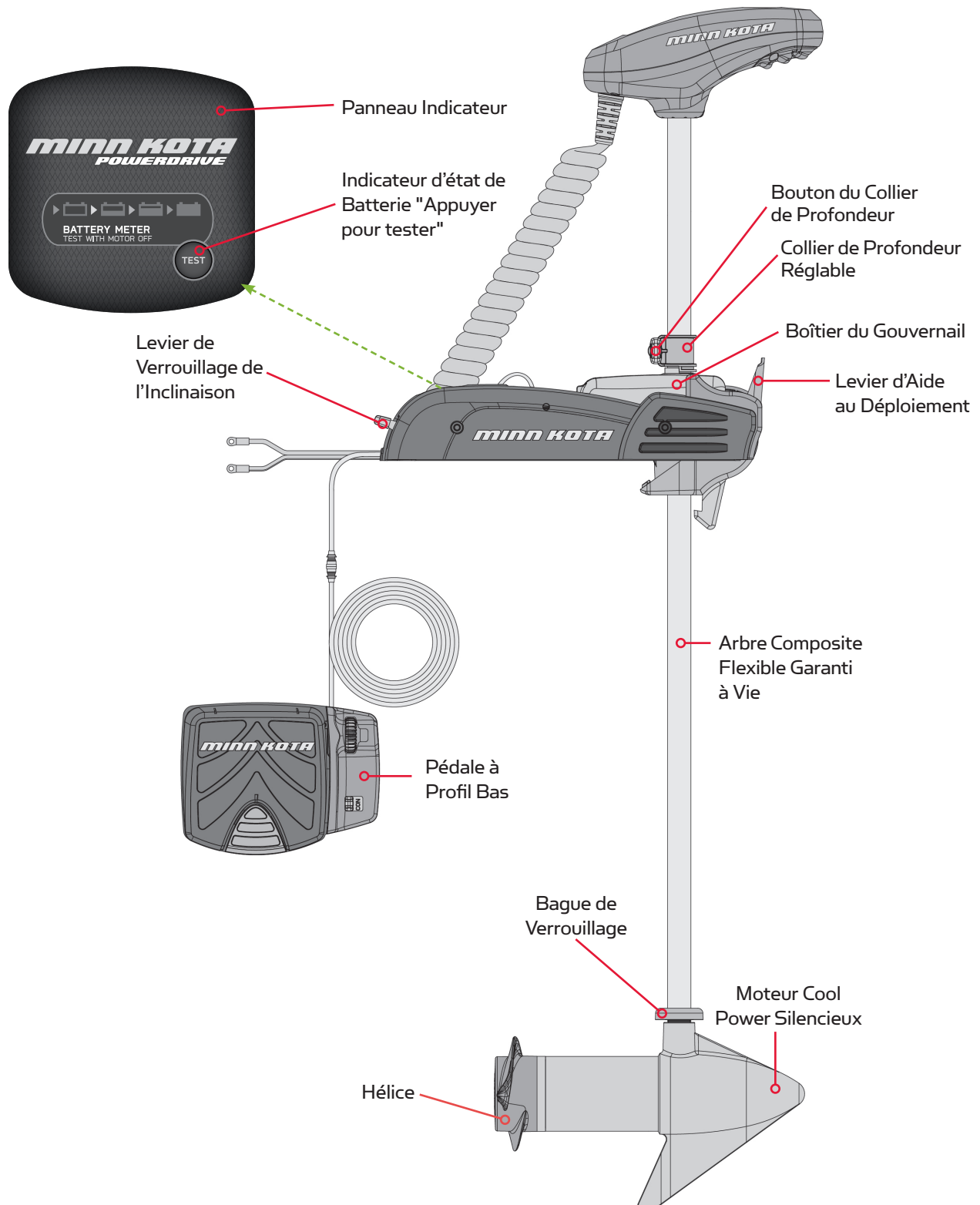
Certains états ne permettent pas de limites sur la durée d'une garantie implicite ou l'exclusion ou limitation des dommages accessoires ou indirects, donc, les limitations ou exclusions ci-dessus peuvent ne pas s'appliquer à vous. La présente garantie vous donne des droits légaux spécifiques et vous pouvez également bénéficier d'autres droits qui varient d'un État à l'autre.



# CONNAISSEZ VOTRE BATEAU



# CARACTÉRISTIQUES



**REMARQUE:** Les spécifications peuvent faire l'objet de modifications sans préavis. Le schéma est fourni aux fins de référence seulement et peut différer de votre moteur actuel.



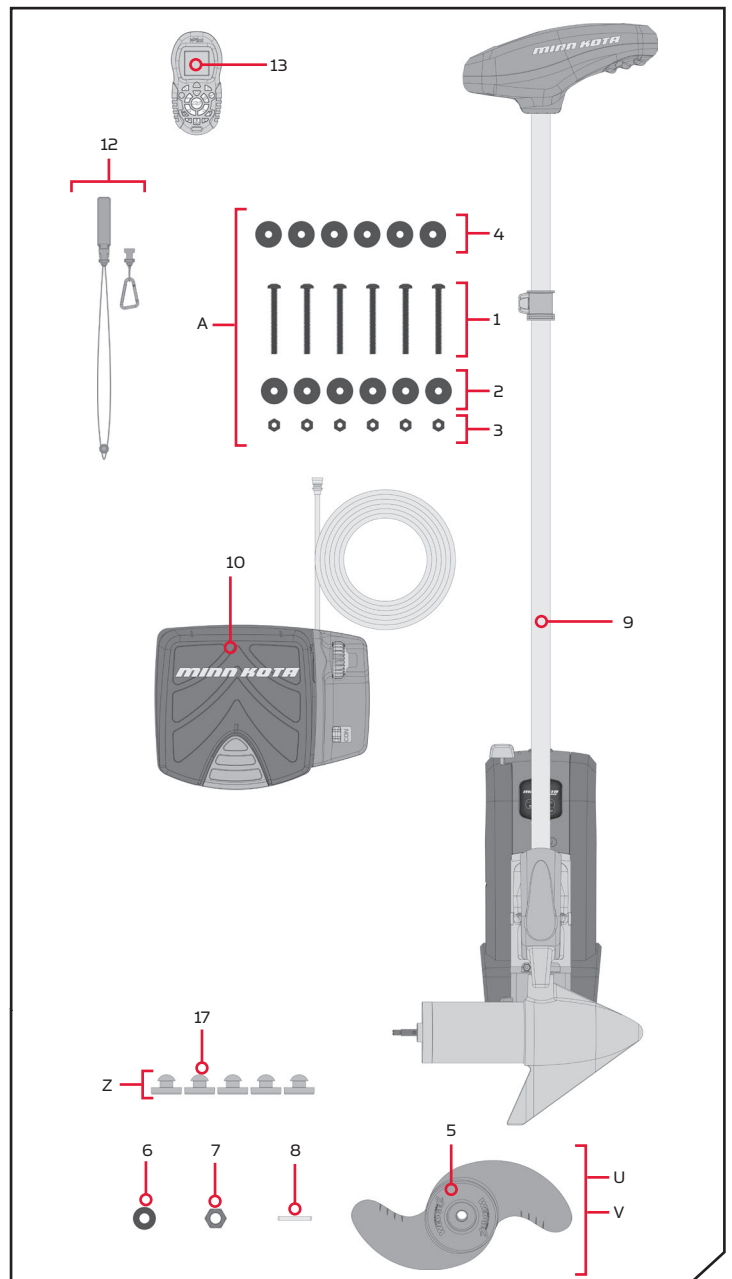
# INSTALLATION

## INSTALLATION DU POWERDRIVE

Votre nouveau PowerDrive est livré avec tout ce dont vous aurez besoin pour l'installer directement sur le bateau. Ce moteur peut être monté directement sur le bateau ou couplé avec un support à dégagement rapide Minn Kota pour un montage et un démontage simples. Pour l'installation avec un support à dégagement rapide, vous reporter aux directives d'installation fournies avec le support. Pour obtenir des supports de montage à dégagement rapide compatibles ou pour trouver votre concessionnaire le plus près, visitez [minnkotamotors.com](http://minnkotamotors.com). Pour installer le moteur directement sur le bateau, veuillez suivre les directives fournies avec ce manuel. Avant de commencer, veuillez examiner la liste des pièces et des outils nécessaires à l'installation. Pour davantage de soutien pour les produits, veuillez visiter [minnkotamotors.com](http://minnkotamotors.com).

### LISTE DE PIÈCES D'INSTALLATION

Article/ Assemblage	N° de Pièce	Description	Qté.
A	2994864	BAG ASSEMBLY - (BOLT, NUT, WASHERS)	1
1	2263462	BOLT-MOUNTING-1/4X2 W/STG	6
2	2261713	WASHER-1/4	6
3	2263103	NUT NYLOK 1/4-20 MTG	6
4	2301720	WASHER-MOUNTING RUBBER	6
U	1378131	PROP IND 2091160 (WDLS WDGII)	1
V	1378121	PROP IND 2061122 (PWR PROP)	1
5	2091160	PROP-WW2 (3 5/8") REAMED SUB)	1
	2061122	PROP-POWER (3.25")	1
6	2151726	WASHER-5/16 SS	1
7	2053101	NUT-PROP NYLOC	1
8	2092600	PIN-DRIVE 1.06" LG SS	1
9	✘	MOTOR ASSEMBLY	1
10	2994727	FOOT PEDAL ASSEMBLY, PD	1
12	2390800 ◆	LANYARD, REMOTE W/ CARABINER	1
13	2994075 ◆	REMOTE ASSEMBLY, IPILOT	1
15	2397101	MANUAL, QUICK REF., iPILOT 1.6	1
16	2317122	MANUAL-INSTALL GUIDE, POWERDRIVE	1
Z	2994859	BAG ASY-TERROVA/V2,RUB.BUMPERS	1
17	2325110	PAD, FOOT PEDAL PD	5



✘ Cette pièce est incluse dans un ensemble et ne peut pas être commandée individuellement.  
◆ Uniquement disponible avec les modèles possédant un système i-Pilot installé en usine.

## FACTEURS DE MONTAGE

Il est recommandé de monter le moteur aussi près que possible de l'axe du bateau. Vérifiez que la zone sous l'emplacement pour percer des trous et installer des rondelles et des écrous est dégagée. Assurez-vous que le support du moteur est positionné assez loin du bord du bateau. Le moteur ne doit rencontrer aucune obstruction lorsqu'il est dans l'eau ou relevé. Envisagez l'installation d'un support à dégagement rapide ou un adaptateur. Pour la liste complète des accessoires, veuillez visiter [minnkotamotors.com](http://minnkotamotors.com).



Découvrez les accessoires disponibles pour votre propulseur électrique sur [minnkotamotors.com](http://minnkotamotors.com).

## OUTILS ET RESSOURCES NÉCESSAIRES

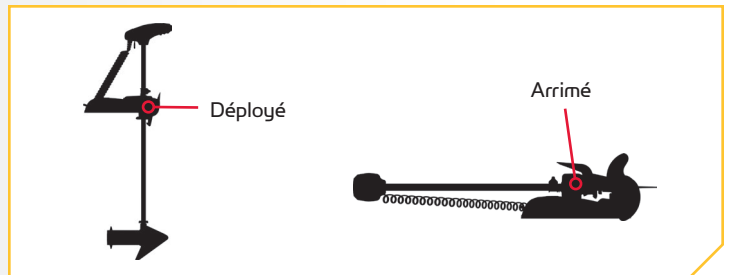
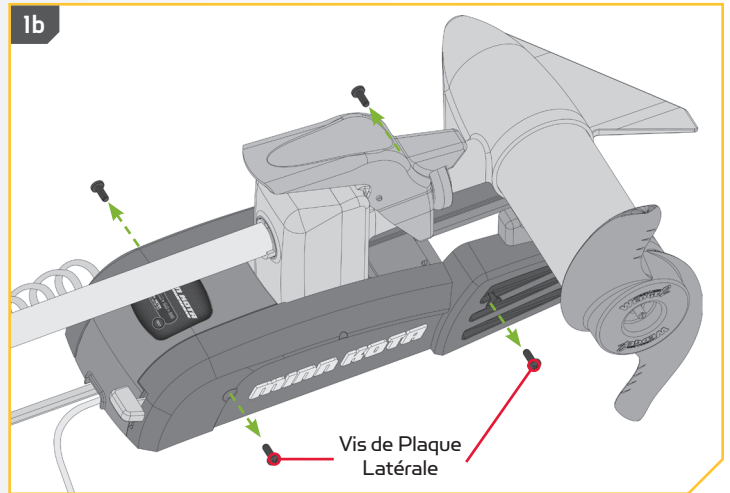
- Tournevis cruciforme n° 3 et n° 2
- DrPerceuse
- Mèche de 9/32 po (7,14 mm)
- Clé polygonale de 11,11 mm (7/16 po)
- Une deuxième personne pour vous aider avec l'installation

## INSTALLATION

### Installation du PowerDrive

- 1
  - a. Placez le support sur une surface élevée, de niveau, comme un établi ou le hayon d'une camionnette. Le moteur, lorsque retiré de la boîte, devrait être en position arrimée.
  - b. Retirez les quatre vis de la plaque latérale en utilisant un tournevis cruciforme n° 3 ou n° 2. Deux de ces vis seront situées de chaque côté du support.

**REMARQUE:** Ce moteur pèse environ 30 lb (14 kg). Pour l'installation, nous recommandons de vous faire aider par une deuxième personne.

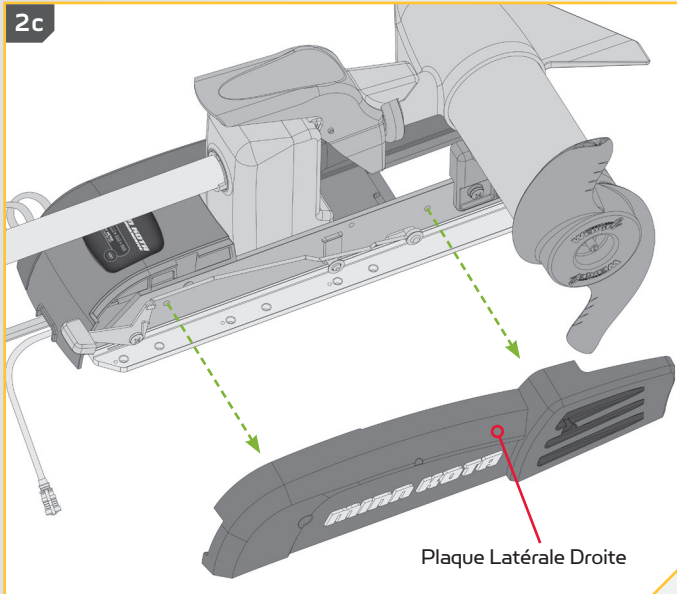


## INSTALLATION DU POWERDRIVE

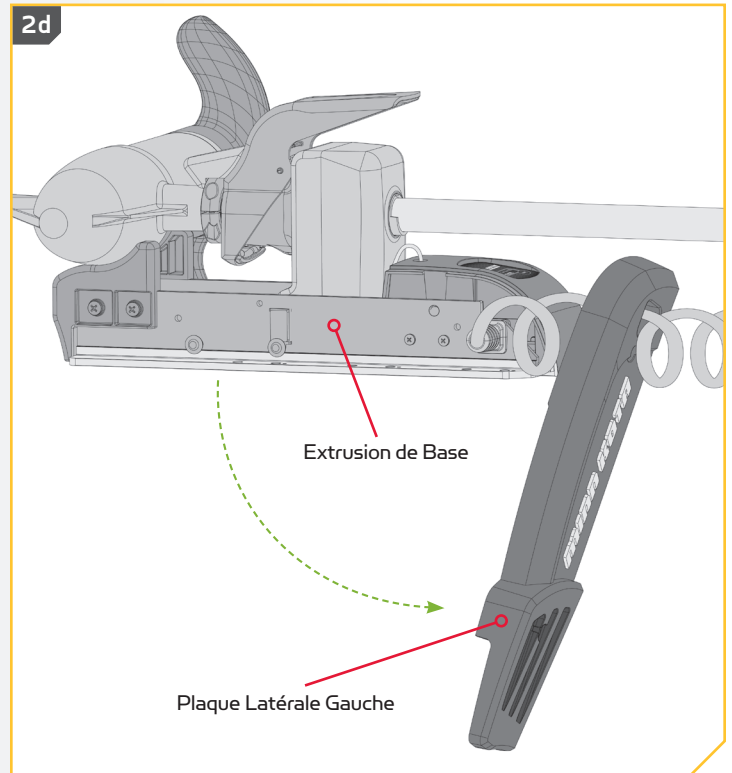
2

- c. Enlevez la plaque latérale droite.
- d. Faites pivoter la plaque latérale gauche en l'éloignant de l'extrusion de base.

2c



2d



3

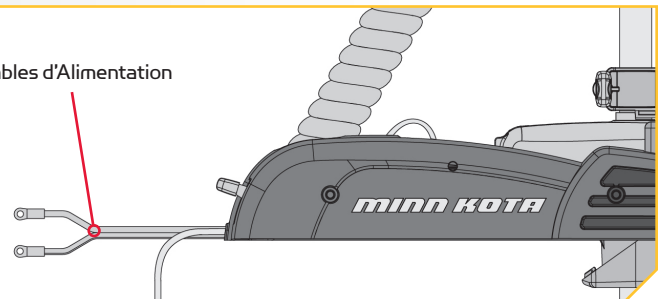
- e. Assurez-vous que les câbles d'alimentation de la batterie sont déconnectés, ou que le disjoncteur, le cas échéant, ouvre le circuit.



### AVERTISSEMENT

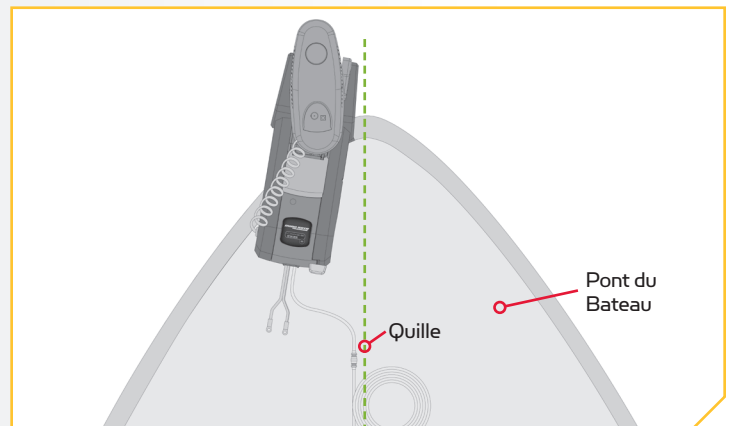
Assurez-vous que le moteur est installé sur une surface plane et n'est pas branché à une source d'alimentation.

Câbles d'Alimentation



4

- f. Placez le support aussi près que possible de la quille ou de l'axe du bateau. Le moteur peut être installé soit sur le côté bâbord ou tribord du bateau, selon la préférence personnelle. Vérifiez l'emplacement avec le moteur dans la position arrimée et déployée. Relisez les facteurs de montage juste avant l'installation.

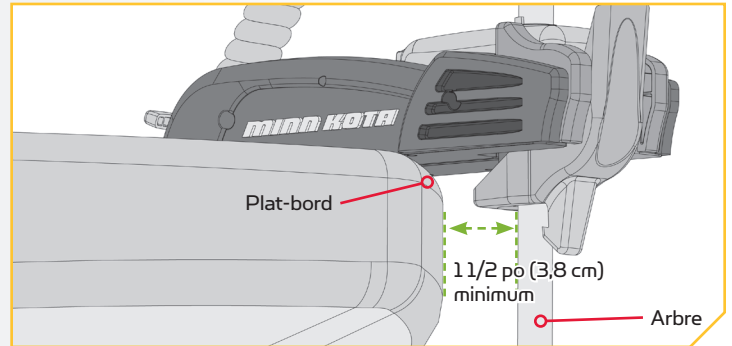


## 5

### ARTICLE(S) REQUIS

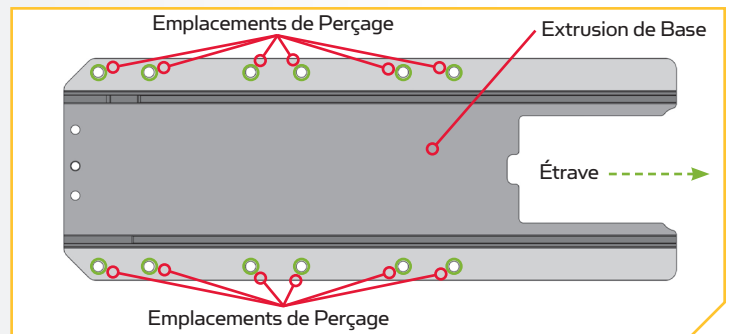
⊙ #4 x 6

- g. Lorsque le moteur est en position déployée, veillez à ce que l'arbre dépasse le plat-bord de 1 1/2 po (3,8 cm). L'appareil inférieur lorsque arrimé et déployé ne doit pas rencontrer d'obstacles.
- h. Assurez-vous que le support est de niveau. Au besoin, utilisez les rondelles de caoutchouc (article n° 4) pour créer une surface au niveau.



## 6

- i. Il est recommandé de marquer au moins 6 des 12 trous dans l'extrusion de base et d'avoir au moins deux boulons de chaque côté qui sont le plus éloignés l'un de l'autre. Une installation idéale serait d'utiliser 6 boulons avec un minimum de 4.
- j. Percez le pont du bateau à l'aide d'une perceuse 9/32 po (7,4 mm) aux endroits marqués.



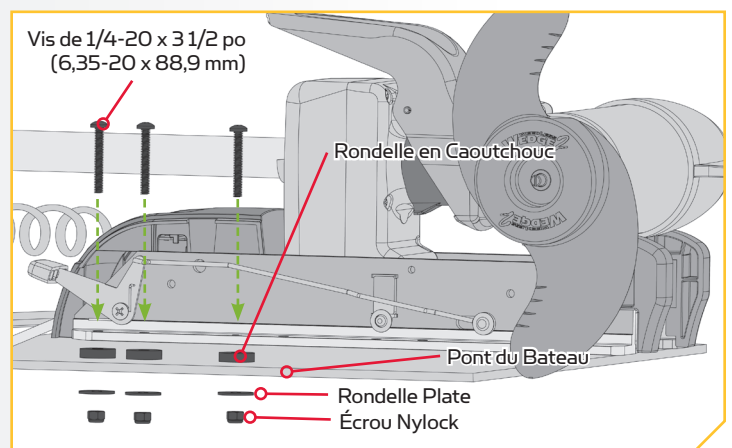
## 7

### ARTICLE(S) REQUIS

⌋ #1 x 6

⊙ #4 x 6

- k. Mettez une vis 1/4-20 x 3 1/2 po (6,35-20 x 88,9 mm) (article n° 1) dans chaque trou percé. La vis doit traverser l'extrusion de base et le pont du bateau. Si les rondelles en caoutchouc (article n° 4) sont utilisées, elles doivent se trouver entre l'extrusion de base et le pont du bateau. Assurez-vous de fixer le moteur avec des vis de chaque côté de l'extrusion de base.



## INSTALLATION DU POWERDRIVE

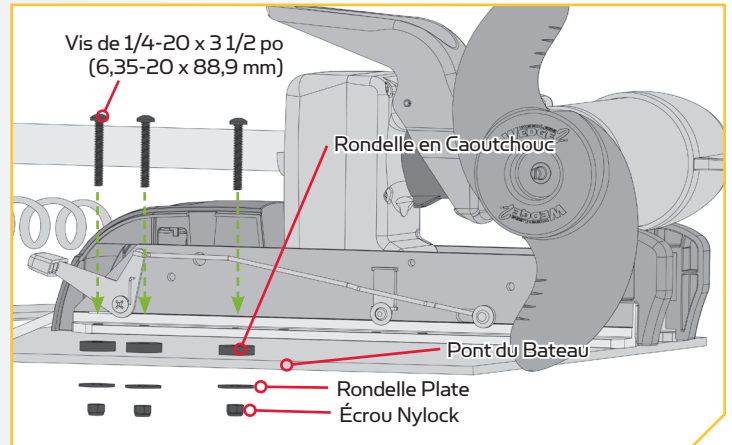
8

### ARTICLE(S) REQUIS

○ #2 x 6      ● #3 x 6

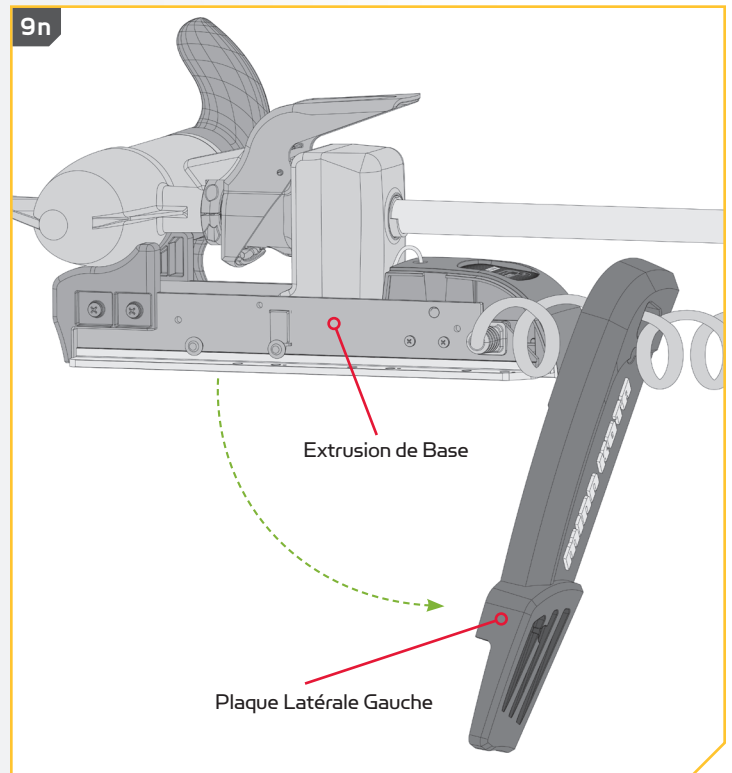
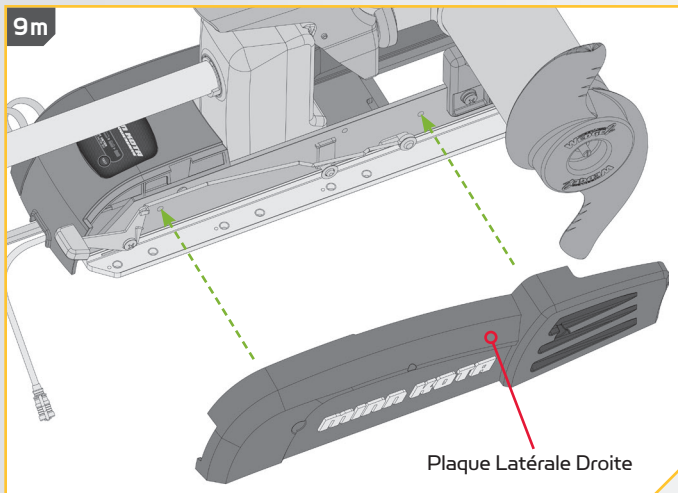
- i. Placez une rondelle plate (article n° 2) puis un écrou Nylock (article n° 3) au bout de chaque vis comme illustré, puis serrez les écrous. Veillez à ce que toute la quincaillerie soit bien fixée.

**REMARQUE:** Pour prévenir le grippage de la quincaillerie en acier inoxydable, n'utilisez pas d'outils haute vitesse pour l'installation. Le fait de mouiller les vis ou d'appliquer un antigrippant peut aider à prévenir qu'elles grippent.



9

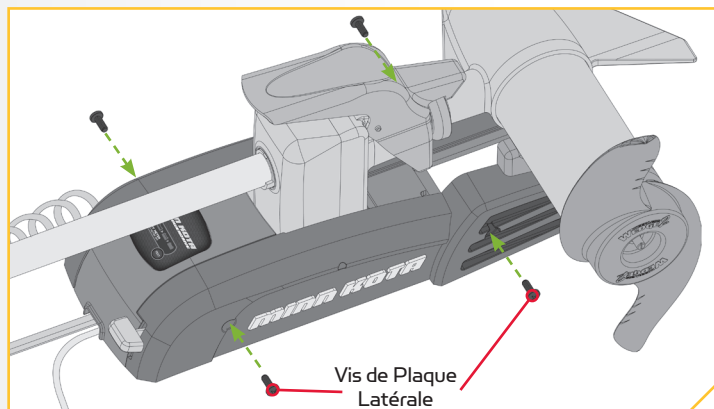
- m. Replacez la plaque latérale droite.
- n. En la faisant pivoter, replacez la plaque latérale gauche dans sa position appropriée sur l'extrusion de base.





### 10

- o. Remplacez les quatre vis de la plaque latérale en utilisant un tournevis cruciforme n° 3 ou n° 2. Deux de ces vis seront situées de chaque côté du support.



### 11

#### ARTICLE(S) REQUIS

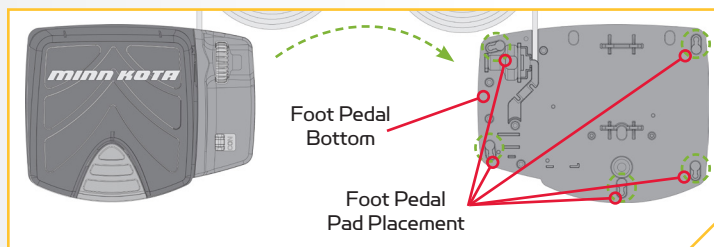
#17 x 5



#10 x 1

- p. Prenez la pédale (article n° 10) et retournez-la. Placez un coussinet de pédale (article n° 17) dans chacun des emplacements de coussinet.

**REMARQUE:** Les coussinets sont recommandés lors de l'utilisation de la pédale sur des surfaces n'étant pas couvertes de tapis.



## Acheminement des Câbles de l'Universal Sonar

Un système de transducteur Universal Sonar peut être préinstallé sur votre propulseur électrique. Le Universal Sonar est un transducteur sonar 2D, doté d'un capteur de température intégré dans le module inférieur du propulseur électrique. Il se caractérise par une fréquence de fonctionnement de 83/200 kHz. La connexion de ce transducteur à un détecteur de poissons compatible\* vous offre une vue sonar 2D de ce qui se passe directement sous votre propulseur électrique. La conception intégrée protège le transducteur des risques subaquatiques et empêche les torsions et les dommages causés aux câbles du transducteur.

Dans certains cas, des bulles d'air peuvent adhérer à la surface du transducteur Universal Sonar et avoir une incidence sur le rendement. Si cela se produit, essayez simplement la surface du transducteur à l'aide de votre doigt.

Tous les moteurs Universal Sonar sont équipés d'un fil de masse interne. Un mauvais raccordement risque de causer des interférences avec d'autres sonars et peut endommager votre propulseur électrique, les composants électroniques ou les autres accessoires de votre bateau. Veuillez vous reporter aux sections sur l'Installation de la batterie et du câblage, câblage du moteur dans le présent manuel pour des directives sur le raccordement.

**REMARQUE:** L'Universal Sonar offre seulement les capacités d'un sonar 2D fonctionnant à 83/200 kHz. Il n'est pas adapté aux écrans à images qui nécessitent des fréquences plus élevées comme 455 kHz ou 800 kHz ((« Down Imaging » (Vue sous le bateau), « Side Imaging » (Vue de chaque côté du bateau), etc.)). Les modules spécifiques au « Down Imaging » (DI) ne sont pas compatibles avec l'Universal Sonar. Voir le tableau des compatibilités sur le site [minnkotamotors.com](http://minnkotamotors.com). \*pour obtenir une liste des détecteurs de poissons compatibles. \*Nécessite un adaptateur, vendu séparément. Pour obtenir une liste à jour des détecteurs de poissons compatibles et pour connaître le câble adaptateur approprié, visitez [minnkotamotors.com](http://minnkotamotors.com).



## ACHEMINEMENT DES CÂBLES DE L'UNIVERSAL SONAR

Un système de transducteur Universal Sonar peut être préinstallé sur votre propulseur électrique. Pour connaître la compatibilité et obtenir de plus amples informations sur l'Universal Sonar, veuillez visiter le site [minnkotamotors.com](http://minnkotamotors.com). Un système i-Pilot pourrait également être préinstallé sur votre propulseur électrique. Pour en savoir plus sur les capacités GPS offertes avec votre système de navigation i-Pilot, veuillez consulter le manuel du propriétaire correspondant en visitant [minnkotamotors.com](http://minnkotamotors.com).

Pour fonctionner, l'Universal Sonar doit être câblé à un dispositif de sortie. Cette connexion se trouve sur le propulseur électrique, dans la tête de contrôle. Le système i-Pilot n'a pas besoin d'une connexion externe câblée. S'il y a une connexion, elle sert à connecter l'Universal Sonar. Veuillez suivre les recommandations de Minn Kota sur l'acheminement des câbles afin d'optimiser et maximiser la fonctionnalité. L'acheminement sera le même, peu importe le nombre de câbles présents. Utiliser les directives suivantes pour correctement acheminer les câbles.

Les câbles de l'Universal Sonar sont blindés de sorte à réduire les interférences. Afin de protéger ce blindage, il est recommandé de ne pas serrer fermement les câbles contre des coins vifs ni des objets durs. Si des attaches de câble sont utilisées, évitez de trop serrer. Tout surplus de câble devrait être enlacé en une boucle lâche d'au moins 4 po (10 cm) de diamètre.

Afin de réduire les interférences causées par le propulseur électrique, assurez-vous que le détecteur de poissons et le propulseur électrique sont actionnés par des batteries indépendantes. Veuillez vous reporter aux sections sur l'Installation de la batterie et du câblage, câblage du moteur dans le présent manuel pour des directives sur le raccordement.

1

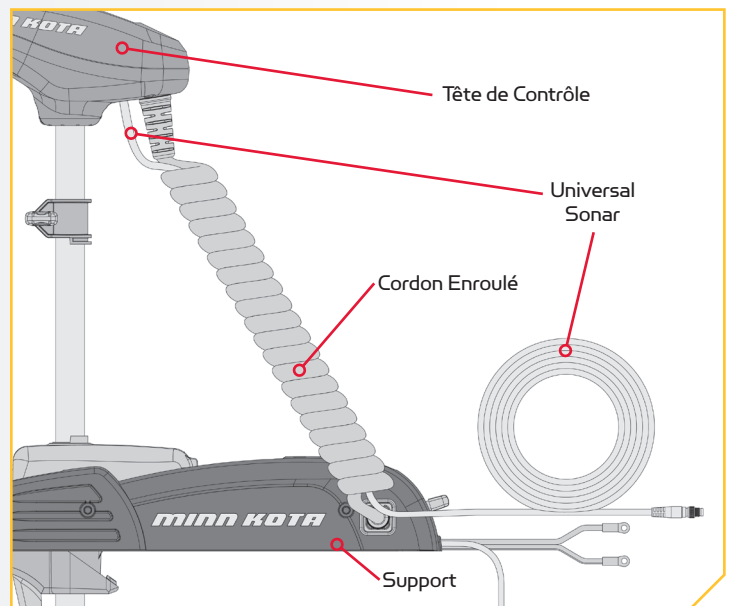
- a. Placez le moteur dans la position déployé.
- b. Localisez l'Universal Sonar à la base de la tête de contrôle.



### MISE EN GARDE

Ne pas suivre l'acheminement de fil recommandé pour les câbles de l'Universal Sonar, si équipé, peut causer des dommages au produit et annuler sa garantie. Acheminez les câbles en évitant les points de pincement et les autres zones qui pourraient faire en sorte que les câbles soient pliés à des angles aigus. Le fait d'acheminer les câbles d'une tout autre façon que celle dictée peut entraîner des dommages aux câbles par un pincement ou sectionnement.

- c. Le câble de l'Universal Sonar doit être passé entièrement au travers du cordon enroulé. Il doit sortir du cordon enroulé au bas de ce dernier, où il se connectera au support.



**REMARQUE:** Après que le câble de l'Universal Sonar ait été sorti du cordon enroulé, il doit être acheminé par un système d'acheminement établi sur le bateau, dans une zone libre d'interférences. Inspectez bien le chemin planifié pour vous assurer qu'il n'y a pas d'arêtes vives, d'obstacles ou d'obstructions qui pourraient endommager les câbles.

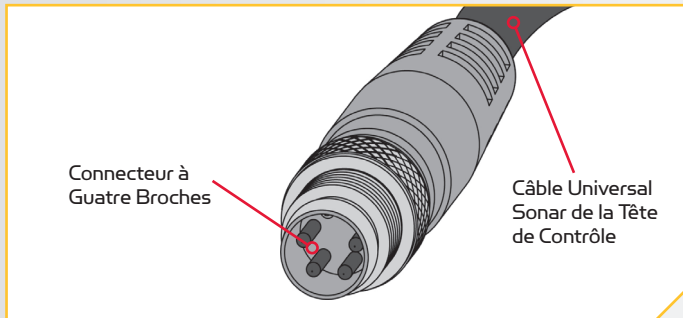
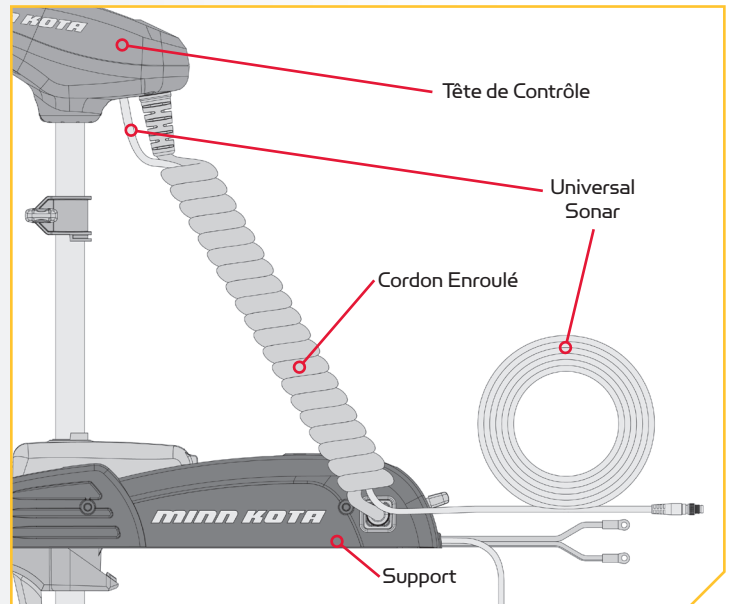
## Connexion d'une Rallonge d'Universal Sonar

Le câble de l'Universal Sonar pourrait ne pas être assez long pour atteindre le détecteur de poissons. Si la longueur du câble n'est pas suffisante pour atteindre l'emplacement désiré du détecteur de poissons, une rallonge d'une longueur de 14,5 pi (4,3 m) est offerte. Minn Kota recommande d'utiliser le MKR-US2-11.

1

- Placez le moteur dans la position déployé.
- Localisez l'Universal Sonar à la base de la tête de contrôle, le cas échéant
- Trouvez le connecteur à quatre broches de l'Universal Sonar à l'extrémité de la rallonge de l'Universal Sonar. Le connecteur est noir et est doté d'une bague de blocage fileté en acier inoxydable.

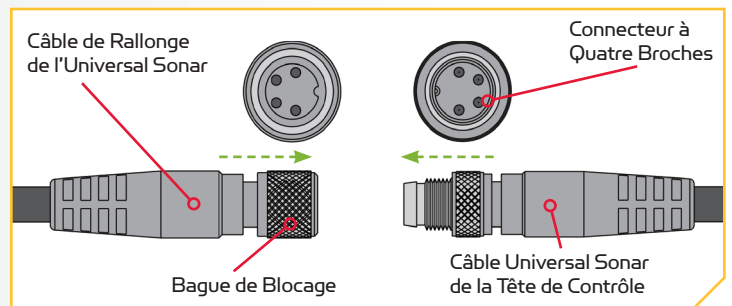
**REMARQUE:** Votre détecteur de poissons doit être éteint jusqu'à ce que cette procédure soit terminée.



**REMARQUE:** Si la longueur du câble n'est pas suffisante pour atteindre l'emplacement désiré du détecteur de poissons, une rallonge d'une longueur de 14,5 pi (4,3 m) est offerte (MKR-US2-11) (vendue séparément).

2

- Alignez les broches de la fiche du connecteur de l'Universal Sonar de la tête de contrôle à la douille correspondante de la rallonge de l'Universal Sonar à votre détecteur de poissons. Poussez fermement la fiche du connecteur dans la douille de la connexion de l'Universal Sonar. Tournez la bague de blocage jusqu'à ce qu'elle soit bien serrée.
- Branchez l'autre extrémité de la fiche de votre adaptateur à votre détecteur de poissons en suivant les instructions du fabricant.



**REMARQUE:** Les connecteurs sont codés pour empêcher une installation en sens inverse.

# INSTALLATION DES BATTERIES ET DU CÂBLAGE

## GRÉEMENT DE L'EMBARCATION ET INSTALLATION DU PRODUIT

Pour des raisons de sécurité et de conformité, nous vous recommandons de suivre les normes du conseil américain sur les embarcations et les yachts (ABYC) pour le gréement de l'embarcation. Les altérations dans le câblage de l'embarcation devraient être complétées par un technicien de marine qualifié. Les spécifications suivantes sont seulement des lignes directrices générales:



### MISE EN GARDE

Ces lignes directrices s'appliquent au gréement général pour soutenir le moteur de Minn Kota. L'alimentation de multiples moteurs ou d'autres appareils électriques, à partir du même circuit d'alimentation, peut influencer sur le gabarit de conducteurs et le dimensionnement des disjoncteurs recommandé. Pour un fil plus long que celui fourni avec l'appareil, suivre le tableau de dimensionnement de gabarit des conducteurs et des disjoncteurs du tableau ci-dessous. Si la longueur totale de la rallonge est de plus de 25 pi (7,60 m), nous vous recommandons de communiquer avec un technicien maritime qualifié.



### MISE EN GARDE

**Un dispositif de protection contre la surintensité (disjoncteur ou fusible) doit être utilisé.** Les préalables de la garde côtière exigent que chaque conducteur de courant, qui n'est pas fixé, soit protégé par un fusible ou un disjoncteur qui se réinitialise manuellement et qui ne peut se déclencher automatiquement. Le dimensionnement du type (courant et tension de puissance nominale) de fusible ou de disjoncteur doit être choisi en fonction du propulseur électrique utilisé. Le tableau ci-dessous donne les lignes directrices recommandées pour ce qui est du dimensionnement des disjoncteurs.

## TABLEAU DES DIMENSIONS DE GABARIT DES CONDUCTEURS ET DISJONCTEURS

Le présent tableau des dimensions de gabarit des conducteurs et disjoncteurs est uniquement valable pour les hypothèses suivantes:

1. Il n'y a pas plus de 3 conducteurs qui sont regroupés à l'intérieur d'une gaine ou d'un conduit à l'extérieur de l'espace moteur.
2. Chaque conducteur est muni d'un isolant d'une température nominale de 105 °C.
3. Aucune chute de tension de plus de 5 % n'est autorisée lorsque le moteur est à plein régime, en fonction des exigences en matière d'alimentation du produit qui ont été publiées.

Modèle/ Poussée du Moteur	Courant Tiré Max	Disjoncteur	Longueur de la Rallonge				
			1.5 mètres	3 mètres	4.5 mètres	6 mètres	7.5 mètres
30 lb.	30	50 Amp @ 12 VDC	6 mm <sup>2</sup>	6 mm <sup>2</sup>	10 mm <sup>2</sup>	16 mm <sup>2</sup>	25 mm <sup>2</sup>
40 lb., 45 lb.	42		6 mm <sup>2</sup>	10 mm <sup>2</sup>	16 mm <sup>2</sup>	25 mm <sup>2</sup>	25 mm <sup>2</sup>
50 lb., 55 lb.	50	60 Amp @ 12 VDC	10 mm <sup>2</sup>	16 mm <sup>2</sup>	25 mm <sup>2</sup>	25 mm <sup>2</sup>	35 mm <sup>2</sup>
70 lb.	42	50 Amp @ 24 VDC	6 mm <sup>2</sup>	6 mm <sup>2</sup>	10 mm <sup>2</sup>	10 mm <sup>2</sup>	16 mm <sup>2</sup>
80 lb.	56	60 Amp @ 24 VDC	10 mm <sup>2</sup>	10 mm <sup>2</sup>	10 mm <sup>2</sup>	16 mm <sup>2</sup>	16 mm <sup>2</sup>
101 lb.	46	50 Amp @ 36 VDC	10 mm <sup>2</sup>	10 mm <sup>2</sup>	10 mm <sup>2</sup>	10 mm <sup>2</sup>	10 mm <sup>2</sup>
Engine Mount 101	50	60 Amp @ 36 VDC	10 mm <sup>2</sup>	16 mm <sup>2</sup>	25 mm <sup>2</sup>	25 mm <sup>2</sup>	35 mm <sup>2</sup>
112 lb.	52	60 Amp @ 36 VDC	10 mm <sup>2</sup>	10 mm <sup>2</sup>	10 mm <sup>2</sup>	10 mm <sup>2</sup>	10 mm <sup>2</sup>
Engine Mount 160	116	(2) x 60 Amp @ 24 VDC	35 mm <sup>2</sup>	35 mm <sup>2</sup>	35 mm <sup>2</sup>	35 mm <sup>2</sup>	35 mm <sup>2</sup>
E-Drive	40	50 Amp @ 48 VDC	6 mm <sup>2</sup>	6 mm <sup>2</sup>	6 mm <sup>2</sup>	6 mm <sup>2</sup>	6 mm <sup>2</sup>

\*La longueur de la rallonge fait référence à la distance séparant les batteries des fils du propulseur électrique.

### Référence

Le code des règlements fédéraux des États-Unis : article 183 du titre 33 du CFR - Embarcations et équipements associés ABYC E-11 : systèmes électriques CA et CC sur les embarcations.

### SÉLECTIONNER UNE BATTERIE ADÉQUATE

Le moteur fonctionnera avec toute batterie marine plomb/acide à décharge profonde de 12 volts. Pour un meilleur résultat, utiliser une batterie marine à décharge profonde avec ampérage nominal d'au moins 105 ampères/heure. Selon une estimation générale effectuée sur l'eau, votre moteur de 12 volts utilisera un ampère par heure et votre moteur de 24 volts, 0,75 ampère par heure, pour chaque coup de poussée produite lorsque le moteur tourne à plein régime. L'ampérage réel utilisé est en fonction des conditions environnementales spécifiques et des exigences de fonctionnement. Maintenir la batterie complètement chargée. Un entretien adéquat fera en sorte que le courant sera disponible le moment venu et améliorer considérablement la durée de vie de la batterie. Le fait de ne pas recharger les batteries au plomb (dans les 12 à 24 heures) est la principale cause de défaillance prématurée de celles-ci. Utiliser un chargeur à taux variable afin d'éviter une surcharge. Nous offrons une vaste sélection de chargeurs en fonction de vos besoins. Si vous utilisez une batterie à manivelle pour démarrer un moteur hors-bord à essence, nous vous recommandons d'utiliser des batteries marines à décharge profonde séparées pour votre propulseur électrique Minn Kota.



#### WARNING

Ne jamais brancher les bornes (+) et (-) de la même batterie ensemble. S'assurer qu'aucun objet métallique ne puisse tomber sur la batterie et provoquer un court-circuit aux bornes. Cela provoquerait immédiatement un court-circuit et un risque extrême d'incendie.



#### MISE EN GARDE

Il est fortement recommandé d'utiliser un disjoncteur ou un fusible avec ce propulseur électrique. Consulter le « Tableau des dimensions de gabarit des conducteurs et disjoncteurs » dans la section précédente pour trouver le disjoncteur ou fusible approprié convenant à votre moteur. Pour les moteurs nécessitant un disjoncteur de 60-A, le disjoncteur Minn Kota MKR-19 60-A est recommandé.



#### MISE EN GARDE

Veuillez lire les renseignements suivants avant de connecter votre moteur à vos batteries afin d'éviter d'endommager votre moteur ou d'annuler votre garantie.

### AUTRES POINTS À CONSIDÉRER

#### Utilisation de Chargeurs à C.C. ou Alternateurs

Votre moteur de pêche à la traîne Minn Kota peut être conçu avec un fil de masse interne pour réduire les interférences avec d'autres sonars. La plupart des systèmes de charge alternateurs ne tiennent pas compte de ce fil de masse et connectent les bornes négatives des batteries du moteur de pêche à la traîne aux bornes négatives de la batterie à manivelle/de démarrage. Ces connexions externes peuvent endommager les composants électroniques connectés ou le système électrique de votre moteur de pêche à la traîne et ainsi annuler votre garantie. Passez attentivement en revue le manuel de votre chargeur ou consultez son fabricant afin de vous assurer que votre chargeur est compatible avant de l'utiliser.

Minn Kota recommande l'utilisation de chargeurs de marque Minn Kota pour recharger les batteries connectées à votre propulseur électrique Minn Kota, étant donné qu'ils ont été conçus de sorte à fonctionner avec les moteurs dotés d'un fil de masse.

#### Accessoires Supplémentaires Connectés aux Batteries du Propulseur Électrique

Votre moteur Minn Kota, les composants électroniques de votre bateau ou votre bateau peuvent subir des dommages importants si de mauvaises connexions ont été effectuées entre les batteries de votre propulseur électrique et un autre système de batterie. Minn Kota recommande d'utiliser un système de batterie exclusif pour votre propulseur électrique. Lorsque possible, les accessoires doivent être branchés sur un système de batterie séparé. Les radios et les sonars ne doivent être connectés à aucune batterie du propulseur électrique étant donné que les interférences provenant du propulseur électrique sont inévitables. Lorsque vous connectez un accessoire supplémentaire à l'une des batteries du propulseur électrique, ou lorsque vous effectuez des connexions entre les batteries du propulseur électrique et d'autres systèmes de batterie sur le bateau, assurez-vous de respecter attentivement les indications ci-dessous.

## COMMENT RACCORDER LA BATTERIE

La connexion négative (-) doit être connectée à la borne négative de la même batterie à laquelle la borne négative du propulseur électrique est connectée. Sur le tableau, cette batterie est appelée batterie « côté inférieur ». La connexion à une autre batterie du propulseur électrique fera entrer une tension positive dans la « mise à la terre » de cet accessoire, pouvant causer une corrosion excessive. Tout dommage causé par de mauvaises connexions entre les systèmes de batterie ne sera pas couvert par la garantie.

### Systèmes de dÉmarrage d'Appoint et Commutateurs

Les systèmes de démarrage d'appoint et les commutateurs relient les bornes négatives des batteries connectées entre elles. La connexion de ces systèmes à la batterie "Côté Supérieur" ou à la batterie "Milieu" risque de causer d'importants dommages à votre propulseur électrique ou aux composants électroniques. La seule batterie du propulseur électrique qui peut être connectée de façon sécuritaire à un de ces systèmes est la batterie "Côté inférieur".

**REMARQUE:** Le fil de masse interne est doté d'un fusible de 3 A. Les mauvaises connexions décrites ci-dessus avec une intensité supérieure à 3 A feront sauter ce fusible et aucun autre dommage ne sera exposé. Si cela se produit, les interférences RF du propulseur électrique affectant les sonars et les autres composants électroniques seront plus significatives. Si le fusible saute, il faut trouver le mauvais raccordement et le résoudre avant de remplacer le fusible. Le fusible de rechange devrait être d'un courant de 3 A ou moins. Un fusible intact ne signifie pas un raccordement adéquat; d'importants dommages peuvent être causés par un câblage incorrect sans pour autant que le courant n'approche 3 A.

## COMMENT RACCORDER LA BATTERIE

### Systèmes de 12 Volts

1. S'assurer que le moteur est coupé (sélecteur de vitesse sur « 0 »).
2. Raccorder le fil rouge positif (+) à la borne positive (+) de la batterie.
3. Raccorder le fil noir négatif (-) à la borne négative (-) de la batterie.
4. Pour des raisons de sécurité, ne pas allumer le moteur jusqu'à ce que l'hélice soit dans l'eau.



## AVERTISSEMENT

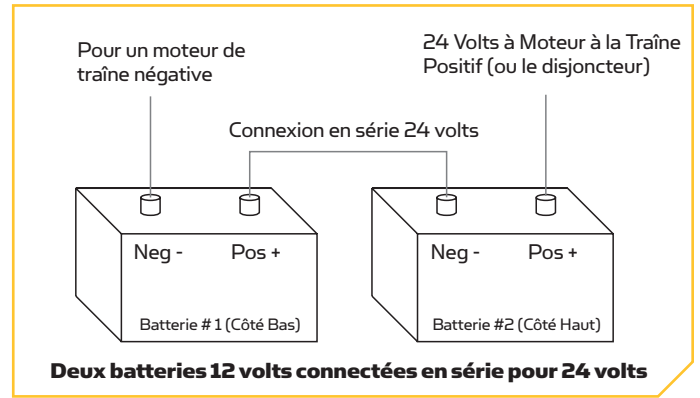
Pour des raisons de sécurité, ne pas allumer le moteur jusqu'à ce que l'hélice soit dans l'eau. Si vous installez un raccordement en fil de plomb, respectez les polarités appropriées et suivez les instructions qui se trouvent dans votre manuel du propriétaire du bateau.

## CONNEXION DES BATTERIES EN SÉRIE (SI REQUIS POUR VOTRE MOTEUR)

### Systèmes de 24 Volts

Deux batteries de 12 volts sont nécessaires. Les batteries doivent être branchées en série, uniquement tel qu'illustré dans le schéma de câblage, afin de fournir 24 volts.

1. Assurez-vous que le moteur est éteint (sélecteur de vitesse sur "0").
2. Branchez un câble de raccordement à la borne positive (+) de la batterie 1 et à la borne négative (-) de la batterie 2.
3. Branchez le fil rouge positif (+) à la borne positive (+) sur la batterie 2.
4. Branchez le fil noir négatif (-) à la borne négative (-) de la batterie 1.



## AVERTISSEMENT

Pour des raisons de sécurité, ne pas allumer le moteur jusqu'à ce que l'hélice soit dans l'eau. Si vous installez un raccordement en fil de plomb, respectez les polarités appropriées et suivez les instructions qui se trouvent dans votre manuel du propriétaire du bateau.



## AVERTISSEMENT

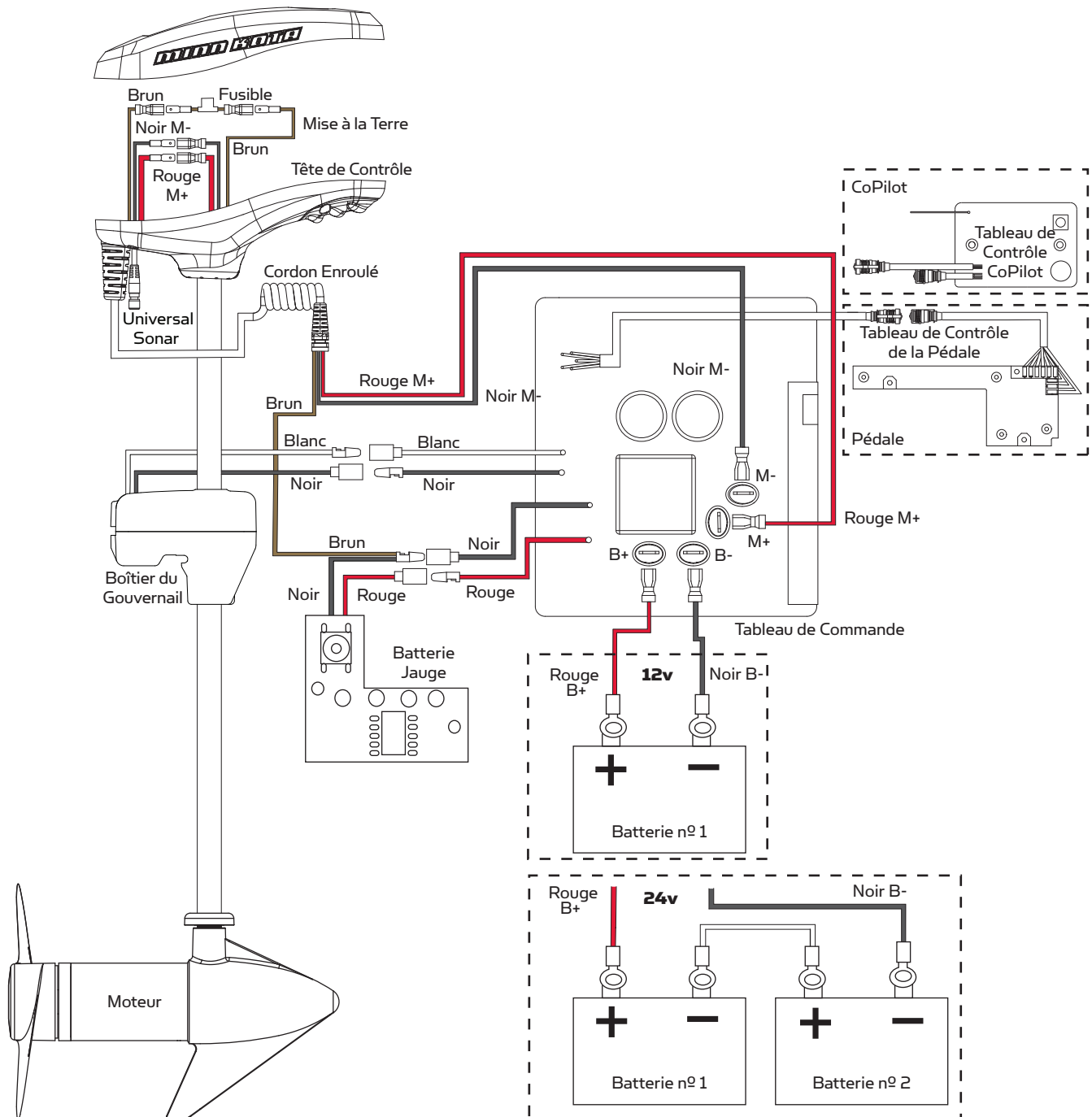
- Une mauvaise installation du câblage des systèmes de 24/36 volts pourrait provoquer une explosion des batteries!
- Gardez les écrous papillons de raccordement solides et bien serrés autour des bornes de la batterie.
- Installez la batterie dans un compartiment ventilé.
- Pour des raisons de sécurité, débrancher le moteur des batteries lorsque le moteur n'est pas utilisé ou pendant la charge.



# SCHÉMA DE CÂBLAGE DU MOTEUR

## POWERDRIVE

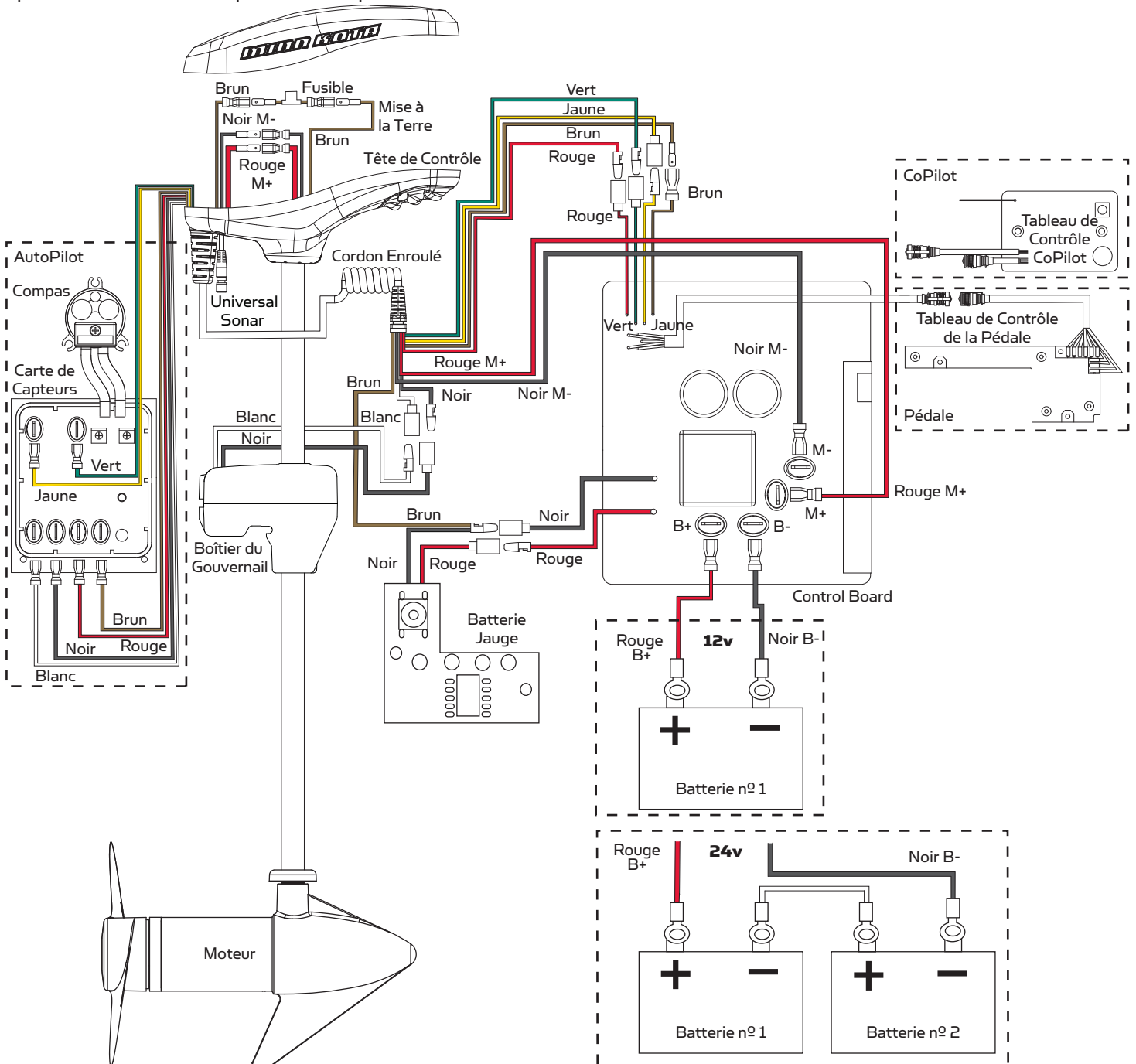
Le schéma de câblage de moteur suivant s'applique à tous les modèles PowerDrive qui ne sont pas livrés avec un système i-Pilot ou AutoPilot installé en usine. CoPilot et Universal Sonar sont des caractéristiques en option qui pourraient être installées en usine. CoPilot peut être installé en tant qu'accessoire après-vente.



**REMARQUE:** Il s'agit d'un schéma multi-tensions. Revérifiez la tension de votre moteur afin d'effectuer les raccordements appropriés. Les dispositifs de protection contre la surintensité ne figurent pas dans cette illustration. Si équipé d'un Universal Sonar, veuillez consulter la fiche d'instructions sur le site Web [minnkotamotors.com](http://minnkotamotors.com).

## POWERDRIVE AVEC AUTOPILOT

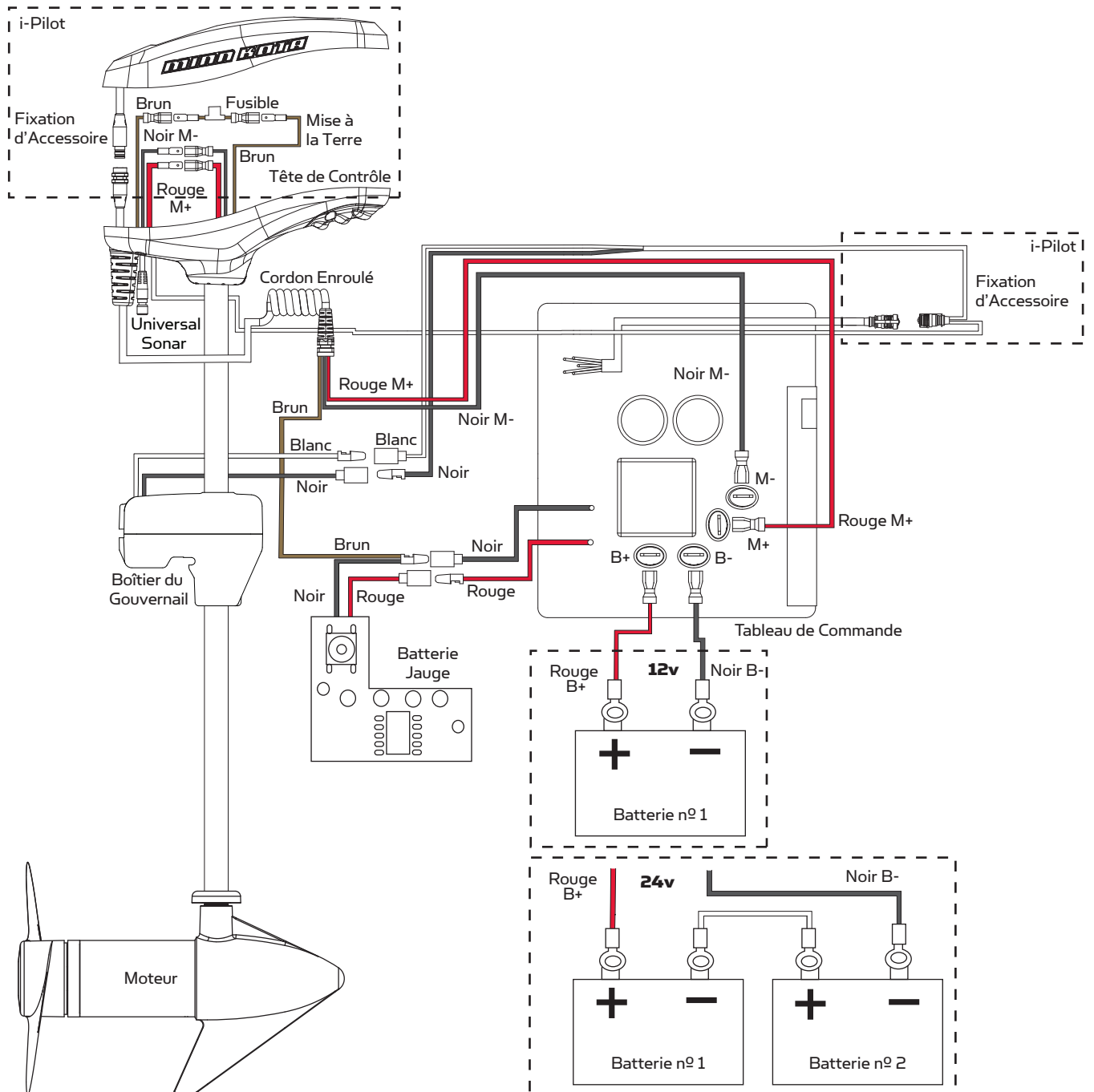
Le schéma de câblage de moteur suivant s'applique à tous les modèles PowerDrive qui sont livrés avec un système AutoPilot installé en usine. CoPilot et Universal Sonar sont des caractéristiques en option qui pourraient être installées en usine. CoPilot peut être installé en tant qu'accessoire après-vente.



**REMARQUE:** Il s'agit d'un schéma multi-tensions. Revérifiez la tension de votre moteur afin d'effectuer les raccordements appropriés. Les dispositifs de protection contre la surintensité ne figurent pas dans cette illustration. Si équipé d'un Universal Sonar, veuillez consulter la fiche d'instructions sur le site Web [minnkotamotors.com](http://minnkotamotors.com).

## POWERDRIVE AVEC SYSTÈME i-PILOT

Le schéma de câblage de moteur suivant s'applique à tous les modèles PowerDrive qui sont livrés avec un système i-Pilot installé en usine. Universal Sonar est une caractéristique en option qui pourrait être installée en usine.

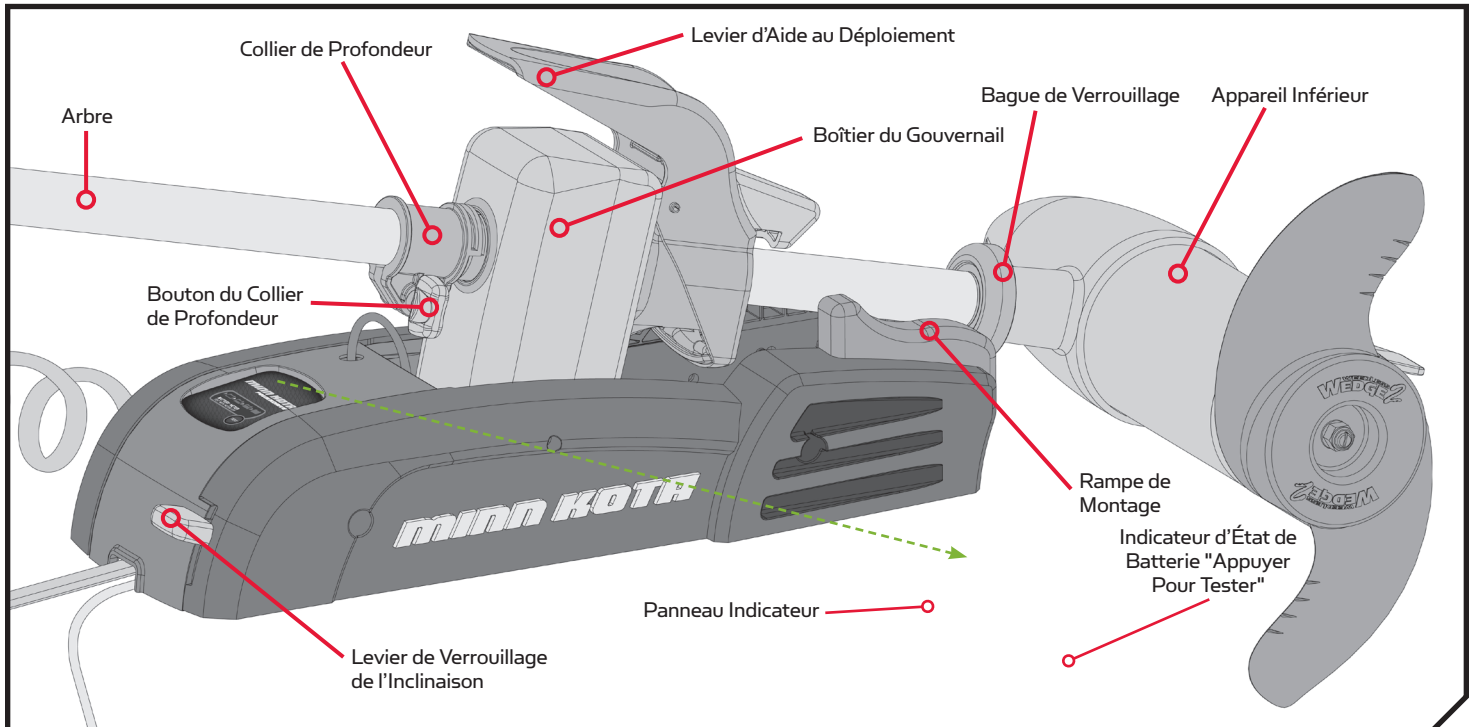


**REMARQUE:** Il s'agit d'un schéma multi-tensions. Revérifiez la tension de votre moteur afin d'effectuer les raccordements appropriés. Les dispositifs de protection contre la surintensité ne figurent pas dans cette illustration. Si équipé d'un Universal Sonar, veuillez consulter la fiche d'instructions sur le site Web [minnkotamotors.com](http://minnkotamotors.com).

# UTILISATION ET RÉGLAGE DU MOTEUR

## CARACTÉRISTIQUES DU SUPPORT

Prenez connaissance des fonctionnalités du moteur afin de maximiser les capacités qu'offre ce produit.



### Collier de Profondeur et Bouton du Collier de Profondeur

Le collier de profondeur est situé sur l'arbre au-dessus du boîtier de direction. Il sert à maintenir le moteur à la bonne profondeur lorsque ce dernier est déployé. Il sert aussi à maintenir l'appareil inférieur en place en position arrimée, lorsqu'il n'est pas utilisé et pendant le transport. Le bouton du collier de profondeur sert à serrer et à desserrer le collier de profondeur afin qu'il puisse être utilisé pour faire glisser l'arbre du moteur vers le haut et le bas.



## AVERTISSEMENT

Lors du transport du moteur, il est important de placer le collier de profondeur complètement contre le boîtier de direction et de le serrer. Cette mesure assure un arrimage sécuritaire et maintient le moteur en place pendant le transport, car le moteur pourrait être soumis à des vibrations et à des chocs importants pendant le transport. Ne pas fixer le moteur pourrait causer une blessure ou des dommages à l'appareil.

### Levier d'Aide au Déploiement

Le levier d'aide au déploiement est situé au haut du support lorsque le moteur est en position d'arrimage. Le levier d'aide au déploiement sert à déverrouiller le moteur lorsqu'il est arrimé et à appuyer sur la bague de verrouillage pour aider à déployer le moteur. Le levier d'aide au déploiement saisit également la bague de verrouillage lorsque le moteur est arrimé, maintenant ce dernier en place afin qu'il puisse être fixé avec le collier de profondeur.

### Bague de Verrouillage

La bague de verrouillage est située sur l'arbre du moteur, juste au-dessus de l'appareil inférieur. Elle sert à aider à fixer le moteur lorsqu'il est arrimé. En position arrimée, la bague de verrouillage est saisie dans le levier d'aide au déploiement.



## AVERTISSEMENT

Lorsque vous arrimez ou déployez le moteur, gardez vos doigts loin de toutes les charnières et pièces mobiles ainsi que de tous les points de pivot.

## ARRIMAGE ET DÉPLOIEMENT DU MOTEUR

### Levier de Verrouillage de l'Inclinaison

Le levier de verrouillage de l'inclinaison est situé à la base du support, en face de l'appareil inférieur. Le levier de verrouillage de l'inclinaison sert à déverrouiller le boîtier de direction de la position arrimée afin que le moteur puisse être incliné, tiré vers le haut et arrimé.

### Rampe de Montage

La rampe de montage sert à maintenir l'appareil inférieur en place lorsque le moteur est arrimé. En position arrimée, l'appareil inférieur sera appuyé sur la rampe de montage, aidant à le maintenir en place.



## AVERTISSEMENT

Lors du transport du moteur, il est important de placer le collier de profondeur complètement contre le boîtier de direction et de le serrer. Cette mesure assure un arrimage sécuritaire et maintient le moteur en place pendant le transport, car le moteur pourrait être soumis à des vibrations et à des chocs importants pendant le transport. Ne pas fixer le moteur pourrait causer une blessure ou des dommages à l'appareil.

## ARRIMAGE ET DÉPLOIEMENT DU MOTEUR

### Pour Déployer le Moteur

Desserrez le collier de profondeur, puis appuyez fermement sur le levier d'aide au déploiement pour relâcher la bague de verrouillage et glissez le moteur vers l'avant, à l'extérieur de la rampe de montage. Abaissez le moteur à la profondeur désirée. Assurez-vous qu'il s'enclenche en position verticale, de façon sécuritaire. Une fois qu'il est à la profondeur désirée, faites glisser le collier de profondeur contre le boîtier de direction et serrez-le.

### Pour Arrimer le Moteur

Desserrez le collier de profondeur, appuyez sur le levier de verrouillage de l'inclinaison et levez le moteur en tirant sur l'arbre en composite ou sur la tête de contrôle. Tirez le moteur vers la poupe jusqu'à ce qu'il soit appuyé solidement sur la rampe de montage et que le levier d'aide au déploiement retienne la bague de verrouillage. Glissez le collier de profondeur vers le bas et fixez-le contre la partie supérieure du boîtier de direction pour fixer le moteur en place et empêcher un déploiement accidentel.



## AVERTISSEMENT

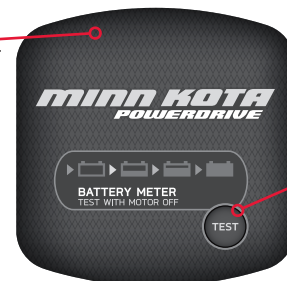
Lorsque vous remontez ou abaissez le moteur, gardez vos doigts loin de toutes charnières et tous points de pivot ainsi que de toutes pièces mobiles. Utilisez de bonnes pratiques ergonomiques lorsque vous arrimez et déployez le moteur afin de prévenir les blessures.

## INDICATEUR D'ÉTAT DE BATTERIE "APPUYER POUR TESTER"

Ce moteur est muni d'un indicateur d'état de batterie "Appuyer Pour Tester". Les voyants DEL se trouvent sur le panneau indicateur situé sur le support du moteur. L'indicateur d'état de batterie fournit un affichage précis de la charge restante dans la batterie. Il est uniquement précis lorsque le moteur est coupé. Voici comment lire l'indicateur :

- Un voyant indique la recharge.
- Deux voyants indiquent une faible charge.
- Trois voyants indiquent une bonne charge.
- Quatre voyants indiquent une pleine charge.

Panneau  
Indicateur



Indicateur d'État de  
Batterie "Appuyer  
Pour Tester"

## AJUSTEMENT DU MOTEUR

### Réglage de la Profondeur du Moteur

Une fois que le bateau est sur l'eau, il peut être nécessaire d'ajuster l'appareil inférieur afin d'obtenir une profondeur qui maximisera la performance du moteur. Au moment du réglage de la profondeur, s'assurer que le haut du moteur est immergé à au moins 12 po (30,5 cm) afin d'éviter de brasser ou d'agiter l'eau à la surface.

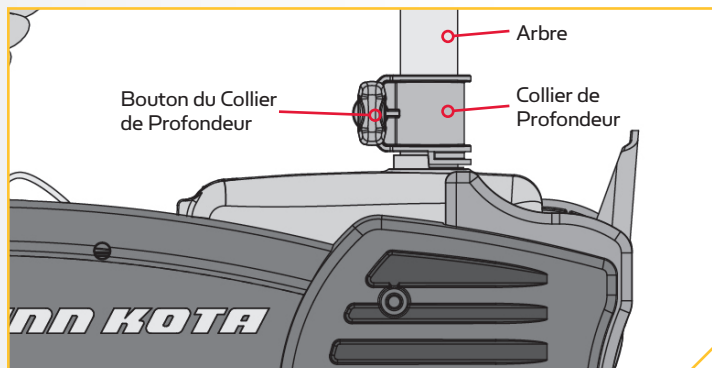
1

- a. Avec le moteur en position déployée, localisez le collier de profondeur sur l'arbre au-dessus du boîtier de direction.
- b. En tenant l'arbre, desserrez le bouton du collier de profondeur jusqu'à ce que l'arbre glisse librement vers le haut et le bas.



### AVERTISSEMENT

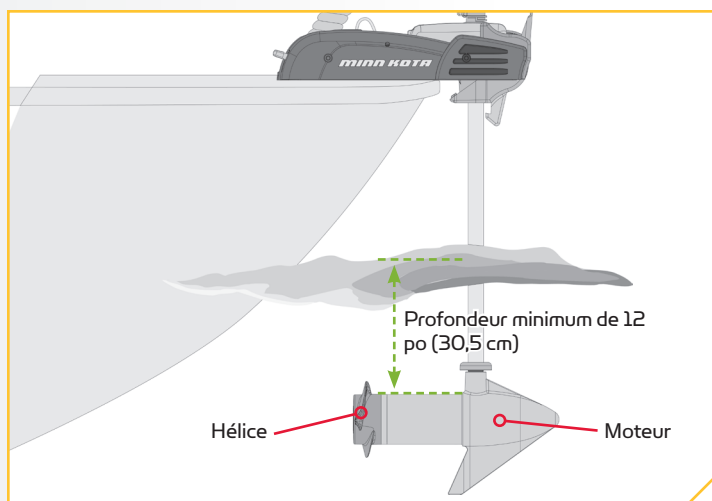
La tête de contrôle formera un point de pincement si le bouton du collier de profondeur est desserré et que la tête de contrôle glisse sur le dessus du collier de profondeur. Saisissez l'arbre et empêchez-le de glisser jusqu'en bas pour prévenir le point de pincement.



2

- c. Remontez ou abaissez le moteur à la profondeur désirée.
- d. Tournez la tête de contrôle du moteur à la position désirée.
- e. Faites glisser le collier de profondeur contre le boîtier de direction et serrez le bouton du collier de profondeur pour fixer le moteur en place.

**REMARQUE:** Au moment du réglage de la profondeur, assurez-vous que le haut du moteur est immergé d'au moins 12 po (30,5 cm) afin d'éviter de brasser ou d'agiter l'eau à la surface.

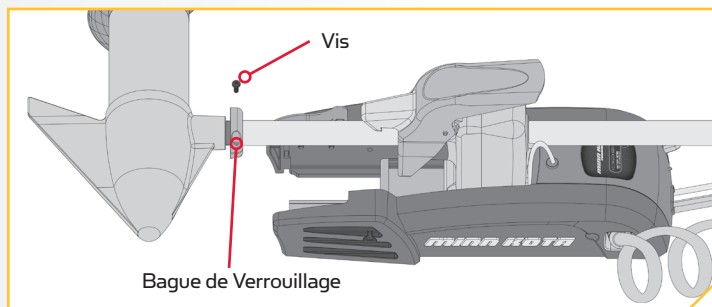


## Réglage de la Bague de Verrouillage

Une fois que le moteur a été utilisé, il pourrait être nécessaire d'ajuster la bague de verrouillage vers le haut ou le bas. Un ajustement idéal est légèrement lâche et saisit entièrement la bague de verrouillage dans le levier d'aide au déploiement lorsqu'en position arrimée.

1

- a. Avec le moteur en position arrimée, localisez la bague de verrouillage.
- b. À l'aide d'un tournevis cruciforme n° 2, desserrez la vis maintenant la bague de verrouillage en place.

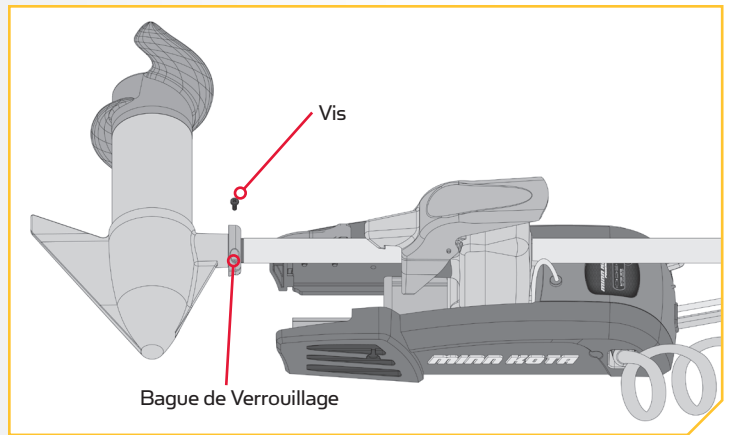




## INSTALLATION D'UN TRANSDUCTEUR EXTERNE

2

- c. Faites tourner la bague de verrouillage afin qu'elle entre aisément dans la prise du levier d'aide au déploiement.
- d. Serrez à nouveau la vis pour fixer la bague de verrouillage en place.

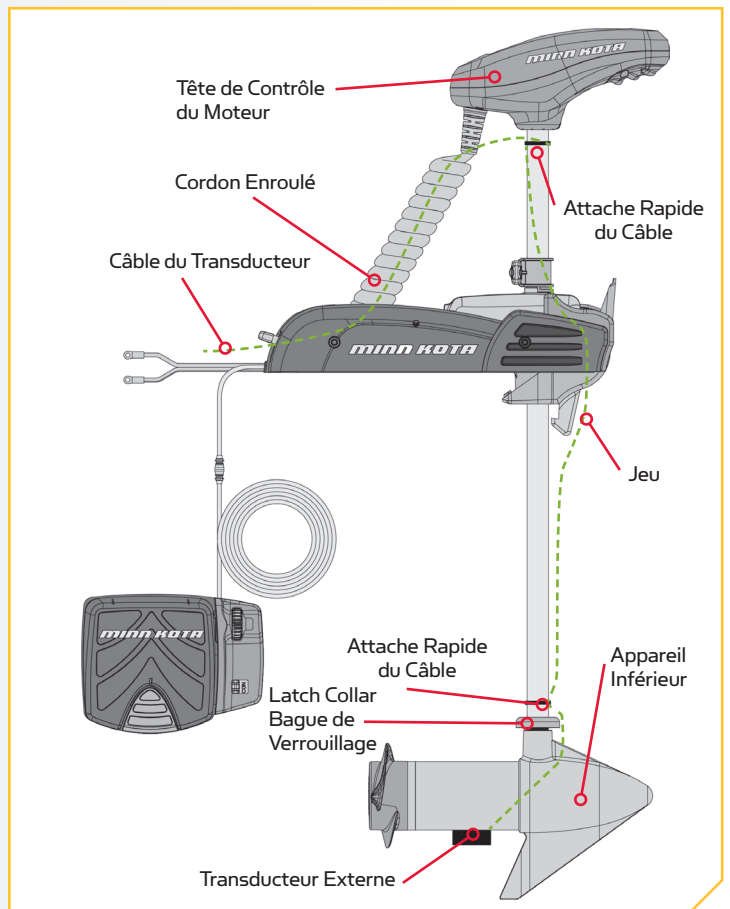


## Installation d'un Transducteur Externe

Un système de transducteur Universal Sonar peut être préinstallé sur votre propulseur électrique. Pour connaître la compatibilité et obtenir de plus amples informations sur l'Universal Sonar, veuillez visiter le site [minnkotamotors.com](http://minnkotamotors.com). Aucun transducteur externe n'est inclus avec votre propulseur électrique. On peut installer un transducteur externe sur le moteur.

1

- a. Installez le transducteur externe conformément aux instructions fournies avec le transducteur.
- b. Laissez suffisamment de jeu dans le câble du transducteur entre l'appareil inférieur et la tête de contrôle du moteur pour que le moteur puisse être bien arrimé et déployé.
- c. Utilisez deux attaches rapides pour fixer le câble du transducteur à l'arbre juste au-dessus de la bague de verrouillage et juste au-dessous de la tête de contrôle du moteur.
- d. Faites passer le câble du transducteur au travers du cordon enroulé jusqu'au détecteur de poissons.



### MISE EN GARDE

Le défaut de suivre l'acheminement de fil recommandé pour les câbles du transducteur externe peut causer des dommages au produit et annuler sa garantie. Assurez-vous de bien tester la longueur et la position du câble pour vérifier qu'il y a suffisamment de jeu là où nécessaire et que les câbles ne s'emmêleront pas dans des pièces mobiles. Le fait d'acheminer les câbles d'une tout autre façon que celle dictée peut entraîner des dommages aux câbles par un pincement ou sectionnement.

### Ajustement de l'Appareil Inférieur pour un Arrimage Sûr

Lorsque le moteur est arrimé, l'appareil inférieur doit reposer sur la rampe de montage, qui fait partie du support du moteur. Il est recommandé de fixer le moteur en suivant ces instructions pour éviter d'endommager le moteur et l'arbre par les vibrations produites lors du transport.

1

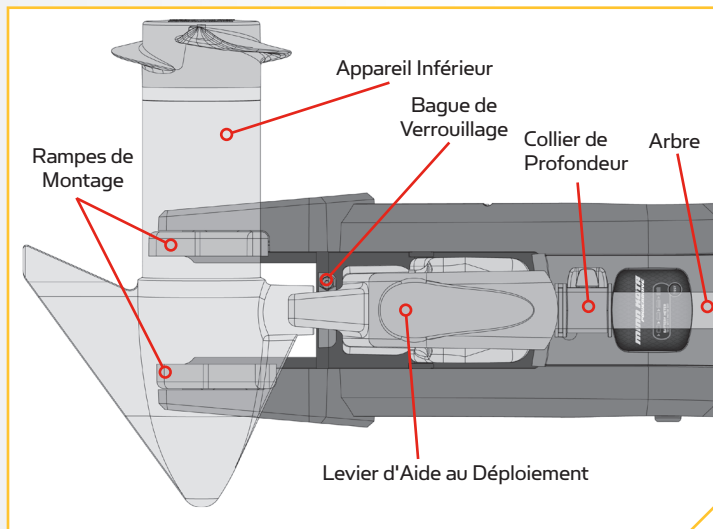
- a. Avant de transporter le bateau sur l'eau ou la terre, arrimez le moteur pour déterminer l'endroit où l'appareil inférieur repose sur la rampe de montage.

**REMARQUE:** Une bonne position de l'appareil inférieur le placera directement sur les rampes de montage.

- b. Si l'appareil inférieur ne repose pas sur les rampes de montage, consultez la section Ajustement de la bague de verrouillage de ce manuel. Ajuster la bague de verrouillage aidera l'appareil inférieur à rester sur les rampes de montage lorsqu'il est saisi par le levier d'aide au déploiement.

#### MISE EN GARDE

L'appareil inférieur doit être posé sur les rampes de montage toutes les fois que le moteur est transporté. Si l'appareil inférieur est mal placé, soit au-dessus ou au-dessous de l'aire d'appui du moteur, l'appareil inférieur ou l'arbre seront endommagés, et l'arbre ne sera pas bien saisi. Ne pas placer l'appareil inférieur comme recommandé risque d'endommager le produit et d'annuler la garantie de ce dernier.

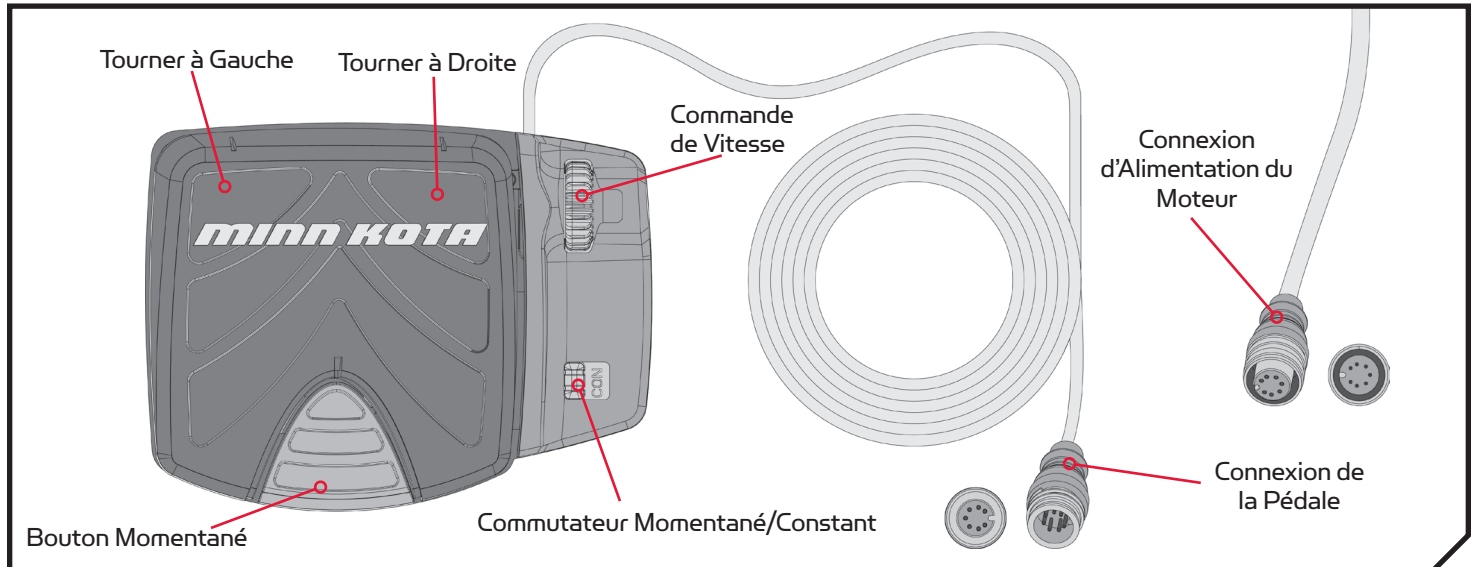


**REMARQUE:** Glissez le collier de profondeur vers le bas et fixez-le contre la partie supérieure du boîtier de direction lorsqu'en position arrimée, pour tenir le moteur en place et empêcher un déploiement accidentel.

# UTILISATION DE LA PÉDALE

## CONTRÔLE DE LA VITESSE ET DE LA DIRECTION AVEC LA PÉDALE

La pédale sert à opérer le moteur, et les contrôles sur la pédale sont faciles à faire fonctionner avec la main ou le pied. Le moteur peut aussi être contrôlé par une télécommande de système i-Pilot, ou une télécommande Minn Kota compatible, le cas échéant. Veuillez consulter le manuel du système i-Pilot ou de la télécommande compatible pour savoir comment la télécommande commande le moteur. Pour en apprendre davantage sur les accessoires compatibles avec le PowerDrive, veuillez visiter [minnkotamotors.com](http://minnkotamotors.com).



### Bouton Momentané

Le bouton Momentané est situé à l'extrémité talon de la pédale et sert à activer l'hélice.

### Commutateur Momentané/Constant

Le commutateur Momentané/constant sert à passer entre les modes Momentané et Constant. En mode Momentané (MOM), l'hélice tourne uniquement lorsqu'on appuie sur le bouton Momentané. En mode Constant (CON), l'hélice fonctionne continuellement, qu'on appuie sur le bouton Momentané ou non.

Si une hélice rencontre une obstruction en mode en rappel ou constante, alors qu'elle tourne, l'augmentation de la demande de courant électrique générée par l'obstruction signalera au moteur de réduire la puissance à l'hélice pour prévenir les dommages. Si la surcharge courante est détectée pendant plus de 20 secondes, l'hélice sera désactivée pour prévenir un dommage au moteur. Dans ce cas, l'opérateur peut remettre l'hélice en marche après avoir dégagé l'obstruction.

### Commande de Vitesse

La molette de commande de vitesse se trouve sur le côté droit supérieur de l'extrémité orteil de la pédale. Tournez la molette de commande de vitesse vers l'avant pour augmenter la vitesse et vers l'arrière pour la diminuer. Vous pouvez également ajuster la vitesse à l'aide de la télécommande, le cas échéant.

### Tourner à Droite et Tourner à Gauche

Le bouton principal sur la pédale sert à commander le gouvernail. Tournez à droite en appuyant sur le côté droit du bouton et tournez à gauche en appuyant sur le côté gauche du bouton. La position et la direction de la tête du gouvernail correspondent directement à la position du moteur. Vous devez



## MISE EN GARDE

Le système du gouvernail est conçu pour faire pivoter le moteur à 360°. Veuillez à ne pas trop enrouler le câble enroulé autour de l'arbre en composite. Le cordon enroulé peut être endommagé s'il est trop enroulé, ce qui empêchera le moteur de fonctionner correctement.

## CONTRÔLE DE LA VITESSE ET DE LA DIRECTION AVEC LA PÉDALE

garder votre pied sur la pédale pour contrôler la direction du gouvernail pendant le fonctionnement manuel. Vous pouvez également commander la direction du moteur avec la télécommande.

### Marche Arrière

L'hélice tourne toujours dans la direction avant. Vous pouvez inverser la direction de la propulsion en tournant le moteur à 180°.

**REMARQUE:** Le moteur n'appliquera pas de correction automatique pour maintenir un déplacement en ligne droite.



## AVERTISSEMENT

Vous seul êtes responsable de la navigation sécuritaire et prudente sur votre bateau. Nous avons conçu le PowerDrive pour qu'il soit un outil précis et fiable qui vous permettra d'améliorer l'utilisation de votre bateau et les résultats de votre pêche. Ce produit ne vous exonère pas de la responsabilité de naviguer en toute sécurité avec votre bateau. Vous devez éviter les dangers liés à la navigation et toujours exercer une veille permanente afin de pouvoir réagir au fur et à mesure que les situations se présentent. Vous devez toujours être prêt à reprendre le contrôle manuel de votre bateau. Apprenez à utiliser votre PowerDrive dans une zone exempte de dangers et d'obstacles.



## MISE EN GARDE

Pour des raisons de sécurité, débranchez le moteur de la ou des batteries lorsque le moteur n'est pas utilisé ainsi que pendant la charge de la ou des batteries. Si le contrôle du moteur est laissé en marche et que la rotation de l'hélice est bloquée, cela peut endommager sérieusement le moteur.



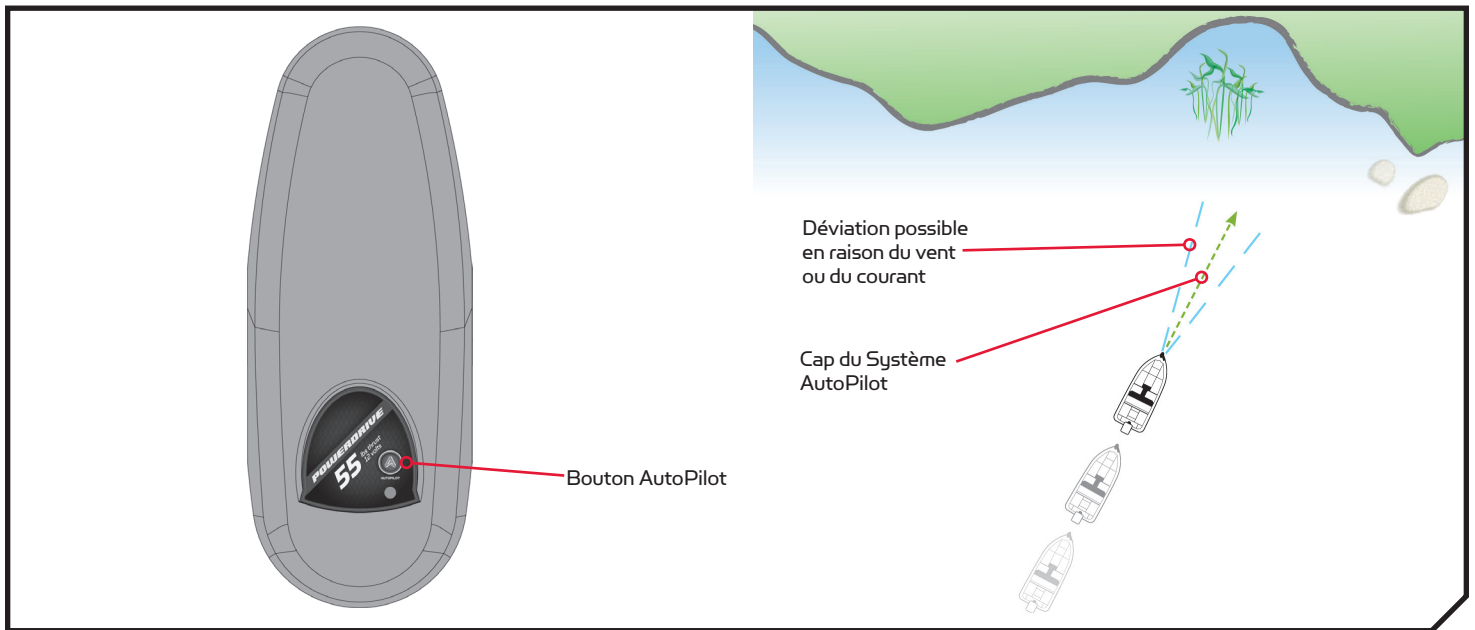
## AVERTISSEMENT

Pour éviter les blessures, utilisez de bonnes pratiques ergonomiques lorsque vous utilisez la pédale.

# AUTOPILOT™

## COMMANDES DU SYSTÈME AUTOPILOT

Vous pouvez acheter un moteur PowerDrive avec un système AutoPilot installé en usine. Le système AutoPilotMC de Minn Kota utilise une boussole magnétique et un microprocesseur pour garder le propulseur électrique pointé dans la direction où vous souhaitez aller. Chaque fois que le vent ou le courant fait dériver le bateau, le système AutoPilot détecte le changement et apporte des corrections pour ramener le bateau au cap d'origine. La direction du système AutoPilot est réglée chaque fois qu'on utilise le gouvernail. Pour changer de direction, dirigez jusqu'à ce que la tête de contrôle pointe dans la direction désirée. Le système AutoPilot fera tourner la proue du bateau et effectuera des corrections automatiques jusqu'à ce que le bateau se déplace dans la direction choisie.



### AutoPilot

Le système AutoPilot utilise une boussole interne pour assurer un maintien du cap. Lorsque le système AutoPilot est activé, il garde le moteur pointé dans le même sens que la boussole. Lorsqu'une correction manuelle est apportée au gouvernail, le système AutoPilot se verrouille sur le nouveau cap de la boussole selon lequel le bateau est piloté. Cette méthode de maintien du cap ne tient pas compte des forces externes comme le vent ou les courants latéraux, qui peuvent causer une dérive latérale.

## ⚠ MISE EN GARDE

Cet appareil utilise une boussole magnétique pour détecter le sens de déplacement. Les aimants ou les grands objets de métal ferreux près (à 12 po [30,5 cm] ou moins) de la tête de contrôle du propulseur électrique peuvent nuire au fonctionnement de la boussole.

Les obstructions sur l'hélice peuvent causer une vibration excessive de la tête du moteur. Cette vibration peut causer un comportement erratique de la boussole et de la direction. Éliminez l'obstruction pour restaurer le fonctionnement normal du moteur.

## COMMANDE DU SYSTÈME AUTOPILOT

### Activation et Désactivation du Système AutoPilot

Lorsque le système AutoPilot est activé et que le propulseur électrique est tiré hors de l'eau en position arrimée, le moteur du gouvernail continuera à fonctionner. Mettez l'interrupteur AutoPilot en position arrêt pour arrêter le moteur du gouvernail. Si l'interrupteur est laissé en position marche, le moteur du gouvernail s'éteindra automatiquement après 10 secondes. Toutefois, le moteur ne devrait pas être entreposé dans cet état pendant de longues périodes, car toutes les composantes électroniques restent sous tension. Lorsque vous entreposez votre bateau, mettez toujours l'interrupteur AutoPilot en position arrêt et débranchez toujours votre moteur de la batterie.

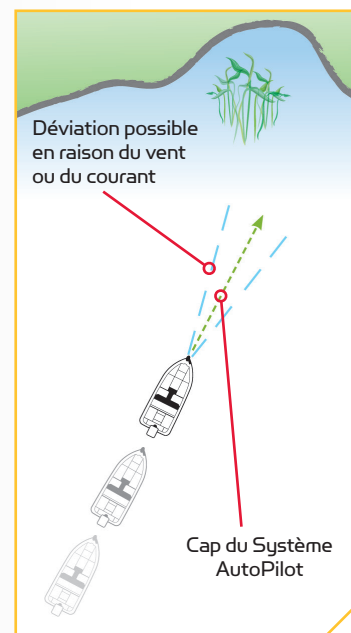
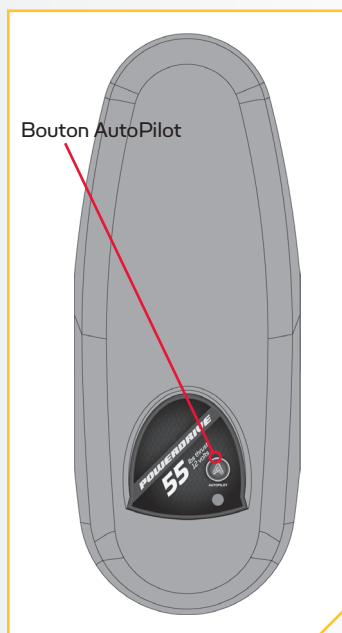
- 1
  - a. Lorsque le moteur fonctionne, le système AutoPilot peut être activé en appuyant sur le bouton AutoPilot situé au-dessus de la tête de contrôle du moteur.
  - b. Avec le système AutoPilot activé, manœuvrez votre bateau comme vous le souhaitez.



### MISE EN GARDE

Lorsque le système AutoPilot est activé et que le propulseur électrique est tiré hors de l'eau en position arrimée, le moteur du gouvernail continuera à fonctionner. Mettez l'interrupteur AutoPilot en position arrêt pour arrêter le moteur. Si l'interrupteur est laissé en position marche, le moteur du gouvernail s'éteindra automatiquement après 10 secondes. Toutefois, le moteur ne devrait pas être entreposé dans cet état pendant de longues périodes, car toutes les composantes électroniques restent sous tension. Lorsque vous entreposez votre bateau, mettez toujours l'interrupteur AutoPilot en position arrêt et débranchez toujours votre moteur de la batterie.

- c. Pour désactiver le système AutoPilot, appuyez à nouveau sur le bouton AutoPilot.



**REMARQUE:** Après avoir établi une nouvelle orientation, il y a un court délai avant que l'orientation ne soit verrouillée, afin de permettre à la boussole de se stabiliser. Lors de grands changements de vitesse, le cap du système AutoPilot pourrait changer légèrement. C'est normal.



# SERVICE ET ENTRETIEN

## REPLACEMENT DE L'HÉLICE

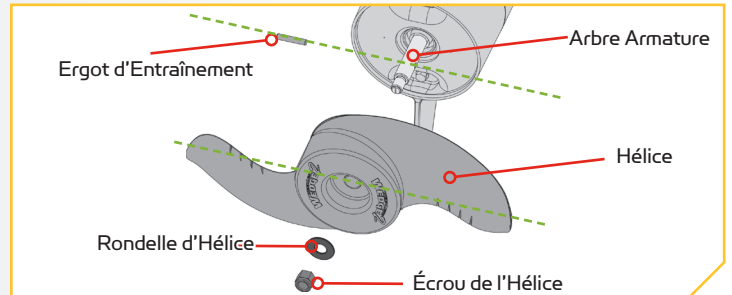
### OUTILS ET RESSOURCES NÉCESSAIRES

- Clé plate 9/16 po (14,29 mm)
- Tournevis à lame plate

### INSTALLATION

- a. Débrancher le moteur de toute source d'alimentation avant de changer l'hélice.
  - b. Maintenez l'hélice et desserrez l'écrou de l'hélice à l'aide d'une pince ou d'une clé.
  - c. Retirez l'écrou et la rondelle de l'hélice.

**REMARQUE:** Si l'ergot d'entraînement est cisailé ou cassé, tenez l'arbre stable à l'aide d'une lame de tournevis enfoncée dans la fente à l'extrémité de l'arbre pendant que vous desserrez l'écrou de l'hélice.



### MISE EN GARDE

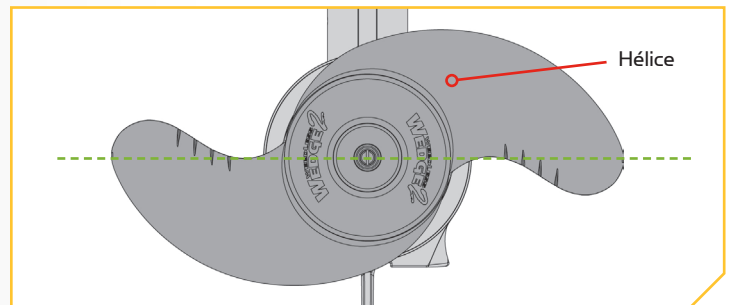
Débranchez le moteur de la batterie avant d'effectuer tout travail ou entretien sur l'hélice.

- d. Tournez la vieille hélice à l'horizontale, puis la retirer à la verticale. Si l'ergot d'entraînement tombe, repoussez-le vers l'intérieur.



### MISE EN GARDE

Si l'hélice ne glisse pas facilement, tirez sur l'hélice de manière égale en faisant attention à ne pas plier l'arbre armature tout en retirant l'hélice hors de l'arbre armature.

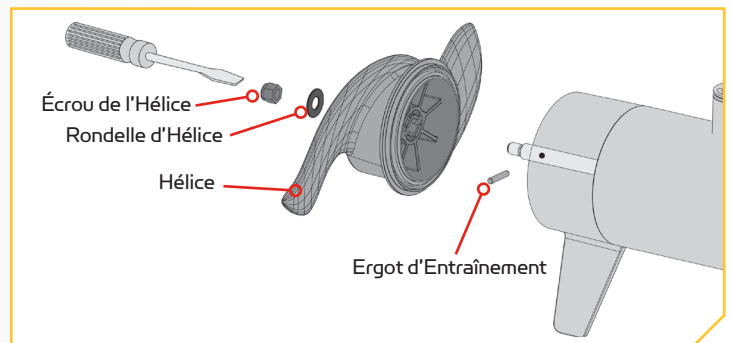


- e. Alignez la nouvelle hélice avec l'ergot d'entraînement.
  - f. Installez la rondelle et l'écrou de l'hélice.
  - g. Serrez l'écrou de l'hélice 1/4 de tour passé le serrage confortable à 25-35 po-lb (2,8-4 Nm).



### MISE EN GARDE

Ne pas trop serrer pour ne pas endommager l'hélice.



## ENTRETIEN GÉNÉRAL

- Après l'utilisation, il faut rincer complètement le moteur avec de l'eau douce. Cette série de moteurs ne peut pas être exposée à l'eau salée.
- L'arbre en composite doit être régulièrement nettoyé et lubrifié pour une bonne rétraction et un bon déploiement. Une vaporisation de silicone à base aqueuse améliorera son fonctionnement.
- Après chaque utilisation, on doit inspecter l'hélice et éliminer les herbes ainsi que les lignes de pêche pouvant s'y trouver.
- Les lignes de pêche et les herbes peuvent se nicher derrière l'hélice, abîmer les joints et laisser l'eau pénétrer dans le moteur.
- Chaque fois que le moteur est utilisé, assurez-vous que l'écrou de l'hélice est fixé solidement.
- Afin de prévenir les dommages accidentels, pendant le transport ou l'entreposage, débranchez la batterie lorsque le moteur est hors de l'eau. Pour un entreposage prolongé, enduisez légèrement toutes les parties métalliques d'un protecteur aqueux à base de silicone.
- Pour profiter de la durée de vie maximale de la batterie, rechargez la ou les batteries dès que possible après utilisation. Pour une performance maximale du moteur, rechargez la batterie complètement avant utilisation.
- Gardez les bornes de la batterie propres à l'aide de papier sablé fin ou de toile d'émeri.
- L'hélice est conçue pour fonctionner en repoussant les algues avec un niveau d'efficacité très élevé. Pour maintenir ce haut rendement, le bord d'attaque des pales doit être gardé lisse. S'il est rugueux ou ébréché en raison de l'utilisation, le rendre lisse à nouveau à l'aide de papier de verre fin.
- Arrimez le moteur après chaque utilisation afin de permettre à l'eau de se vider du boîtier du gouvernail. De l'eau restant dans le boîtier du gouvernail lorsque le moteur n'est pas utilisé pourrait causer des dommages.

## DÉPANNAGE

1. Le moteur ne tourne pas ou manque de puissance:
  - Vérifier la polarité des raccordements de batterie..
  - Vérifier que les bornes sont propres et exemptes de corrosion. Utiliser du papier sablé ou de la toile d'émeri pour nettoyer les bornes.
  - Vérifier le niveau d'eau de la batterie. Ajouter de l'eau, le cas échéant.
2. Le moteur baisse en puissance peu après son démarrage :
  - Vérifier la charge de la batterie. Si le niveau est bas, la remettre à pleine charge..
3. Si l'hélice vibre en cours de fonctionnement normal:
  - Retirer, puis faire pivoter l'hélice à 180°. Voir les directives pour le retrait dans la section portant sur le remplacement de l'hélice.
4. Votre sondeur fait l'objet d'interférences:
  - Dans certaines applications, de l'interférence à l'écran de l'échosondeur pourra survenir. Nous recommandons qu'une batterie marine à décharge profonde séparée soit utilisée pour votre propulseur électrique et que l'échosondeur soit alimenté à l'aide d'une batterie de démarrage/à manivelle. Si les problèmes persistent, communiquer avec le service technique au 1 800 227-6433.

**REMARQUE:** Pour tout autre défaut de fonctionnement, visitez un centre de service agréé. Vous pouvez trouver un centre de service agréé dans votre région en consultant la liste de nos centres de service agréés sur le site [www.minnkotamotors.com](http://www.minnkotamotors.com), ou en appelant notre service à la clientèle au 1 800 227-6433.

### POUR D'AUTRES SERVICES DE DÉPANNAGE ET DE RÉPARATION

Nous offrons plusieurs options de dépannage et/ou de réparation pour le produit. Veuillez parcourir les options énumérées ci-dessous.



#### **Acheter des Pièces en Ligne**

Vous pouvez acheter des pièces en ligne directement à partir de notre site web à [minnkotamotors.com](http://minnkotamotors.com). Les commandes confirmées avant midi (heure du centre) seront expédiées le jour même, si les articles sont en stock. Les commandes placées après midi (heure du centre) seront expédiées le jour suivant, si les articles sont en stock.



#### **Foire Aux Questions**

Notre site Web met à votre disposition des FAQ visant à répondre à toutes vos questions au sujet des produits Minn Kota. Veuillez visiter le site Web [minnkotamotors.com](http://minnkotamotors.com) puis cliquer sur "Foire Aux Questions" pour trouver réponse à vos questions.



#### **Appelez-Nous (Pour les états-unis et le Canada)**

Nos représentants du service à la clientèle sont disponibles du lundi au vendredi, de 7 h à 16 h 30 (hnc), au 800-227-6433. Pour commander des pièces, veuillez avoir sous la main le numéro de série à 11 chiffres du produit, les numéros des pièces nécessaires et les renseignements relatifs à la carte de crédit. Vous économiserez ainsi du temps pour un service à la clientèle de qualité supérieure. Vous pouvez consulter la liste de votre manuel pour obtenir les numéros.



#### **Envoyez-Nous un Courriel**

Vous pouvez envoyer par courriel vos questions au sujet des produits minn kota à notre service à la clientèle. Pour transmettre votre question par courriel, visitez [minnkotamotors.com](http://minnkotamotors.com), puis cliquez sur "Soutien".



#### **Centres de Service Agréés**

Minn Kota compte plus de 300 centres de service agréés aux États-Unis et au Canada pour acheter des pièces ou faire réparer vos produits. Veuillez consulter la page Centres de service agréés sur notre site Web pour trouver un centre de service dans votre région.



Balayez le code qr pour visiter le service en ligne Minn Kota.

# DÉCLARATIONS DE CONFORMITÉ

## DÉCLARATION DE CONFORMITÉ ENVIRONNEMENTALE

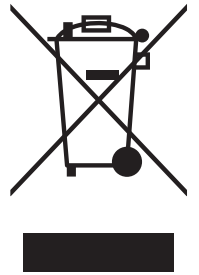
Il est dans l'intention de JOME d'être une entreprise citoyenne responsable, dont l'exploitation est conforme à la réglementation environnementale en vigueur et qui est connue pour être un bon voisin dans les collectivités où nous fabriquons ou vendons nos produits.

### DIRECTIVE DEEE

La directive européenne 2002/96/CE « Directive concernant les déchets d'équipements électriques et électroniques (DEEE) » a un impact sur la plupart des distributeurs, vendeurs et fabricants d'électronique pour le grand public au sein de l'Union européenne. La directive DEEE exige que le producteur d'électronique pour le grand public prenne une part de responsabilité, en ce qui concerne la gestion des déchets de leurs produits, afin d'atteindre une élimination écologique, et ce, tout au long du cycle de vie du produit.

Il se peut que, selon votre emplacement, vous ne soyez pas tenu (e) de vous conformer à la directive DEEE pour ce qui est des équipements électriques et électroniques (EEE), et il se peut qu'il en soit de même pour les EEE conçus et destinés à être utilisés comme installations fixes ou temporaires dans les véhicules de transport tels que les voitures, les avions et les bateaux. Dans certains États de l'Union européenne, ces véhicules sont réputés ne pas relever de la directive, et les EEE, pour ces applications peuvent être considérés comme exclus de l'exigence de la directive DEEE.

Ce symbole (DEEE poubelle sur roues) sur le produit indique que ce dernier ne doit pas être jeté avec les déchets domestiques. Il doit être éliminé et collecté pour le recyclage et la récupération des DEEE. Johnson Outdoors Inc. marquera tous les produits EEE en conformité avec la directive DEEE. C'est notre but de nous conformer à la collecte, au traitement, à la récupération et à l'élimination écologique judicieuse de ces produits, mais ces exigences varient au sein des différents États membres de l'Union européenne. Pour de l'information supplémentaire sur l'endroit où vous pouvez éliminer les équipements usagés pour leur recyclage et leur récupération et/ou ou selon les exigences particulières de l'État membre de l'Union européenne, veuillez communiquer avec le détaillant ou le distributeur duquel vous avez acheté le produit.



### ÉLIMINATION

Les moteurs Minn Kota ne sont pas soumis à la réglementation concernant l'élimination VGE-VO (directive pour les dispositifs électriques), qui transpose la directive DEEE. Néanmoins, ne jamais jeter le moteur Minn Kota dans une poubelle, mais plutôt à l'endroit approprié où s'effectue la collecte, recommandé par le conseil municipal local.

Ne jamais jeter aucune batterie à la poubelle. Se conformer aux directives d'élimination du fabricant ou de son représentant et la jeter à l'endroit approprié où s'effectue la collecte, recommandé par le conseil municipal local.

## INFORMATIONS DE CONFORMITÉ RÉGLEMENTAIRE

### Moteurs Équipés de i-Pilot

Pour des informations réglementaires sur les moteurs ayant un i-Pilot installé en usine, veuillez vous reporter au manuel en ligne i-Pilot sur [minnkotamotors.com](http://minnkotamotors.com).

## CONFORMITÉ FCC

---

### Modèle: CoPilot

Ces informations ne s'appliquent qu'aux moteurs ayant un système CoPilot installé en usine.

- Contient IC: 4397A-M05COPLT
- Contient une ID de la FCC: M05COPLT

## CONFORMITÉ FCC

Cet appareil est conforme à la section 15 des règles de la FCC.

### Son fonctionnement est soumis aux deux conditions suivantes :

1. Ce dispositif ne doit pas causer d'interférences nuisibles.
2. Cet appareil doit accepter toute interférence qui peut être reçue, y compris les interférences susceptibles de perturber son fonctionnement.

Les changements ou modifications non expressément approuvés par Johnson Outdoors Marine Electronics, Inc. peuvent annuler le droit d'utilisation de cet équipement accordé à l'utilisateur.

Cet équipement est en conformité avec la partie 15 des réglementations CFC. Son fonctionnement est soumis à ces deux conditions : (1) Cet équipement ne doit pas causer d'interférence nuisible, et (2) cet équipement doit accepter toute interférence reçue, incluant d'un type pouvant causer un fonctionnement indésirable. Des changements ou des modifications non approuvés formellement par la partie responsable de la conformité doivent annuler le droit d'usage pour cet équipement.

**Remarque :** Cet équipement a été testé et s'est avéré conforme aux limites pour un appareil numérique de classe B, conformément à la section 15 des règles de la FCC. Ces limites sont conçues pour fournir une protection raisonnable contre les interférences nuisibles dans une installation résidentielle. Cet équipement génère, utilise et peut émettre des fréquences radio et, s'il n'est pas installé et utilisé conformément aux instructions, peut causer des interférences nuisibles pour les communications radio. Il n'existe cependant aucune garantie que des interférences ne se produiront pas dans une installation donnée. Si cet équipement provoque des interférences nuisibles à la réception radio ou télévision, ce qui peut être déterminé en l'éteignant et en le rallumant, l'utilisateur est encouragé à essayer de corriger l'interférence par une ou plusieurs des mesures suivantes :

- Réorienter ou déplacer l'antenne de réception.
- Augmenter la distance entre l'équipement et le récepteur.
- Connecter l'équipement à une sortie sur un circuit différent de celui sur lequel est branché le récepteur.
- Consulter le revendeur ou un technicien radio/TV expérimenté.

## CONFORMITÉ AUX NORMES D'INDUSTRIE CANADA

Ce produit est conforme aux spécifications techniques applicables d'Industrie Canada. Son fonctionnement est soumis aux deux conditions suivantes: (1) cet appareil ne peut causer d'interférences et (2) il doit tolérer toute interférence, même celle pouvant causer un fonctionnement indésirable de l'appareil.

Les changements ou les modifications non expressément approuvés par Johnson Outdoors Marine Electronics, Inc. peuvent annuler l'autorisation de l'utilisateur de faire fonctionner cet équipement.

## COTES ENVIRONNEMENTALES

Température ambiante de fonctionnement : -10 à 50 °C

Humidité ambiante de fonctionnement : 5 à 95 %

Altitude maximale de fonctionnement : 10 000 pieds (3 048 mètres)

### MANUEL DE L'UTILISATEUR MASTER CE (POUR MODÈLES CERTIFIÉS CE)



# SCHÉMA DES PIÈCES ET LISTE DES PIÈCES

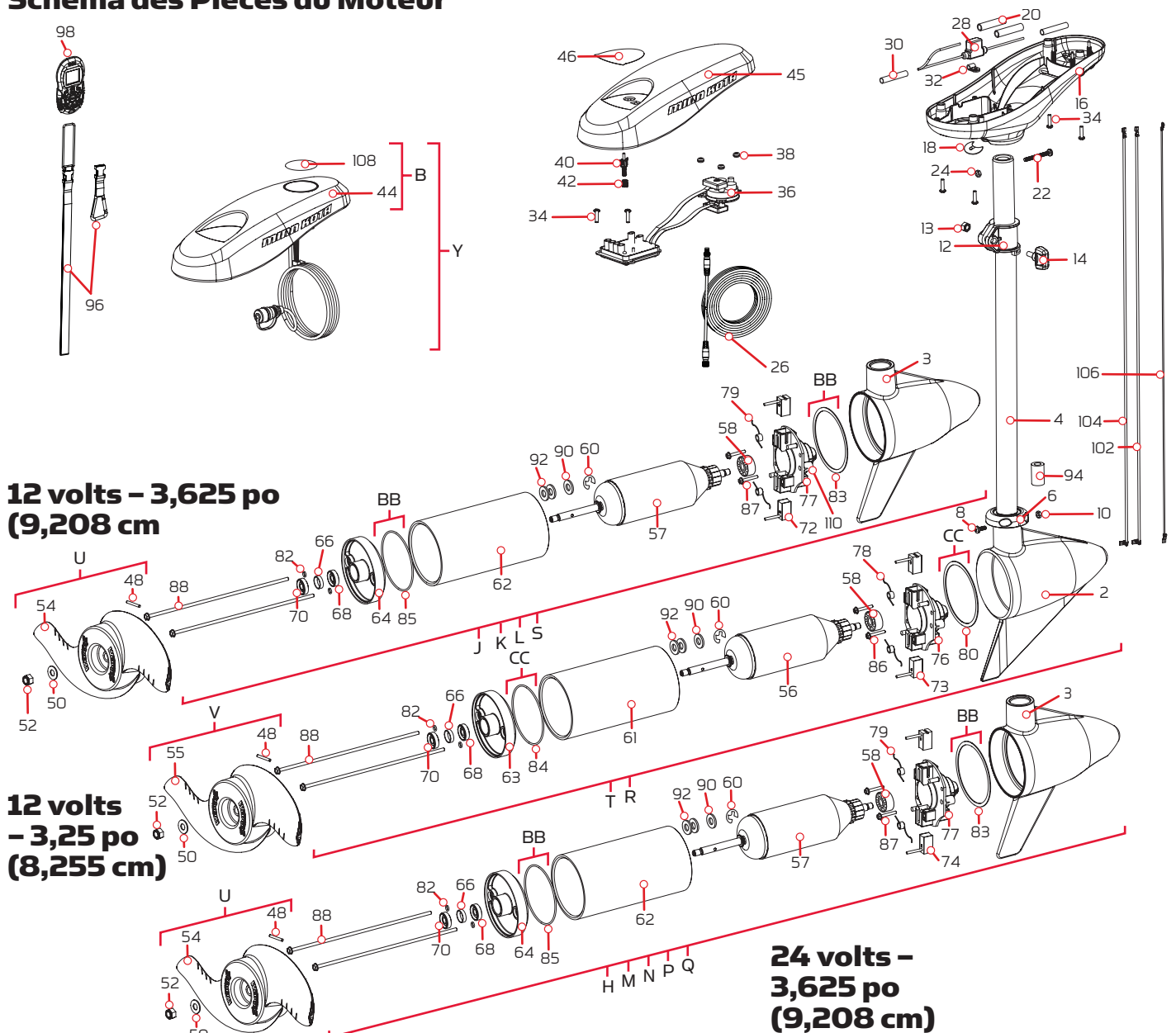
## POWERDRIVE

**POUSSÉE DE 45/50/55/70 LB (20,4/22,7/24,9/31,8 KG) - 12/24 VOLTS - ARBRE DE 48 PO/55 PO/60 PO (122 CM/140 CM/152 CM)**

Ce schéma des pièces et cette liste des pièces fournissent les directives pour la dépose de Minn Kota® en conformité avec la directive DEEE. Pour de l'information supplémentaire sur l'endroit où vous pouvez éliminer les équipements usagés pour leur recyclage et leur récupération et/ou selon les exigences particulières de l'État membre de l'Union européenne, veuillez communiquer avec le détaillant ou le distributeur duquel vous avez acheté le produit. Outils requis, entre autres : tournevis à tête plate, tournevis cruciforme, jeu de douilles, pinces, cisailles.

### MOTEUR POWERDRIVE

#### Schéma des Pièces du Moteur





## SCHÉMA DES PIÈCES ET LISTE DES PIÈCES

### Liste des Pièces du Moteur

Ensemble	Nº de Pièce	Description	Quantité
B	2770202 ♦	COVER KIT, POWERDRIVE *i-PILOT COVER & DECALS ONLY*	1
H	2106046	MTR ASY US2.5 24V 3.62 70# *FRESHWATER* *60"* *UNIVERSAL SONAR*	1
J	2097090	MTR ASY 12V 3.62 VS FW 55# *FRESHWATER* *54"*	1
K	2107098	MTR ASY US2.5 12V 3.62" 55# *FRESHWATER* *54"* *UNIVERSAL SONAR*	1
L	2097074	MTR ASY 12V 3.62 VS FW 55#*FRESHWATER* *48"*	1
M	2096051	MTR ASY 24V 3.62 VS 70# FW *FRESHWATER* *54"*	1
N	2096032	MTR ASY 24V 3.62 VS 70# *FRESHWATER* *60"*	1
P	2106045	MTR ASY US2.5 24V 3.62 70# *FRESHWATER* *54"* *UNIVERSAL SONAR*	1
Q	2096050	MTR ASY 24V 3.62 VS 70# FW *FRESHWATER* *48"* *PONTOON 68*	1
R	2069283	MTR ASY 12V 3.25 VS FW 45 *FRESHWATER* *48"*	1
S	2097034	MTR ASY 12V 3.62 VS 50# *FRESHWATER* *48"* *54"*	1
T	2069233	MTR ASY 12V 3.25 VS FW 40# BB *FRESHWATER* *54"*	1
U	1378131	PROP IND 2091160 (WDL5 WDGII)	1
V	1378121	PROP IND 2061122 (PWR PROP)	1
Y	2774063 ♦	MOTOR KIT, iPLT 1.6 POWERDRIVE *i-PILOT RECEIVER*	1
BB	2888460	SEAL & O-RING KIT *3.625*	1
CC	2883460	SEAL & O-RING KIT *3.25*	1
Nº d'Article	Nº de Pièce	Description	Quantité
2	421-132	HSG BRUSH END 3.25	1
3	9421-171	BRUSH END HSG TRANSDUCER 3.625, US2.5 *54"*	1
	9421-173	BRUSH END HSG TRANSDUCER 3.625, US2.5 *60"*	1
	421-065	HSG BRUSH END 3.62	1
4	2032074	TUBE COMPOSITE 60" PD/AP	1
	2032076	TUBE COMPOSITE 54" PD/AP	1
	2032075	TUBE COMPOSITE 48" PD/AP	1
6	2301555	COLLAR-LATCH, PD/AP	1
8	2303434	SCREW-#8-32 X 5/8 MACH PHCR SS	1
10	2303112	NUT-#8-32 NYLOCK SS	1
12	2031522	COLLAR DRIVE (W/INSERT)	1
13	2323104	HEX NUT 1/4 -20 SS	1
14	2011365	SCREW-COLLAR/NEW KNOB *FRESHWATER*	1
16	2292505	CONTROL BOX (PD/AP) *FRESHWATER*	1
18	2224704	INSERT-PLUG, BLK, I PILOT *LARGE HOLE* *FRESHWATER*	1
	2224702	INSERT-PLUG *NO HOLE* *FRESHWATER*	1
	2224700	INSERT-PLUG US2 *SMALL HOLE* *FRESHWATER*	1

✘ Cette pièce est incluse dans un ensemble et ne peut pas être commandée individuellement.

▲ N'est pas montrée sur le schéma des pièces.

♦ Peut être disponible uniquement avec le système i-Pilot.

## SCHÉMA DES PIÈCES ET LISTE DES PIÈCES

N° d'Article	N° de Pièce	Description	Quantité
20	2065400	WIRE INSULATOR-LGE 1-3/4,BLUE *FRESHWATER*	2
22	2033400	SCREW-#10-24 X 1-3/4 PPH Z/P *FRESHWATER*	1
24	2013110	NUT-HEX #10-24 UNC-2B (ZCP) *FRESHWATER*	1
26	2211415	CABLE-EXTENSION, PD/AP 110" *US2 ONLY*	1
28	2218200	FUSE HOLDER ASSEMBLY *FRESHWATER*	1
30	2375400	SHRINK TUBE-1/4OD X 1-3/4 *FRESHWATER*	2
32	2052510	CABLE CLAMP, 3/16", NYLON	1
34	2372100	SCREW-#8-18 X 5/8 THD* (SS)	7
36	2994100	CTRL BRD/COMPASS ASY AP *AUTOPILOT*	1
38	2302960	GROMMET-COMPASS *AUTOPILOT*	3
40	2302830	ACTUATOR-SWITCH,ON/OFF A/P *AUTOPILOT*	1
42	2302752	SPRING-ACTUATOR, PD/AP, S/S *AUTOPILOT*	1
44	✘	MOTOR KIT, iPLT 1.6 POWERDRIVE	1
45	2290207	CVR, CTRL BOX, V3 PRINTED	1
46	2315698	DECAL-GENERIC, PUSH BTN TOP FW	1
48	2092600	PIN-DRIVE 1.06" LG (SS)	1
50	2151726	WASHER-5/16 STD (S/S)	1
52	2053101	NUT-PROP,NYLOC (MED) 5/16 SS	1
54	2091160	PROP-WW2 (3.625") REAMED	1
55	2061122	PROP-POWER (3.25")	1
56	2-100-202	ARMATURE AS SY 12V 3.25 *FRESHWATER*	1
57	2-100-119	ARMATURE AS SY 24V 3.62 70# *FRESHWATER*	1
	2-100-117	ARM ASY 12V 3.62 55#2.88"	1
58	140-010	BALL BEARING *FRESHWATER*	1
60	788-015	RETAINING RING *3.625* *3.25*	1
61	2-200-079	CTR HSG ASY 3.25 TX-MAGNET	1
62	2-200-005	CTR HSG ASY 3.625 FW-MAGNET *24 VOLT*	1
	2-200-101	CTR HSG ASY 3.625 TX-MAGNETIZED *12 VOLT*	1
63	2-400-128	PLAIN END HSG ASY 3.25	1
64	2-400-101	PLAIN END HSG ASY 3.625	1
66	144-049	BEARING - FLANGE (SERVICE ONLY)	1
68	880-003	SEAL	1
70	880-006	SEAL WITH SHIELD	1
72	188-036	BRUSH ASSEMBLY 3.625	2
73	188-052	BRUSH ASSEMBLY 3.25	2
74	188-037	BRUSH ASSEMBLY 3.625 *70LB THRUST ONLY*	2
76	738-030	BRUSH PLATE 3.25	1

✘ Cette pièce est incluse dans un ensemble et ne peut pas être commandée individuellement.

▲ N'est pas montrée sur le schéma des pièces.

◆ Peut être disponible uniquement avec le système i-Pilot.

## SCHÉMA DES PIÈCES ET LISTE DES PIÈCES

N° d'Article	N° de Pièce	Description	Quantité
77	738-036	BRUSH PLATE 3.625	1
78	975-032	SPRING - COMPRESSION 3.25	2
79	975-040	SPRING - TORSION 3.625	2
80	701-041	O-RING MEDIUM 3.25	1
82	701-008	THRU BOLT O-RING 3.25	2
	701-007	O-RING 3.25 *45LB THRUST*	2
83	337-036	GASKET	1
84	701-039	O-RING SMALL 3.25	1
85	701-081	O-RING 3.625	1
86	830-001	SCREW-#8-32x1.75 SELF-THRD	2
87	830-007	SCREW, # 8-32	2
88	830-078	THRU BOLT 8-32 X 8.96 *45LB THRUST*	2
	830-008	THRU BOLT 10-32 x 9.205 *70LB THRUST*	2
	830-042	THRU BOLT 10-32 X 8.83 *55LB THRUST*	2
90	990-067	WASHER - STEEL THRUST	1
92	990-070	WASHER - NYLATRON	2
94	2307314	BEAD-FERRITE *70LB THRUST*	1
96	2390800 ♦	LANYARD, REMOTE W/ CARABINER	1
98	2994075 ♦	REMOTE ASSY, IPILOT 1.6	1
102	640-316	LEADWIRE BROWN 18 AWG 71" GPT	1
	640-315	LEADWIRE BROWN 18 AWG 62" GPT	1
104	640-104	LEADWIRE RED 10AWG 48" *45LB THRUST*	1
	640-105	LEADWIRE RED 10AWG 48" 54" *55LB THRUST* *68/70LB THRUST PONTOON*	1
	640-106	LEADWIRE RED 10AWG 54" 60" *70LB THRUST*	1
	640-107	LEADWIRE RED 10AWG 65-1/2" GPT *55LB THRUST*	1
	640-109	LEADWIRE RED 10AWG 48" 54" *55LB THRUST*	1
106	640-004	LEADWIRE BLK 10AWG 48", 54" *55LB THRUST*	1
	640-007	LEAD WIRE BLK 10AWG 60" *70LB THRUST*	1
	640-005	LEADWIRE BLK 10AWG 48" *PONTOON* *68/70 LB THRUST*	1
	640-008	LEADWIRE BLK 10 AWG 54", 60" *70 LB THRUST*	1
	640-010	LEADWIRE BLK 10AWG 48" 54" *55LBS THRUST*	1
	640-003	LEADWIRE BLK 10AWG 48" *45LB THRUST*	1
108	✘	DECAL, DOMED IPILOT FW	1
110	2307314	BEAD-FERRITE	1

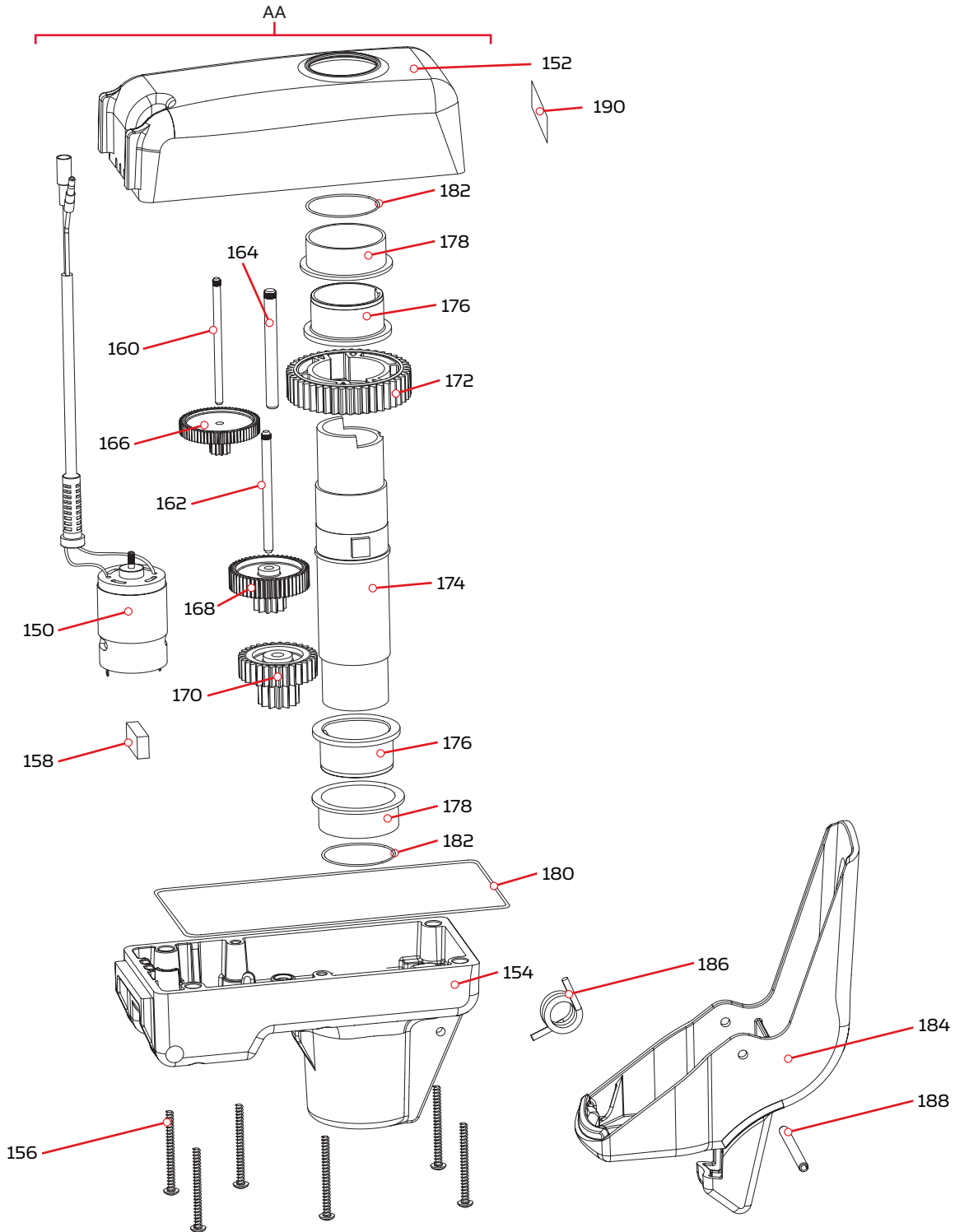
✘ Cette pièce est incluse dans un ensemble et ne peut pas être commandée individuellement.

▲ N'est pas montrée sur le schéma des pièces.

♦ Peut être disponible uniquement avec le système i-Pilot.

BOÎTIER DE DIRECTION DU POWERDRIVE

Schéma des Pièces du Boîtier de Direction



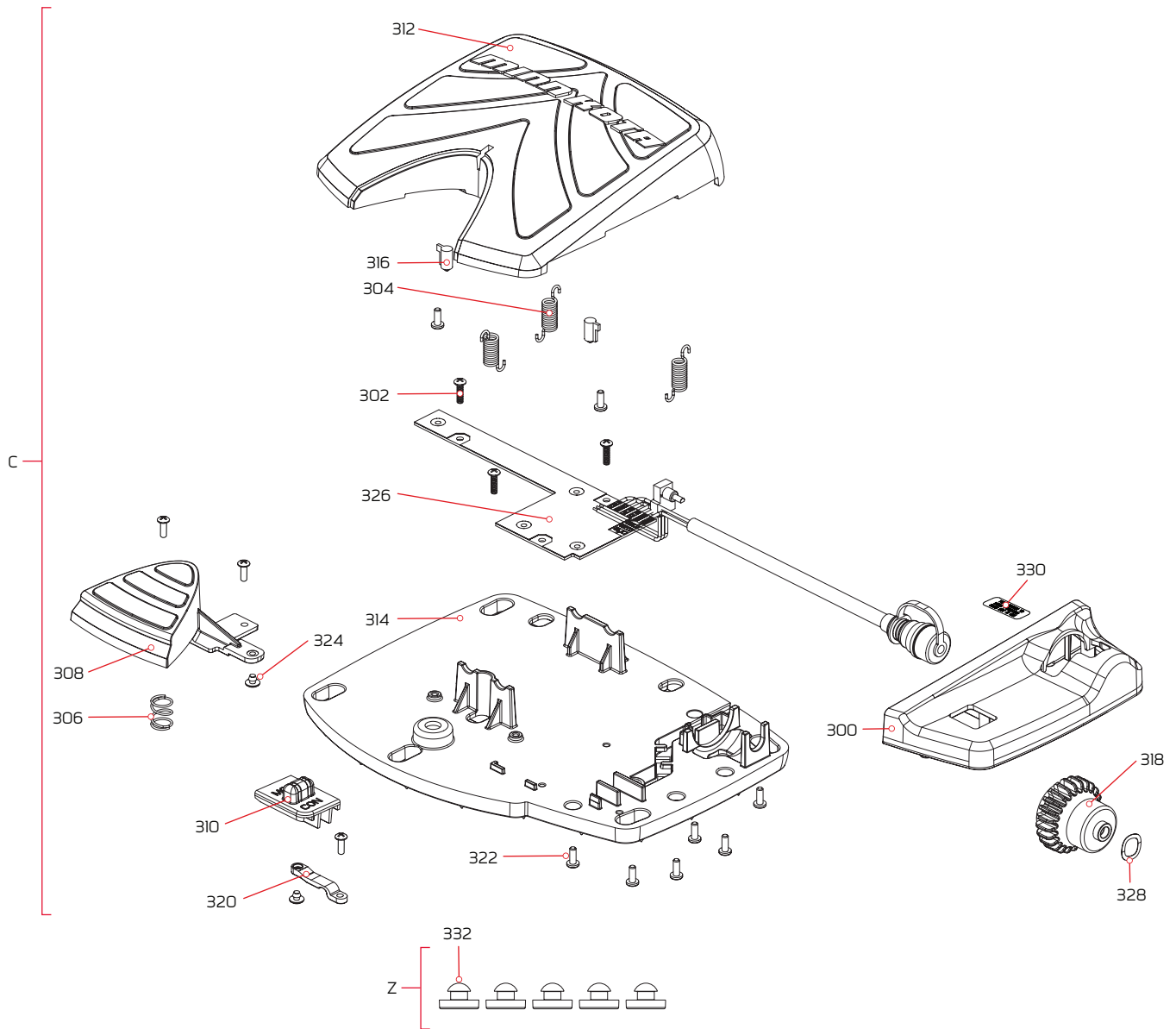
## SCHÉMA DES PIÈCES ET LISTE DES PIÈCES

### Liste des Pièces du Boîtier de Direction

Ensemble	Nº de Pièce	Description	Quantité
AA	2771826	DRIVE HOUSING ASSY, PD	1
Nº d'Article	Nº de Pièce	Description	Quantité
150	2307050	MOTOR DR.HSG PD/AP 12,24V	1
152	2302541	CASE-UPPER,ALUM,FW,PAINTED	1
154	2302561	CASE-LOWER, ALUM, FW, PAINTED	1
156	2303408	SCREW-#8-32 TYPE F TORX PH SS	6
158	2308601	BREATHER FILTER, DR.HOUSING	1
160	✘	SHAFT-GEAR, FIRST CLUSTER	1
162	✘	SHAFT-GEAR,INTERMED.CLUSTER	1
164	✘	SHAFT-GEAR, THIRD CLUSTER	1
166	2302245	GEAR & PINION,DR. HSG, STAGE 2	1
168	2302250	GEAR & PINION,DR. HSG, STAGE 3	1
170	2302255	GEAR & PINION,DR. HSG, STAGE 4	1
172	2302260	GEAR-OUTPUT SHAFT,STG 5	1
174	2302010	SHAFT-OUTPUT, DR.HOUSING	1
176	2307304	BUSHING-INNER, UPPER/LOWER	2
178	2307305	BUSHING-OUTER, UPPER/LOWER	2
180	2304603	O-RING-SHAFT SEAL UPPER/LOW	2
182	2304604	O-RING-CASE SEAL	1
184	2307201	LEVER,GRIP GLIDE II	1
186	2302750	SPRING-LATCH,TORSION,PD/AP,S/S	1
188	2302627	PIN-ROLL,3/16 X 2.5" ZP	1
190	2305564	DECAL - STOW/DEPLOY	1

PÉDALE POWERDRIVE

Schéma des Pièces de la Pédale





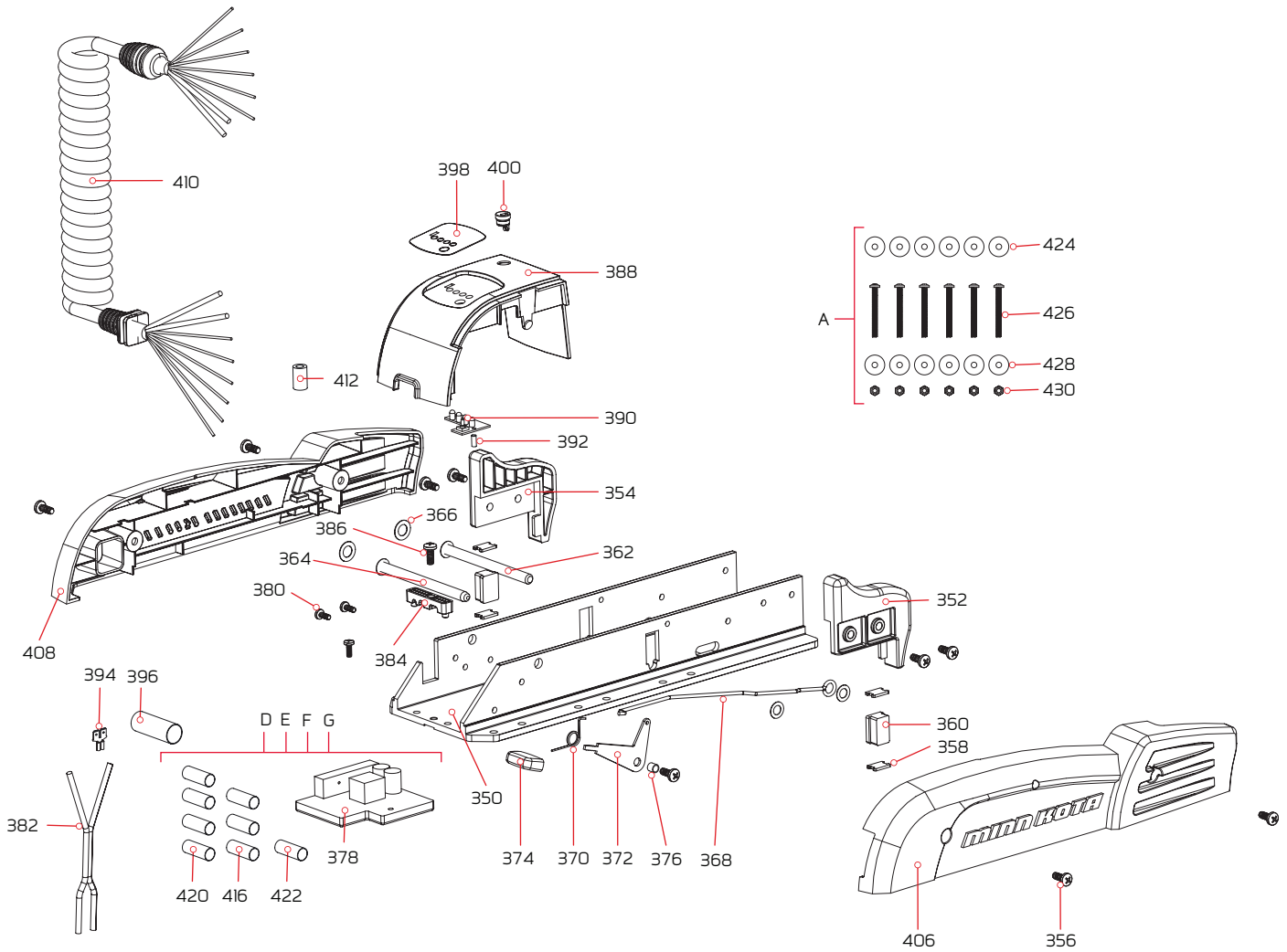
## SCHÉMA DES PIÈCES ET LISTE DES PIÈCES

### Liste des Pièces de la Pédale

Ensemble	Nº de Pièce	Description	Quantité
C	2994727	FOOT PEDAL ASSEMBLY, PD	1
Z	2994859	BAG ASY-TERROVA/V2,RUB.BUMPERS	1
Nº d'Article	Nº de Pièce	Description	Quantité
300	2300275	COVER-SPEED SELECTOR,PD FP,BLK	1
302	2302100	SCREW-#6-20 X 1/2 THD CUTS	3
304	2302730	SPRING-LONG-UPPER PEDAL	3
306	2302732	SPRING-LOWER PEDAL S/S	1
308	2303725	BUTTON-MOMENTARY, PD FP, BLK	1
310	2303730	BUTTON-MOM/CON, PD FP, BLK	1
312	2304405	PEDAL, STRG ROCKER, PD FP, BLK	1
314	2304508	BASE, PEDAL PD	1
316	2305136	BUMPER,STRG RCKR,PD FP,RUBBER	2
318	2307905	WHEEL-SPEED, PD FP, BLK	1
320	2308609	SWITCH LEVER, SINGLE	1
322	2332103	SCREW-#6-20 X 3/8 THD*(SS)	11
324	2335130	BUMBER ACTUATOR	2
326	2994053	PCB/CTRL CORD, PD FT PEDAL	1
328	2301750	WASHER, WAVE, PD V3 FP	1
330	2316600	DECAL-ON/OFF SWITCH/PD V2 PED	1
332	2325110	PAD, FOOT PEDAL PD	5

SUPPORT POWERDRIVE

Schéma des Pièces du Support



# SCHÉMA DES PIÈCES ET LISTE DES PIÈCES

## Liste des Pièces du Support

Ensemble	Nº de Pièce	Description	Quantité
A	2994864	BAG ASSEMBLY - (BOLT, NUT, WASHERS)	1
D	2884058	CONTROL BOARD-24V V2 W AP W/SHRNK *AUTOPILOT*	1
E	2884055	CONTROL BRD-12V V2 W/O AP W/SHRNK	1
F	2884057	CONTROL BOARD-12V V2 W/AP W/SHRNK *AUTOPILOT*	1
G	2884056	CONTROL BRD-24V V2 W/O AP W/SHRNK	1
Nº d'Article	Nº de Pièce	Description	Quantité
350	2301936	EXTRUSION BASE PD V2 *FRESHWATER*	1
352	2303932	MOTOR REST-RIGHT, 3 5/8"	1
	2303930	MOTOR REST-RIGHT, 3 1/4"	1
354	2303937	MOTOR REST-LEFT, 3 5/8"	1
	2303935	MOTOR REST-LEFT, 3 1/4"	1
356	2303430	SCREW-1/4-20 X 5/8-SELFTAP ZP *FRESHWATER*	9
358	2305110	PAD-PIVOT SUPT ZINC *FRESHWATER*	4
360	2305103	PIVOT PAD,559 FB DUROMETER 90A	2
362	2300500	PIN-LATCH (PD BASE) *FRESHWATER*	1
364	2300510	PIN-PIVOT (PD BASE) *FRESHWATER*	1
366	2013100	NUT-SPEED *FRESHWATER*	4
368	2303612	ROD-RELEASE (RT/AP) S/S	1
370	2322700	SPRING-TORSION	1
372	2303710	LEVER-RELEASE *FRESHWATER*	1
374	2300101	RELEASE-KNOB	1
376	2301700	SPACER-RELEASE LEVER-BRASS	1
378	2304067	CONTROL BOARD-24V V2 W/AP *AUTOPILOT*	1
	2304064	CONTROL BRD-12V V2 W/O AP	1
	2304066	CONTROL BOARD-12V V2 W/AP *AUTOPILOT*	1
	2304065	CONTROL BRD-24V V2 W/O AP	1
380	2303434	SCREW-#8-32 X 5/8 MACH PHCR SS	3
382	2090651	LEADWIRE,10 GA	1
	2266730	LEADWIRE w/PLUG,12/24V,PD,TRKR *TRACKER BOATS EXCLUSIVE*	1
384	2321310	STRAIN RELIEF	1
386	2323405	SCREW-1/4-20 X 1/2" MCH SS	1
388	2306570	HOUSING-CENTER, *FRESHWATER*	1
390	2074071	BATTERY METER, 24V *FRESHWATER*	1
	2074070	BATTERY METER, 12V *FRESHWATER*	1
392	2383428	SCREW-#4-24 X 5/8 HI-LO SS	1
394	2320710	TERMINAL-AMP (T-TAB)	1
396	2325401	SHRINK TUBE-3/4 ID X 2" W/ADHS	1
398	2305503	DECAL-BATTERY METER PD V2 FW *FRESHWATER*	1
400	2302935	STRAIN RELIEF-DR. HOUSING	1

## SCHÉMA DES PIÈCES ET LISTE DES PIÈCES

N° d'Article	N° de Pièce	Description	Quantité
406	2303970	SIDEPLATE-RIGHT PD MK *FRESHWATER*	1
	2303971	SIDEPLATE-RIGHT, PONTOON	1
408	2303975	SIDEPLATE-LEFT PD MK *FRESHWATER*	1
	2303976	SIDEPLATE-LEFT, PONTOON	1
410	2991284	COIL CORD W/STRAIN RLF,PD 60"	1
	2991280	COIL CRD W/STRN RLF, PD 48"/54"	1
	2991283	COIL CORD W/STRN RLF, PD 48"/54"	1
	2991285	COIL CORD W/STRN RLF, AP 48"/54" *AUTOPILOT*	1
	2991287	COIL CORD W/STRN RLF, AP 60" *AUTOPILOT*	1
412	2307313	BEAD-FERRITE	1
416	2305410	SHRINK TUBE-.315 OD X 2.25" *FRESHWATER*	3
420	2305403	SHRINK TUBE-.500 IDX1.0" ADHSV *FRESHWATER*	4
422	2375400	SHRINK TUBE-1/4OD X 1-3/4	1
424	2263462	SCREW-1/4-20 X 2" S/S PPH ADJT	6
426	2261713	WASHER-1/4 FLAT 18-8 SS	6
428	2263103	NUT-1/4-20 NYLOCK SS	6
430	2301720	WASHER-MOUNTING - RUBBER	6

# ACCESSOIRES RECOMMANDÉS

## CHARGEURS DE BATTERIE EMBARQUÉS ET PORTATIFS

**Ne plus acheter de nouvelles batteries et commencer à prendre soin de celles déjà en votre possession.**

Plusieurs chargeurs peuvent en fait endommager les batteries à la longue, pouvant entraîner une autonomie réduite et une durée de vie plus courte. Les chargeurs Minn Kota à commande numérique assurent une charge rapide pour une protection et une durée de vie prolongée.



MK212PC



MK210D



MK110P

## ANCRES POUR EAUX PEU PROFONDES TALON

Les ancrs Talon se déploient rapidement, ont une force de retenue plus élevée et sont plus silencieuses que tout autre ancre pour eaux peu profondes. Offerts en profondeurs allant jusqu'à 12 pi (3,66 m) et en options de couleurs vives, elles comportent plusieurs fonctionnalités et innovations uniques dans le domaine:



- Déploiement Vertical en Plusieurs Étapes
- Modes D'ancrage Pouvant être Sélectionnés par L'utilisateur
- 2x la Force d'ancrage
- Déploiement Rapide
- Descente/Montée Automatique
- Triple Protection Contre les Débris
- Amortisseur Automatique de Vague Intégré
- Dissipation de Bruit
- Réglages Polyvalents

## ACCESSOIRES MINN KOTA

Nous offrons un large éventail d'accessoires pour les propulseurs électriques, y compris:



- Un Disjoncteur de 60 A
- Des Supports de Montage
- Des Ensembles Stabilisateur
- Des Rallonges de Poignée
- Des connecteurs de batterie
- Bacs à Batterie
- Des fiches de connexion rapide

**Pour la liste complète des accessoires Minn Kota, veuillez visiter le site Web [minnkotamotors.com](http://minnkotamotors.com)**

**Suivez-nous:**    



[minnkotamotors.com](http://minnkotamotors.com)

Minn Kota Consumer & Technical Service  
Johnson Outdoors Marine Electronics, Inc.  
PO Box 8129  
Mankato, MN 56001

121 Power Drive  
Mankato, MN 56001  
Phone (800) 227-6433  
Fax (800) 527-4464



©2016 Johnson Outdoors Marine Electronics, Inc.  
All rights reserved.