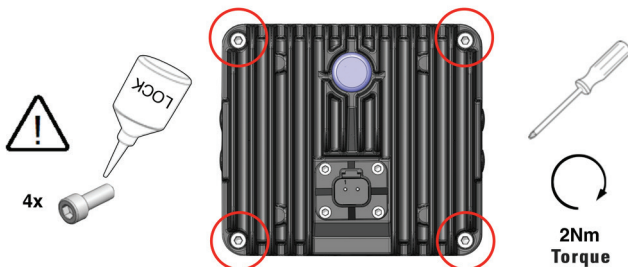
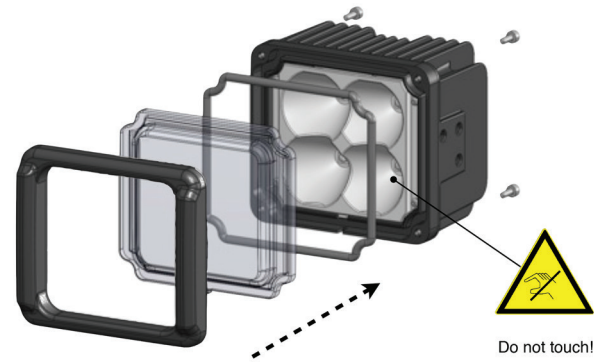
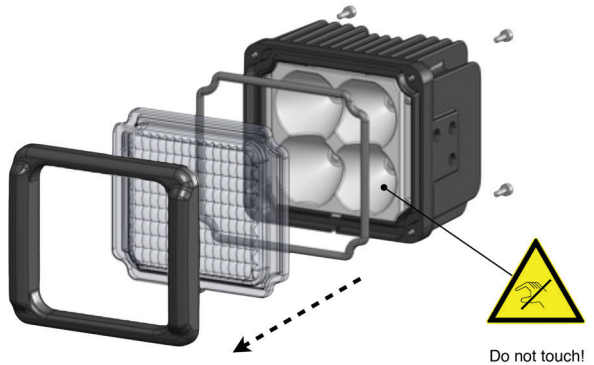
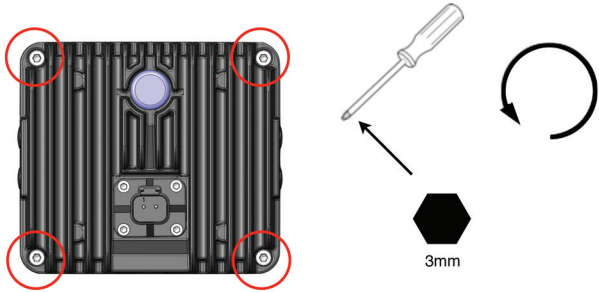


CHANGING OUTER LENS



FIVE YEAR LIMITED WARRANTY

Golight, Inc. warrants the GXL® against any deemed defects that are due to workmanship for parts or faulty materials, for five years from date of original purchase. This warranty to the GXL® does not cover damage resulting from unreasonable use or misuse, unreasonable maintenance or loss, or labor costs.

Warranty information may be filled out online at: <http://golight.com/support/product-registration/>

If the GXL® does fail to operate under warranted specification, Please call 1-308-278-3131 for a Return Goods Authorization number. After receiving an RGA#, send the light and all necessary accessories postage paid, plus \$9.95 for shipping and handling to Golight, Inc., Service Department, 37146 Old Hwy 17, Culbertson, NE 69024. No C.O.D.'s accepted. Only the above manufacturer is authorized to perform warranty repair or replace product.

Any consequential damages to person or property are excluded from this warranty. Some states do not allow the exclusion and limitation of incidental or consequential damages, therefore, the above limitations or exclusions may not apply to you. This warranty gives you specific legal rights and you may also have other rights.

IMPORTANT SAFETY INFORMATION

* This symbol is to alert you to important operating or servicing instructions that appear in your instructions. Always follow basic safety precautions when using this product to reduce the risk of injury, fire or electric shock.

* This light is for off road and utility use only. It is not designed for road use as a driving light.

GXL WORKLIGHT MODEL 4021

Congratulations

You are now the owner of one of the finest lighting products available today. Thank you for letting Golight® assist you in your lighting application needs.

We're proud of our products and the LED Xtreme™ Technology that we've developed to ensure our customers the most durable, versatile and powerful lights in the industry. Please read these instructions before using your new Golight® GXL® Worklight.



Golight Inc
37146 Old Hwy 17
Culbertson, NE 69024
800.557.0098 | 308.278.3131
www.golight.com | info@golight.com

INSTRUCTION GUIDE MODEL 4021

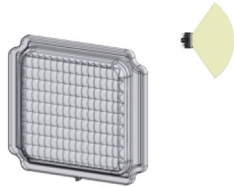
The GXL® is an LED, fixed-mount work light offering incredible intensity and durability in a small package. Utilizing the latest in LED, lens and reflective technology, the GXL® casts light where you need it.

Contents:

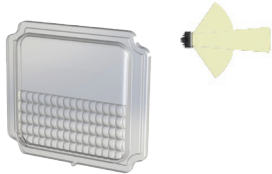
- A) Model 4021 Golight LED Work Light
- B) Bracket Block Pad
- C) Bracket Block
- D) Bracket Block Screws; 4x M6x16
- E) Screw Hole Plugs; 6x
- F) Stainless Steel Bracket
- G) Bracket Block Bolt; M8x60
- H) Bracket Block Spacers; 2x
- J) Bracket Block Bolt Washer
- K) Bracket Block Bolt Lock Nut
- L) Bracket Bolt Washer
- M) Bracket Mounting Bolt; M10x25
- N) Bracket Bolt Lock Nut
- O) 12" Wire Lead with DT Connector

Accessories:

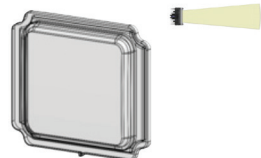
Standard Flood Lens Cover (Model #4082)



Hybrid Lens Cover (Model #4083)

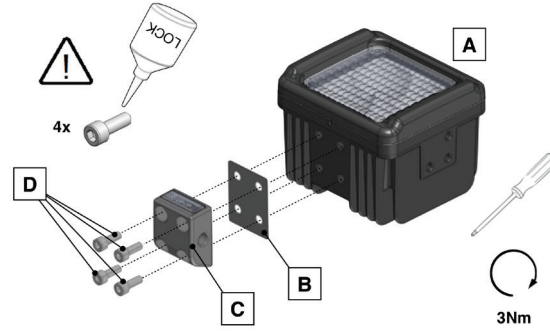


Spot Lens Cover (Model #4081)

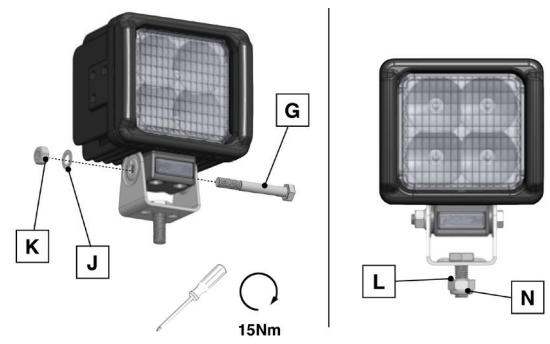
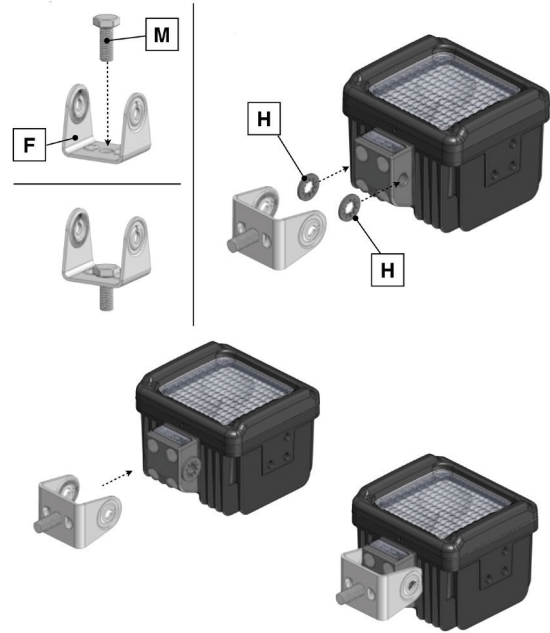


INSTALLATION INSTRUCTIONS

1) Install Bracket Block



2) Install Mounting Bracket



3) Install Screw Hole Plugs



4) Fully Assembled Unit - Drill 7/16" hole in mounting surface for bracket mounting bolt. May be installed upright or inverted

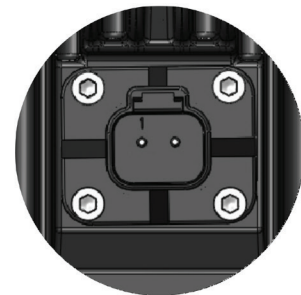
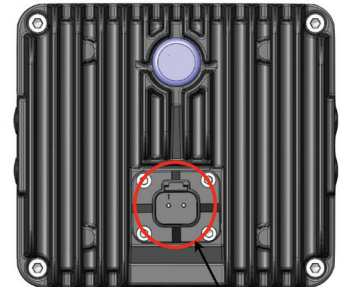


5) Install quick connect harness to back of work light. Connect +/- wire leads to switched circuit in the vehicle electrical system.

ELECTRICAL CONNECTION

Voltage Input Range:
9VDC-33VDC

AMP Draw:
4.2A @ 12V, 2.1A @ 24V



Connector:
Deutsch DT15-2P

Mating Connector:
Deutsch DT06-2S

Pin Assignment:
Pin 1 - 9V-33V (+)
Pin 2 - Ground (-)

