



samlexpower[®]

**Pure Sine Wave
Power Inverter**

SSW-350-12A

SSW-600-12A

SSW-1000-12A

SSW-1500-12A

SSW-2000-12A

**Owner's
Manual**

Please read this
manual **BEFORE**
installing your
inverter

OWNER'S MANUAL | Index

SECTION 1	
Important Safety Instructions	3
SECTION 2	
Design Features and Principle of Operation	5
SECTION 3	
Layout and Dimensions	7
SECTION 4	
Installation	10
SECTION 5	
Operation	15
SECTION 6	
Protections	18
SECTION 7	
Troubleshooting Guide	20
SECTION 8	
Fuse Replacement	22
SECTION 9	
Specifications	23
SECTION 10	
Warranty	24

Disclaimer of Liability

UNLESS SPECIFICALLY AGREED TO IN WRITING, SAMLEX AMERICA, INC.:

1. MAKES NO WARRANTY AS TO THE ACCURACY, SUFFICIENCY OR SUITABILITY OF ANY TECHNICAL OR OTHER INFORMATION PROVIDED IN ITS MANUALS OR OTHER DOCUMENTATION.
2. ASSUMES NO RESPONSIBILITY OR LIABILITY FOR LOSSES, DAMAGES, COSTS OR EXPENSES, WHETHER SPECIAL, DIRECT, INDIRECT, CONSEQUENTIAL OR INCIDENTAL, WHICH MIGHT ARISE OUT OF THE USE OF SUCH INFORMATION. THE USE OF ANY SUCH INFORMATION WILL BE ENTIRELY AT THE USERS RISK.

Samlex America reserves the right to revise this document and to periodically make changes to the content hereof without obligation or organization of such revisions or changes.

Copyright Notice/Notice of Copyright

Copyright © 2016 by Samlex America, Inc. All rights reserved. Permission to copy, distribute and/or modify this document is prohibited without express written permission by Samlex America, Inc.

SECTION 1 | Important Safety Instructions

1.1 THIS MANUAL CONTAINS IMPORTANT INFORMATION REGARDING SAFETY, OPERATION, MAINTENANCE AND STORAGE OF THIS PRODUCT. BEFORE USE, READ AND UNDERSTAND ALL CAUTIONS, WARNINGS, INSTRUCTIONS AND PRODUCT LABELS, PLUS YOUR VEHICLE'S BATTERY MANUFACTURER GUIDELINES. FAILURE TO DO SO COULD RESULT IN INJURY AND/OR PROPERTY DAMAGE.

1.2 To ensure reliable service, your power inverter must be installed and used properly. Please read the installation and operating instructions thoroughly prior to installation and use. Pay particular attention to the WARNING and CAUTION statements in this manual. The CAUTION statements advise against certain conditions and practices that may result in damage to your inverter. The WARNING statements identify conditions or practices that may result in personal injury. Read All Instructions Before Using This power inverter!

1.3 WARNINGS!

TO REDUCE THE RISK OF FIRE, ELECTRIC SHOCK, EXPLOSION OR INJURY

1. The AC output of the unit should never be connected directly to an Electrical Breaker Panel / Load Center which is also fed from the utility power / generator. Such a direct connection may result in parallel operation of the different power sources and AC power from the utility / generator will be fed back into the unit which will instantly damage the output section of the unit and may also pose a fire and safety hazard. If an Electrical Breaker Panel / Load Center is fed from this unit and this panel is also required to be fed from additional alternate AC sources, the AC power from all the AC sources (like the utility / generator / this inverter) should first be fed to an Automatic / Manual Selector Switch and the output of the Selector Switch should be connected to the Electrical Breaker Panel / Load Center. Samlex America, Inc. Automatic Transfer Switch Model No. STS-30 is recommended for this application.
2. Working with the unit may produce arcs or sparks. Thus, the unit should not be used in areas where there are flammable materials or gases requiring ignition protected equipment. These areas may include spaces containing gasoline-powered machinery, fuel tanks, battery compartments and engine compartments.
3. In SSW-350-12A and SSW-600-12A, the Neutral terminal of the two NEMA5-12R outlets is electrically isolated from its Ground terminal and also from the metal chassis of the inverter. Hence, the Neutral terminal will be at elevated voltage of around 66 VAC with respect to the Ground terminal and with respect to the metal chassis of the inverter. **DO NOT TOUCH THE NEUTRAL TERMINAL!**
4. In SSW-1000-12A, SSW-1500-12A and SSW-2000-12A, the Neutral terminals of the Dual NEMA5-20R GFCI AC outlets are bonded to their Ground terminals and also to the metal chassis of the inverter. Hence, the Neutral terminals of the outlets will be at 0V with respect to their Ground terminals and with respect to the metal chassis of the inverter.
5. Before working on an AC load connected to the inverter, switch OFF the inverter or, remove the power cord of the AC load from the inverter or from the multiple outlet power strip connected to the inverter. Switching OFF the AC load or the power strip disconnects only the "Line / Hot" line. However, the Neutral line remains connected. As indicated above, in SSW-350-12A and SSW-600-12A, the Neutral will be at 60V with respect to Ground/chassis. Hence, touching any section of the load connected to the Neutral will produce electrical shock!
6. Do not make any electrical connections or disconnections in areas designated as IGNITION PROTECTED. This includes 12 VDC cigarette plug connections, and terminal connections.

SECTION 1 | Important Safety Instructions

7. This is not a toy - keep away from children.
8. Do not insert any object into the ventilation slots or the fan opening(s).

1.4 CAUTION!

1. The metal chassis and the input Negative terminal of the inverter are internally connected to the Ground terminals of the AC outlets. **Hence, the input Negative terminal should be used as the grounding terminal.** Do not use with Positive Grounded Electrical Systems (the majority of modern automobiles, RVs, trucks and boats are Negative Grounded Electrical Systems).
2. Use specified fuse in the Positive supply connection within 7" of the Positive battery post. See Table 4.1 and Fig 4.2.
3. Observe correct polarity when connecting the DC input terminals of the inverter to the battery. Connect Positive of the battery to the Positive input connector of the inverter and the Negative of the battery to the Negative input terminal of the inverter. **Reverse polarity connection will result in a blown fuse and may cause permanent damage to the inverter. Damage due to reverse polarity is not covered under warranty.**
4. This inverter will not operate high wattage appliances that exceed the output power limit or the surge power limit.
5. Grounding the Neutral terminal of the AC outlet in SSW-350-12A and SSW-600-12A will shut down the inverter. Similarly, grounding the Neutral terminal of the GFCI outlet in SSW-1000, 1500 & 2000 will trip the GFCI. **Hence, do not connect the AC output to a Load Center / Distribution Panel where the Neutral is bonded to the Earth Ground.**
6. **Installation Environment**
 - The inverter should be installed indoor only in a well ventilated, cool, dry environment.
 - Do not expose to moisture, rain, snow or liquids of any type.
 - To reduce the risk of overheating and fire, do not obstruct the suction and discharge opening of the cooling fan(s).
 - To ensure proper ventilation, do not install in a low clearance compartment.
7. **Precautions When Working With Batteries**
 - Batteries contain very corrosive diluted Sulfuric Acid as electrolyte. Precautions should be taken to prevent contact with skin, eyes or clothing.
 - Batteries generate Hydrogen and Oxygen during charging resulting in evolution of explosive gas mixture. Care should be taken to ventilate the battery area and follow the battery manufacturer's recommendations.
 - Never smoke or allow a spark or flame near the batteries.
 - Use caution to reduce the risk of dropping a metal tool on the battery. It could spark or short circuit the battery or other electrical parts and could cause an explosion.
 - Remove metal items like rings, bracelets and watches when working with batteries. The batteries can produce a short circuit current high enough to weld a ring or the like to metal and, thus, cause severe burn.
 - If you need to remove a battery, always remove the ground (Negative) terminal from the battery first. Make sure that all the accessories are off so that you do not cause a spark.
8. This inverter is not tested for use with medical devices.

1.5 IMPORTANT WIRING INFORMATION

Substantial power loss and reduced battery operating time results from inverters installed with wires that are not sized correctly based on the length and the current required to be carried. Current flowing through a wire produces voltage drop along its length due to the resistance of the wire and due to

SECTION 1 | Important Safety Instructions

the value of the current carried through it. The resistance of the wire is inversely proportional to the cross-sectional area of the wire (designated in mm² or AWG) and directly proportional to its length i.e. thinner and longer wire has higher resistance and hence, produces higher voltage drop. Similarly, thicker and shorter wire has lower resistance and hence, produces lower voltage drop. Hence, symptoms of low DC input voltage / battery power can result from wires that are either excessively long or have an insufficient cross-sectional area (designated in mm² or AWG). **The wires should be sized based on (i) the maximum current they are required to carry based on the temperature rating of their insulation and (ii) the distance between the battery and the inverter to limit the voltage drop to 2% to 5%. Please refer to Table 4.1 for wire sizing.**

Wires are rated based on its insulation, temperature and operating environment. Please ensure that the wire insulation is of the appropriate type for the operating environment.

The installer/operator should be especially aware of the requirements to maintain secure, tight, water-resistant electrical connections and to provide for strain relief for DC wires and appliance wiring.

SECTION 2 | Design Features And Principle Of Operation

2.1 GENERAL

The inverter converts low voltage DC (Direct Current) from a battery or other DC power source to the standard nominal 115 volt AC (Alternating Current) household power.

2.2 DESIGN FEATURES

- High efficiency
- Compact size
- Low Idle current
- Soft Start Technology
- LCD Remote Control Model SSW-R1-12B (SSW-1000-12A, SSW-1500-12A and SSW-2000-12A only)
- USB Charging Port, 5V, 500mA (SSW-350-12A and SSW-600-12A only)

2.3 POWER RATINGS

The continuous power ratings of the models are as follows:

- SSW-350-12A - 350 Watts
- SSW-600-12A - 600 Watts
- SSW-1000-12A - 1000 Watts
- SSW-1500-12A - 1500 Watts
- SSW-2000-12A - 2000 Watts

2.4 PRINCIPLE OF OPERATION

The inverter converts power in two stages. The first stage is a DC to DC conversion process that raises the low voltage DC at the inverter input to high voltage DC of approximately 150 VDC. The second stage is the actual inverter stage that converts the high voltage DC into nominal 115 VAC, 60 Hz AC (RMS). The DC-to-DC converter stage uses modern high frequency power conversion techniques that have replaced the bulky transformers found in less technologically-advanced models. The inverter stage uses advanced power MOSFET transistors in a high frequency, full bridge configuration.

SECTION 2 | Design Features and Principle of Operation

2.5 THE OUTPUT WAVEFORM

The AC output waveform of the SSW-series inverter is known as "Pure Sine Wave" or "True Sine Wave". It is a waveform that has characteristics same as the sine wave shape of utility power (See Fig 2.1). Modified Sine Wave is also shown for comparison.

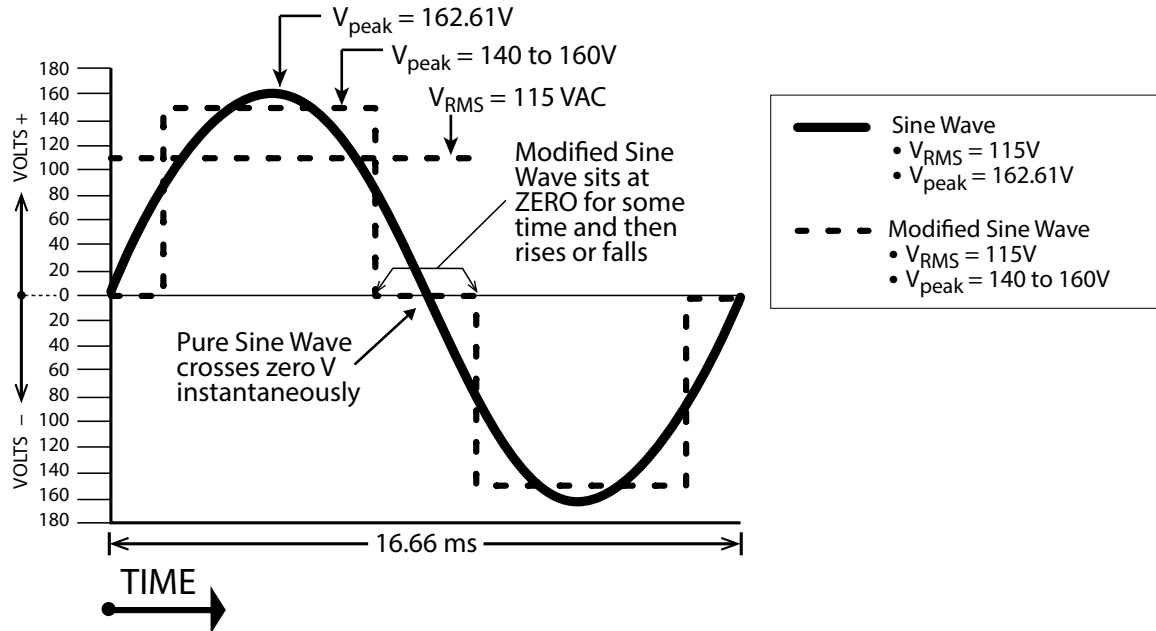


Fig 2.1 Pure and Modified Sine Waveforms for 115V, 60Hz

SECTION 3 | Layout and Dimensions

3.1 LAYOUT

3.1.1 SSW-350-12A, SSW-600-12A

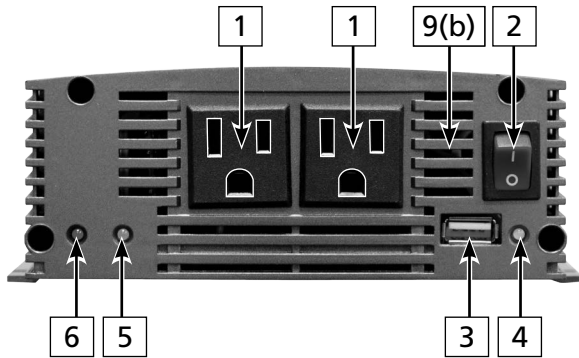


Fig 3.1.1 Front of the unit

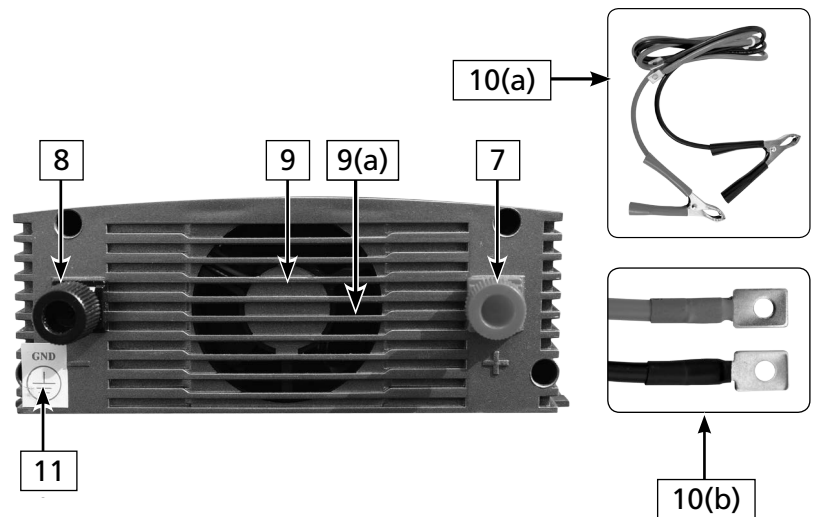


Fig 3.1.2 Back of the unit

Legend for Fig 3.1.1 and 3.1.2

1. AC Outlets: 2 x NEMA5-15R
2. ON/OFF Switch
3. USB Charging Port= + 5V, 500mA
4. Yellow LED: Will be ON during (i) Over temperature shutdown (ii) Alarm due to Low DC input voltage (iii) Shut down due to low DC input voltage and (iv) Shut down due to high DC input voltage
5. Green LED: will be ON when DC Section is operating normally
6. Red LED: Will be ON during (i) Shut down due to overload and (ii) Shutdown due to Ground fault in the load
7. Positive DC Input Connector: Thumb Screw - Size M4
8. Negative DC Input Connector: Thumb Screw - Size M4
9. Cooling fan [behind the fan grille 9(a)]
- 9(a). Ventilation Grille for fan (Air from fan (9) is discharged outwards)
- 9(b). Ventilation slots for air inlet for the cooling fan (9)
- 10(a). Cable set for temporary battery connection: 3 ft, 105°C rated Positive and Negative wires with flat rectangular terminal lugs(10b) for inverter side and battery clamps for battery side. Wire sizes: (i) AWG #12 for SSW-350-12A and (ii) AWG #8 for SSW-600-12A
- 10(b). Flat, rectangular terminal lugs on the cable set 10(a) for connection to DC input terminals on the inverter
11. Earth Ground symbol. The metal chassis of the inverter is internally bonded to the Negative DC input terminal (8) on the inverter or the battery Negative post on the battery Earth Ground.

SECTION 3 | Layout and Dimensions

3.1.2 SSW-1000-12A, SSW-1500-12A and SSW-2000-12A

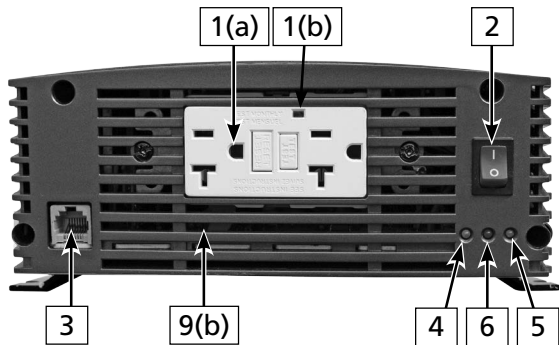


Fig 3.2.1 Front of the unit

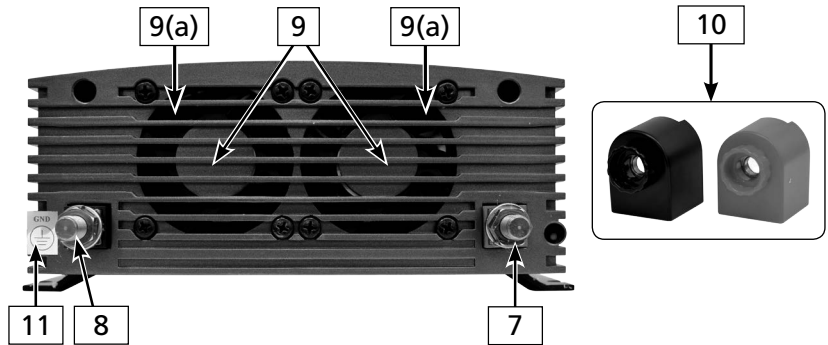


Fig 3.2.2 Back of the unit

Legend for Fig 3.2.1 and 3.2.2

- 1(a). AC Outlets: NEMA5-20R Duplex GFCI receptacles
- 1(b). Green indicator light on the GFCI receptacles. Will be ON when normal. Will be OFF when tripped
2. ON/OFF Switch
3. 8P8C Modular Jack (Also called RJ-45 Jack) for connecting Remote Control Model SSW-R1-12B
4. Yellow LED: Will be ON during (i) Over temperature shutdown (ii) Alarm due to Low DC input voltage (iii) Shut down due to low DC input voltage and (iv) Shut down due to high DC input voltage
5. Green LED: Will be ON when DC Section is operating normally
6. Red LED: Will be ON during (i) Shut down due to overload and (ii) Shut down due to Ground fault in the load.
7. Positive DC Input Connector: Stud and Nut – Size M9
8. Negative DC Input Connector: Stud and Nut – Size M9
9. Cooling fan [behind the fan grille 9(a)]
- 9(a). Ventilation grille for fan (Air from fans (9) is discharged outwards)
- 9(b). Ventilation slots for air inlet for the cooling fans (9)
10. Plastic covers with Thumb Nuts for protecting DC input terminals – Red for Positive and Black for Negative
11. Earth Ground symbol. The metal chassis of the inverter is internally bonded to the Negative DC input terminal (8). Connect the Negative DC input terminal (8) on the inverter or the battery Negative post on the battery to Earth Ground

SECTION 3 | Layout and Dimensions

3.2 DIMENSIONS

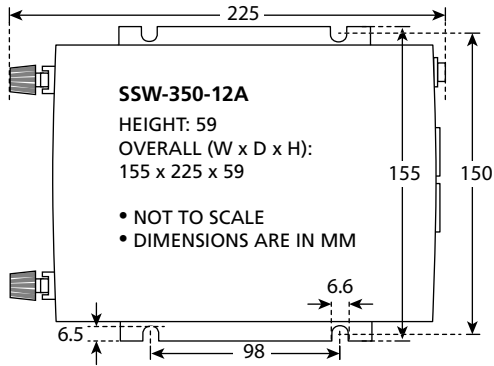


Fig. 3.3 Dimensions: SSW-350-12A

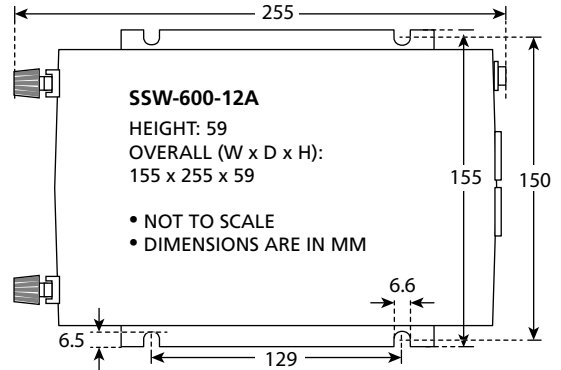


Fig. 4 Dimensions: SSW-600-12A

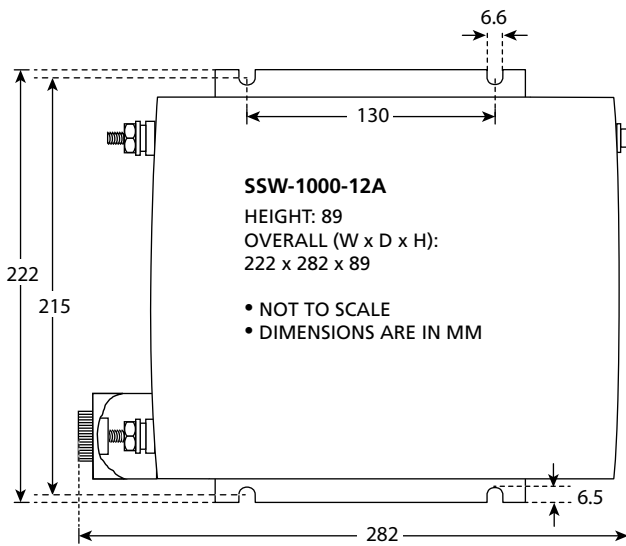


Fig. 3.5 Dimensions: SSW-1000-12A

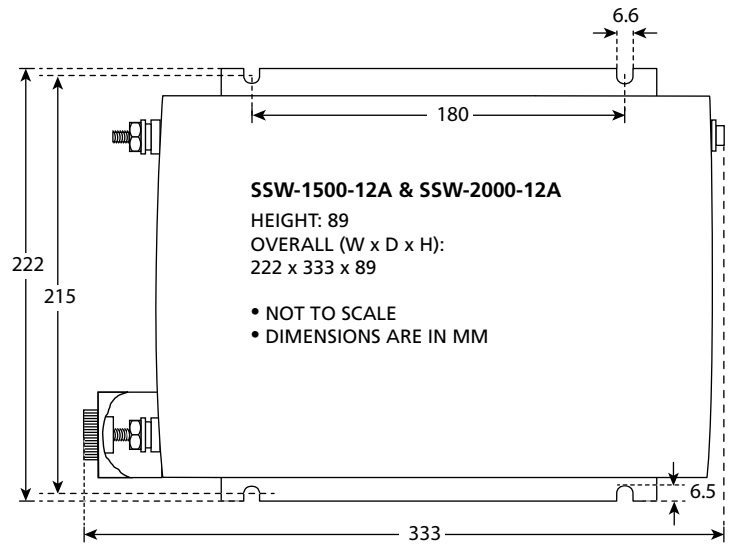


Fig. 3.6 Dimensions: SSW-1500-12A and SSW-2000-12A

SECTION 4 | Installation



WARNING!

1. Before commencing installation, please read the safety instructions explained in Section 1 titled "Important Safety Instructions".
2. It is recommended that the installation should be undertaken by a qualified, licensed / certified electrician.
3. Various recommendations made in this manual on installation will be superseded by the National / Local Electrical Codes related to the location of the unit and the specific application.

4.1 LOCATION OF INSTALLATION

Please ensure that the following requirements are met:

Working Environment: Indoor use.

Cool: Heat is the worst enemy of electronic equipment. Hence, please ensure that the unit is installed in a cool area that is also protected against heating effects of direct exposure to the sun or to the heat generated by other adjacent heat generating devices.

Well ventilated: The unit is cooled by convection and by forced air-cooling by 2-speed, load controlled fan(s) (9 in Figs 3.1.2 & 3.2.2). SSW-350 and 600 1 fan and SSW-1000, 1500 and 2000 have 2 fans. The fan(s) will run as soon as the unit is switched ON – at slow speed from no load/to loads up to 10% of the power rating of the inverter and at full speed thereafter. The fan(s) draws cool air from air intake openings in the front (9(b) in Figs 3.1.1 and 3.2.1) and discharges hot air through the exhaust openings next to the fan (9(a) in Figs 3.1.2 and 3.2.2). To avoid shut down of the inverter due to over temperature, do not cover or block these suction / exhaust openings or install the unit in an area with limited airflow. Keep a minimum clearance of 10" around the unit to provide adequate ventilation. If installed in an enclosure, openings must be provided in the enclosure, directly opposite to the air-suction and air-exhaust openings of the inverter.

Dry: There should be no risk of condensation, water or any other liquid that can enter or fall on the unit.

Clean: The area should be free of dust and fumes. Ensure that there are no insects or rodents. They may enter the unit and block the ventilation openings or short circuit electrical circuits inside the unit.

Protection against fire hazard: The unit is not ignition protected and should not be located under any circumstance in an area that contains highly flammable liquids like gasoline or propane as in an engine compartment with gasoline-fueled engines. Do not keep any flammable / combustible material (i.e., paper, cloth, plastic, etc.) near the unit that may be ignited by heat, sparks or flames.

Closeness to the battery bank: Locate the unit as close to the battery bank as possible to prevent excessive voltage drop in the battery cables and consequent power loss and reduced efficiency. However, the unit should not be installed in the same compartment as the batteries (flooded or wet cell) or mounted where it will be exposed to corrosive acid fumes and flammable Oxygen and Hydrogen gases produced when the batteries are charged. The corrosive fumes will corrode and damage the unit and if the gases are not ventilated but allowed to collect, they could ignite and cause an explosion.

Accessibility: Do not block access to the front panel. Also, allow enough room to access the AC receptacles and DC wiring terminals and connections, as they will need to be checked and tightened periodically.

Preventing Radio Frequency Interference (RFI): The unit uses high power switching circuits that generate RFI. This RFI is limited to the required standards. Locate any electronic equipment susceptible to radio frequency and electromagnetic interference as far away from the inverter as possible.

SECTION 4 | Installation

4.2 MOUNTING

Please refer to Figs 3.3 to 3.6 for dimensions and mounting details.

The inverter has four mounting slots that allow the unit to be fastened against a bulkhead, floor, wall or other flat surface. Ideally, the mounting surface should be cool to the touch.

It is more electrically efficient to use longer AC wiring than DC wiring, so install the inverter as close as possible to the 12 VDC power source.

The inverter can be operated in any position, however, if it is to be mounted on a wall, mount it horizontally (Fig 4.1a) so that indicators, switches, outlets and terminal blocks located on the front panel are visible and accessible. Do not mount on wall in positions shown in Figs. 4(b) & 4(c) because small metal objects may fall into the unit through the ventilation slots and cause electrical short circuit.

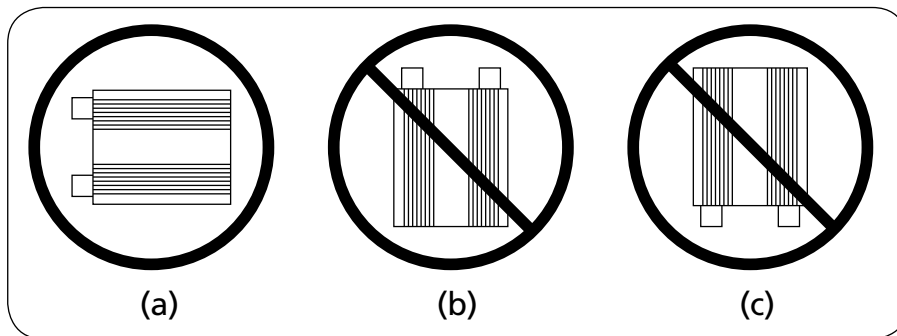


Fig. 3 Mounting arrangement on wall



CAUTION!

The power inverter must be connected only to batteries with a nominal output voltage of 12V. The unit will not operate from a 6 Volt battery, and will sustain **permanent damage** if connected to a 24V battery.



CAUTION!

Loose connectors may cause overheated wires and melted insulation. Check to make sure you have not reversed the polarity. Reverse polarity connection will result in a blown fuse and may cause **permanent damage** to the inverter. **Damage due to reverse polarity is not covered by warranty.**

4.3 BATTERY / DC POWER SOURCE REQUIREMENTS

The battery / DC power source must provide $>11.0 \pm 0.3V$ and $< 15.3 \pm 0.3V$ DC and must be able to supply the necessary current to operate the load. The power source may be a battery or a well-regulated DC power supply. To obtain a rough estimate of the current (in Amperes) the power source must deliver, simply divide the power consumption of the load (in Watts AC) by 10.

Example: If a load is rated at 100 Watts AC, the DC power source must be able to deliver: $100 / 10 = 10A$.

The inverter will provide you nominal 115 VAC when powered by a 12 VDC source such as is found in a vehicle or multiple battery configurations as shown in Fig 4.2. **This manual does not describe all of the possible types of battery configurations, battery charging configurations and battery isolation configurations.**

SECTION 4 | Installation

For normal operation of the inverter, the DC power source must provide $>11.0 \pm 0.3V$ and $< 15.3 \pm 0.3V$ and the required current. This DC power source must be a well-regulated DC power supply or alternator and deep cycle battery system typically found in vehicles and marine crafts. The DC power source may also be two or more 12 volt batteries connected in parallel. On larger applications, the power source may be several batteries connected in parallel as shown in Fig 4.2.

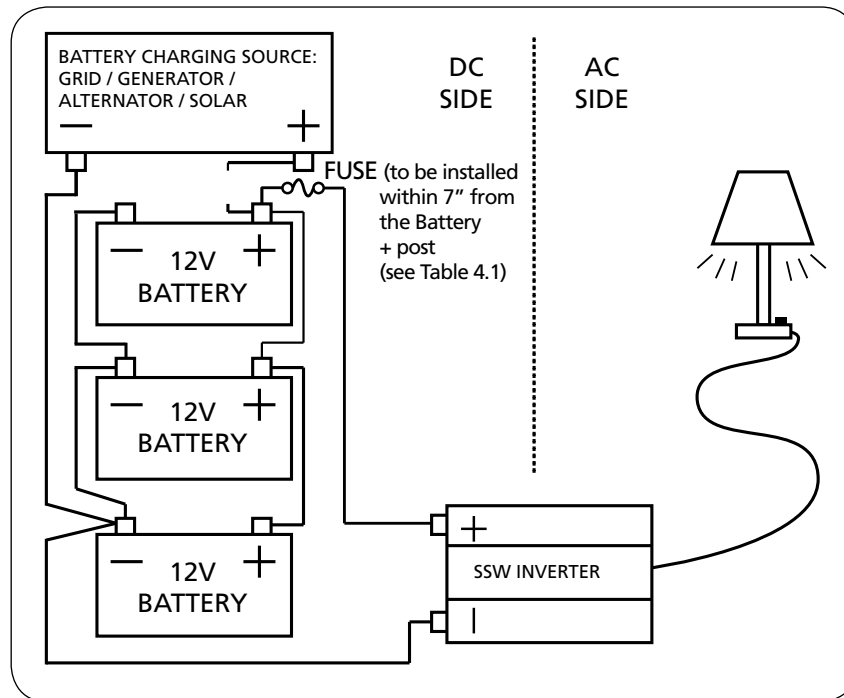


Fig 4.2 Connecting to a 12V Battery Source

4.4 DC INPUT SUPPLY FROM 12V BATTERY OR FROM OTHER 12V DC POWER SOURCE



WARNING!

It is mandatory to install appropriate size of external DC Fuse as close to the Battery Positive Post as possible, preferably within 7 inches to protect against fire hazard due to short circuit along the battery cable run (See Fig 4.2). A battery is an unlimited current source that can supply thousands of Amperes of current under short circuit conditions. If a short circuit occurs in the cable run at a point between the battery and the inverter, the section of the cable from the battery to the point of short circuit will be fed with thousands of Amperes of current, the section of the cable will overheat / melt and is likely to cause fire. It is, therefore, recommended that the fuse / fuse assembly should have Ampere Interrupting Capacity (AIC) of at least 10,000 A. Class-T Fuse / Fuse Holder made by various manufacturers or Marine Rated Battery Fuse (MRBF) made by Eaton Bussmann and distributed by Samlex America / Blue Sea Systems may be considered.

Please note that internal DC side fuses have been provided to protect against over current in the internal DC input circuitry. **These internal fuses will NOT blow due to external short circuit in the battery cable run.**

SECTION 4 | Installation

Table 4.1 provides details of Battery Cables and DC Fuses for connecting the battery to the DC input terminals of the inverter (7, 8 in Figs 3.1.2 and 3.2.2)

Table 4.1 Sizing of Cables and Fuses for DC Input							
Model No. (1)	Rated DC Input Current (2)	NEC Ampacity (3)	Ampere Rating of the Fuse (Note 1) (4)	Part. No. of MRBF Fuse / Fuse Assembly		Cable Size for up to 4 ft from Battery to Inverter (Note 2) (7)	Cable Size for up to 6 ft from Battery to Inverter (Note 2) (8)
				By Blue Sea Systems (5)	By Samlex America (6)		
SSW-350-12A	35A	43.75A	50A	Fuse Block: 5191	-	AWG#8	AWG#6
				Fuse: 5177			
SSW-600-12A	60A	75A	80A	Fuse Block: 5191	-	AWG#6	AWG#4
				Fuse: 5181			
SSW-1000-12A	100A	125A	150A	Fuse Block: 5191	-	AWG#4	AWG#2
				Fuse: 5185			
SSW-1500-12A	150A	187.5A	200A	-	DC-FA-200	AWG#2	AWG#1/0
SSW-2000-12A	200A	250A	300A	-	DC-FA-300	AWG#2/0 or 2X AWG#2	AWG#2/0 or 2XAWG#2

Notes for Table 4.1

1. Ampere ratings of the fuse (Column 4) is based on the NEC Ampacity (Column 3) = 1.25 times the rated DC input current of the inverter (Column 2).
2. Cable sizing (Columns 7 and 8) is based on: (i) the Ampere rating of the fuse (Column 4) or 2% voltage drop, whichever is thicker (ii) Ambient temperature of 30°C (iii) Wire insulation rated at 105°C (iv) Cables routed in free air.

4.5 DC INPUT TERMINALS

The following DC input terminals have been provided:

- a) **SSW-350-12A and SSW-600-12A:** Thumb screw – size M4 (7,8 in Fig 3.1.2). Accepts customized Flat Rectangular Terminal Lugs (10b, Fig 3.1.2)
- b) **SSW-1000-12A, SSW-1500-12A and SSW-2000-12A:** Stud and nut – size M9 (7, 8 in Fig 3.2.2). Accepts Ring / Tongue Terminal Lugs for M9 or 3/8" stud size

4.6 CABLE TERMINATION FOR DC INPUT CONNECTORS

SSW-350-12A and SSW-600-12A

SSW-350-12A: The inverter side of the DC input cable has to be terminated with a customized, Flat Rectangular Terminal Lug (10b, Fig 3.1.2). The terminal lug fits in the rectangular slot in the DC input terminal (7, 8 in Fig 3.1.2) and is tightened using M4 Thumb Screw. For permanent installation, use the terminal lugs (10b in Fig 3.1.2) that come with the Cable Set provided with the unit (Please see Section 4.7). For this, cut the cable around 2" from the lug and splice it to the appropriate cable to be used for permanent installation (Cable sizing as per Table 4.1). Use appropriate Butt Splice Connector.

SSW-600-12A: The inverter side of the DC input cable has to be terminated with a customized, Flat Rectangular Terminal Lug (10b, Fig 3.1.2). The terminal lug fits in the rectangular slot in the DC input terminal (7, 8 in Fig 3.1.2) and is tightened using M4 Thumb Screw. For permanent installation, use the terminal lugs (10b in Fig 3.1.2) that come with the Cable Set provided with the unit (Please see Section

SECTION 4 | Installation

4.7). For this, cut the cable around 2" from the lug and splice it to the appropriate cable to be used for permanent installation (Cable sizing as per Table 4.1). Use appropriate Butt Splice Connector.

SSW-1000-12A, SSW-1500-12A and SSW-2000-12A

The inverter side of the DC input cable has to be terminated with a Ring / Tongue type of terminal lug to fit M9 or 3/8" size of stud on the DC Input terminal (7, 8 in Fig 3.2.2). The terminal lug may be crimped / soldered.

4.7 CABLE SETS WITH BATTERY CLAMPS FOR TEMPORARY INSTALLATION OF SSW-350-12A AND SSW-600-12A

For convenience of portable use of the lower powered Models SSW-350-12A and SSW-600-12A during temporary, stationary applications, the following 2 sets of 3 ft, 105°C rated battery cables have been provided (10a in Fig 3.1.2):

- a) **For SSW-350-12A:** AWG# 12 cable with Flat Rectangular Terminal Lug (10b in Fig 3.1.2) for inverter side and Battery Clamps for battery side
- b) **For SSW-600-12A:** AWG# 8 cable with Flat Rectangular Terminal Lug (10b in Fig 3.1.2) for inverter side and Battery Clamps for battery side.



WARNING!

The above cable sets should be used **ONLY** for temporary / stationary applications for low power AC loads like portable audio / cell phone charger / laptop etc as the battery clamps may not provide a very firm battery connection especially in non-stationary environment. **For safe and permanent application, please use wire sizing and fuses recommended in Table 4.1.**

4.8 MAKING DC SIDE CONNECTIONS

1. Ensure that appropriate cable size is used as per columns 7 and 8 of Table 4.1. Cable terminal lugs should be properly crimped / soldered at the bare ends of the cables for secure connections (Please refer to Section 4.6 for details).
2. Ensure that the bare Positive and Negative terminals of SSW-1000/1500/2000 (Fig 3.2.2) are protected using plastic covers with Thumb Nuts (10 in Fig 3.2).
3. Ensure that the inverter's power switch is turned OFF and that no flammable fumes are present.
4. Identify the Positive (+) and Negative (-) terminals of the 12V battery or the other 12V DC source.
5. Install a fuse holder close to the Positive (+) terminal of the battery (or other DC source), preferably within 7" of the terminal (see Fig 4.2). When Marine Rated Battery Fuse (MRBF) and associated Fuse Block recommended at column 5 of Table 4.1 are used, the fuse will be installed on top of the battery Positive post/stud.
6. Insert a suitable fuse in the fuse holder. For fuse sizes, please refer to column 4 of Table 4.1.
7. Check to be sure that all connections are secure and tight.
8. Test the inverter by turning it on and plugging in a 100 Watt lamp or equipment.
9. If the inverter does not operate properly, then refer to Section 7, Troubleshooting of this manual.



CAUTION!

Loose connectors may cause overheated wires and melted insulation.

SECTION 4 | Installation

4.9 REMOTE CONTROL

Remote Control Model No. SSW-R1-12B has been provided only for Model SSW-1000-12A, SSW-1500-12A and SSW-2000-12A. Please refer to separate manual for the above remote.



CAUTION!

When wiring Remote Control SSW-R1-12B, the ON/OFF Switch on the inverter (2, Fig 3.1.1 and 3.2.1) should be in OFF position. If this switch is left in ON condition and the Remote Control is switched OFF, using the ON/OFF Button on the Remote control, the inverter will not switch OFF completely. This will result in draining of the battery due to (i) self consumption of the inverter and (ii) continuous running of the cooling fan(s) at slow speed.

4.10 USB CHARGING PORT

Models SSW-350-12A and SSW-600-12A are provided with USB Charging Port (3, Fig 3.1.1).

This port can be used for charging batteries in USB compatible personal devices like cell phones, etc. The port is rated at 5V, 500mA.

SECTION 5 | Operation

5.1 SWITCHING ON AND SWITCHING OFF ON LOAD

Please ensure that the following procedure is used for switching ON and switching OFF the inverter when a load is already connected to the inverter:

Switching ON

1. Switch OFF the load connected to the inverter
2. Switch ON the inverter
3. Wait for a few seconds
4. Switch ON the load

Switching OFF

1. Switch OFF the load connected to the inverter
2. Switch OFF the inverter

5.2 CONNECTING LOADS

1. Make sure that the single load or the combined load requirement of your equipment does not exceed the inverter's output rating.
2. Switch OFF the inverter
3. Switch OFF the load
4. Plug the cord(s) from the load(s) into the AC receptacle(s) of the inverter
5. Switch on the inverter. Wait for a few seconds
6. The green LED indicator will be lighted to indicate that the inverter is functioning
7. Switch on the load(s)

The inverter is engineered to be connected directly to standard electrical and electronic equipment in the manner described above. **Do not connect the power inverter to household or RV AC distribution wiring. Do not connect the power inverter to any AC load circuit in which the Neutral conductor is connected to Ground (Earth) or to the Negative of the DC (battery) source.**

SECTION 5 | Operation



WARNING!

Do not connect directly to AC distribution wiring. This inverter is NOT grid interactive.

5.3 OPERATING ENVIRONMENT

For best operating results, the inverter should be placed on flat surface, such as the ground, car floor, or other solid surface. The inverter should only be used in locations that meet the following criteria:

DRY

Do not allow water and/or other liquids to come into contact with the power inverter. In all marine applications, do not install the inverter below or near the waterline and keep the inverter away from moisture or water.

COOL

Ambient air temperature should be between 32°F (0°C) non-condensing, and 105°F (40°C). Do not place the inverter on or near a heating vent or any piece of equipment which is generating heat above room temperature. Keep the inverter away from direct sunlight, if at all possible.

VENTILATED - BY COOLING FAN(S)

Cooled by 2-speed, load controlled fan(s) (9 in Fig 3.1.2 and 3.2.2). SSW-350 & 600 have 1 fan and SSW-1000, 1500 & 2000 have 2 fans. The fan(s) will run as soon as the unit is switched ON – at slow speed from no load to loads up to 10% of the rated power of the inverter and at full speed thereafter. Keep the area surrounding the inverter clear to ensure free air circulation around the unit. Do not place items on or over the inverter during operation. An additional external fan is helpful if the inverter is operating at maximum power outputs for extended periods of time. The unit will shut down if the internal temperature of a hot spot exceeds the specified limit. The unit will remain latched in shut down condition and will require manual reset by switching the unit OFF and ON again after the unit has cooled down. Refer to Section 6.1 and 7 for details of symptoms and remedies.

SAFE - Do not use the inverter near flammable materials or in any locations that may accumulate flammable fumes or gases.

5.4 RATED VERSUS ACTUAL CURRENT DRAW OF EQUIPMENT

Most electrical tools, appliances and audio/video equipment have labels that indicate the power consumption in Amps or Watts. Be sure that the power consumption of the item(s) you wish to operate is less than inverter's power. (If the power consumption is rated in Amps AC, simply multiply by the AC Volts (115) to determine the approximate Wattage). The inverter will shut down if it is overloaded. The overload must be removed before the inverter will restart. Resistive loads are the easiest for the inverter to run. However, larger resistive loads, such as electric stoves or heaters, usually require more wattage than the inverter can deliver. Inductive loads, such as TV's and stereos, etc. require more current to operate than do resistive loads of the same wattage rating. Induction motors, as well as some televisions, may require 2 to 6 times their wattage rating to start up. The most demanding in this category are those that start under load, such as compressors and pumps. To restart the unit after a shutdown due to overloading, remove the overload if necessary, turn the power switch OFF, **wait for at least 3 minutes** and then switch ON again (Refer to Section 6.4 and 7 for more details regarding overload symptoms and protections).

5.5 SIZING CHART FOR TYPICAL LOADS THAT REQUIRE HIGH STARTING SURGE

The manufacturers' specifications of the appliances and devices indicate only the running power required.

The surge power required by some specific types of devices has to be checked with the manufacturer, actually tested or guessed at best.

SECTION 5 | Operation

Table 5.1 lists some common loads that require high surge power on start up. A “Sizing Factor” has been recommended against each which is a Multiplication Factor to be applied to the rated running Watt rating of the load to arrive at the continuous power rating of the inverter (Multiply the running Watts of the device / appliance by the Sizing Factor).

Table 5.1 Sizing of Inverter for Loads with Starting Surge	
Type of Device or Appliance	Sizing Factor
Air conditioner	5
Refrigerator / Freezer (Compressor based)	5
Air Compressor	4
Sump Pump / Well Pump / Submersible Pump	3
Dishwasher	3
Clothes Washer	3
Microwave (In cases where the rated output power is the cooking power)	2
Furnace Fan	3
Industrial Motor	3
Portable Kerosene / Diesel Fuel Heater	3
Circular Saw	3
Bench Grinder	3
Incandescent / Halogen / Quartz Lamps	3
Laser Printer / Other Devices using Infrared Quartz Halogen Heaters	4
Switched Mode Power Supplies	2
Photographic Strobe / Flash Lights (with respect to its Watt Sec rating)	4*

* In the case of photographic strobe / flash unit, the RMS surge power of the inverter should be more than 4 times the Watt Sec rating of the unit.

5.6 DETERMINING BATTERY SIZE

The power inverter will require DEEP CYCLE Lead Acid Batteries of appropriate capacity. The automotive SLI (Starting/lighting/Ignition) battery is not designed for repeated deep discharges. The SLI battery may not supply enough energy and its service life may be reduced.

To determine the minimum battery size that you will need to operate appliances, follow these steps:

1. Determine the AC wattage of each appliance and / or tool you will need to simultaneously operate from the inverter. To do this, read the labels on the equipment to be operated. Usually, power consumption is shown in Watts. If it is shown in Amps, multiply by 115 to determine the AC wattage.
2. For each appliance, estimate the number of hours the appliance will be in use between battery recharges.
3. For each appliance, determine the Watt-Hours of energy required by multiplying the AC wattage by the number of hours of use.
4. Add the Watt-Hours of energy for each appliance to get the total Watt-Hours of energy for all appliances to be used.
5. Divide the total Watt-Hours of energy on the AC side by 10 to get the total Ampere-Hour of energy on the 12 VDC side to support the operation of the appliances.
6. The Ampere-Hour (Ah) capacity of the battery should be 2 times the total Ampere-Hour energy required on the 12 VDC side to support the operation of the devices (as calculated at step 5 above). Two times factor is necessary because batteries are normally not discharged below 50% capacity.

SECTION 5 | Operation

To get an estimate of the current (in Amps) that the battery is delivering to power a particular AC side load, divide the load's AC consumption power (in Watts) by (10).

Keep in mind that most appliances are not operating for long periods of time. For example, a typical home-use coffee maker draws 500 Watts during its brew time of 5 minutes, but it maintains the temperature of the pot at about 100 Watts. Typical use of a microwave is only for a few minutes, sometimes at low power. Similarly, refrigerator compressor does not remain ON at full rated power at all times but switches ON and OFF based on its thermostat setting, ambient temperature, frequency of opening/closing and the temperature of food item(s) when first stored. As a Rule of Thumb, its operating Duty Cycle [ON Time ÷ (ON Time + OFF Time)] is around 30%. Hence, a refrigerator rated at say 100W will draw Watt-Hour Energy of 720 Watt Hour in a 24 Hour cycle [(100W x 24Hrs) x 30% = 720W]. Some exceptions to brief operating times are TVs, computers etc.

In most instances, the inverter can be left connected to the battery when not in use. However, make sure that the inverter is switched OFF using the ON/OFF Switch (2 in Fig 3.1.1 and 3.2.1) or using the ON/OFF Button on the Remote Control Model SSW-R1-12B (Section 4.9). This will prevent unnecessary drain on the batteries due to self consumption and operation of cooling fan(s).

Battery performance drops in low temperature environment. Higher capacity batteries should be installed if the environmental temperature is below 20°C.

NOTE: Please see detailed symptoms, causes and remedies in the Troubleshooting Guide at Section 7.

SECTION 6 | Protections

6.1 OVER TEMPERATURE PROTECTION

The unit is cooled by 2-speed fan(s) (9 in Fig 3.1.2 and 3.2.2). The fan(s) will run at slower speed from the time the unit is switched till around 10% of rated power and at full speed thereafter. In case the fan(s) fails or if the cooling is inadequate due to higher ambient temperature or restricted air flow, the temperature inside the inverter will rise. Temperature rise is sensed at one of the DC side Mosfets. If this temperature exceeds 90-100°C, the AC output will be switched OFF. The inverter will be latched in OFF condition till it is manually reset by switching OFF the ON/OFF switching, waiting for 15 min for the unit to cool down and switching ON again.

Refer to Section 7 - Troubleshooting Guide for more details of symptoms, causes and remedies related to this protection.

6.2 LOW BATTERY VOLTAGE PROTECTION

This condition is not harmful to the inverter but could reduce life of the batteries. The inverter automatically shuts down when input voltage drops to $10.5V \pm 0.3V$. Auto-reset at $11.5 \pm 0.2V$.

Refer to Section 7 - Troubleshooting Guide for more details of symptoms, causes and remedies related to this protection.

6.3 OVER VOLTAGE PROTECTION

The inverter will automatically shut down when the input voltage exceeds $15.3V \pm 0.3V$. The unit will reset automatically when the voltage drops to $14.9 \pm 0.2V$. Input voltage exceeding 16V could damage the inverter.

Refer to Section 7 - Troubleshooting Guide for more details of symptoms, causes and remedies related to this protection.

SECTION 6 | Protections

6.4 OVERLOAD PROTECTION

The inverter will automatically shut down when the continuous draw exceeds rated Watts. It will be latched in shut down condition and will require manual reset by switching OFF the ON/OFF Switch (2, Figs 3.1.1 and 3.2.1), waiting for 3 minutes and switching ON again (internal latching circuit does not de-energize immediately after Switching OFF). SSW-1000/1500/2000 cannot be reset by using the ON/OFF Push Button on the Remote Control SSW-R1-12B. Manual reset will be required using the ON/OFF Switch on the inverter (2, Figs 3.1.1 and 3.2.1) as described above.

Refer to Section 7 - Troubleshooting Guide for more details of symptoms, causes and remedies related to this protection.

6.5 SHORT CIRCUIT PROTECTION

This protection is similar to overload protection described at subsection 6.4 above.

6.6 GROUND FAULT PROTECTION

Protection has been provided to shut down the inverter (in SSW-350 & 600) or trip the GFCI (in SSW-1000, 1500 & 2000) in case the chassis of the AC load becomes live due to leakage from live portion(s) inside the load to the chassis of the load. SSW-350 & 600 will shut down immediately if leakage is more than the maximum allowance of 5mA. Reset procedure for SSW-350/600 will be same as at subsection 6.4 above.

In SSW-1000, 1500 and 2000, the GFCI receptacle will trip and interrupt AC power to the load in case current $> 5\text{mA}$ leaks to Earth Ground when a person touches the live chassis of the load. Please note that although the GFCI will trip, the inverter will not shut down and AC power will be available by re-setting the GFCI.

Refer to Section 7 - Troubleshooting Guide for more details of symptoms, causes and remedies related to this protection.

6.7 LOW INPUT VOLTAGE ALARM

An alarm will sound when the voltage at the input terminals of the inverter drops to $11.0\text{V} \pm 0.3\text{V}$. This is an indication that either the battery terminal voltage has dropped due to its discharged condition and needs to be re-charged OR there is an excessive voltage drop across the wires connecting the inverter to the battery (due to use of thinner and longer length of wires that will produce higher voltage drop at higher loads OR due to loose connections). The user should stop operation of the load at this time since the inverter will shut down automatically shortly thereafter, when the input voltage at the inverter further drops to 10.5 ± 0.3 Volts. In case the alarm is due to the discharged condition of the battery, start your engine to recharge the battery / use an appropriate battery charger.

The alarm resets automatically when the DC input voltage rises to $11.5 \pm 0.2\text{V}$.

Refer to Section 7 - Troubleshooting Guide for more details of symptoms, causes and remedies related to this protection.

NOTE: It is normal for the alarm to sound while the unit is being connected to or disconnected from the power source. This is not indicative of a problem.

SECTION 7 | Troubleshooting Guide

TROUBLE / SYMPTOMS	POSSIBLE CAUSE(S)	SUGGESTED REMEDIES
<p>NO AC OUTPUT</p> <p>On the Inverter</p> <ul style="list-style-type: none"> Green LED on front panel is ON Yellow LED on front panel of the inverter for "Input Fault" is ON Red LED is OFF There is no buzzer alarm <p>On Remote Control SSW-R1-12B (For SSW-1000-1500-2000-12A)</p> <ul style="list-style-type: none"> DC input voltage is being displayed Power Bar Graph is OFF Message "Input Fault" is flashing 	<p>Over Temperature Shutdown</p> <p>In case the fan fails or if the cooling is inadequate due to higher ambient temperature or restricted airflow, the temperature inside the inverter will start rising. Temperature rise is sensed at one of the DC side Mosfets. If this temperature exceeds 90C to 100C, the AC output will be switched OFF.</p>	<ol style="list-style-type: none"> The inverter will remain latched in this shutdown condition and will be required to be reset manually by switching OFF, waiting for 15 minutes and switching ON again. Before using the inverter again, please ensure that the cause of over temperature has been removed
<p>NO AC OUTPUT</p> <p>On the Inverter</p> <ul style="list-style-type: none"> Green LED, Yellow LED & Red LED on front panel are OFF There is no buzzer alarm <p>On Remote Control SSW-R1-12B (For SSW-1000-1500-2000-12A)</p> <p>Remote Control display is OFF and cannot be switched ON</p>	<p>No activity due to loss of DC input power to the inverter</p> <ol style="list-style-type: none"> If there is no voltage at the DC input terminals: <ul style="list-style-type: none"> Battery is dead External DC input fuse is blown Loose connection along the circuit from the battery to the DC input terminals If there is voltage at the DC input terminals: <ul style="list-style-type: none"> Internal DC input fuses have blown 	<ol style="list-style-type: none"> Check DC side wire connections and fuses OR contact Technical Support
<p>NO AC OUTPUT</p> <p>On the Inverter</p> <ul style="list-style-type: none"> Green LED is OFF in SSW-350 and 600 Green LED is ON in SSW-1000, 1500 and 2000 Red LED on the front panel is ON Yellow LED on the front panel is OFF There is no buzzer alarm <p>On Remote Control SSW-R1-12B (For SSW-1000-1500-2000-12A)</p> <ul style="list-style-type: none"> DC input voltage is being displayed Power Bar Graph is OFF Message "Output Fault" is flashing 	<p>Shut down due to overload or short circuit or ground fault / leakage</p> <ol style="list-style-type: none"> Inverter has shut down because the power drawn by the load is more than the continuous / surge ratings or there is a short circuit on the load side. In Models SSW-350-12A and SSW-600-12A, this shut down could also be due to ground fault / leakage on the load side (These models have built in Ground Fault Protection Circuit). 	<ol style="list-style-type: none"> Reduce the load or disconnect the load that is causing overloading. Check for shorting and remove the short. In case of SSW-350 / SSW-600, also check for Ground fault on the load side When the inverter shuts down due to overload, it will be latched in shutdown condition and will require a manual reset at the inverter by switching OFF and then switching ON. Switch off the inverter. Wait for 3 min for the internal latching circuit to de-energize and then switch ON again after removing the cause of overload / short circuit NOTE: SSW-1000-12A, SSW-1500-12A and SSW-200-12A cannot be reset by using the ON / OFF push button on the Remote. Manual reset, as explained above, has to be carried out with the help of the ON / OFF switch on the inverter
<p>NO AC OUTPUT (For SSW-1000-1500-2000-12A)</p> <p>On the NEMA5-20R Duplex GFCI outlet</p> <ul style="list-style-type: none"> The small Green LED light on the GFCI outlet is OFF The "Reset Button" has popped out <p>On the Inverter</p> <ul style="list-style-type: none"> Green LED on the front panel of the inverter is ON Yellow LED and Red LED on the front panel of the inverter are OFF There is no buzzer alarm <p>On the Remote Control SSW-R1-12B</p> <ul style="list-style-type: none"> Power Bar Graph is OFF Backlight is dimmed DC input voltage is being displayed 	<p>GFCI has tripped due to ground fault / leakage on the load side</p> <ol style="list-style-type: none"> Due to ground fault / leakage on the Load Side of the GFCI, the Load Side has been mechanically disconnected from its AC input side by the relay inside the GFCI. Internally, the inverter will still be working normally and the rated AC output voltage will be available on the internal Line Side of the GFCI but not on the external Load Side of the GFCI due to tripped relay in the GFCI. 	<p>Use the "Reset" button on the GFCI outlet to reset the mechanical switch to the ON position after removing the cause of the ground fault / leakage.</p>

SECTION 7 | Troubleshooting Guide

TROUBLE / SYMPTOMS	POSSIBLE CAUSE(S)	SUGGESTED REMEDIES
<p>AC OUTPUT IS AVAILABLE</p> <p><i>On the Inverter</i></p> <ul style="list-style-type: none"> Green LED on the front panel of the inverter is ON Red LED is OFF Buzzer alarm sounds intermittently when DC input voltage drops to Low DC Input Voltage Alarm Threshold of 11V +/- 0.3V when delivering high power loads Yellow LED comes ON when buzzer alarm is sounded. <p><i>On the Remote Control SSW-R1-12B (For SSW-1000-1500-12A)</i></p> <ul style="list-style-type: none"> DC input voltage is being displayed and intermittently drops to Low DC Input Voltage Alarm Threshold of 11V +/- 0.3V when delivering high power loads Message "Input Fault" intermittently flashes whenever DC input voltage drops to Low DC Input Voltage Alarm Threshold of 11V +/- 0.3V Power Bar Graph will be ON if the output power is > 50W to 100W 	<p>Intermittent buzzer alarm due to intermittent high AC loads</p> <ol style="list-style-type: none"> DC input wire size is not adequate for higher capacity loads OR there is loose connection between the battery and the inverter leading to DC input voltage falling below the Low DC Input Voltage Alarm Threshold of 11V +/- 0.3V The battery has developed sulfation due to undercharging. In this condition, the internal resistance of the battery rises above normal and hence, causes abnormal voltage drop on its terminals at higher discharge current consumed by higher capacity load 	<ol style="list-style-type: none"> Use thicker wires between the battery and the inverter and tighten all DC input circuit connections Check internal resistance of the battery and remove sulfation by equalizing the battery or replace the battery Alarm resets automatically when battery voltage rises to 11.5 VDC ± 0.2 VDC
<p>NO AC OUTPUT</p> <p><i>On the Inverter</i></p> <ul style="list-style-type: none"> Green LED on the front panel of the inverter is ON Red LED is OFF Buzzer alarm sounds all the time Yellow LED is ON <p><i>On the Remote Control SSW-R1-12B (For SSW-1000-1500-2000-12A)</i></p> <ul style="list-style-type: none"> DC input voltage is being displayed and has dropped to Low DC Input Voltage Shutdown Threshold of 10.5V +/- 0.3V Message "Input Fault" is flashing Power Bar Graph is OFF LCD is dimmed 	<p>Shutdown due to low DC input voltage</p> <ol style="list-style-type: none"> DC input wire size is not adequate for the capacity of the AC load OR there is loose connection between the battery and the inverter leading to DC input voltage falling below the Low DC Input Voltage Shutdown Threshold of 10.5V +/- 0.3V The battery has developed sulfation due to undercharging. In this condition, the internal resistance of the battery rises above normal and hence causes abnormal voltage drop on its terminals at higher discharge current consumed by higher capacity load 	<ol style="list-style-type: none"> Use thicker wires between the battery and the inverter and tighten all DC input circuit connections Check internal resistance of the battery and remove sulfation by equalizing the battery or replace the battery Alarm resets automatically when battery voltage rises to 11.5 VDC ± 0.2 VDC
<p>AC OUTPUT IS AVAILABLE</p> <p><i>On the Inverter</i></p> <ul style="list-style-type: none"> Green LED on the front panel of the inverter is ON Red LED is OFF Buzzer alarm sounds when DC input voltage drops to Low DC Input Voltage Alarm Threshold of 11V +/- 0.3V even on low AC loads Yellow LED comes ON when buzzer alarm is sounded. <p><i>On the Remote Control SSW-R1-12B (For SSW-1000-1500-2000-12A)</i></p> <ul style="list-style-type: none"> DC input voltage is being displayed and drops to Low DC Input Voltage Alarm Threshold of 11V +/- 0.3V even at low loads Message "Input Fault" flashes whenever DC input voltage drops to Low DC Input Voltage Alarm Threshold of 11V +/- 0.3V Power Bar Graph is ON if the output power is > 50W to 100W 	<p>Buzzer alarm due to low DC input voltage even at low AC loads The battery is almost discharged</p>	<ol style="list-style-type: none"> Recharge the battery. Alarm resets automatically when battery voltage rises to 11.5 VDC ± 0.2 VDC

SECTION 7 | Troubleshooting Guide

TROUBLE / SYMPTOMS	POSSIBLE CAUSE(S)	SUGGESTED REMEDIES
<p>NO AC OUTPUT</p> <p><i>On the Inverter</i></p> <ul style="list-style-type: none"> Green LED on the front panel of the inverter is ON Red LED is OFF Buzzer alarm is OFF Yellow LED is ON <p><i>On the Remote Control SSW-R1-12B (For SSW-1000-1500-2000-12A)</i></p> <ul style="list-style-type: none"> DC input voltage is being displayed and has risen to High DC Input Voltage Shutdown Threshold of 15.3V +/- 0.3V Message "Input Fault" is flashing Power Bar Graph is OFF LCD is dimmed 	<p>Shutdown due to high DC input voltage</p> <p>DC input voltage has risen to High DC Input Voltage Shutdown Threshold of 15.3V +/- 0.3V</p>	<ol style="list-style-type: none"> Switch OFF the AC load and the inverter. Disconnect the DC input to the inverter Check the output voltages of the battery and charging source and ensure these are below the High DC Input Voltage Shutdown Threshold of 15.3V +/- 0.3V Check that a 24V battery is not being used instead of 12V battery The unit will reset automatically once the voltage drops to 14.9V +/- 0.2V CAUTION! Voltage input of > 16 V will permanently damage the inverter
<p>INVERTER DOES NOT SHUT DOWN WHEN REMOTE CONTROL SSW-R1-12B IS SWITCHED OFF (For SSW-1000-1500-2000-12A)</p>	<p>The ON / OFF switch on the inverter is in ON condition</p>	<p>When using the Remote Control SSW-R1-12B, ensure that the ON / OFF switch on the inverter is in OFF position</p>
<p>MOTORIZED POWER TOOL WILL NOT START</p>	<p>Excessive start-up current from the load is activating the Soft Start Circuit and is reducing the output voltage and consequently, the current to a level where the starting torque required by the motor is not sufficient to turn the motor. (Starting torque in a motor is proportional to Voltage and the Current)</p>	<p>If appliance does not start, then the appliance is drawing excessive power and will not work with the inverter</p>
<p>MOTORIZED POWER TOOL DOES NOT OPERATE AT CORRECT SPEED</p>	<p>Purely inductive load with higher reactive power and lower Power Factor is activating the soft start circuitry and reducing the output voltage resulting in reduced speed</p>	<p>Make the load not purely inductive. Operate an incandescent lamp at the same time as the motor. This will reduce the reactive power and raise the Power Factor so that the Soft Start Circuit is not activated</p>

SECTION 8 | Fuse Replacement

8.1 FUSES INSIDE THE INVERTER

The AC side is protected by an integral electronic overload circuit and will automatically reset in some cases.

The DC side is protected by fuses that are located inside the inverter. Normally, these fuses will not blow unless a serious problem occurs. See Section 9 - Specifications for details of fuses.

Please DO NOT replace the fuses yourself. We recommend you contact technician to find and fix the problems. High voltage and high temperature inside!



CAUTION!

NO USER-SERVICEABLE COMPONENTS INSIDE. DO NOT ATTEMPT TO OPEN THE INVERTER.

SECTION 9 | SPECIFICATIONS

	MODEL NO.	SSW-350-12A	SSW-600-12A	SSW-1000-12A	SSW-1500-12A	SSW-2000-12A
INPUT	DC INPUT VOLTAGE RANGE	10.5 - 15.3 VDC (± 0.3 VDC)				
	DC INPUT CURRENT AT RATED LOAD	35A	60A	100A	150A	200A
	DC INPUT CURRENT AT NO LOAD	< 0.5A	< 0.7A	< 0.9A	< 1.0A	< 1.1A
OUTPUT	AC OUTPUT VOLTAGE	115 VAC (± 5 VAC)				
	AC OUTPUT FREQUENCY	60 Hz (± 1 Hz)				
	AC OUTPUT WAVE FORM	PURE SINE WAVE				
	CONTINUOUS ACTIVE OUTPUT POWER	350W	600W	1000W	1500W	2000W
	MAXIMUM ACTIVE SURGE POWER (LESS THAN 1 SEC)	700W	1200W	2000W	3000W	4000W
	PEAK EFFICIENCY	89%	89%	89%	90%	90%
PORTS	USB CHARGING PORT (+5 VDC, 500 MA)	YES	YES	NO	NO	NO
	REMOTE CONTROL PORT (RJ-45 JACK, 8P8C)	NO	NO	YES	YES	YES
PROTECTIONS	LOW INPUT VOLTAGE WARNING ALARM	11.0 VDC ± 0.3 VDC				
	LOW INPUT VOLTAGE SHUTDOWN	10.5 VDC ± 0.3 VDC				
	HIGH INPUT VOLTAGE SHUTDOWN	15.3 VDC ± 0.3 VDC				
	GROUND FAULT/OVERLOAD/SHORT CIRCUIT SHUTDOWN	YES				
	OVER TEMPERATURE SHUTDOWN	YES				
	COOLING	2-SPEED, LOAD CONTROLLED FAN (ALWAYS ON)				
	NUMBER OF COOLING FANS	1	1	2	2	2
	INTERNAL FUSES	2 x 25A in parallel	3 x 30A in parallel	6 x 30A in parallel	8 x 30A in parallel	10 x 30A in parallel
		(Automotive Blade Fuses, Type ATO/ATC, 32 VDC)				
CONNECTIONS	INPUT	TERMINALS WITH THUMB SCREW (M4)			NUT AND BOLT (M9)	
	OUTPUT	2 x NEMA5-15R RECEPTACLES			NEMA5-20R DUPLEX RECEPTACLES	
SAFETY	COMPLIANCE	INTERTEK-ETL LISTED TO UL STANDARD UL-458				
GENERAL	OPERATING AMBIENT TEMPERATURE	0°C to 40°C; 32°F to 104°F				
	STORAGE TEMPERATURE	-30°C to 70°C; -26°F to 158°F				
	DIMENSIONS, IN (W X D X H)	6.10 x 8.86 x 2.32	6.10 x 10.0 x 2.32	8.74 x 11.10 x 3.50	8.74 x 13.11 x 3.50	8.74 x 13.11 x 3.50
	DIMENSIONS, MM (W X D X H)	155 x 225 x 59	155 x 225 x 59	222 x 282 x 89	222 x 333 x 89	222 x 333 x 89
	WEIGHT, KG	0.9	1.1	2.9	3.6	4.0
	WEIGHT, LB	2.0	2.4	6.4	7.8	9.0
ACCESSORIES INCLUDED	DC INPUT WIRES WITH BATTERY CLAMPS	3' AWG #12	3' AWG #8	NO	NO	NO
	REMOTE CONTROL SSW-R1-12B	NO	NO	YES	YES	YES

SECTION 10 | WARRANTY

2 YEAR LIMITED WARRANTY

SSW-350-12A, SSW-600-12A, SSW-1000-12A, SSW-1500-12A AND SSW-2000-12A are manufactured by Samlex America, Inc. (the "Warrantor") are warranted to be free from defects in workmanship and materials under normal use and service. The warranty period is 2 years for the United States and Canada, and is in effect from the date of purchase by the user (the "Purchaser").

Warranty outside of the United States and Canada is limited to 6 months. For a warranty claim, the Purchaser should contact the place of purchase to obtain a Return Authorization Number.

The defective part or unit should be returned at the Purchaser's expense to the authorized location. A written statement describing the nature of the defect, the date of purchase, the place of purchase, and the Purchaser's name, address and telephone number should also be included.

If upon the Warrantor's examination, the defect proves to be the result of defective material or workmanship, the equipment will be repaired or replaced at the Warrantor's option without charge, and returned to the Purchaser at the Warrantor's expense.
(Contiguous US and Canada only)

No refund of the purchase price will be granted to the Purchaser, unless the Warrantor is unable to remedy the defect after having a reasonable number of opportunities to do so. Warranty service shall be performed only by the Warrantor. Any attempt to remedy the defect by anyone other than the Warrantor shall render this warranty void. There shall be no warranty for defects or damages caused by faulty installation or hook-up, abuse or misuse of the equipment including exposure to excessive heat, salt or fresh water spray, or water immersion.

No other express warranty is hereby given and there are no warranties which extend beyond those described herein. This warranty is expressly in lieu of any other expressed or implied warranties, including any implied warranty of merchantability, fitness for the ordinary purposes for which such goods are used, or fitness for a particular purpose, or any other obligations on the part of the Warrantor or its employees and representatives.

There shall be no responsibility or liability whatsoever on the part of the Warrantor or its employees and representatives for injury to any persons, or damage to person or persons, or damage to property, or loss of income or profit, or any other consequential or resulting damage which may be claimed to have been incurred through the use or sale of the equipment, including any possible failure of malfunction of the equipment, or part thereof. The Warrantor assumes no liability for incidental or consequential damages of any kind.

Samlex America Inc. (the "Warrantor")
www.samlexamerica.com

Contact Information

Toll Free Numbers
Ph: 1 800 561 5885
Fax: 1 888 814 5210

Local Numbers
Ph: 604 525 3836
Fax: 604 525 5221

Website
www.samlexamerica.com

USA Shipping Warehouses
Kent, WA
Plymouth, MI

Canadian Shipping Warehouse
Delta BC

Email purchase orders to
orders@samlexamerica.com





Adresse email pour
passer commande
orders@samlexamerica.com

Entrepôt Canada
Delta, BC

Entrepôts USA
Kent, WA
Plymouth, MI

Site internet
www.samlexamerica.com

Números locaux
Tel : 604 525 3836
Fax : 604 525 5221

Números gratuits
Tel : 1 800 561 5885
Fax : 1 888 814 5210

Information Contact



GARANTIE LIMITEE SOUS 2 ANS

SSW-350-12A, SSW-600-12A, SSW-1000-12A, SSW-1500-12A, SSW-2000-12A, fabriqués par Samlex America, Inc. (le « Garant ») sont garantis être non défectueux dans la conception et dans les matériaux, moyennant une utilisation et un service normaux. La période de garantie est de 2 ans pour les Etats-Unis et le Canada, et prend effet le jour de l'achat par l'utilisateur (« l'Acheteur »).

La garantie hors des Etats Unis et du Canada est limitée à 6 mois. Pour une réclamation concernant la garantie, l'Acheteur devra contacter le point de vente ou l'achat a été effectué afin d'obtenir un Numéro d'Autorisation pour le Retour.

La pièce ou l'unité défectueuse devra être retournée aux frais de l'acheteur au point de vente agréé. Une déclaration écrite décrivant la nature du défaut, la date et le lieu d'achat ainsi que le nom, l'adresse et le numéro de téléphone de l'Acheteur devront également être renseignés.

Si a l'examination de la demande par le Garant, le défaut est réellement le résultat d'un matériau ou d'un assemblage défectueux, l'équipement sera réparé ou remplacé gratuitement et renvoyé a l'Acheteur aux frais du Garant. (Etats-Unis et Canada uniquement).

Aucun remboursement du prix d'achat ne sera accordé a l'Acheteur, sauf si le Garant est incapable de remédier au défaut après avoir eu plusieurs occasions de le faire. Le service de garantie doit être effectué uniquement par le Garant. Toute tentatives de remédier au défaut par quelqu'un d'autre que le Garant rendent cette garantie nulle et sans effet. Il n'existe aucune garantie concernant les défauts ou dommages causés par une installation défectueuse ou inadaptée, par un abus ou une mauvaise utilisation de l'équipement, y compris, une exposition excessive a la chaleur, au sel, aux éclaboussures d'eau fraîche ou a l'immersion dans l'eau.

Aucune autre garantie express n'est accordée et il n'existe aucunes garanties qui s'étendent au delà des conditions décrites par la présente. Cette garantie est la seule garantie valable et reconnue par le Garant, et prédomine sur d'autres garanties implicites, y compris les garanties implicites liées a la garantie de qualité marchande, a l'usage des objectifs habituels pour lesquels de telles marchandises sont utilisées, ou l'usage pour un objectif particulier, ou toutes autres obligations de la part du Garant ou de ses employés et représentants.

Il ne doit pas exister de responsabilité ou autre de la part du Garant ou des ses employés et représentants, en ce qui concerne les blessures corporelles, ou les dommages de personne a pertes, ou les dégâts sur une propriété, ou la perte de revenus ou de bénéfices, ou autres dommages collatéraux, pouvant être rapportés comme ayant survenus au cours de l'utilisation ou de la vente du matériel, y compris tous dysfonctionnements ou échecs du matériel, ou une partie de celui-ci. Le Garant n'assume aucune responsabilité concernant toutes sortes de dommages accidentels ou indirects.

N° DE MODÈLE	SSW-350-12A	SSW-600-12A	SSW-1000-12A	SSW-1500-12A	SSW-2000-12A
PLAGE DE TENSION CC D'ENTRÉE	10,5 - 15,3 VCC (±0,3 VCC)				
ENTRÉE DE COUFANT CC À LA CHARGE NOMINALE	35A	60A	100A	150A	200A
ENTRÉE DE COURANT CC SANS CHARGE	< 0,5A	< 0,7A	< 0,9A	< 1,0A	< 1,1A
TENSION DE SORTIE CA	115 VAC (± 5 VAC)				
FRÉQUENCE DE SORTIE CA	60 Hz (± 1Hz)				
FORME D'ONDE DE SORTIE AC	PURE SINE WAVE				
PUISSANCE DE SORTIE CONTINUE ACTIVE	350W	600W	1000W	1500W	2000W
POWER PUISSANCE MAXIMUM DE POINTE (MOINS D'1 SEC)	700W	1200W	2000W	3000W	4000W
MAXIMUM D'EFFICACITÉ	89 %	89 %	89 %	90 %	90 %
PORT DE CHARGE USB (+5VCC, 500 mA)	OUI	OUI	NON	NON	NON
PORT DE COMMANDE À DISTANCE (RJ-45 JACK, 8P8C)	NON	NON	NON	OUI	OUI
ALARME D'AVERTISSEMENT DE BASSE TENSION D'ENTRÉE	OUI	OUI	OUI	OUI	OUI
ARRÊT DE BASSE TENSION D'ENTRÉE	OUI	OUI	OUI	OUI	OUI
ARRÊT DE TENSION ÉLEVÉ D'ENTRÉE	OUI	OUI	OUI	OUI	OUI
SURCHARGE/COURT CIRCUIT ET ARRÊT	OUI	OUI	OUI	OUI	OUI
SURCHAUFFE ARRÊT	OUI	OUI	OUI	OUI	OUI
REFROIDISSEMENT	VENTILATEUR DE CHARGE CONTRÔLÉE À 2-VITESSE (TOUJOURS ACTIVE)				
QUANTITÉ DE VENTILATEURS	1	1	2	2	2
FUSIBLES INTERNES	2 X 25A en parallèle	3x 30A en parallèle	6 x 30A en parallèle	8 x 30A en parallèle	10 x 30A en parallèle
	(Les fusibles à lame, Type d'automobiles ATO/ATC, 32 VCC)				
ENTRÉE	BORNES AVEC VIS DE SERRAGE (M4)	BORNES AVEC VIS DE SERRAGE (M4)	BORNES AVEC VIS DE SERRAGE (M4)	BORNES AVEC VIS DE SERRAGE (M4)	BORNES AVEC VIS DE SERRAGE (M4)
SORTIE	RÉCEPTACLES 2 x NEMA5-15	RÉCEPTACLES 2 x NEMA5-15	RÉCEPTACLES 2 x NEMA5-15	RÉCEPTACLES 2 x NEMA5-15	RÉCEPTACLES 2 x NEMA5-15
CONNECTIONS	ENTRÉE	ENTRÉE	ENTRÉE	ENTRÉE	ENTRÉE
	BOUTON ET ÉCROU (M9)	BOUTON ET ÉCROU (M9)	BOUTON ET ÉCROU (M9)	BOUTON ET ÉCROU (M9)	BOUTON ET ÉCROU (M9)
SECURITÉ	ECONFORMITÉ	ECONFORMITÉ	ECONFORMITÉ	ECONFORMITÉ	ECONFORMITÉ
	INTERTEK-ETL LISTED TO UL STANDARD UL-458	INTERTEK-ETL LISTED TO UL STANDARD UL-458	INTERTEK-ETL LISTED TO UL STANDARD UL-458	INTERTEK-ETL LISTED TO UL STANDARD UL-458	INTERTEK-ETL LISTED TO UL STANDARD UL-458
TEMPÉRATURE AMBIANTE DE FONCTIONNEMENT	0°C to 40°C; 32°F to 104°F	0°C to 40°C; 32°F to 104°F	0°C to 40°C; 32°F to 104°F	0°C to 40°C; 32°F to 104°F	0°C to 40°C; 32°F to 104°F
STORAGE TEMPERATURE	-30°C to 70°C; -26°F to 158°F	-30°C to 70°C; -26°F to 158°F	-30°C to 70°C; -26°F to 158°F	-30°C to 70°C; -26°F to 158°F	-30°C to 70°C; -26°F to 158°F
DIMENSIONS, POUÇES (L X W X H)	6,10 x 8,86 x 2,32	6,10 x 10,0 x 2,32	8,74 x 11,10 x 3,50	8,74 x 13,11 x 3,50	8,74 x 13,11 x 3,50
DIMENSIONS, MM (L X W X H)	155 x 225 x 59	155 x 225 x 59	222 x 282 x 89	222 x 333 x 89	222 x 333 x 89
POIDS, KG	0,9	1,1	2,9	3,6	4,0
POIDS, LB	2,0	2,4	6,4	7,8	9,0
CABLES DE CC AVEC PINCES DE BATTERIE	3' AVG #12	3' AVG #8	3' AVG #8	3' AVG #8	3' AVG #8
ACCESSOIRES INCLUS	SUR LA TÉLÉCOMMANDE SSW-R1-12B	NON	NON	OUI	OUI

SECTION 7 | Guide de dépannage

SYMPTÔME	CAUSE PROBABLE	SOLUTION SUGGÉRÉE
L'ONDULEUR DE S'ARRÊTE PAS LORSQUE LA TÉLÉCOMMANDE SSW-R1-12B EST ÉTEINTE. (POUR SSW-1000-1500-2000-12A)	L'interrupteur ON/OFF de l'onduleur est ALLUMÉ	Lorsque vous utilisez la télécommande SSW-R1-12B, assurez-vous que l'interrupteur ON/OFF de l'onduleur est ÉTEINT.
APPAREIL ÉLECTRIQUE MOTORISÉ NE DÉMARRE PAS	Un courant excessif de démarrage depuis la charge, active le démarrage graduel du circuit et réduit la tension de sortie. Il réduit ainsi le courant à un certain niveau, où le couple de démarrage requis par le moteur n'est pas suffisant pour démarrer le moteur. (Le couple de démarrage dans un moteur est proportionnel à la tension et au courant).	Si l'appareil ne démarre pas, cela signifie que l'appareil consomme trop de courant et il ne fonctionnera pas avec l'onduleur.
APPAREIL ÉLECTRIQUE MOTORISÉ FONCTIONNE À UNE VITESSE ANORMALE	Une charge purement inductive avec une puissance réactive plus élevée et un moindre facteur de puissance active le circuit de démarrage et réduit la tension de sortie, réduisant ainsi la vitesse.	Faites en sorte que la charge ne soit pas purement inductive. Faites fonctionner une lame incandescente en même temps que le moteur. Cela réduira la puissance réactive et augmentera le facteur de puissance, afin que le démarrage soit graduel. Le circuit n'est pas actif.

SECTION 8 | Remplacement des fusibles

8.1 FUSIBLES À L'INTÉRIEUR DU CONVERTISSEUR

Le côté CA est protégé par un circuit intégral électronique de surcharge et redémarrera automatiquement dans certains cas.

Le côté DC est protégé par des fusibles qui sont situés à l'intérieur de l'onduleur. Normalement, ces fusibles n'est pas souffler à moins qu'un sérieux problème. Voir la Section 9 - Spécifications pour plus de détails sur les fusibles. Veuillez NE PAS remplacer les fusibles vous-même. Nous vous recommandons de contacter un technicien pour identifier et régler le problème. Il y a une haute tension et une forte température à l'intérieur !



ATTENTION!

IL N'Y A PAS DE COMPOSANTES ACCESSIBLES POUR L'UTILISATEUR À L'INTÉRIEUR. NE TENTEZ PAS D'OUVRIR LE CONVERTISSEUR.

SOLUTION SUGGÉRÉE	CAUSE PROBABLE	SYMPTÔME
<p>1. Utiliser des câbles plus épais pour relier la batterie à l'onduleur et resserrer tous les branchements d'entrée du circuit de CC</p> <p>2. Vérifiez la résistance interne de la batterie et enlever toute trace de sulfatation en égalisant la batterie ou remplacez la batterie.</p> <p>3. L'alarme se réinitialise automatiquement lorsque la tension de la batterie s'élève à $11,5 \text{ VCC} \pm 0,2 \text{ VCC}$</p>	<p>1. Le taille des câbles d'entrée de CC est inadéquate pour des charges de plus fortes capacités. Ou le branchement n'est pas bien effectué entre la batterie et l'onduleur, ce qui fait chuter la tension d'entrée de CC en dessous du seuil d'alarme de $10,5 \text{ V} \pm 0,3 \text{ V}$</p> <p>2. La batterie présente des traces de sulfatation en raison de la sous charge. Ainsi, la résistance interne de la batterie chauffe et provoque une chute anormale de la tension aux bornes au courant de décharge plus élevé consommé par une capacité de charge plus élevée.</p>	<p>AUCUNE SORTIE CA</p> <p><i>Sur l'onduleur</i></p> <ul style="list-style-type: none"> • DEL verte du panneau frontal • De l'onduleur est ALLUMÉE • DEL rouge est ETEINTE • Alarme sonore constante • DEL jaune est ALLUMÉE <p><i>Sur la télécommande SSW-R1-12B (Pour SSW-1000-1500-2000-12A)</i></p> <ul style="list-style-type: none"> • La tension d'entrée de CC s'affiche, chute et atteint un seuil d'alarme de $10,5 \text{ V} \pm 0,3 \text{ V}$ • Message "Erreur d'entrée" clignote • Barre-graphe de puissance est ETEINT • ACL est estompé <p>SORTIE DE CA EST DISPONIBLE</p> <p><i>Sur l'onduleur</i></p> <ul style="list-style-type: none"> • DEL verte du panneau frontal de l'onduleur est ALLUMÉE • DEL rouge est ETEINTE • Alarme sonne lorsque la tension d'entre de CC chute à un niveau de tension trop faible. • Seuil d'alarme de $11 \text{ V} \pm 0,3 \text{ V}$ même surde faibles charges de CA • DEL jaune s'ALLUME lorsque l'alarme sonore est sondée <p><i>Sur la télécommande SSW-R1-12B (Pour SSW-1000-1500-2000-12A)</i></p> <ul style="list-style-type: none"> • La tension d'entrée de CC s'affiche, chute et atteint un seuil d'alarme de $11 \text{ V} \pm 0,3 \text{ V}$, même a de faibles charges. • Message "Erreur d'entrée" clignote lorsque la tension d'entrée de CC chute et atteint un seuil d'alarme de $11 \text{ V} \pm 0,3 \text{ V}$ • Barre-graphe de puissance est ALLUMÉ si le courant de sortie est > 50 W to 100 W
<p>1. Rechargez la batterie.</p> <p>2. L'alarme se réinitialise automatiquement lorsque la tension de la batterie s'élève à $11,5 \text{ VCC} \pm 0,2 \text{ VCC}$</p>	<p>Alarme sonore due à la faible tension d'entrée de CC même pour de faibles charges de CA</p> <p>La batterie est presque déchargée.</p>	<p>AUCUNE SORTIE CA</p> <p><i>Sur l'onduleur</i></p> <ul style="list-style-type: none"> • DEL verte du panneau frontal de l'onduleur est ALLUMÉE • DEL rouge est ETEINTE • Alarme sonne lorsque la tension d'entre de CC chute à un niveau de tension trop faible. • Seuil d'alarme de $11 \text{ V} \pm 0,3 \text{ V}$ même surde faibles charges de CA • DEL jaune s'ALLUME lorsque l'alarme sonore est sondée <p><i>Sur la télécommande SSW-R1-12B (Pour SSW-1000-1500-2000-12A)</i></p> <ul style="list-style-type: none"> • La tension d'entrée de CC s'affiche, chute et atteint un seuil d'alarme de $11 \text{ V} \pm 0,3 \text{ V}$, même a de faibles charges. • Message "Erreur d'entrée" clignote lorsque la tension d'entrée de CC chute et atteint un seuil d'alarme de $11 \text{ V} \pm 0,3 \text{ V}$ • Barre-graphe de puissance est ALLUMÉ si le courant de sortie est > 50 W to 100 W
<p>1. ÉTEIGNEZ la charge de CA et l'onduleur</p> <p>2. Débranchez l'entrée de CC de l'onduleur</p> <p>3. Vérifiez que les tensions de sortie de la batterie et de la source de la charge et assurez-vous qu'elles sont en dessous du seuil d'alarme élevé de $15,3 \text{ V} \pm 0,3 \text{ V}$</p> <p>4. Vérifiez que vous n'utilisez pas une batterie 24V au lieu d'une batterie 12V</p> <p>5. L'unité se réinitialisera automatiquement une fois que la tension aura chuté à $14,9 \text{ V} \pm 0,2 \text{ V}$</p> <p>6. ATTENTION! Une tension d'entrée supérieure à 16 V endommagera définitivement l'onduleur.</p>	<p>Arrêt du a une tension d'entrée de CC élevée</p> <p>La tension d'entrée de CC a augmenté et atteint un seuil d'alarme élevé de $15,3 \text{ V} \pm 0,3 \text{ V}$</p>	<p>AUCUNE SORTIE CA</p> <p><i>Sur l'onduleur</i></p> <ul style="list-style-type: none"> • DEL verte du panneau frontal de l'onduleur est ALLUMÉE • DEL rouge est ETEINTE • Alarme sonore est ETEINTE • DEL jaune est ALLUMÉE <p><i>Sur la télécommande SSW-R1-12B (Pour SSW-1000-1500-2000-12A)</i></p> <ul style="list-style-type: none"> • La tension d'entrée de CC s'affiche, augmente et atteint un seuil d'alarme élevé de $15,3 \text{ V} \pm 0,3 \text{ V}$ • Message "Erreur d'entrée" clignote • Barre-graphe de puissance est ETEINT • ACL est estompé

SOLUTION SUGGÉRÉE	CAUSE PROBABLE	SYMPTÔME
<p>Utiliser le bouton de « réinitialisation » du GFCI pour remettre l'interrupteur mécanique en position ALLUMÉE, après avoir identifié la cause du défaut à la terre / fuite.</p>	<p>GFCI s'est déclenché en raison d'un défaut à la terre / fuite du côté charge</p> <p>1. En raison d'un défaut à la terre / fuite du côté charge du GFCI, le côté charge a été mécaniquement déconnecté de son entrée de CA par le relais situé à l'intérieur du GFCI.</p> <p>2. A l'intérieur, l'onduleur continuera de fonctionner normalement la tension de sortie de CA évaluée sera disponible dans la partie interne du GFCI mais pas sur le côté charge externe du GFCI, en raison du déclenchement du relai au sein du GFCI.</p>	<p>AUCUNE SORTIE CA (Pour SSW-1000-1500-2000-12A)</p> <p><i>Sur le GFCI Duplex de NEMAS-20R</i></p> <ul style="list-style-type: none"> • Petite DEL verte du disjoncteur de fuite à la terre est ETEINTE • Le "Bouton de réinitialisation" s'affiche <p><i>Sur l'onduleur</i></p> <ul style="list-style-type: none"> • DEL verte du panneau frontal est ALLUMÉE • DEL jaune et rouge du panneau frontal de l'onduleur sont ETEINTES • Aucune alarme sonore <p><i>Sur télécommande SSW-R1-12B</i></p> <ul style="list-style-type: none"> • Barre-graphe de puissance est ETEINT • Rétro-éclairage variable • Tension de courant CC est affichée
<p>1. Utiliser des câbles plus épais pour relier la batterie à l'onduleur et resserrerz tous les branchements d'entrée du circuit de CC</p> <p>2. Vérifiez la résistance interne de la batterie et enlever toute trace de sulfatation en égalisant la batterie ou remplacez la batterie.</p> <p>3. L'alarme se réinitialise automatiquement lorsque la tension de la batterie s'élève à 11,5 VCC ± 0,2 VCC</p>	<p>Alarme sonore par intermittence du aux charges élevées de CA par intermittence</p> <p>1. Le taille des câbles d'entrée de CC est inadéquate pour des charges de plus fortes capacités OU le branchement n'est pas bien effectuée entre la batterie et l'onduleur, ce qui fait chuter la tension d'entrée de CC en dessous duseuil d'alarme de 11V +/- 0.3V</p> <p>2. La batterie présente des traces de sulfatation en raison de la batterie chargée. Ainsi, la résistance interne de la batterie chauffe et provoque une chute anormale de la tension aux bornes au courant de décharge plus élevée consommé par une capacité de charge plus élevée.</p>	<p>SORTIE CA EST DISPONIBLE</p> <p><i>Sur l'onduleur</i></p> <ul style="list-style-type: none"> • DEL verte du panneau frontal de l'onduleur est ALLUMÉE • DEL rouge est ETEINTE • Alarme sonore par intermittence lorsque la tension d'entrée de CC chute en dessous d'une tension d'entrée de CC faible et qu'il atteint un seuil d'alarme de 11V +/- 0.3V • DEL jaune s'ALLUME lorsque l'alarme se met en route <p><i>Sur la télécommande SSW-R1-12B</i> (Pour SSW-1000-1500-12A)</p> <ul style="list-style-type: none"> • La tension d'entrée de CC s'affiche et chute en dessous d'une tension d'entrée de CC faible et atteint un seuil d'alarme de 11V +/- 0.3V, lorsque'il délivre des charges hautement puissantes. • Message "Erreur d'entrée" clignote par intermittence lorsque la tension d'entrée de CC chute et atteint un seuil d'alarme de 11V +/- 0.3V • Barre-graphe de puissance est ALLUMÉ si le courant de sortie est > 50W to 100W

SECTION 7 | Guide de dépannage

SOLUTION SUGGÉRÉE	CAUSE PROBABLE	SYMPTÔME
<p>1. L'onduleur restera verrouillé en position fermée et devra être réinitialisé manuellement. Pour cela, il faut l'ETEINDRE, attendre 15 minutes et le RALLUMER.</p> <p>2. Avant d'utiliser l'onduleur à nouveau, veuillez vous assurer que la cause de la surchauffe a bien été identifiée.</p>	<p>Arrêt du a une surchauffe</p> <p>Au cas ou l'aérateur tombe en panne ou si le refroidissement est inadéquat en raison d'une température ambiante plus élevée ou en raison d'une ventilation diminuée, la température au sein de l'onduleur commencera à augmenter. La hausse de température est sondée à l'un des MOSFET. Si la température excède 90°C ou 100°C, la tension de sortie de CA se coupera.</p>	<p>AUCUNE SORTIE CA</p> <p><i>Sur l'onduleur</i></p> <ul style="list-style-type: none"> • DEL verte du panneau frontal est ALLUMÉE • DEL jaune sur panneau frontal de l'onduleur pour « Erreur d'entrée » • Sur télécommande SSW-R1-12B (Pour SSW-1000-1500-2000-12A) • Tension d'entrée de CC est affichée • Barre-graphe de puissance est ETEINT • Message "Erreur d'entrée" clignote
<p>1. Vérifiez les câbles de connexion de CC ainsi que les fusibles ou contactez le Soutien Technique</p>	<p>Aucune activité en raison de la perte d'entrée de CC vers l'onduleur</p> <p>1. S'il n'y a aucune tension aux bornes de tension d'entrée de CC :</p> <ul style="list-style-type: none"> • La batterie est morte • Le fusible d'entrée de CC a sauté • Connexion latente le long du circuit depuis la batterie jusqu'aux bornes <p>2. S'il y a de la tension aux bornes de tension d'entrée de CC :</p> <ul style="list-style-type: none"> • Les fusibles d'entrée de CC ont sautés 	<p>AUCUNE SORTIE CA</p> <p><i>Sur l'onduleur</i></p> <ul style="list-style-type: none"> • DEL verte, DEL jaune et DEL rouge du panneau frontal sont ETEINTES • Aucune alarme sonore • Sur télécommande SSW-R1-12B (Pour SSW-1000-1500-2000-12A) • Affichage de la télécommande est ETEINT et ne peut être ALLUMÉ
<p>1. Diminuez la charge ou débranchez la charge qui provoque la surcharge.</p> <p>2. Vérifiez s'il y a un court-circuit et réparez ce court-circuit. Pour les modèles SSW-350 / SSW-600, vérifiez également le défaut a la terre du côté charge.</p> <p>3. Lorsque l'onduleur s'arrête en raison d'une surcharge, il se verrouille et reste éteint. Il faudra le réinitialiser manuellement en l'ETEIGNANT, puis en l'ALLUMANT. Eteignez l'onduleur. Attendez 3 minutes pour que le circuit interne se décharge de son énergie, puis allumez-le à nouveau après avoir identifié et enlevé la cause de la surcharge / court circuit.</p> <p>4. NOTE : SSW-1000-12A, SSW-1500-12A et SSW-200-12A ne peuvent pas être ré-initialisés par l'interrupteur ON / OFF de l'onduleur.</p>	<p>Arrêt du a une surcharge, a un court circuit ou défaut a la terre / fuite</p> <p>1. L'onduleur s'est éteint car le courant insufflé par la charge est supérieure aux classifications de surtension continue ou il y a un court circuit du cote de la charge.</p> <p>2. Pour les modèles SSW-350-12A et SSW-600-12A, Cet arrêt peut aussi être du a un défaut a la terre / fuite du cote de la charge (Ces modèles possèdent un circuit de protection de défaut a la terre)</p>	<p>AUCUNE SORTIE CA</p> <p><i>Sur l'onduleur</i></p> <ul style="list-style-type: none"> • DEL verte est OFF dans SSW-350 et 600 • DEL verte est ON dans SSW-1000, 1500 et 2000 • DEL rouge du panneau frontal est ALLUMÉE • DEL jaune du panneau frontal est ETEINTE • Aucune alarme sonore • Sur télécommande SSW-R1-12B (Pour SSW-1000-1500-2000-12A) • Tension d'entrée de CC est affichée • Barre-graphe de puissance est ETEINT • Message "Erreur d'entrée" clignote

6.3 PROTECTION CONTRE LA SURTENSION DE VOLTAGE

Le convertisseur se fermera automatiquement lorsque le voltage d'entrée dépasse $15,3V \pm 0,3V$. L'unité se réinitialise automatiquement lorsque la tension chute à $14,9 \pm 0,2V$. Un voltage d'entrée dépassant $16V$ pourrait endommager le convertisseur.

Se reporter à la Section 7 - Guide de dépannage pour plus d'informations sur les symptômes, causes et remèdes liés à cette protection.

6.4 PROTECTION CONTRE LA SURCHARGE

Le convertisseur se fermera automatiquement lorsque la consommation dépasse les watts nominaux. Il sera verrouillé en arrêt. L'état et nécessitent une réinitialisation manuelle en éteignant le commutateur ON/OFF (2, fig 3.1.1 et 3.2.1), 3 minutes d'attente et de remettre le contact (circuit de verrouillage interne n'est pas désactivé immédiatement après avoir éteint). SSW-1000/1500/2000 ne peut pas être réinitialisé à l'aide du bouton-poussoir de marche/arrêt sur la télécommande SSW-R1-12B. Réinitialisation manuelle sera requise à l'aide de l'interrupteur de MARCHÉ/ARRÊT de l'onduleur (2, fig 3.1.1 et 3.2.1) comme décrit ci-dessus.

Se reporter à la Section 7 - Guide de dépannage pour plus d'informations sur les symptômes, causes et remèdes liés à cette protection.

6.5 PROTECTION CONTRE LES COURTS-CIRCUITS

Cette protection est similaire à une surcharge protection décrite au paragraphe 6.4 ci-dessus.

6.6 PROTECTION DE DÉFAUT À TERRE

Une protection est fournie qui ferme l'onduleur (SSW-350 & 600) ou déclenche le disjoncteur (SSW-1000, 1500, 2000) si le châssis de la charge CA devient active dû à une fuite de la/les partie(s) active(s) de la charge vers le châssis de la charge. Les SSW-350 & 600 fermeront immédiatement si la fuite dépasse la limite maximale de 5mA. Procédure de réinitialisation pour SSW-350/600 sera identique au paragraphe 6.4 ci-dessus.

Les SSW-1000, 1500 and 2000 déclencheront le réceptacle du disjoncteur et interrompront la puissance CA à la charge si un courant $> 5mA$ s'échappe à la terre, si quelq'un touche le châssis actif de la charge. Veuillez noter que malgré le fait que le disjoncteur à déclenché, l'onduleur ne ferme pas, alors la puissance CA est toujours disponible si le disjoncteur est réinitialisé.

Se reporter à la Section 7 - Guide de dépannage pour plus d'informations sur les symptômes, causes et remèdes liés à cette protection.

6.7 ALARME DE BASSE TENSION D'ENTRÉE DE VOLTAGE

Une alarme se déclenchera lorsque le voltage des bornes d'entrée tombe à $11,0V \pm 0,3V$. Cela indique que soit le voltage du terminal de la batterie a baissé à cause de sa condition de décharge et doit être rechargé OU qu'il existe une chute excessive de voltage sur les câbles connectant le convertisseur à la batterie (à cause de l'utilisation de câbles plus minces et plus longs qui vont provoquer une plus grande chute de voltage à des charges plus élevées OU à cause de connexion desserrée). L'utilisateur doit arrêter le fonctionnement de la charge à ce moment depuis le convertisseur s'arrête automatiquement peu de temps après, lorsque la tension d'entrée à l'inverseur chute à $10,5 \pm 0,3$ volts. Si le déclenchement de l'alarme est dû à des conditions de décharge de la batterie, faites démarrer votre moteur ou utilisez un chargeur de batterie approprié.

L'alarme se réinitialise automatiquement lorsque la tension d'entrée CC s'élève à $11,5 \pm 0,2V$.

Se reporter à la Section 7 - Guide de dépannage pour plus d'informations sur les symptômes, causes et remèdes liés à cette protection.

REMARQUE : Il est normal que l'alarme se déclenche au moment de se connecter ou de se déconnecter de la source d'alimentation. Ceci n'indique pas un problème.

SECTION 5 | Fonctionnement

4. Ajoutez la consommation de watt/heures pour chaque appareil pour obtenir le total watt/heures de consommation pour tous les appareils devant être utilisés.
 5. Divisez le total de consommation watt/heures sur le côté CA par 10 pour obtenir le total d'ampères/heures de consommation sur le côté 12 VCC pour faire fonctionner les appareils.
 6. La capacité d'ampères/heure (Ah) de la batterie doit être 2 fois le total des ampères/heure requis sur le côté 12 VCC pour assurer le fonctionnement des appareils (tel que calculé à l'étape 5 ci-dessus). Le facteur deux fois est nécessaire, car les batteries ne sont pas déchargées normalement en dessous de 50 % de leur capacité.
- Pour obtenir une estimation du courant (en ampères) que la batterie est la prestation à un pouvoir particulier, charge côté AC diviser la charge's AC Consommation de puissance (en watts) par (10).

Prenez en considération que la plupart des appareils ne fonctionnent pas pendant de longues périodes. Par exemple, une cafetière domestique typique utilise 500 watts durant le temps de percolation de 5 minutes, mais maintient la température du pot en utilisant environ 100 watts. L'utilisation typique d'un four à microondes n'est que de quelques minutes, parfois à puissance basse. De même, d'un réfrigérateur compresseur n'est pas rester sur à pleine puissance nominale en tout temps mais s'allume et s'éteint en se fondant sur son réglage du thermostat, température ambiante, la fréquence de l'ouverture/fermeture et la température de l'élément alimentaire(s) lors d'abord enregistré. En règle générale, son cycle de fonctionnement [à temps + temps OFF] se situe autour de 30 %. Par conséquent, un réfrigérateur calibrés à dire 100W tirera watt/heure énergie de 720 Watt heure dans un cycle de 24 heures [(100W x 24hrs) x 30 % = 720W]. Quelques exceptions au court temps d'opération sont les téléviseurs, les ordinateurs, etc.

Dans la plupart des cas, le convertisseur peut être laissée connectée à la batterie lorsque vous ne l'utilisez pas. Cependant, assurez-vous que l'onduleur est éteint à l'aide de l'interrupteur MARCHE/ARRÊT (2, Fig 3.1.1 et 3.2.1) ou à l'aide du bouton ON/OFF sur la télécommande de modèle 55W-R1-12B (section 4.9). Ceci empêchera gaspillage inutile sur les batteries en raison de l'auto-consommation et fonctionnement du ventilateur de refroidissement(s). La performance d'une batterie diminue par températures basses. Une batterie de plus grande capacité doit être installée si la température ambiante tombe sous 20 °C.

NB: Veuillez voir les symptômes détaillés, causes et remèdes au guide de dépannage, à la Section 7.

SECTION 6 | Protections

6.1 PROTECTION CONTRE LA TEMPÉRATURE EXCESSIVE

L'unité est refroidi par ventilateur à 2 vitesses(9), Fig 3.1.1 et 3.2.2). Le(s) ventilateur(s) sera exécuté à vitesse plus lente à partir du moment où l'appareil est allumé jusqu'à environ 10% de la puissance nominale et à pleine vitesse par la suite. Au cas où le(s) ventilateur(s) échoue ou si le refroidissement est insuffisant en raison de l'augmentation de la température ambiante ou de débit d'air restreint, la température à l'intérieur de l'onduleur s'élèvera. Hausse de température est détectée au niveau de l'un des côté DC motifs. Si cette température dépasse 90-100°C, l'AC sortie est désactivée. L'inverseur sera verrouillée en condition de OFF jusqu'à ce qu'il est réinitialisé manuellement en coupant la commutation ON/OFF, en attente de 15 min pour l'unité de refroidir et de remettre le contact.

Se reporter à la Section 7 - Guide de dépannage pour plus d'informations sur les symptômes, causes et remèdes liés à cette protection.

6.2 PROTECTION CONTRE LA SOUS-TENSION DE VOLTAGE

Cette condition n'est pas nocive pour le convertisseur mais pourrait réduire la durée de vie des piles. Le convertisseur s'arrête automatiquement lorsque la tension d'entrée chute à $10,5 \text{ V} \pm 0,3 \text{ V}$. Auto-réset à $11,5 \pm 0,2 \text{ V}$. Se reporter à la Section 7 - Guide de dépannage pour plus d'informations sur les symptômes, causes et remèdes liés à cette protection.

La surtension requise pour certains types spécifiques d'appareils doit être vérifiée auprès du fabricant, testée réellement ou au mieux, devinée.

Tableau 5.1 donne une liste de charges courantes nécessitant une surtension de démarrage élevée. Un « facteur de dimensionnement » a été recommandé pour chacune et consiste en un facteur de multiplication devant s'appliquer à la puissance de fonctionnement nominal de la charge pour parvenir à la puissance continue nominale du convertisseur (multiplier la puissance de fonctionnement de l'outil ou de l'appareil par le facteur de dimensionnement).

Table 5.1 Le dimensionnement de l'onduleur pour des charges avec démarrage surge

Type de matériel ou d'appareil	Facteur de dimensionnement
Appareil de climatisation	5
Réfrigérateur/Congélateur (à compresseur)	5
Compresseur d'air	4
Pompe de puisard/pompe de puits/pompe submersible	3
Lave-vaisselle	3
Lave-linge	3
Micro-ondes (pour les cas où la puissance nominale de sortie est celle de la puissance de cuisson)	2
Ventilateur de fournaise	3
Moteur industriel	3
Chauffe-eau portable au kérosène/diésel	3
Scie circulaire	3
Meuleuse d'établi	3
Lampes à incandescence/halogènes/au quartz	3
Imprimante au laser / D'autres périphériques à l'aide de réchauffeurs halogène en quartz à infrarouge	4
Sources de courant en mode allumé	2
Stroboscope photographique/ampoules de flash (par rapport à leurs watts/sash nominaux)	4*

* Dans le cas du stroboscope photographique/ampoules de flash, la puissance de démarrage du convertisseur devrait être 4 fois celle de la puissance nominale en watt/seconde de l'appareil.

5.6 DÉTERMINER LA PUISSANCE DE LA BATTERIE

Le convertisseur de courant nécessitera des batteries au plomb À DÉCHARGE POUSSÉE d'une capacité appropriée. L'automotive SLI (démarrage/ÉCLAIRAGE/CONTACT) batterie n'est pas conçu pour les décharges importantes répétées. Une batterie de démarrage SLI pourrait ne pas produire suffisamment de courant et son cycle de vie pourrait être réduit.

Pour déterminer la puissance minimale de la batterie dont vous aurez besoin pour faire fonctionner les appareils, suivez ces étapes :

1. Déterminez la puissance en watts de courant alternatif de chaque appareil et/ou outil qu'il vous faudra utiliser simultanément à partir du convertisseur. Pour cela, lisez l'étiquette sur l'équipement que vous allez utiliser. Si c'est indiqué en ampères, multipliez ce chiffre par 1.5 pour déterminer la puissance en watts alternatifs.
2. Pour chaque appareil, évaluez le nombre d'heures pendant lesquelles il fonctionnera entre deux recharges de batterie.
3. Pour chaque appareil, déterminez la consommation de watts/heure requise en multipliant la puissance CA par le nombre d'heures d'utilisation.

Le convertisseur est conçu pour être connecté directement à des équipements électriques et électroniques de la façon décrite ci-dessus. **Ne pas connecter le convertisseur de courant à un réseau de câblage CA domestique ou de véhicule de camping. Ne pas connecter le convertisseur de courant à aucun circuit de charge CA dans lequel le conducteur neutre est mis à la terre ou au pôle négatif de la source CC (batterie).**

MISE EN GARDE!



Ne pas connecter directement à un câblage de distribution CA. Ce convertisseur n'est pas interactif avec le réseau.

5.3 ENVIRONNEMENT DE FONCTIONNEMENT

Pour obtenir un meilleur fonctionnement, le convertisseur devrait être placé sur une surface plane telle que le sol, le plancher d'une voiture ou une autre surface solide. Le convertisseur ne devrait être utilisé que dans des lieux qui satisfont les critères suivants :

SEC – Ne laissez pas l'eau et/ou d'autres liquides entrer en contact avec le convertisseur. Dans toutes les applications nautiques, ne pas installer le convertisseur sous ou proche de la ligne de flottaison et protégez-le contre l'humidité ou l'eau.

FRAIS – La température de l'air ambiant devrait se situer entre 32 °F (0 °C) sans condensation, et 105 °F (40 °C). Ne pas placer le convertisseur sur ou proche d'une bouche d'air chaude ou de tout appareil générateur de chaleur au-dessus de la température de la pièce. Tenir le convertisseur à l'abri des rayons directs du soleil, si toutefois possible.

ÂRÈRE - PAR VENTILATEUR(S) – Refroidi par 2-Vitesse, charge le(s) ventilateur(s) contrôlée (9), fig 3.1.2 et 3.2.2). SSW-350 et 600 ont 1 ventilateur et SSW-1000, 1500 & 2000 ont 2 ventilateurs. Le(s) ventilateur(s) va s'exécuter dès que l'unité est allumée - à vitesse lente de pied levé à des charges jusqu'à 10 % de la puissance nominale de l'onduleur et à pleine vitesse par la suite. Gardez les espaces entourant le convertisseur dégagés afin d'assurer une bonne circulation d'air autour de l'appareil. Ne placez pas d'objets sur ou par-dessus le convertisseur pendant son fonctionnement. Un ventilateur externe s'avère utile si le convertisseur fonctionne à une puissance délivrée maximale pendant des périodes prolongées. L'appareil s'arrêtera si la température excède les températures de fonctionnement. L'appareil redémarrera après avoir refroidi. Se reporter à la section 6.1 et 7 pour les détails de symptômes et remèdes.

SÉCURITAIRE – N'utilisez pas le convertisseur à proximité de matériel inflammable ou dans tout lieu où peuvent s'accumuler des vapeurs de gaz inflammables.

5.4 PUISSANCE NOMINALE ET CONSOMMATION RÉELLE DE COURANT DE L'ÉQUIPEMENT

La plupart des outils, appareils et équipements audiovisuels portent des étiquettes indiquant la consommation de courant en ampères ou en watts. Assurez-vous que la consommation de puissance de l'élément(s) que vous souhaitez utiliser est inférieure à la puissance de l'onduleur. [Si la consommation nominale est indiquée en ampères CA, multipliez simplement par les volts CA (115) afin de déterminer la puissance approximative.] Le convertisseur s'arrêtera de fonctionner en cas de surcharge. La surcharge doit alors être retirée et le convertisseur redémarrera. Les charges résistives sont les plus faciles à faire fonctionner pour le convertisseur. Cependant, les charges résistives plus importantes telles que les poêles électriques ou les chauffe-eaux exigent normalement plus de puissance qu'il ne peut fournir. Les charges inductives telles que les téléviseurs et stéréos nécessitent plus de puissance que les charges résistives de même puissance nominale. Les moteurs à induction ainsi que les téléviseurs peuvent nécessiter de 2 à 6 fois leur puissance nominale pour démarrer. Dans cette catégorie, les plus exigeants sont ceux qui commencent sous charge, tels que les compresseurs et les pompes. Pour redémarrer l'appareil après qu'ils se soient arrêtés en raison de surcharge, retirez la surcharge en plaçant l'interrupteur sur HORS CIRCUIT au besoin, attendez au moins trois minutes et rallumez (Se reporter à la section 6.4 et 7 pour plus de détails concernant les symptômes de surcharge et protections).

5.5 TABLEAU DE DIMENSIONNEMENT POUR DES CHARGES TYPIQUES NÉCESSITANT UNE SURTENSION DE DÉMARRAGE ÉLEVÉE

Les spécifications du fabricant des appareils et instruments n'indiquent que la consommation de fonctionnement requise.

SECTION 4 | Installation



ATTENTION!

Connecteurs desserrés peuvent causer la surchauffe de câbles et isolation fondue.

4.9 CONTRÔLE À DISTANCE

Modèle de contrôle à distance n° SSW-R1-12B a été fourni uniquement pour le modèle SSW-1000-12A, SSW-1500-12A et SSW-2000-12A. Veuillez vous reporter au manuel séparé pour le ci-dessus remote.



ATTENTION!

Lors du câblage de Télécommande SSW-R1-12B, l'interrupteur de MARCHÉ/ARRÊT de l'onduleur (2, Fig 3.1.1 et 3.2.1) doit être en position ARRÊT. Si ce commutateur est laissé dans le État et la télécommande est éteint, à l'aide du bouton ON/OFF sur la télécommande, le convertisseur ne coupe pas complètement. Il en résultera la vidange de la batterie en raison de (i) l'auto-consommation du convertisseur et (ii) la poursuite de l'exécution des l'enclenchement du ou des motoventilateur(s) à vitesse lente.

PORT DE CHARGEMENT USB

Modèles SSW-600-12-350-12A et SSW un sont fournis avec port de recharge USB (3, fig 3.1.1).

Ce port peut être utilisé pour charger des batteries dans les appareils personnels compatibles USB, tels que les téléphones cellulaires, etc. l'orifice est évalué à 5V, 500mA.

SECTION 5 | Operation

5.1 ALLUMER ET ÉTEINDRE LA CHARGE

Veuillez vous assurer de suivre le processus suivant pour allumer et éteindre le convertisseur lorsqu'une charge est déjà connectée au convertisseur :

Pour allumer

1. Éteignez la charge connectée au convertisseur
2. Allumez le convertisseur
3. Attendez quelques secondes
4. Allumez la charge

Pour éteindre

1. Éteignez la charge connectée au convertisseur
2. Éteignez le convertisseur

5.2 CONNEXION DES CHARGES

1. Assurez-vous que la charge unique ou combinée de votre équipement n'exécède pas la capacité de sortie du convertisseur.

2. Éteignez le convertisseur
3. Éteignez la charge
4. Branchez le(s) câble(s) du ou des charges dans la (les) prise(s) CA du convertisseur
5. Allumez le convertisseur. Attendez quelques secondes
6. Le voyant vert DEL s'allumera pour indiquer que le convertisseur fonctionne
7. Allumez la ou les charges

SSW-600-12A: le côté de l'onduleur du câble d'entrée CC doit être résilié avec un personnelisé, Crosse rectangulaire plat (10b, Fig 3.1.2). La crosse s'insère dans la fente rectangulaire dans la borne d'entrée CC (7, 8 fig 3.1.2) et n'est pas serré à l'aide de vis M4. Pour une installation permanente, utilisez la borne ergots (10b, Fig 3.1.2) qui viennent avec le jeu de câbles fourni avec le boîtier (voir section 4.4). Pour cela, couper le câble autour de 2" de l'ergot et raccordez-le au câble approprié pour être utilisé pour une installation permanente (le dimensionnement des câbles selon le tableau 4.1). Utilisation du connecteur d'épissure aboutée appropriée.

SSW-1000-12A, SSW-1500-12A et SSW-2000-12A

Le côté de l'onduleur du câble d'entrée CC doit être résilié avec un anneau/timon type de crosse à monter M9 ou 3/8" size de goujon sur la crosse d'entrée CC (7, 8 fig 3.2.2). La crosse peuvent être sertis / soudés.

4.7 LES ENSEMBLES DE CÂBLES AVEC PINCES DE BATTERIE POUR L'INSTALLATION TEMPORAIRE DE SSW-350-12A ET SSW-600-12A

Pour des raisons de commodité d'utilisation mobile de la basse modèles fonctionnant SSW-350-12A et SSW-600-12A au cours temporaires, les applications stationnaires, la suite de 2 séries de 3 ft, 105°C les câbles de la batterie nominale ont été fournis (10a, Fig 3.1.2) :

- a) Pour SSW-350-12A : AWG n° 12 Câble avec crosse rectangulaire plat (10b, Fig 3.1.2) pour onduleur côté et cosses de batterie pour le côté batterie.
- b) Pour SSW-600-12A : AWG n° 8 câble à la crosse rectangulaire plat (10b, Fig 3.1.2) pour onduleur côté et cosses de batterie pour le côté batterie.

MISE EN GARDE!



Les jeux de câbles ci-dessus ne doit être utilisé que pour les applications stationnaires temporaire / pour charges de ca. de faible puissance comme l'audio portable / Chargeur de téléphone portable / ordinateur portable etc comme les pinces de batterie peut ne pas fournir une connexion de batterie très ferme surtout en milieu non stationnaires. Pour l'application recommandée dans le tableau 4.1.

4.8 RENDRE LES CONNEXIONS CÔTÉ DC

1. Vérifiez que la taille du câble approprié est utilisé comme par les colonnes 7 et 8 du tableau 4.1. Cosses de câble doit être correctement sertie / à la simple soudées extrêmement de câbles pour les connexions sécurisées (veuillez vous reporter à la section 4.6 pour plus de détails).

2. S'assurer que les cosses positive et négative nue de SSW-1000/1500/2000 (figure 3.2.2) sont protégés à l'aide de couvercles en plastique avec écrous à ailettes (10, Fig. 3.2).

3. S'assurer que l'onduleur est HORS tension et qu'aucun des vapeurs inflammables sont présents.

4. Identifier la borne positive (+) et négatifs (-) les bornes de la batterie 12V ou l'autre source de 12 V CC.

5. Installer un porte-fusible à proximité de la borne positive (+) de la batterie (ou autre source CC), de préférence dans un délai de 7" du terminal (voir Fig. 4.2). Lorsque Marine fusible batterie nominale (MRBF) et le bloc de fusibles associé a recommandé à la colonne 5 du tableau 4.1 sont utilisés, le fusible sera installé sur le dessus de la borne positive de la batterie/goujon.

6. Insérer un fusible dans le porte-fusible. Pour les tailles de fusible, veuillez vous référer à la colonne 4 du tableau 4.1.

7. Vérifiez que toutes les connexions sont sécurisées et serrés.

8. Tester l'onduleur par l'activation et le branchement d'un équipement ou de lampe de 100 watts.

9. Si l'inverseur ne fonctionne pas correctement, puis reportez-vous au Section 7, Dépannage du présent manuel.

Le tableau 4.1 fournit des détails sur les câbles de batterie et DC fusibles pour connexion de la batterie à la bornes d'entrée CC du convertisseur (7, 8 dans les figures 3.1.2 et 3.2.2)

Tableau 4.1 Le dimensionnement des câbles et des fusibles pour l'entrée CC

Modèle No.	Courant d'entrée CC nominale	NEC Courant admissible	Ampérage du fusible (Note 1)	La partie. No de fusible MRBF / Ensemble de fusibles	Par Blue Sea Systems	Par Samlex America	Taille de câble jusqu'à 4 ft de batterie pour onduleur (Note 2)	Taille de câble jusqu'à 6 ft de batterie pour onduleur (Note 2)
(1)	(2)	(3)	(4)	(5)	(6)	(7)	(8)	
SSW-350-12A	35A	43.75A	50A	Bloc de fusibles : 5191 Bloc de fusibles : 5177	-	AWG#8	AWG#6	
SSW-600-12A	60A	75A	80A	Bloc de fusibles : 5191 Bloc de fusibles : 5181	-	AWG#6	AWG#4	
SSW-1000-12A	100A	125A	150A	Bloc de fusibles : 5191 Bloc de fusibles : 5185	-	AWG#4	AWG#2	
SSW-1500-12A	150A	187.5A	200A	-	DC-FA-200	AWG#2	AWG#1/0	
SSW-2000-12A	200A	250A	300A	-	DC-FA-300	AWG#2/0 or 2X AWG#2	AWG#2/0 or 2X AWG#2	

Notes pour le Tableau 4.1

1. Intensité nominale du fusible (colonne 4) est basée sur la NEC Courant admissible (colonne 3) = 1,25 fois le courant CC en entrée nominale de l'onduleur (colonne 2).
2. Le dimensionnement des câbles (colonnes 7 et 8) est basé sur : (i) l'ampérage du fusible (colonne 4) ou 2%, selon la période la chute de tension est plus épais (ii) une température ambiante de 30 °C (iii) l'isolation du fil calibrées à 105°C (iv) Câbles acheminés à l'air libre.

4.5 BORNES D'ENTRÉE CC

Les bornes d'entrée CC suivantes ont été fournies :

- SSW-350-12A et SSW-600-12A : vis moléée - taille M4 (7, 8 en Fig 3.1.2). Accepte les cosses rectangulaire plat personnalisée (10b, Fig 3.1.2)

- SSW-1000-12A, SSW-1500-12A et SSW-2000-12A : Goujon et écrou - taille M9 (7, 8 fig 3.2.2). Accepte cosses de timon / l'anneau pour M9 ou taille du goujon de 3/8"

4.6 UNE TERMINAISON DE CÂBLE POUR CONNECTEURS D'ENTRÉE CC

SSW-350-12A et SSW-600-12A

SSW-350-12A: le côté de l'onduleur du câble d'entrée CC doit être résilié avec un personnalisé, Cosses rectangulaire plat (10b, Fig 3.1.2). La cosse s'insère dans la fente rectangulaire dans la borne d'entrée CC (7, 8 fig 3.1.2) et n'est pas serré à l'aide de vis M4. Pour une installation permanente, utilisez la borne ergots (10b, Fig 3.1.2) qui viennent avec le jeu de câbles fourni avec le boîtier (voir section 4.7). Pour cela, couper le câble autour de 2" de l'ergot et raccordez-le au câble approprié pour être utilisé pour une installation permanente (le dimensionnement des câbles selon le tableau 4.1). Utilisation du connecteur d'épissure aboutée appropriée.

Pour le fonctionnement normal du convertisseur, la source d'alimentation CC doit fournir $> 11.0 \pm 0.3V$ et $< 15.3 \pm 0.3V$ et la quantité nécessaire de courant. Cette source d'alimentation doit être une source de courant CC régulière ou un alternateur et une batterie à décharge complète telle que l'on trouve dans les véhicules et les embarcations. La source d'alimentation CC peut également consister de deux batteries de 12 volts ou plus montées en parallèle. Pour les appareils plus importants, la source peut consister de plusieurs batteries reliées en parallèle telles que montrées dans Fig. 4.2.

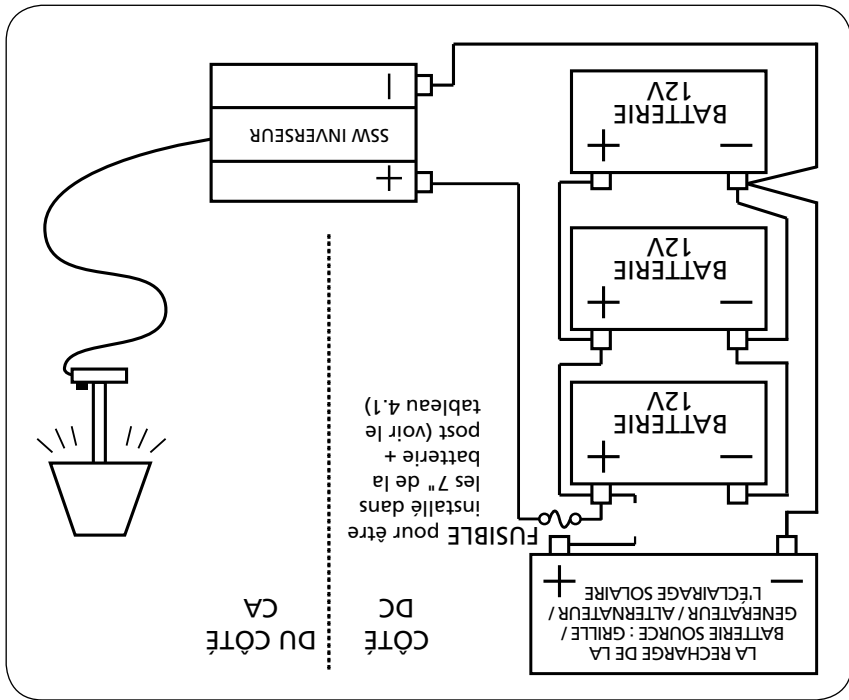


Fig. 4.2 Connexion à une source de la batterie 12V

4.4 ALIMENTATION D'ENTRÉE CC DE BATTERIE 12V OU D'AUTRES 12V D'UNE SOURCE D'ALIMENTATION CC



MISE EN GARDE!

Il est obligatoire d'installer la taille appropriée des Fusibles CC externe comme à proximité de la borne positive de la batterie que possible, de préférence dans un délai de 7 pouces pour protéger contre le risque d'incendie dû à un court-circuit sur le câble de batterie exécuter (voir Fig 4.2). Une batterie est une source de courant qui peut limiter des milliers d'ampères de courant en cas de court-circuit. Si un court-circuit survient dans le parcours de câble à un point entre la batterie et le convertisseur, la section du câble allant de la batterie au point de court-circuit seront nourris avec des milliers d'ampères de courant, la section du câble surchauffera / fondre et est susceptible de provoquer un incendie. Il est donc recommandé que le fusible / fusible Assemblée devrait avoir ampère interrompre (AIC) de capacité d'au moins 10 000 A. Classe-T le fusible / porte-fusible fabriqués par différents fabricants ou Marine fusible batterie nominale (MRBF) faite par Eaton Bussmann et distribué par Samlex Amérique / Systèmes de Mer Bleue peut être considérée.

Veillez noter que côté CC interne des fusibles ont été fournis pour protéger contre les surintensités dans les circuits d'entrée CC interne. Ces fusibles internes ne soufflera pas en raison de court-circuit externe dans le câble de batterie exécuter.

4.2 MONTAGE

Veuillez vous reporter aux figures 3.3 à 3.6 pour les dimensions et détails de montage.

Le convertisseur dispose de quatre emplacements de fixation qui permettent à l'unité d'être fixée contre une cloison, étage, mur ou toute autre surface plane. Idéalement, la surface de montage doivent être froids au toucher. Le convertisseur peut fonctionner dans toutes les positions, cependant, s'il est monté sur un mur, fixe-le horizontalement (Fig. 4a) afin que les cadrans, interrupteurs, prises et blocs bornes situés sur le panneau avant soient visibles et accessibles. Ne pas monter sur le mur dans les positions indiquées à la fig. 4(b) et 4(c) parce que des petits objets métalliques peuvent tomber dans l'unité à travers les fentes de ventilation et provoquer des courts-circuit électrique.

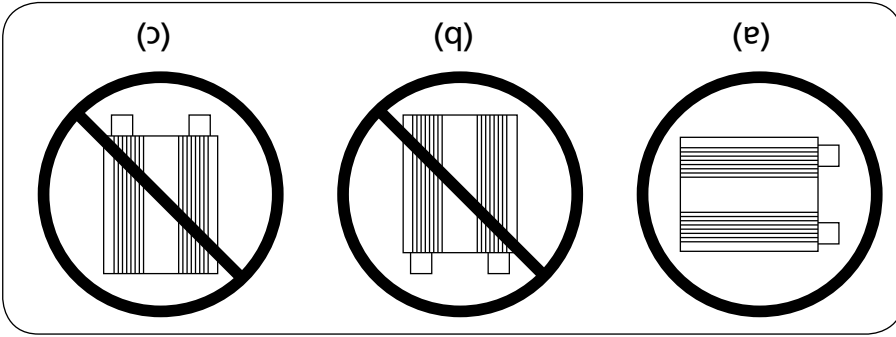


Fig. 4.1 Montage mural



ATTENTION!

Le convertisseur de courant ne doit être connecté qu'à des batteries ayant une sortie de voltage nominale de 12 V. L'unité ne fonctionnera pas à partir d'une batterie de 6 volts et subira des dégâts permanents si elle est connectée à une batterie de 24 volts.



ATTENTION!

Des connexions mal serrées peuvent provoquer une surchauffe des fils et la fusion de l'isolation. Vérifiez pour vous assurer que vous n'avez pas inversé la polarité. Une polarité inversée fera sauter le fusible et pourrait causer des dégâts permanents au convertisseur. Les dégâts provoqués par une polarité inversée ne sont pas couverts par la garantie.

4.3 EXIGENCES DE LA SOURCE D'ALIMENTATION EN CC

La source d'alimentation en courant continu (CC) doit fournir $> 11.0 \pm 0.3V$ et $< 15.3 \pm 0.3V$ CC et doit être à même de fournir le courant pour faire fonctionner la charge. La source d'alimentation peut être une batterie ou une source de CC régulière. Pour obtenir une évaluation approximative du courant que la source d'alimentation doit fournir (en ampères), il suffit de diviser la consommation de courant de la charge (en watts CA) par 10.

Exemple : si une charge est classée à 100 watts CA, la source d'alimentation en CC doit pouvoir fournir : $100 / 10 = 10A$

Le convertisseur vous fournira 115 VAC de base lorsqu'alimenté par une source de 12 VCC telle que celle trouvée dans une configuration de véhicule ou de multiples batteries tel que montré dans la Fig. 2. Ce manuel ne décrit pas tous les types possibles de configurations de batterie, de charge ou d'isolation.



MISE EN GARDE!

1. Avant de faire l'installation, veuillez lire les «Consignes de Sécurité».
2. On recommande que l'installation soit faite par un(e) électricien(ne) CERTIFIÉ(E).
3. Il y a plusieurs consignes trouvées dans ce guide qui ne sont pas toujours applicables si une norme nationale ou locale en prend place, concernant par exemple l'endroit d'installation ou à l'usage de l'appareil. Quelques exemples sont écrites ci-dessous.

4.1 LIEU D'INSTALLATION

Veuillez assurer que vous suivez les consignes suivantes:

Environnement de travail : utilisation en intérieur.

Fraîcheur: La chaleur est néfaste pour l'équipement électronique. Donc, veuillez assurer que l'unité est installée dans un endroit frais qui est à l'abri de la lumière directe du soleil et, est éloignée des autres dispositifs qui produisent de la chaleur.

Bien aéré: L'unité est refroidie par convection et par refroidissement forcé par 2-Vitesse, charge le(s) ventilateur(s) contrôle (9) dans les figures 3.1.2 & 3.2.2). SSW-350 et 600 1 ventilateur et SSW-1000, 1500 et 2000 ont 2 ventilateurs.

Le(s) ventilateur(s) va s'exécuter dès que l'unité est allumée - à vitesse lente à partir d'aucune charge/à des charges

jusqu'à 10 % de la puissance nominale de l'onduleur et à pleine vitesse par la suite. Le(s) ventilateur(s) attire l'air

frais provenant des orifices d'admission d'air à l'avant (9(b) dans les figures 3.1.1 et 3.2.1) et les rejets de l'air chaud

à travers les ouvertures d'échappement à côté du ventilateur (9(a) dans les figures 3.1.2 et 3.2.2). Pour éviter l'arrêt

de l'onduleur en raison de la surchauffe, ne pas obstruer ni recouvrir les ouvertures d'échappement / d'aspiration

ces ou d'installer l'unité dans une zone avec flux d'air limité. Maintenir un dégagement minimum de 10" autour de

l'unité pour assurer une ventilation adéquate. Si elle est installée dans un boîtier, ouvertures doivent être fournis dans

l'enceinte, directement en face de l'air et de l'air d'aspiration de l'échappement des ouvertures du convertisseur.

Sec: Il faut que l'unité soit à l'abri de l'eau, de la condensation ou n'importe quelle liquide qui pourrait la pénétrer ou tomber dessus.

Propre: L'endroit doit être à l'abri de la poussière et de la fumée. Assurez qu'il y aucune présence d'insectes ou de rongeurs. Ils pourraient entrer dans l'unité et bloquer les ouvertures de ventilation ou court-circuiter les circuits internes.

Protection contre l'incendie: L'unité n'a pas de protection ignifuge et devrait pas être placée là où se trouve des liquides inflammables comme l'essence, le propane ou, près d'un compartiment contenant des moteurs alimenté par essence. Gardez pas des matériaux inflammables/combustibles (papier, tissu, plastique, etc.) qui serait enflammés par la chaleur, des étincelles ou flammes.

Proximité à la banque de batteries: Mettez l'unité au plus près possible afin de prévenir une chute de tension excessive dans les câbles de batterie causant une perte de puissance et un moindre rendement. Pourtant, il faut pas l'installer dans le même compartiment que les batteries (inondées, cellules mouillées) ni la montez quelque part à l'exposition des vapeurs acides corrosives ou, de gaz inflammable (l'Oxygène et l'Hydrogène sont produits lorsque des batteries sont rechargées). Ces vapeurs pourront corroder et endommager l'unité et, les gaz vont accumuler s'il sont pas ventilés, mais pourraient s'enflammer ou s'exploser.

Accessibilité: Ne bloquez pas le panneau frontal. Aussi, gardez les réceptacles CA et les connexions/bornes de câblage CC bien dégagées, car il va falloir les inspecter ou les serrer de temps en temps.

Prévention de l'interférence de Fréquence Radio (IFR): Cette unité se sert des circuits de commutation à haute puissance qui génèrent de l'IFR. Ceci est limité en fonction des normes requises. Situez des équipements électroniques susceptibles à IFR au plus loin possible de l'onduleur.

SECTION 3 | Disposition et dimensions

3.2 DIMENSIONS

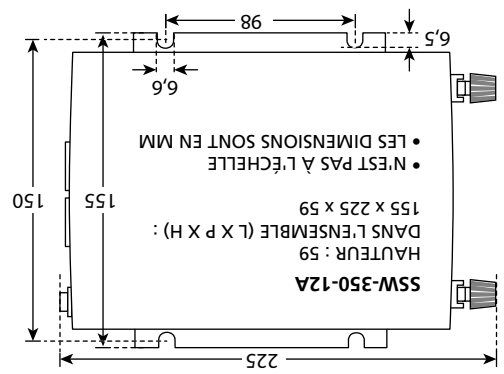


Fig. 3.3 Dimensions: SSW-350-12A

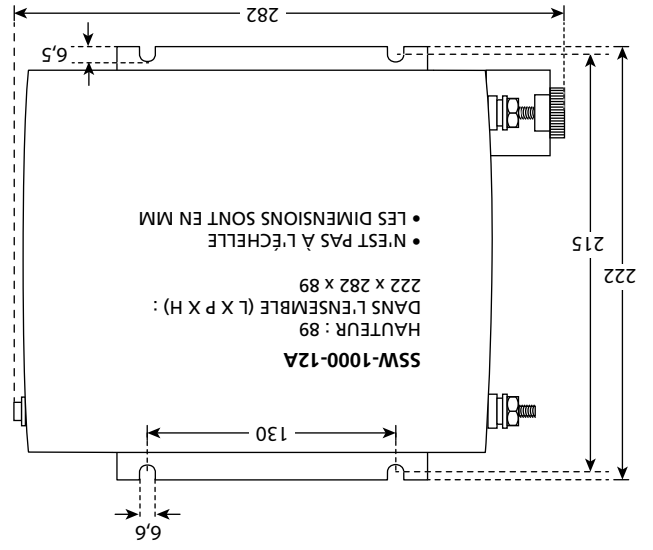


Fig. 3.5 Dimensions: SSW-1000-12A

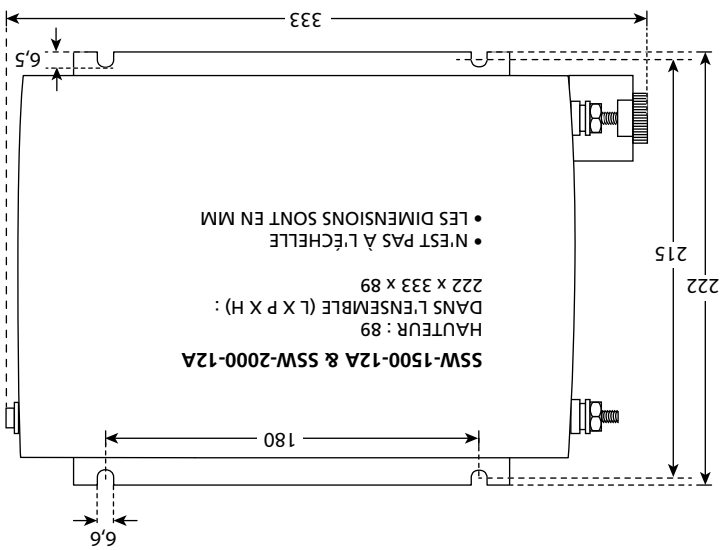


Fig. 3.6 Dimensions: SSW-1500-12A & SSW-2000-12A

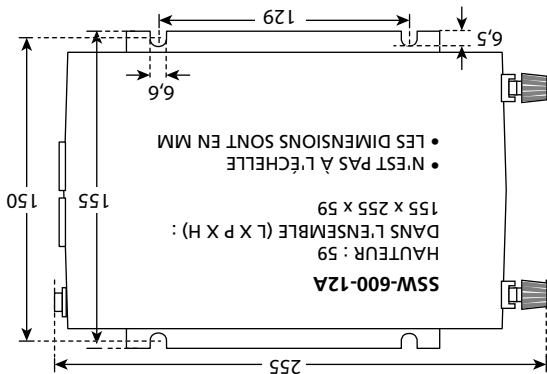


Fig. 4 Dimensions: SSW-600-12A

SECTION 3 | Disposition et dimensions

3.1.2 SSW-1000-12A, SSW-1500-12A and SSW-2000-12A

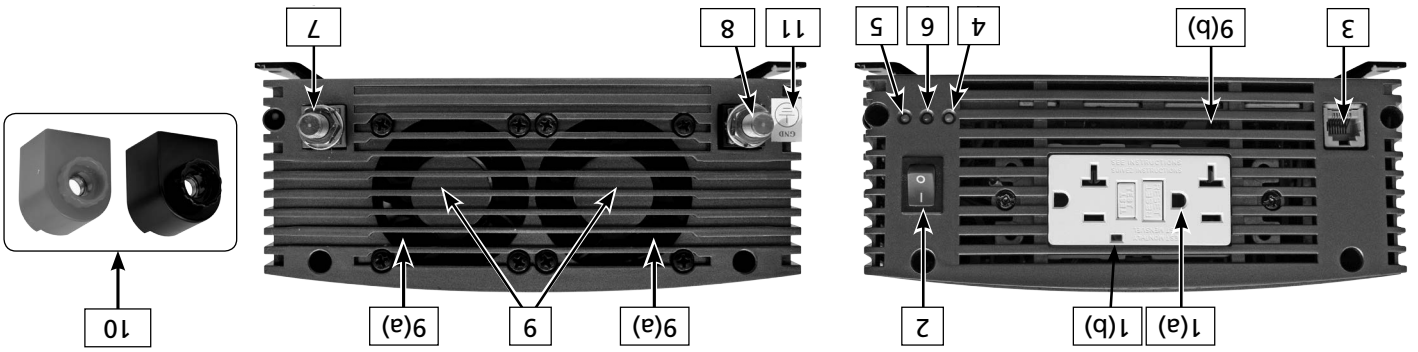


Fig. 3.2.1 Avant de l'unité

Fig 3.2.2 Arrière de l'unité

Légende Figure 3.2.1 et 3.2.2

- 1(a). Points de vente : NEMA5-20AC R réceptifs GFCI Duplex
- 1(b). Voyant vert sur le FGIC réceptifs. Seront sur lorsque normal. S'éteint lorsqu'il est déclenché
2. Interrupteur MARCHÉ/ARRÊT
3. 8P8C (également appelée prise modulaire RJ-45) pour connecter le modèle de contrôle à distance SSW-R1-12B
4. Voyant jaune : est allumé au cours (i) shutdown en cas de surchauffe (ii) alarme due à faible tension en entrée CC (iii) fermées en raison de la tension d'entrée c.c. faible et (iv) fermées en raison de la forte tension en entrée CC
5. Voyant vert : s'allume quand le DC La section fonctionne normalement
6. Voyant rouge : est allumé au cours (i) s'éteindre en raison d'une surcharge et (ii) s'arrêter en raison d'un défaut à la terre dans la charge.
7. Connecteur d'entrée CC positive : le goujon et l'écran - taille M9
8. Connecteur d'entrée CC négative : Goujon et écran - taille M9
9. Ventilateur de refroidissement [derrière la grille du ventilateur 9(a)]
- 9(a). Des grilles de ventilation du ventilateur (des ventilateurs d'air (9) est déchargé vers l'extérieur)
- 9(b). Les fentes d'aération pour que l'admission d'air des ventilateurs de refroidissement (9)
10. Couvriles en plastique avec écrous à ailettes pour protéger les bornes d'entrée CC - rouge pour le positif et noir pour négatif
11. Le symbole de mise à terre. Le châssis métallique de l'onduleur est intrinsèquement lié à la borne d'entrée CC négative (8). Brancher la borne d'entrée CC. négatif (8) sur l'onduleur ou à la borne négative de la batterie sur la batterie à la masse

SECTION 3 | Disposition et dimensions

3.1 MISE EN PAGE

3.1.1 SSW-350-12A, SSW-600-12A

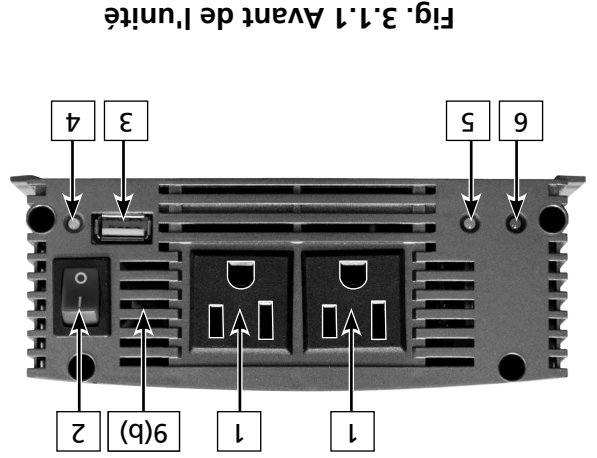


Fig. 3.1.1 Avant de l'unité

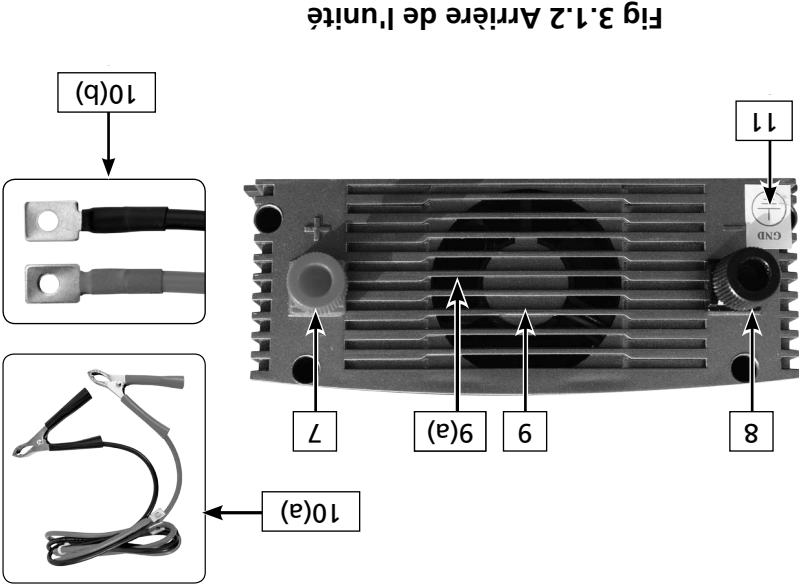


Fig 3.1.2 Arrière de l'unité

1. AC : 2 x sorties NEMA5-15R
2. Interrupteur MARCHÉ/ARRÊT
3. La charge USB Port = + 5V, 500mA
4. Voyant jaune : est allumé au cours (i) shutdown en cas de surchauffe (ii) alarme due à faible tension en entrée CC (iii) fermées en raison de la tension d'entrée c.c. faible et (iv) fermées en raison de la forte tension en entrée CC
5. Voyant vert : s'allume quand le DC La section fonctionne normalement
6. Voyant rouge : est allumé au cours (i) s'éteindre en raison d'une surcharge et (ii) de l'arrêt en raison de défaut à la terre dans la charge
7. Connecteur d'entrée CC positive : la vis à oreilles - taille M4
8. Connecteur d'entrée CC négative : vis moletée - taille M4
9. Ventilateur de refroidissement [derrière la grille du ventilateur 9(a)]
- 9(a). Grille de ventilation du ventilateur (l'air du ventilateur (9) est déchargé vers l'extérieur)
- 9(b). Les fentes d'aération pour que l'admission d'air du ventilateur de refroidissement (9)
- 10(a). L'ensemble de câbles pour la connexion de la batterie temporaire : 3 ft, 105 ° C nominal fils positif et négatif avec cosses rectangulaire plat (10b) pour onduleur côté et cosses de batterie pour le côté batterie. Tailles de fil : (i) AWG #12 pour SSW-350-12A et (ii) AWG #8 pour SSW-600-12A
- 10(b). Cosses de rectangulaires planes sur le jeu de câbles 10(a) pour le raccordement de terminaux d'entrée CC sur le convertisseur
11. Le symbole de mise à terre. Le châssis métallique de l'onduleur est intrinsèquement lié à la borne d'entrée CC négatif (8) sur l'onduleur ou à la borne négative de la batterie sur la batterie mise à la terre.

SECTION 2 | Les caractéristiques de conception et principe de fonctionnement

2.5 LA FORME D'ONDE DE SORTIE

La forme d'onde de sortie CA des séries de convertisseurs SSW est connue sous le nom d'«onde sinusoïdale pure» ou «onde sinusoïdale véritable». C'est une forme d'onde ayant les mêmes caractéristiques que la forme d'onde sinusoïdale du réseau de distribution public d'électricité. (Voir Fig. 2.1). Onde sinusoïdale modifiée est également présentée à titre de comparaison.

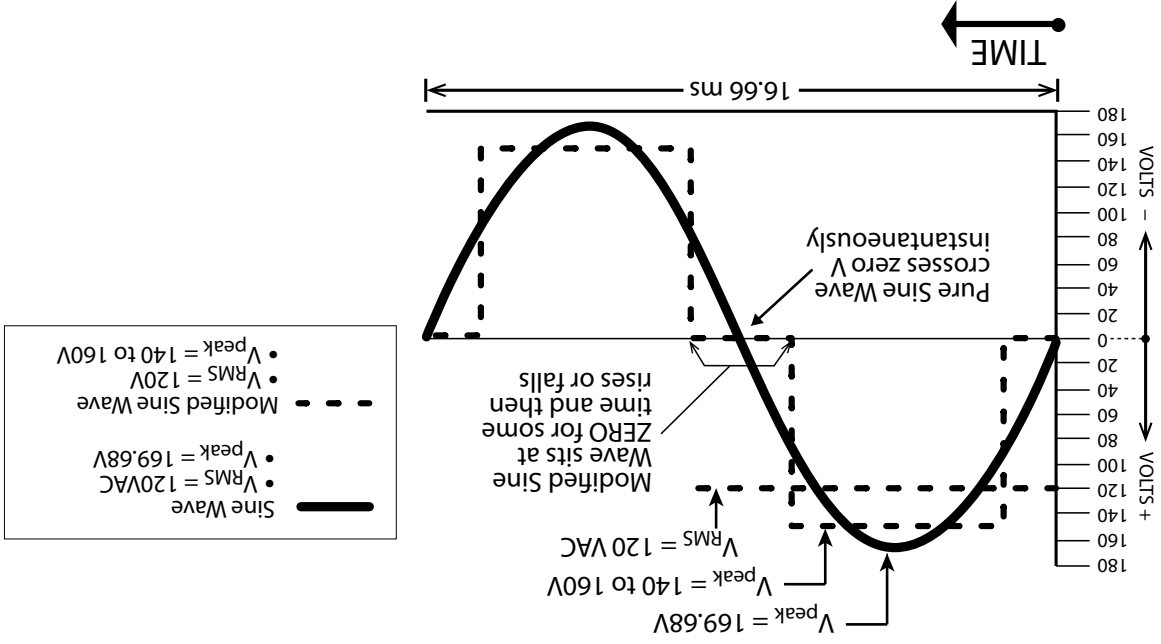


Fig. 2.1 Pure et formes d'onde sinusoïdale modifiée pour 115V, 60HZ

SECTION 1 | Instructions importantes concernant la sécurité

1.5 INFORMATIONS IMPORTANTES CONCERNANT LE CÂBLAGE

Des convertisseurs installés avec câblage de calibre inapproprié par rapport à la longueur et à la quantité de courant devant être acheminé entraînent une perte de puissance importante et un temps réduit de fonctionnement de la batterie. Le courant circulant le long d'un câble produit une chute de voltage due à la résistance du câble et à la quantité de courant transporté. La résistance du câble est inversement proportionnelle à la section transversale du câble (designée en mm² ou AWG – calibre américain normalisé des fils) et directement proportionnel à sa longueur p. ex., un câble plus mince et plus long offre une plus grande résistance et donc entraîne une plus grande baisse de voltage. Parallèlement, un câble plus épais et plus court offre une faible résistance et par conséquent entraîne une baisse de basse tension. Par conséquent, les symptômes de faible tension continue d'entrée / puissance de la batterie peuvent être produits par des câbles excessivement longs ou une section transversale insuffisante (designée en mm² ou AWG). Le fils doit être dimensionné en fonction (i) le courant maximum qu'ils sont tenus de procéder en se fondant sur la cote de température de leur isolement et (ii) la distance entre la batterie et le convertisseur pour limiter la chute de tension de 2 % à 5 %. Veuillez consulter le tableau 4.1 pour le dimensionnement de fil.

Les câbles sont classés en fonction de leur isolation, de la température et de l'environnement de fonctionnement. Veuillez vous assurer que l'isolation du câble est du type approprié à l'environnement de fonctionnement.

L'installateur/opérateur doit être particulièrement informé des exigences requises pour entretenir de façon sécuritaire des connexions électriques étanches et voir à la protection des câbles CC et le câblage des appareils.

SECTION 2 | Les caractéristiques de conception et principe de fonctionnement

2.1 GENERAL

Le convertisseur transforme la basse tension CC (courant continu) d'une batterie ou d'une autre source d'alimentation CC en courant nominal standard de 115 volts CA (courant alternatif) de l'alimentation d'un ménage.

2.2 CARACTÉRISTIQUES DE CONCEPTION

- Haut rendement
- De taille compacte
- Courant de repos bas
- Technologie Soft Start
- Contrôle à distance ACL (affichage à cristaux liquides) (pour les modèles 1000 W, 1500 W et 2000W).

2.3 PUISSANCE NOMINALE

Les puissances nominales continues selon les modèles sont les suivantes :

- SSW-350-12A - 350 Watts
- SSW-600-12A - 600 Watts
- SSW-1000-12A - 1000 Watts
- SSW-1500-12A - 1500 Watts
- SSW-2000-12A - 2000 Watts

2.4 PRINCIPE DE FONCTIONNEMENT

Le convertisseur transforme l'énergie en deux étapes. La première étape consiste en un processus de conversion de CC à CC qui augmente la basse tension CC à l'entrée du convertisseur à une haute tension CC d'environ 150 VCC. La deuxième étape est le stage du convertisseur proprement dit, qui transforme la haute tension CC en 115 VCA, 60 Hz CA (RMS). L'étape du convertisseur CC à CC utilise des techniques modernes de conversion de haute fréquence qui ont remplacé les convertisseurs encombrants que l'on retrouve dans les modèles de technologies moins avancées. Le stage de conversion utilise des transistors de pointe MOSFET dans une configuration tête-bêche à haute fréquence.

SECTION 1 | Instructions importantes concernant la sécurité

7. Ce n'est pas un jouet - Tenir hors de portée des enfants.
8. N'insérez aucun objet dans les orifices de ventilation ou dans l'ouverture du ventilateur(s).



1. Le châssis métallique et la borne négative d'entrée de l'inverseur sont connectés en interne à la masse les bornes de l'AC outlets. **Par conséquent, la prise négative du terminal devrait être utilisée comme borne de terre.** Ne pas l'utiliser avec la prise positive des systèmes électriques de mise à la terre (la plupart des voitures modernes, les véhicules de camping, les camions et les bateaux ont des systèmes électriques de mise à la terre négative).
 2. Utiliser spécifiquement la liaison d'alimentation positive au sein de 7" de la borne positive de la batterie. Voir le tableau 4.1 et la figure 4.2.
 3. Lorsque vous connectez les bornes aux prises CC du convertisseur vers la batterie, observez une polarité appropriée. Connectez le pôle positif de la batterie à la prise de connexion positive du convertisseur et le pôle négatif de la batterie à la prise de connexion négative du convertisseur. **Une connexion à polarité inversée ferait sauter le fusible et pourrait causer des dommages irréparables au convertisseur. Les dommages causés par une polarité inversée ne sont pas couverts par la garantie.**
 4. Ce convertisseur ne pourra faire fonctionner des appareils de forte puissance qui dépassent la limite de courant de la prise ou la limite de surtension.
 5. Si la borne Neutre de la prise CA du SSW-350-12A ou SSW-600-12A est mise à la terre, l'onduleur se ferme. Semblablement, si la borne Neutre de la prise du disjoncteur des onduleurs SSW-1000, 1500 ou 2000 va déclencher le disjoncteur. Donc, connectez pas la sortie CA à une centre de charge/panneau de distribution si le neutre est mis à la terre.
6. **Environnement d'installation**
 - Le convertisseur doit être installé en intérieur uniquement dans un local bien ventilé, cool, environnement sec.
 - Ne pas exposer à l'humidité, la pluie, la neige ou les liquides de tout type.
 - Afin de réduire le risque de surchauffe et d'incendie, ne pas obstruer l'ouverture d'aspiration et de décharge du ventilateur de refroidissement(s).
 - Afin de garantir une ventilation correcte, ne l'installez pas dans un compartiment à faible dégagement.
7. **Précautions à prendre lors de travaux avec des batteries**
 - Les piles contiennent très corrosif de l'acide sulfurique dilué comme électrolyte. Des précautions devraient être prises pour prévenir tout contact avec la peau, les yeux ou les vêtements.
 - Les batteries produisent de l'hydrogène et d'oxygène pendant la charge résultant de l'évolution de mélange de gaz explosifs. Le soin devrait être pris pour ventiler la zone de batterie et suivre les recommandations du fabricant de la batterie.
 - Ne fumez jamais ou permettre à une étincelle ou une flamme à proximité des batteries.
 - Faire preuve de prudence afin de réduire le risque de chute d'un outil métallique sur la batterie. Il pourrait susciter ou court-circuiter de la batterie ou d'autres pièces électriques et pourrait provoquer une explosion.
 - Retirer les articles en métal tels que bagues, bracelets et montres lors de travaux avec des batteries. Les batteries peuvent produire un courant de court circuit suffisamment élevé pour souder un anneau ou similaires de métal et, par conséquent, causer de graves brûlures.
 - Si vous devez retirer une batterie, retirez toujours la borne de masse (négative) de la batterie en premier. Assurez-vous que tous les accessoires sont désactivés de sorte que vous n'avez pas provoquer une étincelle. Ce convertisseur n'a pas été testé pour son utilisation avec des appareils médicaux.
- 8.

SECTION 1 | Instructions importantes concernant la sécurité

1.1 CE MANUEL CONTIENT DES INFORMATIONS IMPORTANTES CONCERNANT LA SÉCURITÉ, LE FONCTIONNEMENT, L'ENTRETIEN ET L'ENTREPOSAGE DE CE PRODUIT. AVANT DE L'UTILISER, LISEZ ET ASSUREZ-VOUS DE BIEN COMPRENDRE TOUTS LES AVERTISSEMENTS ET LES MISES EN GARDE, LES INSTRUCTIONS ET LES ÉTIQUETTES DU PRODUIT AINSI QUE LES DIRECTIVES DU FABRICANT DE LA BATTERIE DE VOTRE VÉHICULE. NE PAS S'Y CONFORMER POURRAIT ENTRAÎNER DES BLESSURES OU DES DOMMAGES MATÉRIELS.

1.2 Pour assurer un service fiable, votre convertisseur de courant doit être installé et utilisé de manière appropriée. Veuillez lire attentivement les instructions d'installation et de fonctionnement avant de l'installer et de l'utiliser. Portez une attention particulière aux avis d'AVERTISSEMENT et de MISE EN GARDE de ce manuel. Les avis de MISE EN GARDE vous indiquent certaines conditions et pratiques pouvant entraîner des dommages à votre convertisseur. Les avis d'AVERTISSEMENT indiquent des conditions et des pratiques pouvant entraîner des blessures. Lisez toutes les instructions avant d'utiliser ce convertisseur de courant!

1.3 MISE EN GARDE!



POUR RÉDUIRE LES RISQUES D'INCENDIE, DE DÉCHARGE ÉLECTRIQUE, D'EXPLOSION OU DE BLESSURE

1. La puissance AC de l'unité ne doit jamais être connectée directement à un disjoncteur électrique / Centre de charge qui est également alimentée par l'utilitaire d'alimentation / le générateur. Un tel lien peut résulter en fonctionnement en parallèle des différentes sources d'alimentation et cordon d'alimentation de l'utilitaire / générateur va être réinjectées dans l'unité qui va instantanément des dommages de la section des sorties de l'unité et peuvent également poser un danger d'incendie et de sécurité. Si un disjoncteur électrique / Centre de charge est alimentée par cette unité et ce panneau est également requis pour être alimenté à partir d'autres sources supplémentaires AC sources, le cordon d'alimentation de toutes les sources de courant AC (comme l'utilitaire / générateur / cet onduleur) devraient d'abord être transmise à un sélecteur automatique/manuel et la sortie du sélecteur doit être connecté à l'disjoncteur électrique / Centre de charge. Samlex America, Inc. No de modèle de commutateur de transfert automatique STS-30 est recommandé pour cette application.
2. Travailler avec l'unité peut produire des arcs ou d'étincelles. Ainsi, l'unité ne doit pas être utilisé dans des zones où il y a des matériaux inflammables ou les gaz nécessitant une protection contre l'inflammation de l'équipement. Ces domaines peuvent inclure des espaces contenant des machines fonctionnant à l'essence, les réservoirs de carburant, les compartiments de batterie et les compartiments moteur.
3. Dans SSW-350-12A et SSW-600-12A, la borne neutre de deux NEMA outlets est R5-12 isolée électriquement de sa borne de masse et aussi du châssis métallique de l'onduleur. Par conséquent, la borne neutre sera à tension élevée d'environ 66 ACC en ce qui concerne la borne de masse et avec respect au châssis métallique de l'onduleur.
4. Dans SSW-1000-12A, SSW-1500-12A et SSW-2000-12A, les bornes neutres de la double NEMA prises AC GFCI R5-20 sont collés à leurs bornes de masse et aussi au châssis métallique de l'onduleur. Par conséquent, les bornes neutres des établissements seront à 0V à l'égard de leurs bornes de masse et avec respect au châssis métallique de l'onduleur.
5. Avant de travailler sur une charge CA connectés à l'onduleur, éteindre l'onduleur, ou retirez le cordon d'alimentation de l'AC la charge du convertisseur ou de la plaque de sortie multiples connectés à l'onduleur. Couper la charge CA ou de la multiprise disjoncté uniquement la "ligne / Hot" ligne. Toutefois, la ligne neutre reste connecté. Comme indiqué au Section 2 ci-dessus, dans SSW-350-12A et SSW-600-12A, l'SSW sera neutre au 60V par rapport à la masse châssis. Par conséquent, il suffit de toucher n'importe quelle section de la charge connectée à la position neutre produira un choc électrique !
6. Ne pas effectuer des branchements électriques quelconques ou de déconnexions dans les zones désignées comme protégées contre l'incendie. Cela comprend 12 VCC cigarette les connexions, et les connexions de borne.

SECTION 1 Instructions importantes concernant la sécurité 3

SECTION 2 Les caractéristiques de conception et principe de fonctionnement 5

SECTION 3 Disposition et dimensions 7

SECTION 4 Installation 10

SECTION 5 Fonctionnement 15

SECTION 6 Protections 18

SECTION 7 Guide de dépannage 20

SECTION 8 Remplacement des fusibles 23

SECTION 9 Caractéristiques 24

SECTION 10 Garantie 25

Exclusion de responsabilité

SAUF ACCORD ÉCRIT, SAMLEX AMERICA, INC. :

1. N'OFFRE AUCUNE GARANTIE QUANT À L'EXACTITUDE, L'EXHAUSTIVITÉ OU LA PERTINENCE DE TOUTE TECHNIQUE OU D'AUTRES INFORMATIONS FOURNIES DANS SES MANUELS OU D'AUTRES DOCUMENTS.

2. N'ASSUME AUCUNE RESPONSABILITÉ OU RESPONSABILITÉ POUR LES PERTES, DOMMAGES, COÛTS OU DÉPENSES, QU'IL S'AGISSE DE PARTICULIERS, DIRECTS, INDIRECTS, CONSÉCUTIFS OU ACCESSOIRES, QUI POURRAIENT DÉCOULER DE L'UTILISATION DE TELLES INFORMATIONS. L'UTILISATION DE CES RENSEIGNEMENTS SERONT ENTièrement À L'UTILISATEURS RISQUE.

Samlex Amérique se réserve le droit de réviser ce document et à procéder périodiquement à apporter des modifications au contenu sans obligation de telle révisions ou modifications.

Avis de droit d'auteur/Mention de réserve de droit d'auteur

Copyright © 2016 par Samlex America, Inc. Tous droits réservés. L'autorisation de copier, distribuer et/ou modifier ce document est interdite sans l'autorisation expresse et écrite de Samlex America, Inc.

SSW-350-12A
SSW-600-12A
SSW-1000-12A
SSW-1500-12A
SSW-2000-12A

Convertisseur de
courant continu
alternatif à onde
sinusoïdale pure

Manuel du
propriétaire

Veillez lire ce
manuel avant
de faire fonc-
tionner votre
convertisseur

samlexpower®

