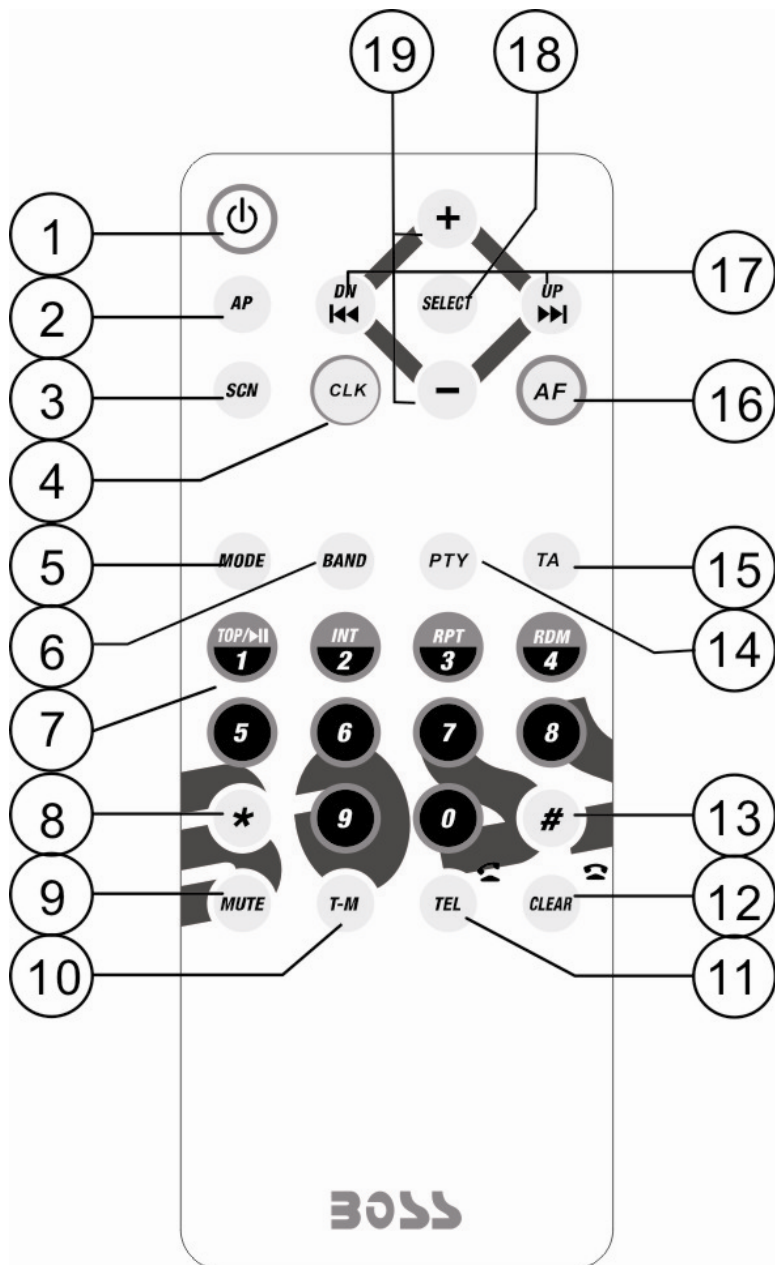


INSTRUCTION MANUAL

MR752UAB

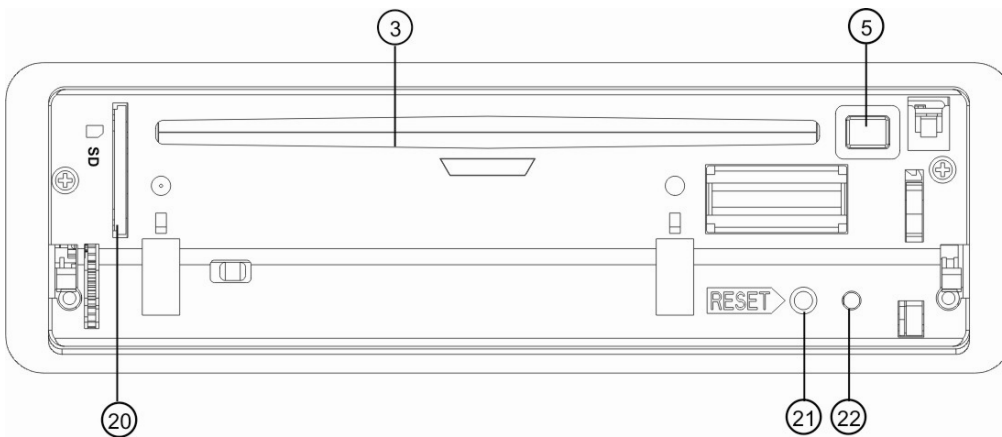
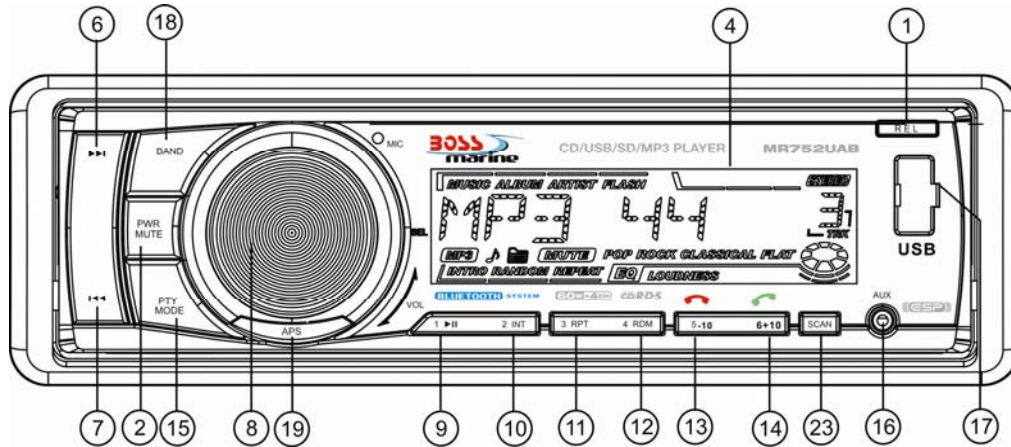
**ANTI-THEFT DETACHABLE SYSTEM
CD/MP3/WMA PLAYER,USB PORT
WITH ELECTRONIC ANTI-SHOCK FUNCTION,
BLUE-TOOTH HANDS-FREE SYSTEM,
AM/FM-RDS DIGITAL PLL TUNING RADIO**

DESCRIPTION OF BUTTONS ON REMOTE CONTROL



1. POWER button
2. A.P button
3. SCN(SCAN) button
4. CLK button
5. MODE button
6. BND(BAND) button
7. Number(0~9) buttons
8. * button
9. MUTE button
10. T-M button
11. TEL button
12. CLEAR button
13. # button
14. PTY button
15. TA button
16. AF button
17. >>/ DN and <</ UP buttons
18. SEL button
19. + and - buttons

LOCATION AND FUNCTION OF CONTROLS



- | | |
|----------------------------|------------------------|
| 1. RELEASE BUTTON | 13. 5/ HANGD UP button |
| 2 .POWER/MUTE BUTTON | 14. 6/ TEL button |
| 3. CD slot | 15. PTY/ MODE |
| 4. LCD | 16. AUX INPUT Jack |
| 5. EJECT button | 17. USB Port |
| 6&7. >> or << buttons | 18. BAND button |
| 8. SEL button and VOL knob | 19. APS button |
| 9. 1/TOP/> button | 20. SD Card slot |
| 10. 2/INT button | 21. RESET button |
| 11. 3/RPT button | 22. LED Indicator |
| 12. 4/RDM button | 23. SCAN button |

Common Operation:

1. To turn on/off the unit
 Press any button except the EJECT/ RELEASE button to turn on the unit. The unit will also turn on when a disc, SD card or USB stick is inserted.
 Press and hold the power button for more than 0.5 seconds to turn off the unit.
2. To select playback mode
 Press MODE button to select RADIO (TUNER) , DISC, CARD(after inserting SD card), USB(after inserting USB stick) and AUX mode.

3. To adjust the volume level

Rotate the VOL knob to adjust the volume level during playback.

4. To mute or resume the sound

Press the MUTE button to eliminate or resume the sound immediately during playback.

To resume the sound immediately, user can also rotate the VOL knob.

5. To select and adjust the mode of the sound and menu

A) To select and adjust the sound mode:

Press SEL button shortly and repeatedly to select the mode of VOL(volume), BAS(bass), TRE(treble), BAL(balance) and FAD(fader) in the sequence and circulation.

In each mode, the waiting time is about 5 seconds, and when the waiting time is over, it will return to the last display mode.

After select a desired sound item, rotate VOL knob to adjust level of the selected sound item.

B) To select and adjust the menu mode:

Press SEL button and hold for about 2 second to turn on MENU mode, and the LCD will display

INVOL, then press SEL button repeatedly to select DSP/BEEP (ALL/OFF/2ND)/TAVOL/EON

(ON/OFF) /REG (ON/OFF) /AF(ON/OFF)/TA(ON/OFF) /EQ (ON/OFF)/LOUD(ON/OFF)/LOC

(ON/OFF, only for FM mode) /MONO/STEREO(only for FM mode) /AREA(EUR/USA)

After selecting a desired mode, rotate the VOL knob to select one setup item of the desired mode.

DSP: in this mode, you can set the clock time. Rotate the VOL knob clockwise/counter clockwise to adjust the hours/minutes.

BEEP ALL: the beep is generated when every key is pressed(except the power button, REL key and EJECT key).

BEEP 2ND: the beep is only generated when an allotted double key is pressed long(1second).

BEEP OFF: the beep sound is disabled.

TAVOL: This function is to set the TA volume level from 0-45. When TA function is activated, if a TA program is tuned in at the volume level set regardless of the volume of the other source at the time.

EON: In RDS mode, when EON is ON, the EON programs will scan automatically.

Select EON OFF to stop the scan.

LOUD: When the volume level is below half level, select LOUD ON mode to enhance bass sound. It is advised that LOUD ON mode not be select when the volume level is high.

LOC: LOC ON mode improves reception in some areas where the signal is too strong.

(Note:LOC function only for FM mode.)

STEREO/MONO: Select STEREO mode to improve the sound effect. Select MONO mode to decrease noise and make the sound more clear when the station signal is weak.

6. To reset the system

Before operating the unit for the first time, or after replacing the car battery or changing the connections, you must reset the unit,

Press the RESET button with a cuspidal object. This operation will erase the clock setting and some stored contents.

7. To remove the front panel

Press the REL button to flip down the front panel from the unit chassis, then pull it up a little to remove it from the unit. And the anti-theft LED indicator will flash all the time till the front panel is assembled back.

Radio Operation:

1. To select radio band

In RADIO mode, press the BAND button shortly and repeatedly to select your desired radio band in sequence and circulation as follows:

-->FM1-->FM2-->FM3-->AM1-->AM2-->

2. To select for radio station manually or automatically

Press >>| or |<< button to automatically search up or down for radio station frequency,

Press >>| or |<< button and hold for about 2 seconds to activate MANUAL searching mode.

Then press >>| or |<< button repeatedly to manually search up or down for your desired station from the current frequency. (If in MANUAL Mode and without further operation, the unit will change to AUTO mode a few seconds later.)

3. To store the current station or turn on the preset station In RADIO mode:

A) Press one of 1-6 number buttons and hold for about 1 second to store the current station in the preset memory bank of the number button for the current band.

When a RDS station is being stored, PI, PS, AF list are stored.

B) Press one of 1-6 number buttons to turn on the preset station stored in the preset memory bank of the number button for the current band.

In RDS mode, the strongest AF is turned on after AF searching.

4. To automatically store for the strongest stations and scan for each stations

A) Press APS button and hold for about 1 second, it will search from the current frequency and check the signal strength until 1 cycle search is finished on current band. Then, the 6 strongest available stations will be preset to the corresponding preset numbers. When the Auto-storage operation is completed, it will execute the Preset Scan continuously.

B) Press the APS button to scan all preset stations in the memory of the current band and stay on each memory stations for about 5 seconds.

To stop preset scan, press this button again.

C) Press the SCAN button to scan the radio frequency. If a valid signal has detected, the current frequency will be hold and blinking for 5 seconds, then press SCAN again to stop and remain the current frequency; otherwise, the radio will go on to scan the other radio frequency 5 seconds later.

5. To tune for RDS station

Press and hold PTY button for about 1 second, the PTY group is on, then rotate the VOL knob to select one of the following mode:

<-->NEWS<-->AFFAIRS<-->INFO<-->SPORT<-->EDUCATE<-->DRAMA<-->CULTURE

<-->SCIENCE<-->VARIED<-->WEATHER<-->FINANCE<-->CHILDREN<-->SOCIAL

<-->RELIGION<-->PHONE IN<-->TRAVEL<-->LEISURE<-->DOCUMENT<-->ALARM

<-->POP M<-->ROCK M<-->EASY M<-->LIGHT M<-->CLASSICS<-->OTHER M

<-->JAZZ<-->COUNTRY<-->NATION M<-->OLDIES<-->FOLK M<-->TEST

After selecting one of the PTY programs, press >>| or |<<,it will automatically search for the station of the PTY program. If the station of the PTY program does to exist, it will display PTY NONE and then return back to the previous radio.

6. To alternate the weak signal in RDS station with a strong one

Press SEL button and hold for about 1 second to turn on MENU mode, then press SEL button repeatedly to select AF mode, rotate the VOL knob to select AF ON, then AF flash in display.

When AF switching mode is selected, the radio checks the signal strength of AF all the time. The

interval of checking time of each AFs depends on the signal strength of current station, from a few minute for strong station to a few seconds for weak station. Every time that new AF is stronger than current station, it switches over to that frequency for very short time, and NEW FREQUENCY is displayed for 1-2 second. Because the mute time of AF switching or checking time is very short, it is almost inaudible in case of normal program. (When AF flashes on LCD, it will search for RDS station. If AF and TP flash on LCD, it can only search for traffic announcement station) .

During FM mode, when AF is on, SEEK, (SCAN), AUTOMEMORY function can only receive and save RDS program.

7. TA [TRAFFIC ANNOUNCEMENT]

Press SEL button and hold for about 1 second to turn on MENU mode, then press SEL button repeatedly to select AF mode, rotate the VOL knob to select TA ON, then TA flash in display.

A) When TA mode is on(TA is displayed on LCD), it will begin to seek TA station and TA SEEK will be displayed on LCD for a while.

When traffic announcement is transmitted:

- 1) If the unit is in SD, USB or disc mode, it will switch to radio mode temporarily.
- 2) Temporarily switch over to an EON linked station when EON detects a traffic announcement on that other program, and TP will be displayed on LCD.
- 3) If volume level is below 20, volume level is raised to 20, and returns to its previous mode and volume level when the traffic announcement is over.

If volume is adjusted during traffic announcement, only the traffic announcement volume is valid.

* TA interruption function:

The current traffic announcement is cancelled by pressing this key. But the TA mode will not be off.

* When TA is on, SEEK, (SCAN), AUTO MEMORY function can be received or saved only when traffic program identification code has been received.

USB or Disc Operation:

1. To load/unload disc

Press the REL button to flip down the front panel and then insert the disc into the disc slot or press the EJ button to eject the disc.

2. To load/unload SD card or USB

When playing SD or USB, insert the SD card or USB stick into SD slot or USB port. Then the playing mode will be changed into SD or USB mode and display CARD or USB on LCD(When SD card and USB stick are both inserted into their slot or port, the playing mode will be changed into the mode of the later one), and then play the first track of SD or USB. When needing pull out the SD card, firstly press MMC/SD card once, then pull it out.

3. To select next or previous track to play

Press the >>| button to play the next track.

Press the |<< button to play the current track from the beginning of the current track.

4. To select next or previous 10 track to play

In SD, USB or MP3/WMA disc playback mode, press the 6 or the 5 button to move up or down 10 tracks at a time.

When the remained total track is less than 10, the both buttons are inactive.

5. To play fast forward or backward

During normal playback, press >>| or |<< button and hold to skip forward or backward.

Release to resume normal playback

6. How to use the PLAY/PAUSE/TOP button

During playback, press 1/>|| button to pause SD, USB or Disc playback.

Press again to resume MMC/SD, USB or Disc playback.

Press TOP/>|| button and hold for about 1 second to play the first track.

7. To scan tracks

In disc, SD, USB playback mode, press INT button to display INTRO on LCD then play the first 10 seconds part of each track of all.

8. To repeat track(s)

In disc, SD or USB playback mode, press RPT button to display RPT ONE and play the current track repeatedly. Press RPT button again to cancel this function.

Press and hold the INT button to play the 10 first seconds of each track in desired folder, and D-INT indicator will be displayed on LCD.

To disable the INTRO function, press again INT button and current track will be playing normally, and INT OFF indicator disappears from LCD.

9. To play tracks in random

In disc SD or USB playback mode, press RDM button to display RANDOM and play the track of all in random order, press BAND button again to cancel this function.

10. To quickly select the track in MP3/WMA format to play

In SD, USB or MP3/WMA disc playback mode, press APS button, it is activated as cyclical selecting song mode as following

-> TRACK SERIAL NUMBER SEARCH

-> FIRST CHARACTER SEARCH

-> DIRECTORY SEARCH

A) In TRACK SERIAL NUMBER SEARCH mode, the LCD will display 001--- and flash the biggest digit 0 that the SD card, USB or MP3/WMA disc contains. Rotate the VOL knob to select the number of the flashing digit from 0 ~ 9. Then press SEL button to confirm and flash next smaller digit 0. With the same means, select the number of the flashing digit. After finishing inputting the number of all flashing digit, press BND button to play the track of the corresponding number.

B) In FIRST CHARACTER SEARCH mode, the LCD will display A**-- and flash the first character. Rotate the VOL knob to input character by the order of A~Z and 0~9. Press SEL button to confirm and flash the next character. With the same means, select the character of the flashing place. After finishing inputting all the 3 characters, press BND button and then matched files will be scrolling on the LCD by rotating the VOL knob. Finally press the BND button to play the track. If there is not any file matched, NO MATCH will be displayed and then it will return to the beginning of this track search mode for inputting again.

C) In DIRECTORY SEARCH mode, the LCD will display the root folder (if there is not the root folder, it will find a root folder named ROOT). Rotate the VOL knob to select your desired folder and press BND button to play the first track in the selected folder.

11. ESP and ID3 Function

In SD, USB or MP3/WMA disc mode, during playback, the information of the file name, folder name, title, artist and album will be scrolling on the LCD display. As long as the current playing MP3/WMA music contains relevant ID3 tag information in version 1.0/2.0 format, the 3 items underlined above will be scrolling on the LCD display. Otherwise, they will not.

Bluetooth Handsfree System:

1. Pairing and Connection

- 1) Turn on the Bluetooth mode of the mobile phone;
- 2) Select Finding the Bluetooth Device. After searching is finished, it will show the name of the Bluetooth Device available. Select it and switch to the interface for password, Input the password 0000 and enter it. Then it will show pair OK..
- 3) For some mobile phones, they can automatically connect with the BT device of the car audio system and after pairing is ok; for some mobile phones, they need to select the paired BT device and press the CONNECTION button. When connection is OK, the LCD of the car audio system will show CONNECT.

2. Use the mobile phone to do connection or disconnection

- A) Use the mobile phone to do connection or disconnection
 - 1) In the connection status, find the paired and connected Bluetooth Device, then press the disconnection button to do disconnection.
 - 2) In the disconnection status, find the paired and disconnected Bluetooth Device, then press the connection button to do connection.
- B) When turning on the power again (after Acc off), the front panel can search the phone that was paired automatically and be connection. And it will take you about 10-15 seconds.

Note:

- (1) Bluetooth icon appears on LCD only when in connection status
- (2) In the connection status: Mobile phone transfers to the car audio whenever a dialing takes place; Mobile phone transfers to the car audio whenever receiving a call.

3. Dialing when in connection status

- A) Dial with the mobile phone directly.
 - B) After inputting the phone number via mobile phone, press the TEL button to execute the dialing.
- Notes: The talking time will appear on LCD if dialing is successful and it is received.

4. Accept/ End Call

- A) During ringing, press TEL button to accept the call
- D) During talking, press HAND UP button to end the call.

5. Talking volume level setting

At talking status, use the VOL knob to adjust the sound output, but this volume level can't be reserved.

6. To transfer the audio of a file played by Mobile Phone to the Car Audio Player

If the mobile phone supports A2DP and could play audio or video files, when the Mobile Phone plays an audio (For some Mobile Phones, you must select Play by BT firstly), the playing will be transferred to the Car Audio Player.

In A2DP mode, if the Bluetooth device of the Mobile Phone support AVRCP, the functions of the >>|, |<< and PLAY/PAUSE buttons are the same as one in disc mode(no fast forward /backward functions for the >>|/|<< buttons). The other buttons available in disc mode are not available.

In A2DP mode, if the Bluetooth device of the Mobile Phone supports AVRCP, pressing the MODE button will switch between the radio, disc, USB, CARD and A2DP. After entering A2DP mode again, it will resume playback after you press the PLAY/PAUSE button.

In A2DP mode, if switching the music play mode to the radio mode, music will resume in about 10 seconds.

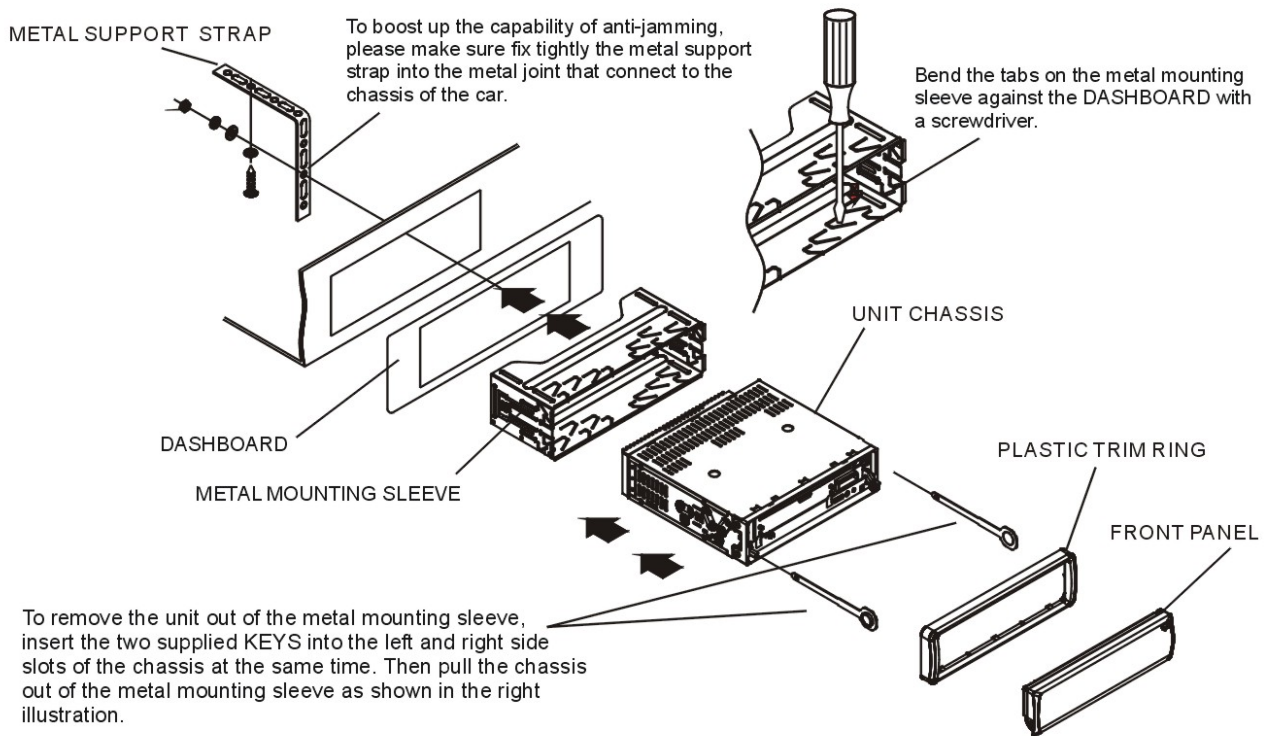
INSTALLATION

INSTALLATION METHOD

This is an anti-theft installation method.

The main unit wears a METAL MOUNTING SLEEVE.

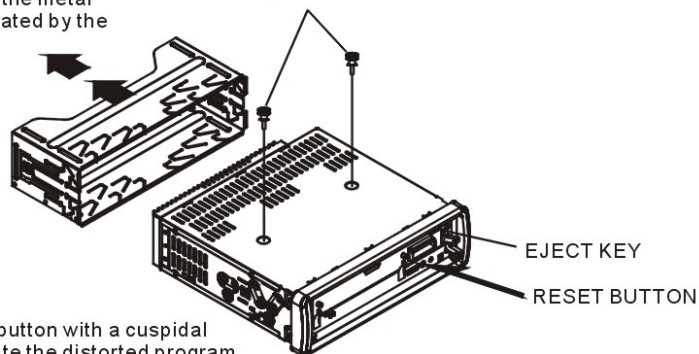
Please connect the wiring, eg, the Power Supply, the Speakers and the Antenna according to the requirements of this Instruction Manual, then install the metal mounting sleeve into the car as per the diagram illustrated below.



NOTE

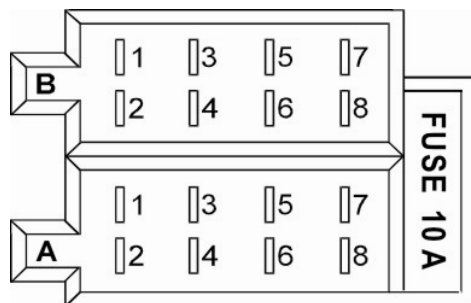
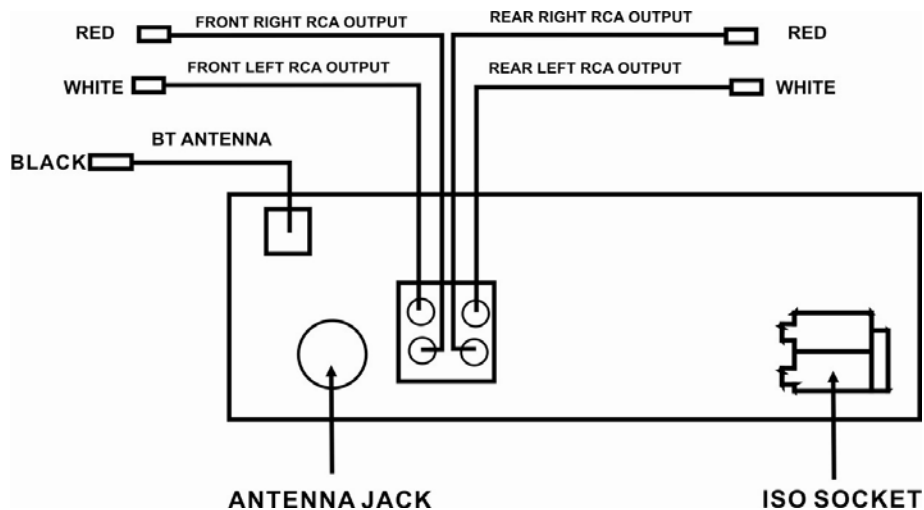
Before mounting and operating the CD player, remove the metal mounting sleeve illustrated by the arrows.

Remove the two screws that fix the CD deck mechanism player during transportation before mounting the player.



Push this reset button with a cuspidal object to renovate the distorted program once the program is distorted.

WIRING



FIXED ISO SOCKET SKETCH

FIXED ISO CONNECTOR A

- 1.
- 2.
- 3.
4. CONSTANT +12V DC
5. AUTO ANTENNA B+
- 6.
7. ACC +12V DC
8. GROUND

FIXED ISO CONNECTOR B

1. REAR RIGHT SPEAKER(+)
2. REAR RIGHT SPEAKER(-)
3. FRONT RIGHT SPEAKER(+)
4. FRONT RIGHT SPEAKER(-)
5. FRONT LEFT SPEAKER(+)
6. FRONT LEFT SPEAKER(-)
7. REAR LEFT SPEAKER(+)
8. REAR LEFT SPEAKER(-)

Note: IF YOUR CAR DOES NOT HAVE ISO CONNECTOR YOU CAN

PROCURE IT FROM ANY ACCESSORY SHOP

Important

IF FIXED-ISO CONNECTOR IS CUT, THE GUARANTEE WILL BE VOID.

SPECIFICATION

GENERAL

Power supply requirement.....DC 12V
Current consumption.....10A MAX
Maximum power output.....4X60W(Measured at 14.4V)
Number of channels.....2 STEREO
Chassis dimensions.....178[W] X 50[H] X 165[D]

FM SECTION

Frequency range.....87.5MHz -107.9MHz (US)
87.5MHz-108MHz (EU)
Usable sensitivity.....3uV
I.F Frequency.....10.7MHz

AM SECTION

Frequency range.....530KHz - 1710KHz(US)
522KHz-1620KHz(EU)
I.F Frequency.....450KHz
Usable Sensitivity.....40dB

LINE - OUT

Output.....MAX 1200mV

CD/MMC/SD or USB PLAYBACK

System.....MP3 audio system
Usable disc.....CD/CD-R/CD-RW/MP3/WMA
Frequency response.....20-100Hz <= 5dB
10-20KHz <= 5dB
Signal to noise ratio(CD).....50dB [1KHz]

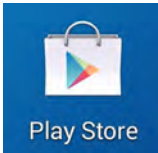
Bluetooth Wireless APP Control

A new and innovative method to control your 752UAB, is from the **Boss Audio Radio Stream APP**.

It enables you to control your music library and all the sources right from your Android* device conveniently and safely through the free app. *Minimum Required Android OS: 2.0

To download follow these easy steps...

1. Go to the **Google Play**



2. Search for “**Boss Audio Systems**” & Install



Controls & Functions



Sources

The available source icons will be highlighted.

If the source is unavailable (i.e. CD is not inserted), the icon will appear dark

Volume

Volume control be accomplished through the “+” and “-” icons on the screen.

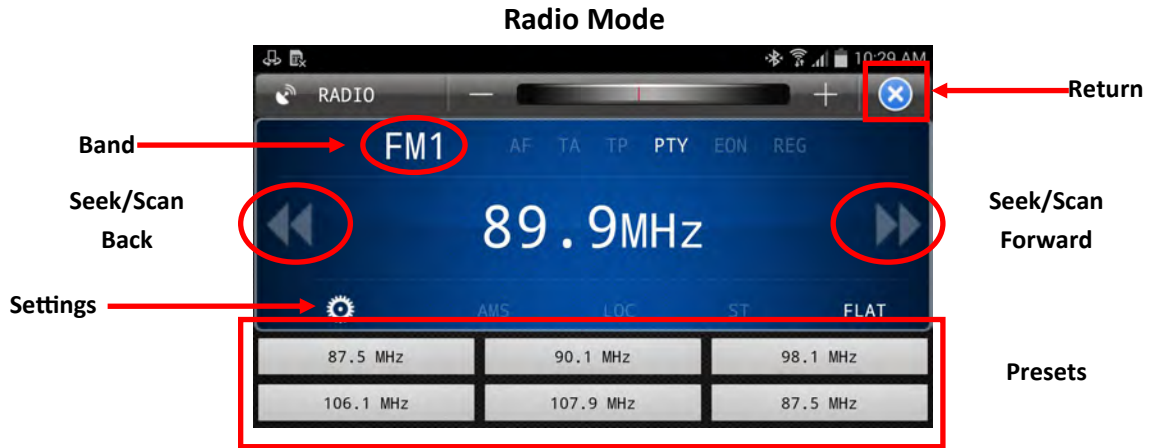
The red bar can also be used for volume, it can be moved with your finger left or right, to lower or raise the volume respectively.

The volume function will always be present in all menus, in the same location globally.

Settings

The Menu button can be used to access the EQ, Play, RDS and Tuner functions

Bluetooth Wireless APP Control



Radio Mode

Seek/Scan Settings

Access Presets

Change Bands (FM1, FM2, FM3, AM1, AM2)

Settings– This icon will display in all sources

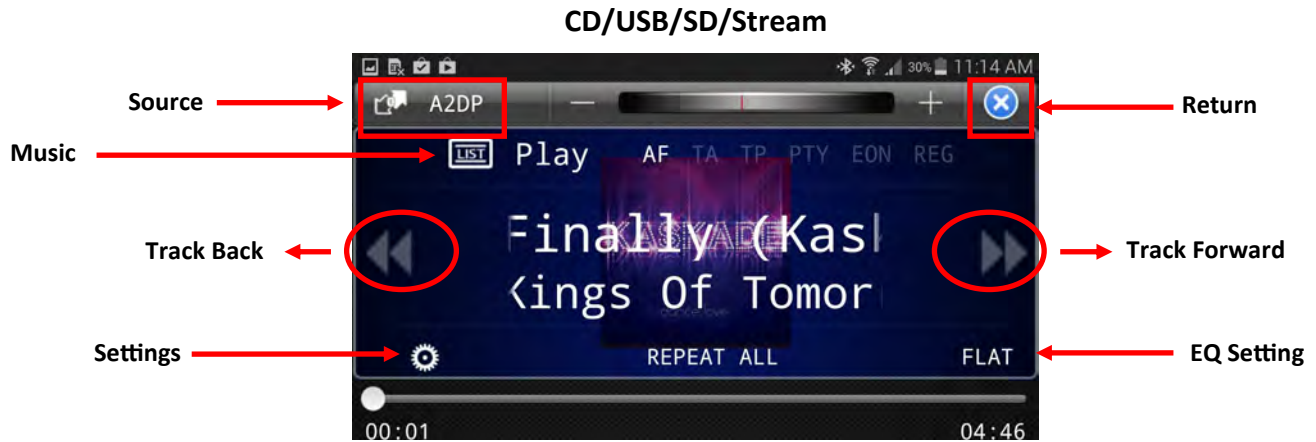
Return– Will take you back to previous menu



Aux-In

In Aux-In mode, you have access to Settings, and Volume adjustments.

Bluetooth Wireless APP Control



CD/ USB/ SD/ Stream Modes

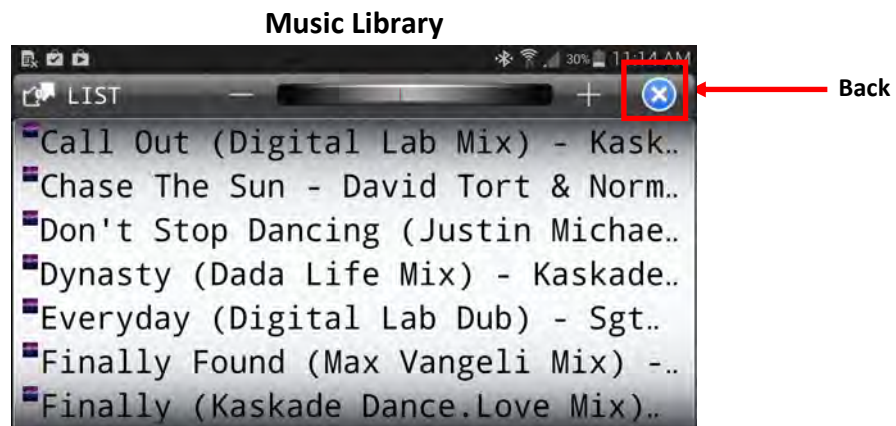
Source

Track Controls

Music-Access to music library

Settings– This icon will display in all sources

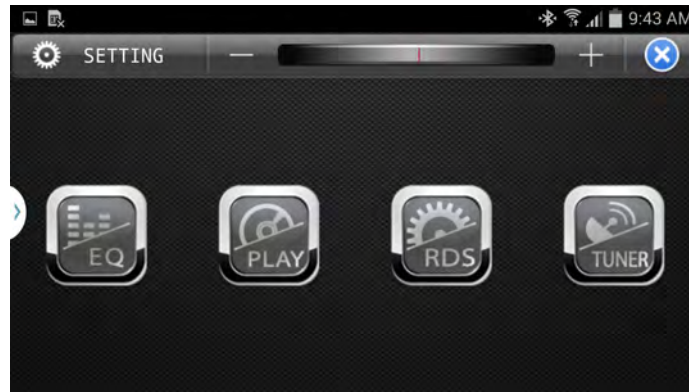
Return– Will take you back to previous menu



The List will populate to the source it is currently playing. Music can be previewed on while the source is playing from CD,USB,SD and Stream modes

Bluetooth Wireless APP Control

Settings



Settings

EQ– Changes Audio settings, and presets EQ curves

Play– Access different play modes, Shuffle, Random, Repeat, etc...

RDS– Access to Radio Data System settings

Tuner– Access to Radio settings

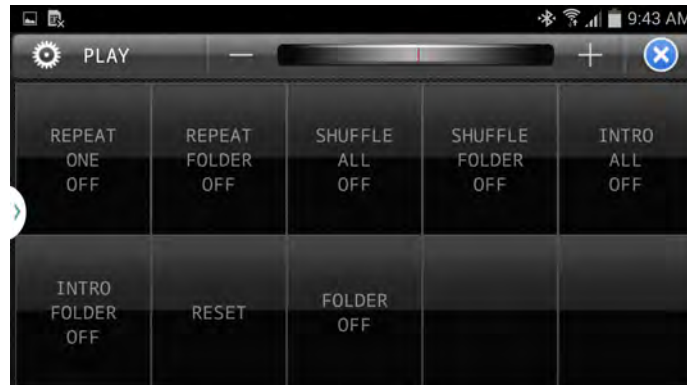
Tuner Settings



RDS Settings



Play Settings



Bluetooth Wireless APP Control

Clock

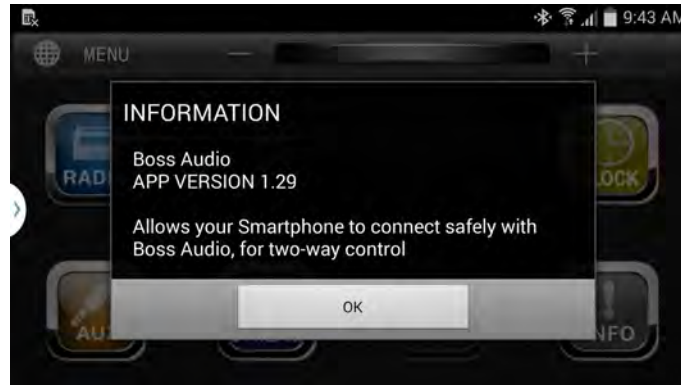


Clock

Date and time is displayed

Return and Volume functions are always present

APP Info



Info

With constant updates and bug fixes, the APP Version is subject to change without notice.