



MR1200PA

*Four Channel
High Power MOSFET
Marine Audio Amplifier
and Public Address System*

Congratulations on your purchase of a BOSS Marine Amplifier.

It has been designed, engineered and manufactured to bring you the highest level of performance and quality, and will afford you years of listening pleasure.

Thank you for making
BOSS **Marine** your choice for
marine audio entertainment!

USER'S MANUAL

page CONTENTS

- 2** Introduction
- 2** What is included?
- 3** Features
- 3** About 2 Ohm operation
- 4** General precautions
- 4** Protection circuitry
- 5** Installation precautions
- 5** Fuses
- 6** Mounting the amplifier
- 6** Connecting the amplifier
- 8** Low level input wiring
- 9** High level input wiring
- 11** Microphone input wiring
- 12** Power and speaker wiring
- 15** Troubleshooting
- 16** Specifications

Introduction

An important member of the **BOSS** AUDIO SYSTEMS **Marine** MOSFET amplifier series, we are pleased to introduce the unique MR1200PA, a powerful amplifier with public address capabilities.

This **BOSS** AUDIO SYSTEMS **Marine** models features both high pass and low pass crossovers. For further flexibility in the use of a subwoofer, a variable bass boost control has been included. You can control the subwoofer level with the remote level control module.

BOSS AUDIO SYSTEMS **Marine** understands that amplifiers are placed in many different kinds of installations, so we have also included an input sensitivity control to help you integrate the amp into your system regardless of the nature of your input source.

A custom microphone is included. Pressing the button on the microphone will mute the audio and allow you to be heard easily by others on your boat.

BOSS AUDIO SYSTEMS **Marine** amplifiers are constructed using a special corrosion resistant coating on the printed circuit board to prevent damage from the high humidity of the marine environment.

In order to prevent the intrusion of water into the amplifier enclosure, we have provided the connections at the end of waterproof wires/cables, and tightly grommited the wires as they pass through the end panels.

An additional important, unique component is the rubber pad which seals all control openings.

What is included?

When first unpacking your new amplifier, please check first that the package contains all of the items below. If something is missing, contact the store where you purchased the player.

- **Marine amplifier**
- **Custom microphone and mounting bracket**
- **High input cable with connector(s)**
- **Speaker output cable with connector(s)**
- **Remote level controller**
- **Four (4) mounting screws**

Features

Your new **BOSS** AUDIO SYSTEMS **Marine** amplifier features the following:

- **Class A-B operation**
- **Bridgeable outputs**
- **TriMode capable**
- **Designed to work as full-featured PA (Public Address) System with included microphone**
- **MOSFET PWM (Pulse Width Modulated) Power Supply**
- **2 Ohm stable stereo operation with output power increase**
- **Thermal and speaker short protection**
- **Soft turn-on circuit**
- **Remote turn-on/turn-off circuit**
- **Variable input gain control**
- **Variable low and fixed high pass crossovers**
- **Variable bass boost (0 to +18dB)**
- **Exclusive protective coating on PC board to prevent damage from humidity**
- **LED power and protection indicators**
- **Silver heatsink**
- **Remote subwoofer level control**

About 2 Ohm operation

Your **BOSS** AUDIO SYSTEMS **Marine** amplifier has been designed to operate efficiently at loads down to 2 Ohms. This means that you can install four 8 Ohm speakers per channel, *when using parallel wiring.*

Increasing the number of woofers per channel at low frequencies (below 100Hz) produces an acoustic coupling effect. This acoustic coupling effect increases your power output by about 3dB per speaker, or the equivalent of an additional 10W per speaker.

When operating at 2 Ohms, the amplifiers will increase their output power by approximately 50%. *The current draw will also increase by about the same amount, so be sure you have enough current to run the amplifiers into a 2 Ohm load.*

If you lack adequate current, your music reproduction will be distorted.

General precautions

Before installing and using your new BOSS Marine amplifier, please become familiar with all the information contained in this manual.

Please keep this manual in a safe place for future reference.

- Do not open or attempt to repair this unit yourself. Dangerous high voltages are present which may result in electric shock. Refer any repairs to a qualified service technician.
- To avoid risk of electronic shock or damage to the amplifier, do not permit any of this equipment to become damp or wet from water or drinks. If this does occur, immediately unplug the power wires and send the amplifier to your local dealer or service center as soon as possible.
- If there is smoke or any peculiar odor present during use or if there is damage to any of the component enclosures, immediately unplug the power cord and send the amplifier to your local dealer or service center as soon as possible .

SHOCK HAZARD! Do not open the case of this product. There are dangerous voltages present within the unit. There are no user-serviceable parts within the unit.

Protection Circuitry

This amplifier incorporates special protection circuitry which will disable the amplifier if any of the following should occur:

- Input overload
- Short circuit
- Extremely high temperatures

If any of these conditions is detected, the amplifier will go into a self-preservation mode, and the PROTECT LED on the model number badge on top of the amplifier will be illuminated.

What should I do if my amplifier PROTECT LED is illuminated?

If you observe that the PROTECT LED is on, please check the system carefully to determine what has caused the protection circuit to engage.

To reset the amplifier when it is in PROTECT mode, turn the power off to the system (usually by turning off the head unit or other signal source which feeds the amplifier) and then turn it on again.

If the amplifier has shut down due to thermal overload, you should first allow it to cool down before restarting.

If the shut down was due to either an input overload or a short circuit, be sure to correct these conditions before attempting to power up the amplifier again.

Installation precautions

Before you drill or cut any holes, investigate your vessel's layout very carefully. Take special care when you work near the gas tank, fuel lines, hydraulic lines and electrical wiring.

Never operate the amplifier when it is unmounted. Attach all audio system components securely within the amplifier to prevent damage, especially in an accident.

Do not mount this amplifier so that wire connections are unprotected, in a pinched condition, in contact with any metal surfaces in your marine vessel, or likely to be damaged by nearby objects.

Before making or breaking power connections in your system, disconnect the marine vessel battery. Confirm that your head unit or other equipment is turned off while connecting the input jacks and speaker terminals.

If you need to replace the power fuse, replace it only with a fuse identical to that supplied with the amplifier. Using a fuse of a different type or rating may result in damage to your audio system or your amplifier which is not covered by the manufacturer's warranty.

Fuses

Power fuses protect both the amplifier and the electrical system of your boat from fault conditions. If you must replace a fuse in your Marine amp, use a fuse of exactly the same type and rating. Using a different type or rating of fuse may result in damage to your amp or marine vessel or cause a fire.

Mounting the amplifier

1. Find a suitable location in the marine vessel in which to mount the amplifier.

2. Make sure there is sufficient air circulation around the intended mounting location.

3. Mark the location for the mounting hole screws by positioning the amplifier where you wish to install it. Use a scribe or mounting screw, inserted through each of the amp's mounting holes, to mark the mounting surface. If the mounting surface is carpeted, measure the hole centers and mark with a felt tip pen.

4. Drill pilot holes in the mounting surface for the mounting screws. Place the amplifier in position, and attach the amplifier to the mounting surface securely using screws.

Connecting the amplifier

Before doing any wiring, look through this manual and identify the diagrams to follow for power, input and speaker connections for your particular installation. Be sure you understand all the connections before you proceed.

1. Connect the ground terminal to the closest point on the chassis of the marine vessel. Keep this ground wire to less than 39" (100 cm) in length. Use 8 gauge (or heavier) wire.

2. Connect the remote terminal to the remote output of the head unit using 16 gauge (or heavier) wire.

3. Connect an empty fuse holder within 18" (45 cm) of the boat's battery, and run 8 gauge (or heavier) cable from this fuse to the amplifier location.

4. Check that the fuse holder is empty. Then connect the fuse holder to the "BATT+" connection on the amplifier.

5. If multiple amplifiers are being used in your system, either:

- Run a separate pair of cables from the battery and a chassis ground point to each amplifier. Each (+) cable must have its own inline fuse.

-or-

- Run a 4 gauge cable from the fuse holder at the battery to a distribution block at or near the amplifier's location. Then run separate cables from the amplifier to this distribution block and to independent chassis ground points.

6. Connect all line inputs and outputs (if used) using high-quality cables. Connect all speakers, following the diagrams in this manual. Be sure to observe proper polarity to avoid audio phase problems.
7. Insert fuse(s) into the battery fuse holder(s).
8. Recheck all connections before powering up the amplifier.
9. Set all level controls to minimum position, and set all crossover controls/switches to the desired frequency points.
10. Power up the head unit and the amplifier. Then set the volume control on the head unit to about 3/4 volume, and adjust the amplifier's input level control(s) to just below the level of distortion.
11. Further fine tuning of the various controls may be necessary to obtain best results.

Don't misuse the level control!

Do not mistake the input level control for a volume control! It is designed ONLY to match the output level of your audio source to the input level of your amplifier.

Do not adjust this input level to maximum unless your input level requires it.

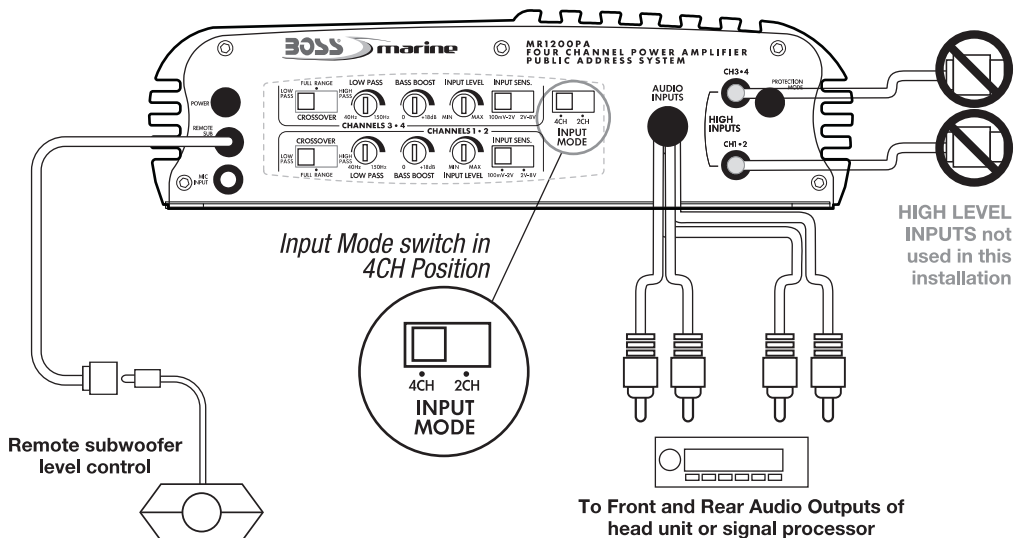
Ignoring these instructions will result in an input overload to the amplifier, and excessive audio distortion. It can also cause the protection circuit to engage.

Low Level Input Wiring

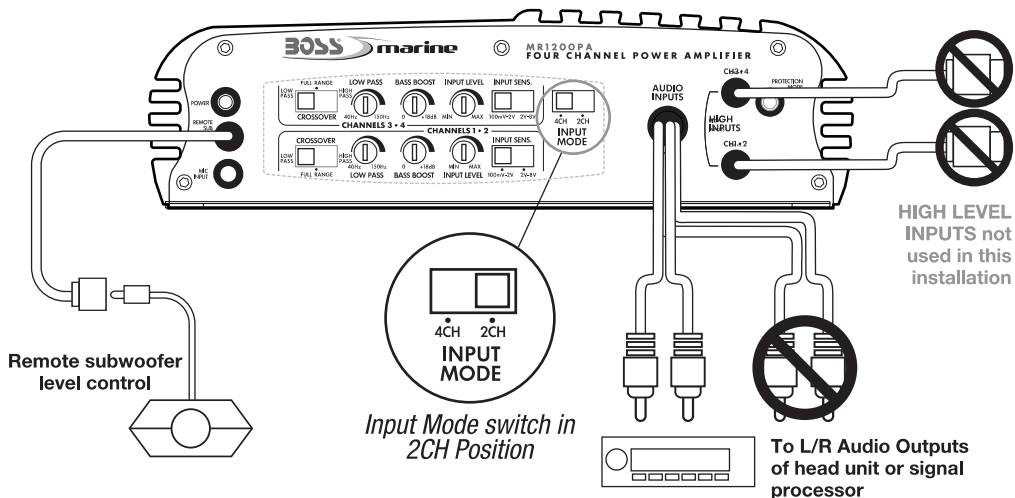
Low-level (RCA) input wiring is preferred for best audio performance. Always use a high-quality RCA cable for best audio performance.

NOTE: Do not connect BOTH the high level and low level inputs from your receiver to your amplifier at the same time!

4-Channel Amplifier with 4-Channel Audio Input Source MR1200PA



4-Channel Amplifier with 2-Channel Audio Input Source MR1200PA



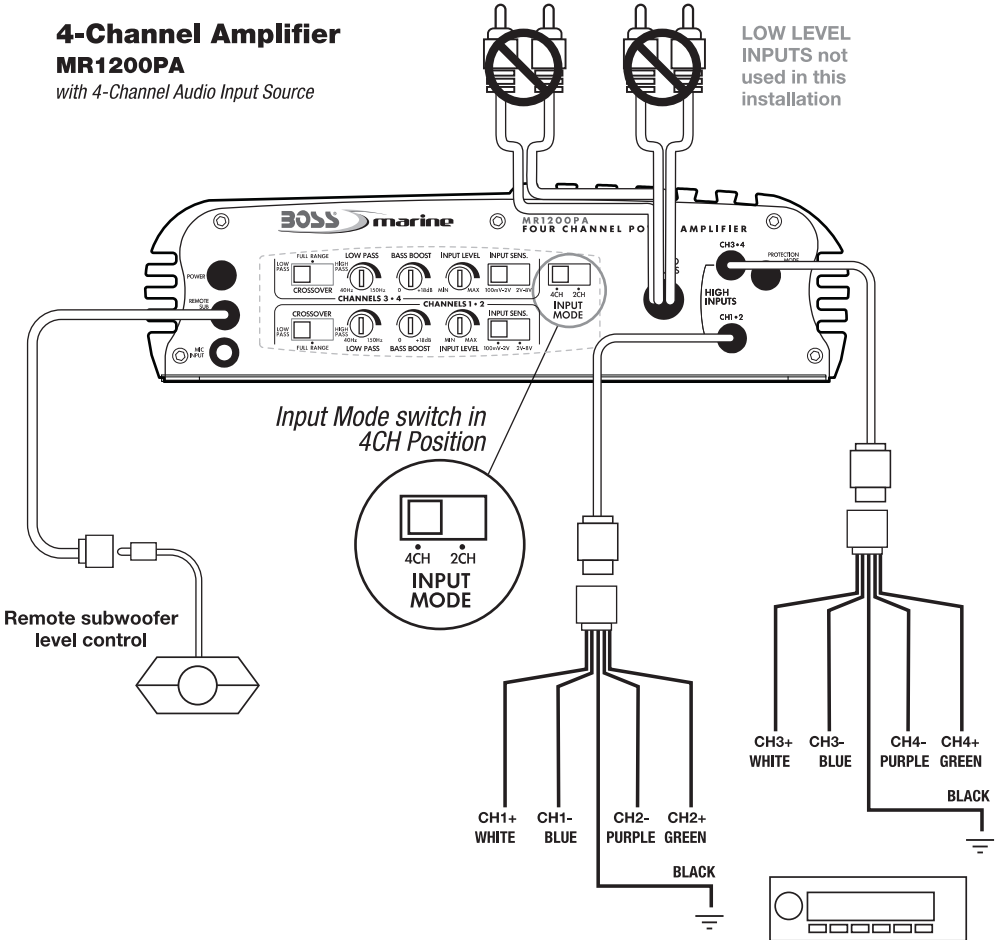
High Level Input Wiring

The high level input(s) should only be used when your head unit lacks RCA outputs. If the RCA outputs are not present, connect the speaker outputs from the receiver to the high level input connector of the amplifier. Be sure to observe polarity to avoid audio phase problems.

NOTE: Do not connect BOTH the high level and low level inputs from your receiver to your amplifier at the same time!

4-Channel Amplifier MR1200PA with 4-Channel Audio Input Source

LOW LEVEL INPUTS not used in this installation



To FRONT and REAR L/R Speaker Terminals of head unit or signal processor

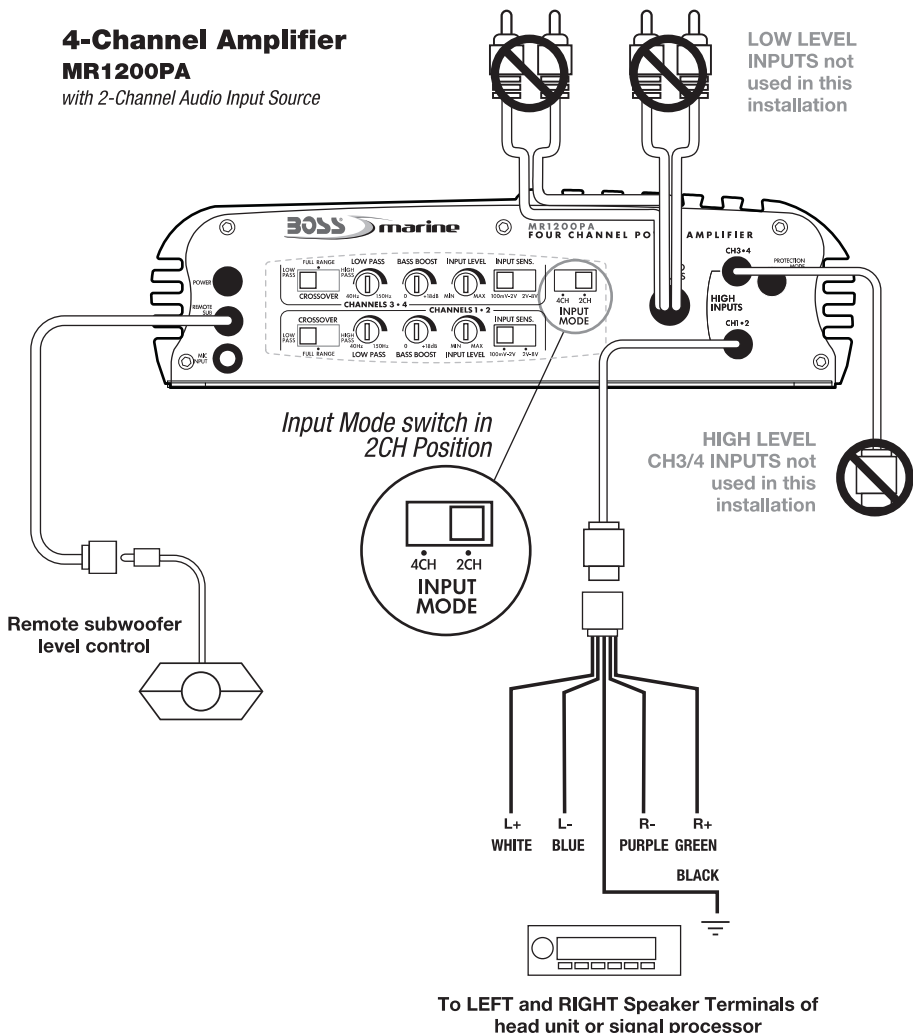
High Level Input Wiring

The high level input(s) should only be used when your head unit lacks RCA outputs. If the RCA outputs are not present, connect the speaker outputs from the receiver to the high level input connector of the amplifier. Be sure to observe polarity to avoid audio phase problems.

NOTE: Do not connect BOTH the high level and low level inputs from your receiver to your amplifier at the same time!

4-Channel Amplifier MR1200PA

with 2-Channel Audio Input Source

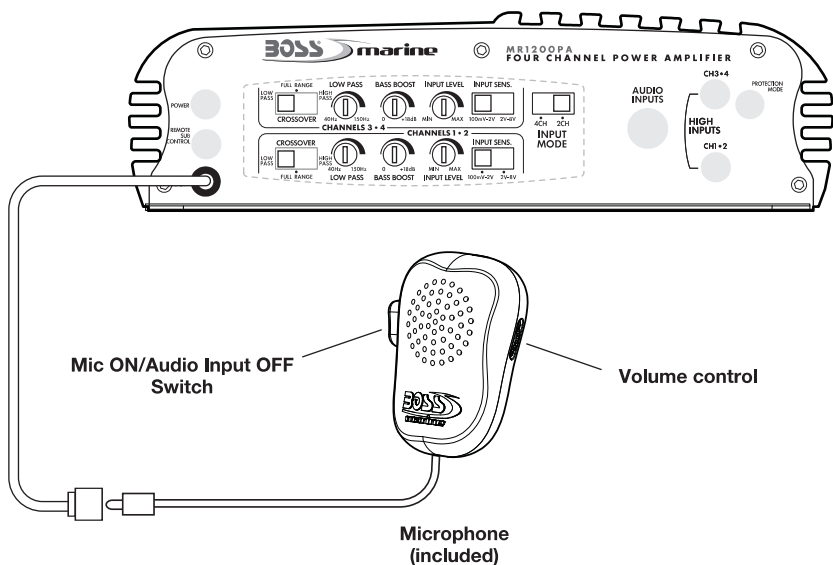


Microphone Input Wiring

If you wish to use the public address feature in the MR1200PA, all you need to do is to connect the custom microphone included with the amp.

When you press the button on the microphone, it automatically cuts off the input to Channels 1-4 from your audio source and presents the microphone signal to the amplifier.

You can use the microphone to supplement either 2CH or 4CH audio input from your signal source. In any case, when the mic switch is engaged, your audio input will be silenced until the switch is released.



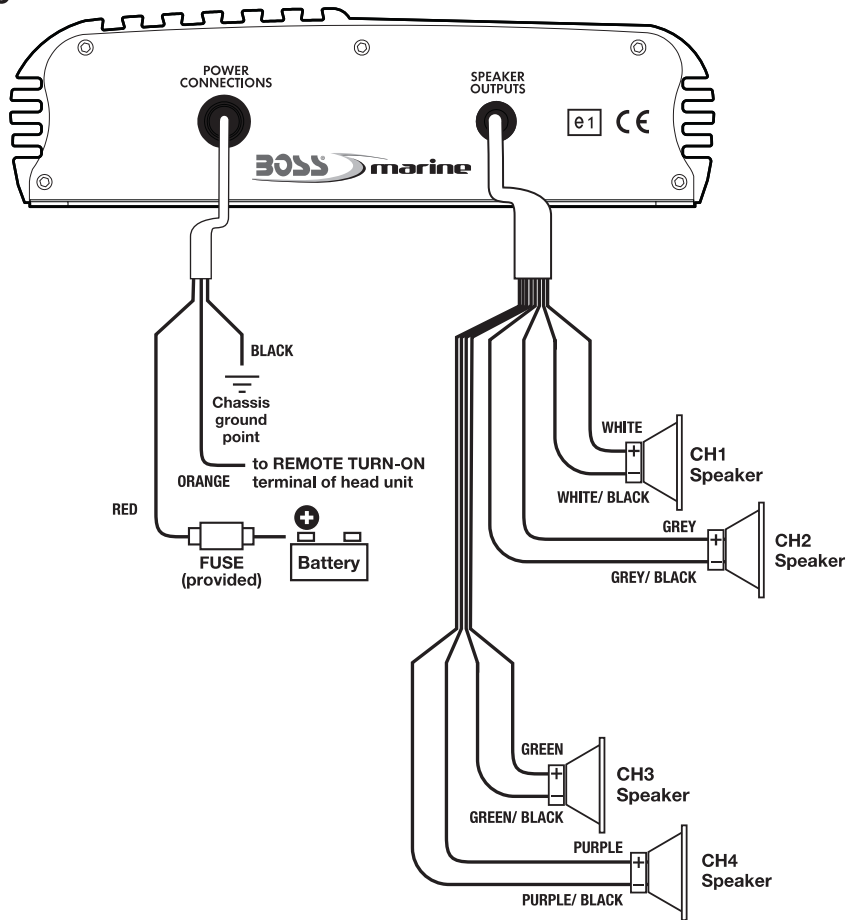
Power and Speaker Wiring

4 Channel Mode

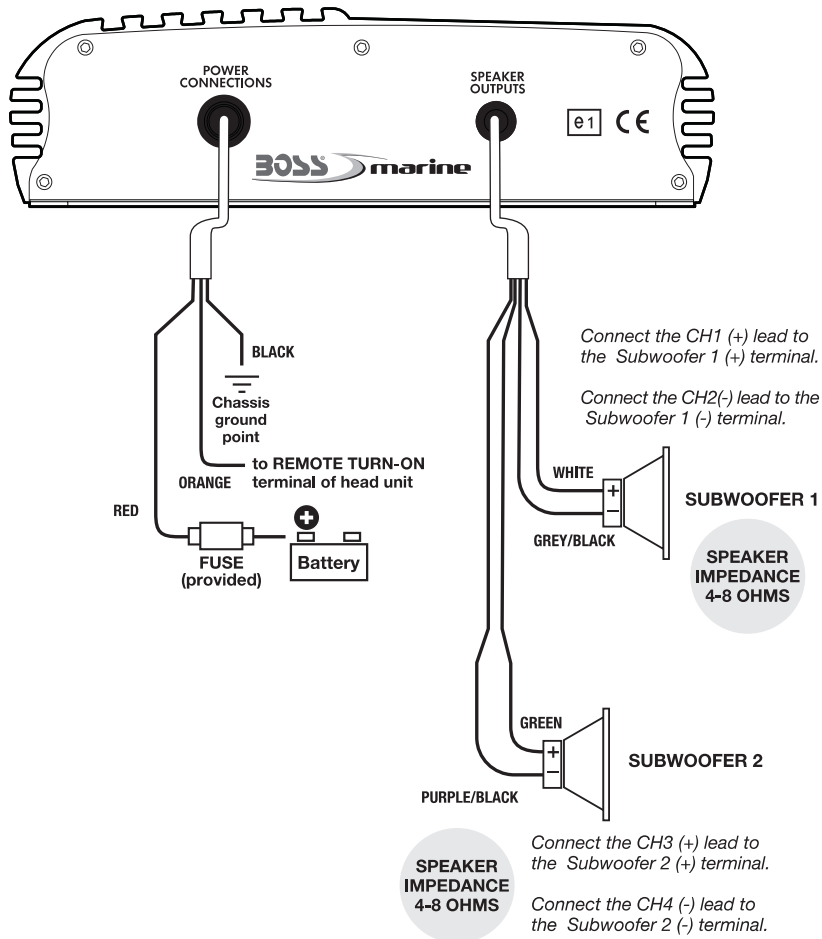
4-Channel Amplifier

MR1200PA

Four Channel Mode



Bridged Mode



Speaker Wiring

Tri-Mode

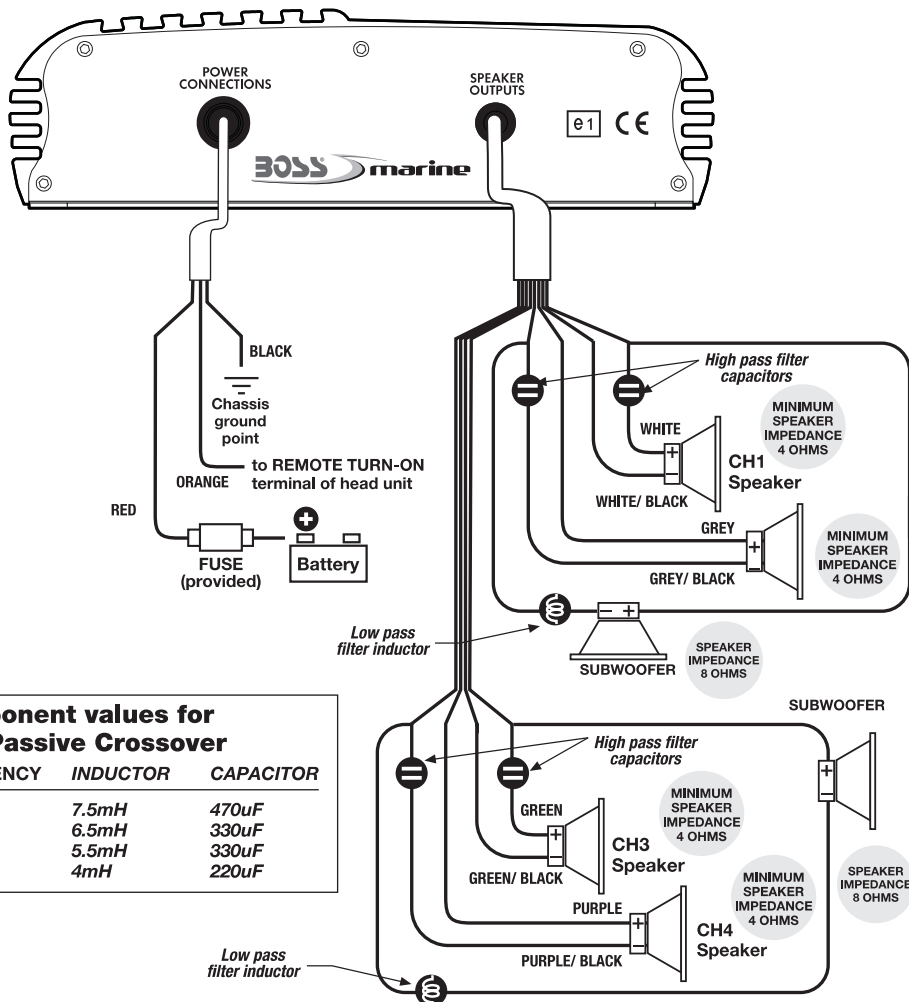
4-Channel Amplifier

MR1200PA

Tri-mode operation allows you to connect this amplifier to a pair of main speakers plus a subwoofer on one pair of output channels. The main speakers will operate in STEREO while the subwoofer simultaneously operates in MONO.

To set up the amplifier to run in this mode, **put the crossover switch in the FULL position**. Insert high pass filter capacitors and a low pass filter inductor into the wiring as shown below. Be sure to check the table at the bottom of this page to determine the correct capacitor and inductor values for the crossover frequency you wish to achieve.

Tri-Mode



Component values for 6dB Passive Crossover

FREQUENCY	INDUCTOR	CAPACITOR
80 Hz	7.5mH	470uF
100 Hz	6.5mH	330uF
120 Hz	5.5mH	330uF
150 Hz	4mH	220uF

Troubleshooting

If you experience operation or performance problems with this product, compare your installation with the electrical wiring diagram on the previous pages. If problems persist, read the following troubleshooting tips which may help eliminate the problems.

SYMPTOM	POSSIBLE REMEDY
Amplifier will not power up.	<p>Check to make sure you have a good ground connection.</p> <p>Check that the Remote Input (Turn-On) has at least 3VDC.</p> <p>Check that there is battery power on the (+) terminal.</p> <p>Check that there is at least 12v.</p> <p>Check all fuses, replace if necessary.</p> <p>Make sure that the Protection LED is not illuminated. If it is lit, shut off the amplifier briefly, and then repower it.</p>
Protection LED comes on when amplifier is powered up.	<p>Check for short circuits on speaker leads.</p> <p>Turn down the volume control on the head unit to prevent overdriving.</p> <p>Remove speaker leads, and reset the amplifier. If the Protection LED still comes on, then the amplifier is faulty and needs servicing.</p>
No output.	<p>Check that all fuses are OK.</p> <p>Check that amplifier is properly grounded.</p> <p>Check that the Remote Input (Turn-On) has at least 3VDC.</p> <p>Check that the RCA audio cables are plugged into the proper inputs.</p> <p>Check all speaker wiring.</p>
Low output.	<p>Reset the Level Control.</p> <p>Check the Crossover Control settings.</p>
Audio present in only one channel.	<p>Check the RCA interconnect cables.</p> <p>Check all speaker wiring.</p>
High hiss in the speakers.	<p>Disconnect all RCA inputs to the amplifiers. If the hiss disappears, then plug in the component driving the amplifier and unplug its inputs. If the hiss disappears at this point, go on until the faulty/noisy component is found.</p> <p>It is best to set the amplifier's input level control as low as possible. The best subjective signal-to-noise ratio is achieved in this manner. Try to set the head unit as high as possible (without distortion) and the amp input level as low as possible.</p>
Squealing noise from speakers.	<p>Check for improperly grounded RCA interconnects.</p>
Distorted sound.	<p>Check that the Input Level Control is set to match the signal level of the head unit. Always try to set the Input Level as low as possible.</p> <p>Check that all crossover frequencies are properly set.</p> <p>Check for short circuits on the speaker leads.</p>
Amplifier gets very hot.	<p>Check that the minimum speaker impedance for the amp model is correct.</p> <p>Check that there is good air circulation around the amp. In some applications, it may be necessary to add an external cooling fan.</p>
Engine noise (static type)	<p>This is usually caused by poor quality RCA cables, which can pick up radiated noise. Use only the best quality cables, and route them away from power cables.</p>
Engine noise (alternator whine)	<p>Check that speaker leads are not shorted to the marine vessel chassis.</p> <p>Check that the RCA grounds are not shorted to the marine vessel chassis.</p> <p>Check that the head unit is properly grounded.</p>

Specifications



*Four Channel Marine Amplifier
with Public Address System*

MODEL

MR1200PA

RMS POWER into 4 Ohms	150W x 4
MAX POWER into 2 Ohms	300W x 4
BRIDGED POWER into 4 Ohms	600W x 2
Min. speaker impedance	2 Ohm Stereo/4 Ohm Mono Bridged
THD	0.01%
Frequency response	6Hz-50kHz
Signal-to-noise ratio	102dB
Channel separation	90dB
Damping factor	125+
Crossover range low pass	40Hz-150Hz
high pass	200Hz (fixed)
Bass boost	0 - +18dB
Fuse rating	40A x 1
Dimensions: (7-3/8" x 2-1/4" x ...)	12-3/4"

*All specifications subject to
change without notice.*