

    [#WELIKEITLOUD](#)

DS18

HYDRO

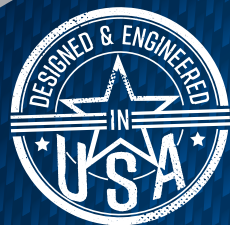
OWNER'S MANUAL

[NXL6TPWNEO/NXL8TPWNEO](#)

[CF6TPBNEO/CF8TPBNEO](#)



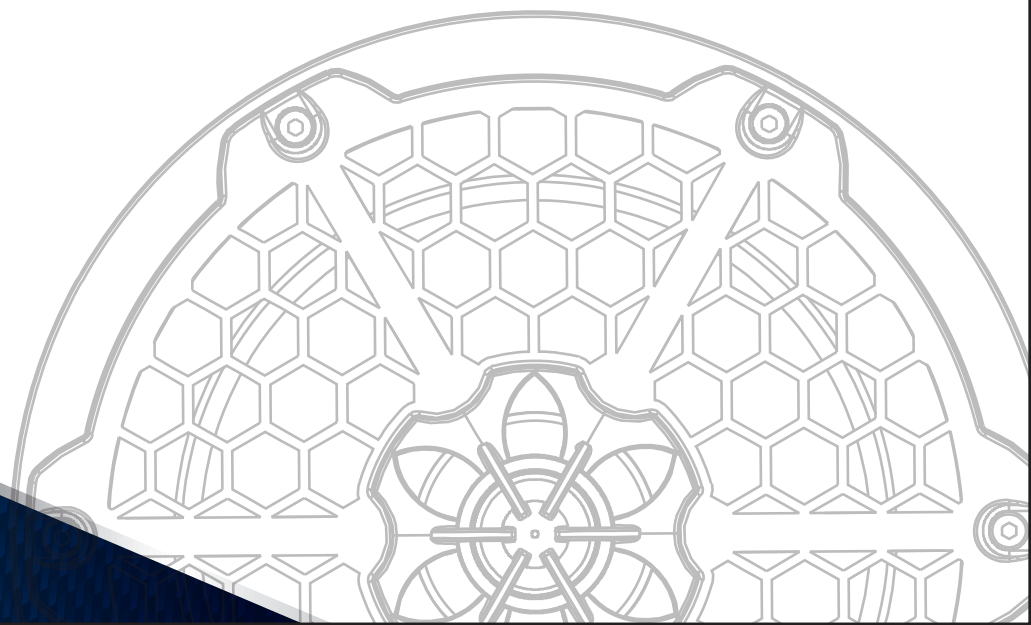
[#WELIKEITLOUD](#)



FOR MORE INFORMATION
PLEASE VISIT
WWW.DS18.COM



▲▲ FOR ALL
ELEMENTS





FEATURES:

CF6TPBNEO – NXL6TPWNEO

Pair 6.5" 2-Way Tower Speaker System
 For Marine, Motorcycles & ATV / UTV
 Continuous Power Handling 150 Watts RMS
 Peak Music Power 450 Watts MAX
 Coax Design 1" VC Titanium Dome
 Compression Driver With Full Ferrofluid

CF8TPBNEO – NXL8TPWNEO

Pair 8" 2-Way Tower Speaker System
 For Marine, Motorcycles & ATV / UTV
 Continuous Power Handling 180 Watts RMS
 Peak Music Power 550 Watts MAX
 Coax Design 1.5" VC Titanium Dome
 Compression Driver With Full Ferrofluid

Gray Painted Waterproof Compress Paper Cone With Carbonfiber, PC Surround.
 Motor Structure Use N40H Neodymium Magnet
 Die-cast Solid Aluminum 360-Degree Rotation Mounting Mobile Clamps.
 Full Rounded, Buried Wire or Open Wire Mounting Optional,
 Included: (1.5", 1.75", 2") NBR Pad
 6 Core Wires For Lighting and Speaker
 Integrated LED-RGB Speaker Lighting
 Front Logo And Back Cover is Rotatable (When Flat Mounting is Adjusted)
 RF Remote LED Controller Or WIFI Controller Option Available
 For Multi-Function RGB LED Lighting (Optional)
 IP65 Marine-Grade Compliant

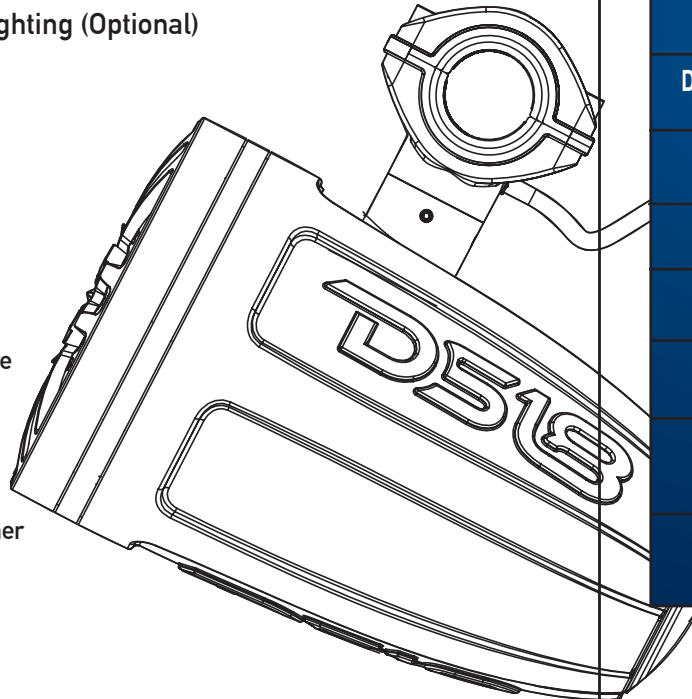
AVAILABLE IN  **2 COLORS**

CF6TPBNEO / CF8TPBNEO

- Black Carbon Fiber Enclosure
- ASA Grille / Black Carbon Fiber Texture Grille with 316 Metal Mesh

NXL6TPWNEO / NXL8TPWNEO

- White High Gloss Enclosure
- UV-Compliant High Gloss, High Polymer With Resin and Fiberglass Composite

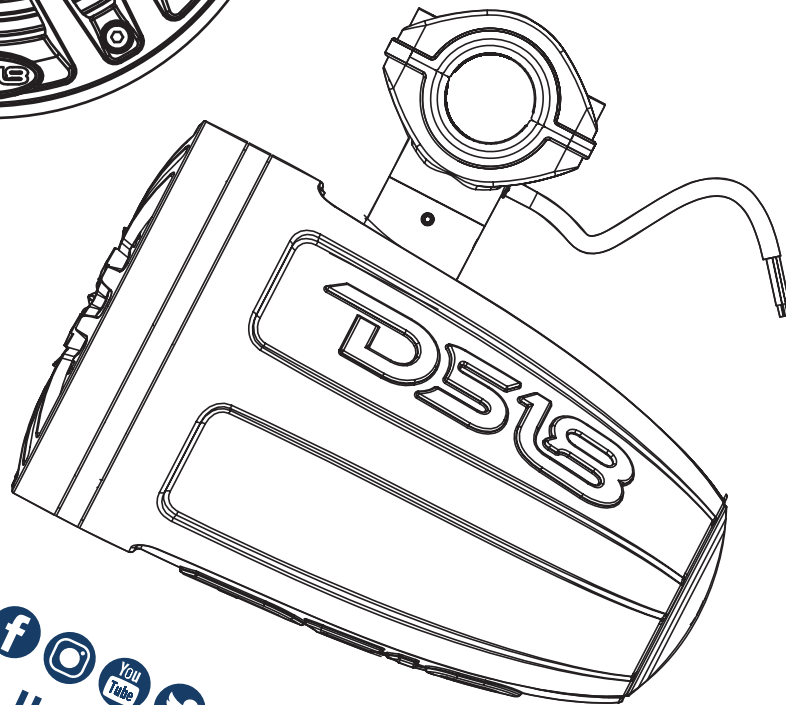
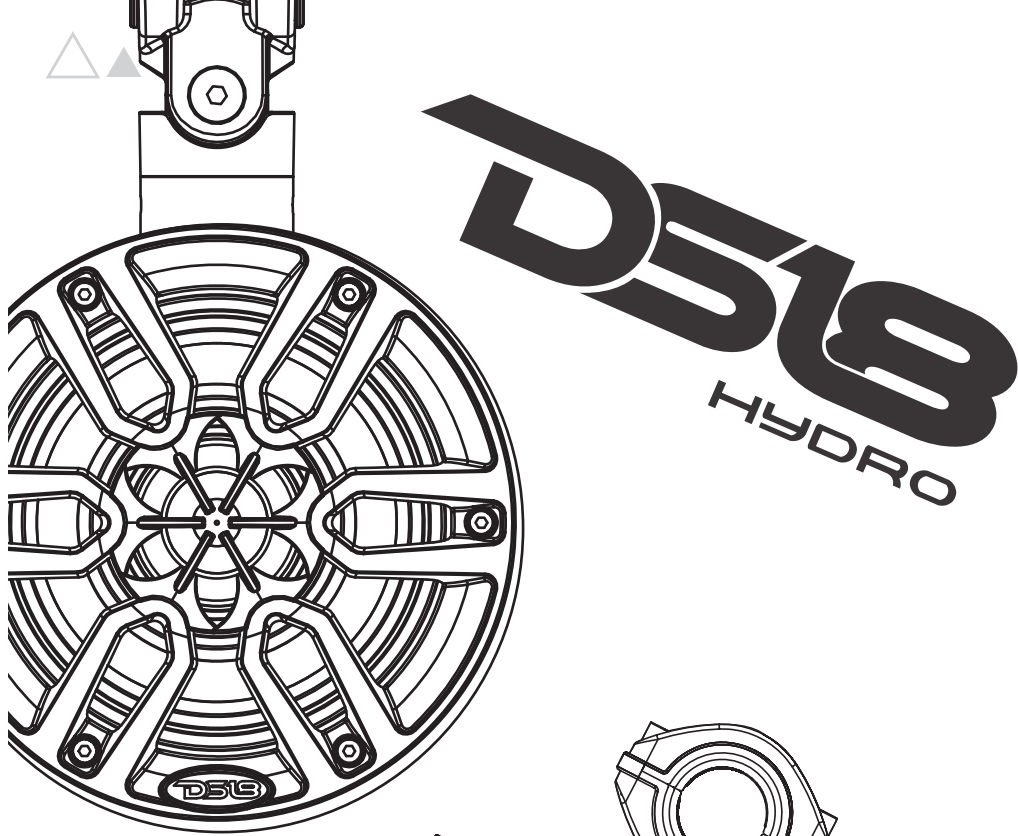


SPECIFICATIONS

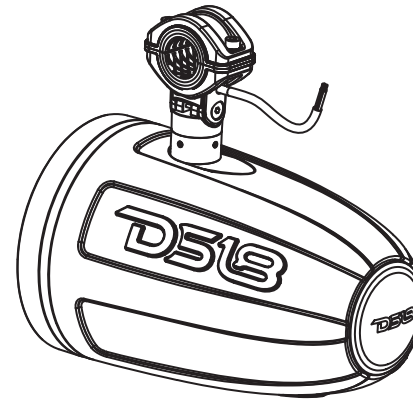
MODEL	NXL6TPWNEO	NXL8TPWNEO	CF6TPBNEO	CF8TPBNEO
Nominal Diameter	6.5" (165 mm)	8" (203 mm)	6.5" (165 mm)	8" (203 mm)
Type	2-Way	2-Way	2-Way	2-Way
Nominal Impedance	4Ω	4Ω	4Ω	4Ω
Frequency Response	70-21KHz	60-21KHz	70-21KHz	60-21KHz
Speaker Voice Coil Diameter	1.5" (38.6mm)	2.0" (50.8mm)	1.5" (38.6mm)	2.0" (50.8mm)
Power Handling	150W RMS / 450W MAX	180W RMS / 550W MAX	150W RMS / 450W MAX	180W RMS / 550W MAX
Fs-Free Air Resonance	75Hz	62Hz	75Hz	62Hz
Qts	0.756	0.592	0.756	0.592
Driver Voice Coil Diameter (Titanium Diaphragm)	1"	1.5"	1"	1.5"
Vas-Cu.Ft (Liter)	0.3" (8.5 mm)	0.795" (22.5 mm)	0.3" (8.5 mm)	0.795" (22.5 mm)
Sensitivity (1w/1m)	93dB	95dB	93dB	95dB
Xmax	0.12" (3mm)	0.12" (3mm)	0.12" (3mm)	0.12" (3mm)
Mounting Height	11.85" (301mm)	13.51" (343mm)	11.85" (301mm)	13.51" (343mm)
Mounting Depth	11.32" (288mm)	13.95" (354mm)	11.32" (288mm)	13.95" (354mm)
Mounting Diameter	6.93" (176mm)	8.59" (218mm)	6.93" (176mm)	8.59" (218mm)

We Reserve The Right To Change Products And Specificatins At Any Time
 Without Notice. Images May Or May Not Include Optional Equipment

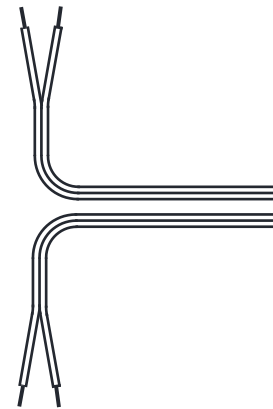




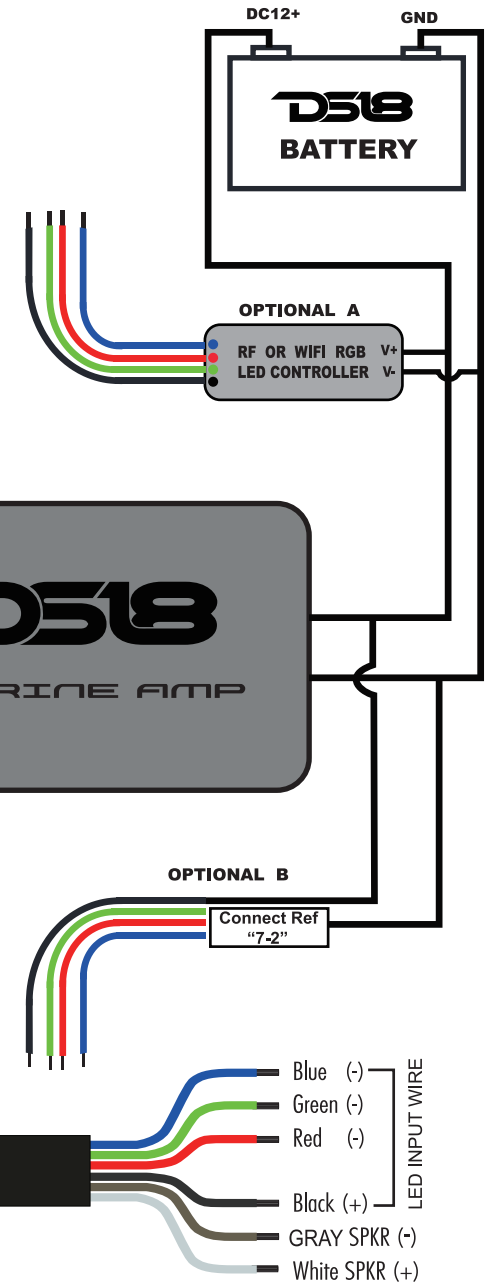
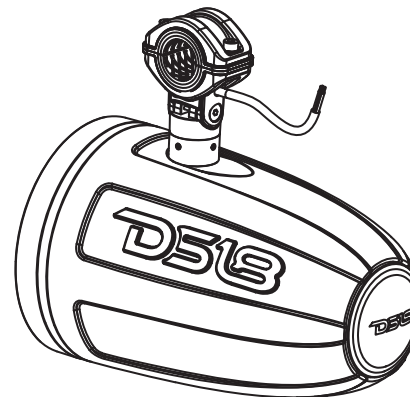
#WELIKEITLOUD



To Tower speaker (channel A)



To Tower speaker (channel B)





WARNINGS!

1. Be sure to carefully read and understand the instructions before attempting to install these speakers.
2. For safety, disconnect the negative battery terminal from the battery prior to beginning the installation.
3. For easier assembly, we suggest you have all your tools handy- Drill, Allen set, Crimps, Soldering iron, wire strippers, heat-shrink, etc
4. Use high quality "Water Proof" connectors for a reliable installation and to minimize signal or power loss.
5. Think before you drill! Be careful not to cut or drill into gas tanks, fuel lines, brake or hydraulic lines, vacuum lines or electrical wiring when working on any vehicle. If installation in a boat, take care not to cut or drill through the main hull.
6. Never run wires near fuel lines or power (if possible) . Running the wires inside the hull area provides the best protection.
7. Avoid running wires over or through sharp edges. Use rubber or plastic Grommets to protect any wires routed through metal, especially the tower.
8. Make sure that the mounting clamps are tight before leaving the dock
9. Decide early what type of LED lighting you want (if any) and wire accordingly (NOTE: if you want "Dancing lights" look to the WIFI Or RF remote controlled LED light box. The easy way to have lighting ...YOUR way!)

PACKING INCLUDES:

- 1 Pair Marine, Motorcycles & ATV / UTV
- 1 Piece 6mm Hex wrench Chromed
- 1 Piece 5mm Hex wrench Chromed
- 1 Piece 2.5mm Hex wrench Chromed
- 1 Pair 1.75" NBR Pad for 1.75" Tube
- 1 Pair 1.5" NBR Pad for 1.5" Tube

BEGINNING MOUNTING

Step 1: Remove tower speakers from the packaging and ALL hardware

Step 2: Find a GOOD location that allows for easy wiring of the speaker (and LED lights) - PLUS does NOT impair your movement around the location

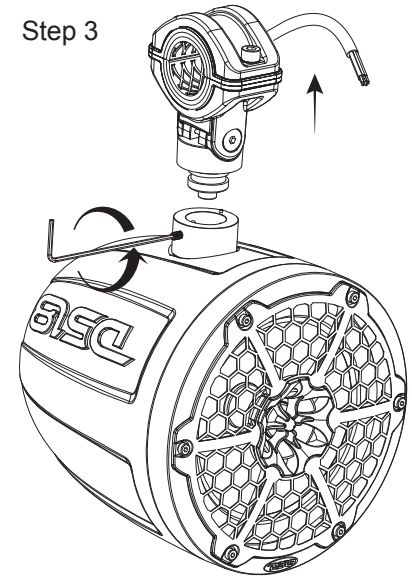
Step 3: Using the supplied 2.5mm hex wrench spin out the 3-M5 no head screw about 5mm, that hold clamp and Rotary base

Step 4: Using the supplied 6mm hex wrench remove the 2-M8 bolts that hold the clamp tops onto the clamp bottom of the separate clamp and wire

Step 5: Drill $\varnothing 15 - \varnothing 20$ mm hole on mounting tube bottom align the clamp wire out hole

Step 6: Connect the speaker wire AMP out and LED controller, Insulated lock the clamp to tube

Step 3



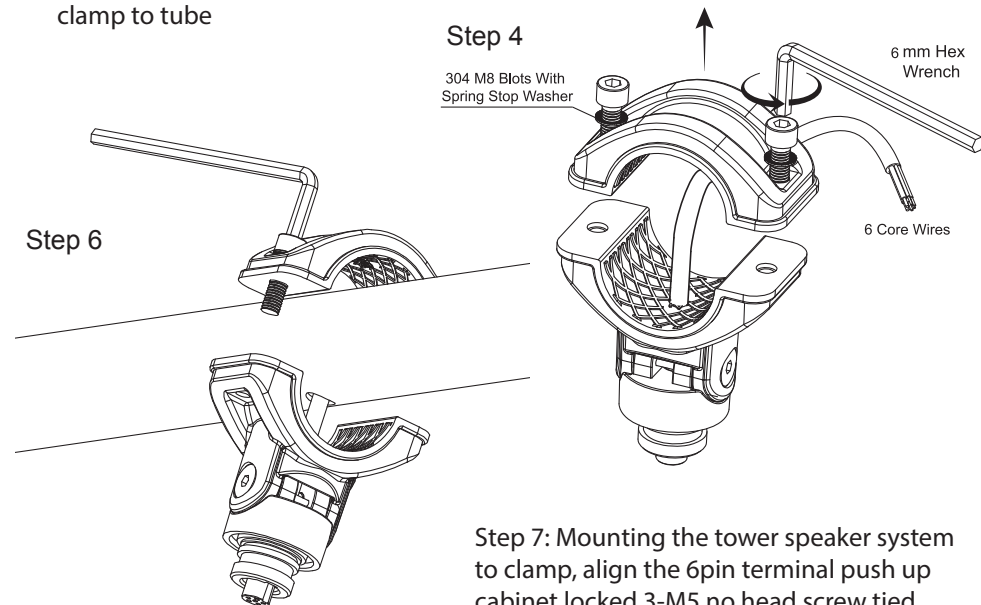
Step 4

304 M8 Bolts With Spring Stop Washer

6 mm Hex Wrench

6 Core Wires

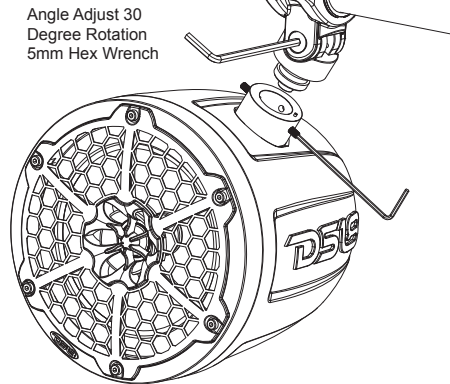
Step 6



Step 7: Mounting the tower speaker system to clamp, align the 6pin terminal push up cabinet locked 3-M5 no head screw tied



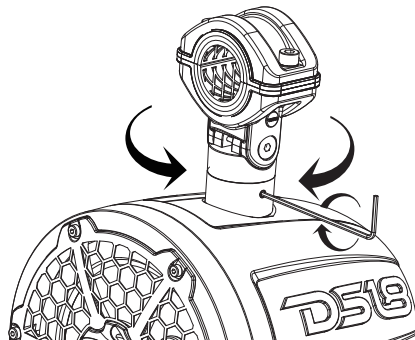
Step 8: If need be, rotate the speakers for best dispersion. This easily done by locating the 2.5mm hex wrench set screw on the side of the mounting clamp. Once located release it using the included 2.5mm hex wrench so that you may rotate the speaker / enclosure to the desired angle. Once there... lock the Allen down.



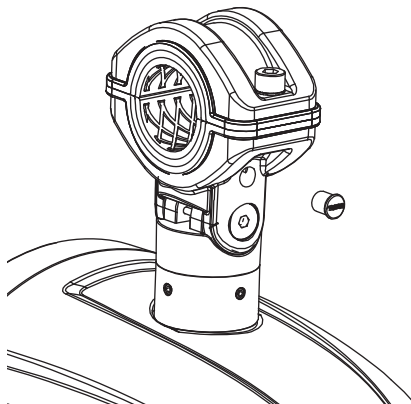
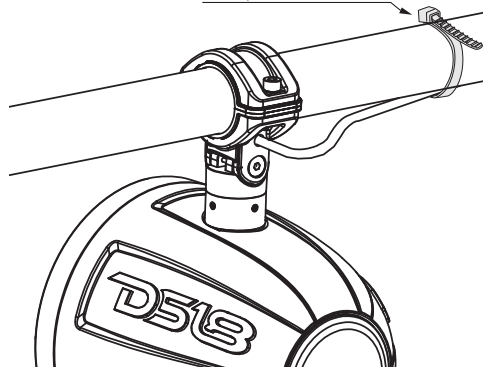
Step 9: During the mounting process you should have located the spot to drill your tower bar for the 6 conductor wire (Speaker and RGB lightning wiring) insertion. Or NOT (see Tie-wrap solution below)

Step 10: Remove Wire NBR Plug and Slide the wire threw the hole Snake the wire down to the bottom of the tower tube in a location that the wires can be attached to the audio (And lighting) system. Solder or butt connect the speaker wire coming from the tower to the speaker wire to the system. Then heat-shrink it for added protection from water / moisture.

Clamp 360 Degree Rotation

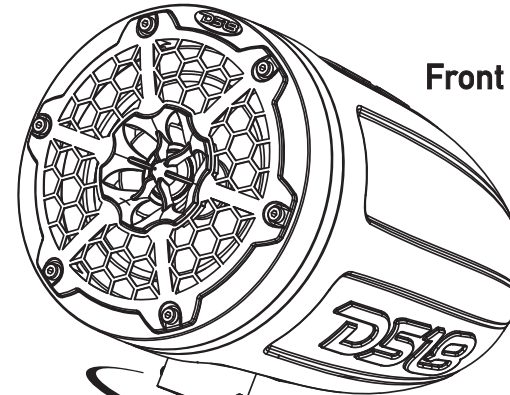


Tie-Wrap across Tower Tube

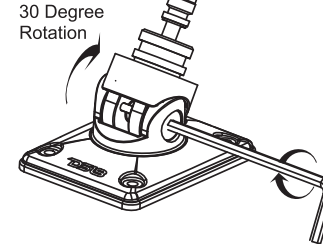


Step 11: When you want to flat or tube mounting, removed the clamp and take out the 6 core with threw it into flat or tube mounting bracket, then assembly it, see below assembly show

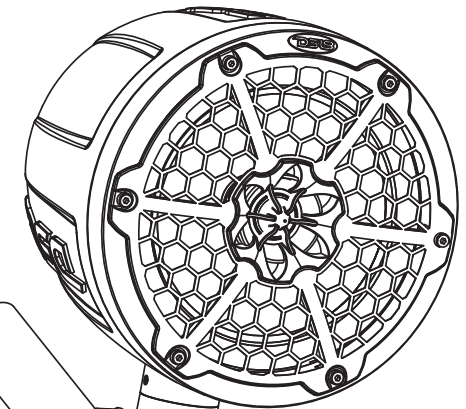
Front Logo Can Rotation



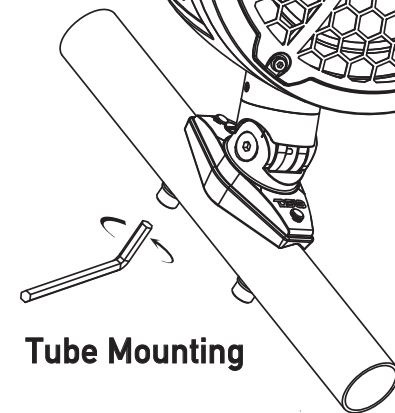
30 Degree Rotation



Flat Mounting



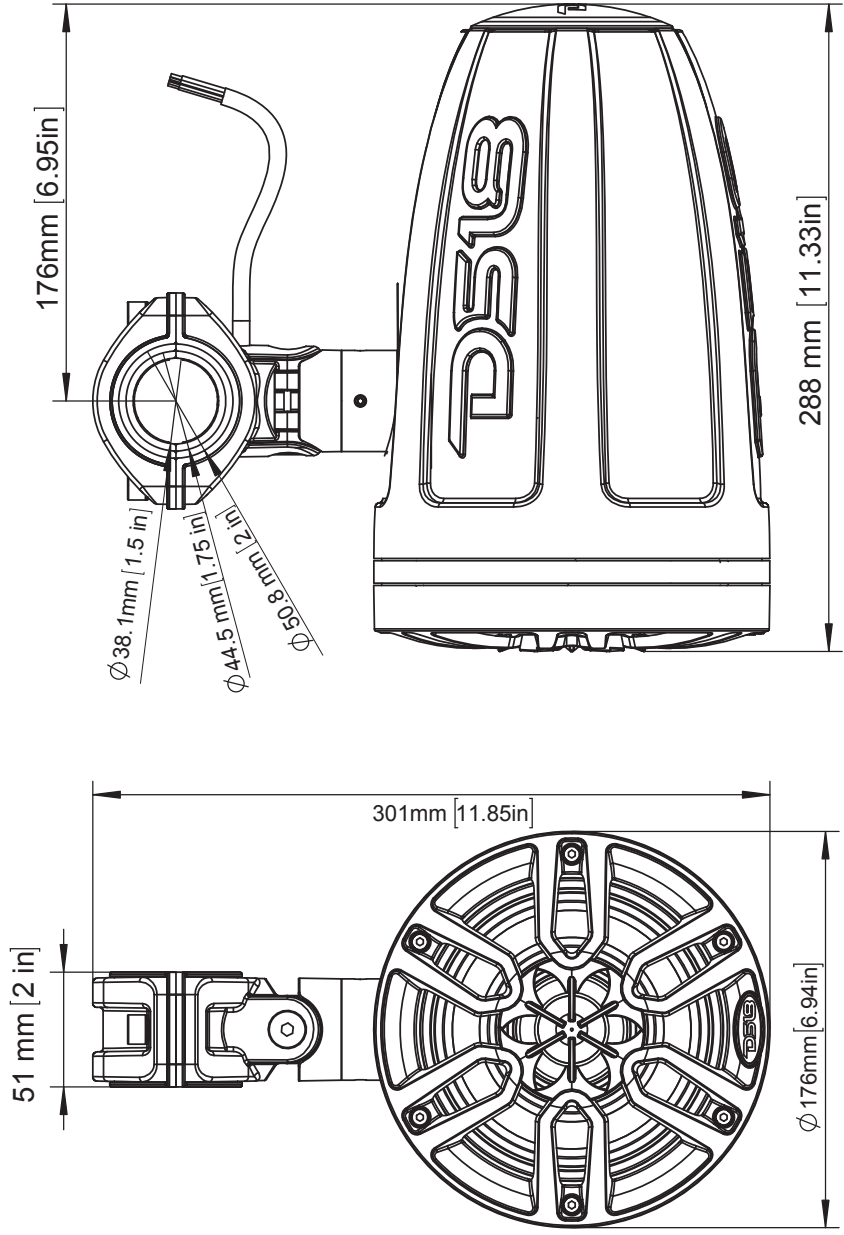
Tube Mounting





DIMENSIONS

НХЛ6ТРШНЕО / CF6ТРВНЕО



НХЛ8ТРШНЕО / CF8ТРВНЕО

