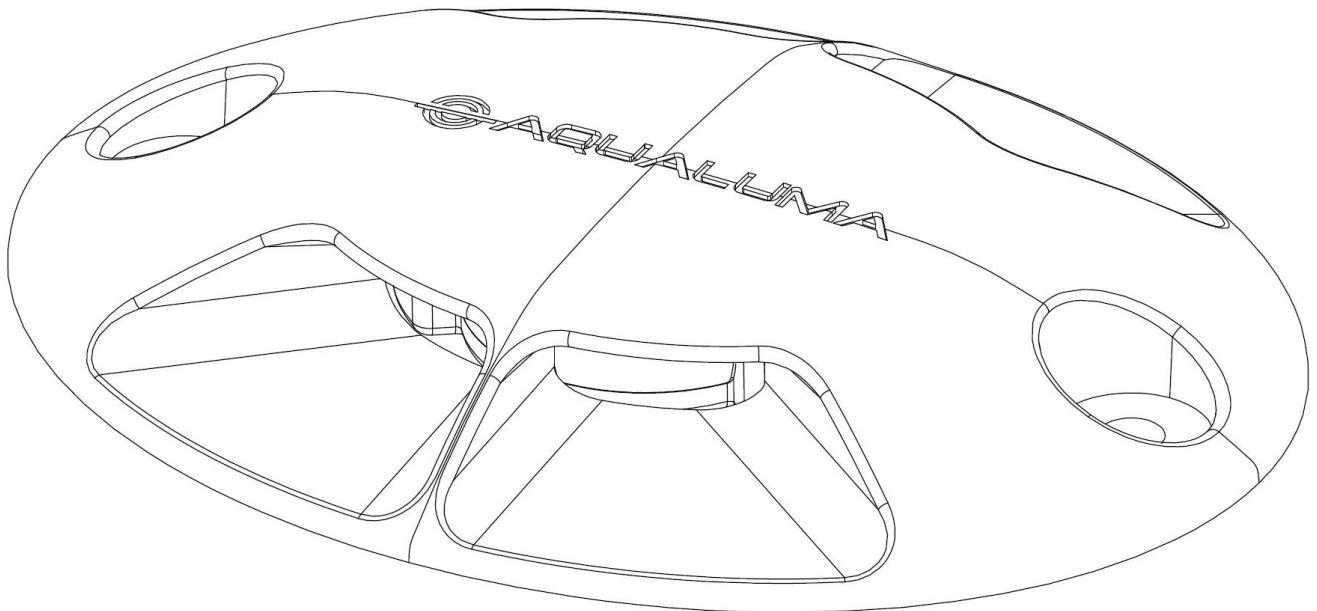




AQUALUMA®

## PATHWAY LIGHT



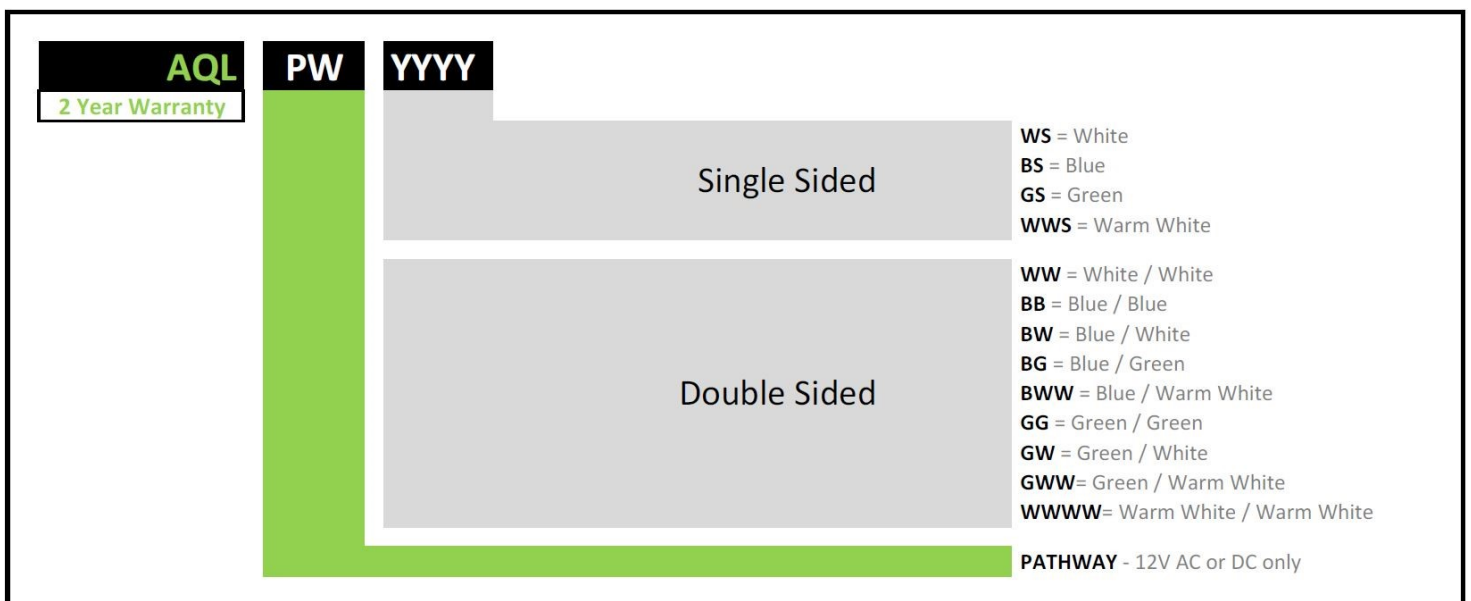
### Warranty & Installation Instructions



AQUALUMA®

Congratulations on purchasing your Australian Designed & Manufactured lighting fixture from Aqualuma LED Lighting. This fixture uses state of the art LED technology to illuminate industrial & marine areas effectively, whilst dramatically reducing maintenance costs and ongoing power consumption.

Warranty & Installation Instructions: June 2018  
Product Brand: Aqualuma LED Lighting  
Product Name: Pathway Light  
Product Code: (refer to your purchase records for your exact model)



**PLEASE READ THESE INSTALLATION INSTRUCTIONS CAREFULLY BEFORE INSTALLING, OPERATING OR MAINTAINING THIS LUMINAIRE.**

**THIS PRODUCT MUST BE MAINTAINED AND OPERATED IN ACCORDANCE WITH THESE INSTALLATION INSTRUCTIONS, FAILURE TO DO SO MAY DAMAGE THE PRODUCT, REDUCE ITS EFFECTIVENESS, LIFE EXPECTANCY, AND MAY VOID THE WARRANTY.**



## WARRANTY:

All Aqualuma Pathway Lights have a commercial warranty covering the product for 2 years from the date of purchase to the terms set out below:

### Terms of Warranty:

The Aqualuma Pathway Light commercial warranty insures the product to be free of defects in workmanship and materials for a period of 2 years from date of purchase. This commercial warranty includes all components, including LED chips and internal electronics. This commercial warranty covers all operation cycles up to 24 hours a day, 7 days a week.

### Warranty covers:

Aqualuma reserves the right to view proof of purchase prior to replacement or repair. Aqualuma reserves the right to inspect the defective luminaire prior to replacement or repair. Aqualuma offers at their discretion, either a complete and full replacement, or repair of the faulty luminaire, including return freighting of the replacement or repaired luminaire. Aqualuma will not be held accountable for any costs associated with the removal or return of the defective luminaire, nor the subsequent re-installation of the replacement luminaire.

### Warranty does not cover:

Installation which is not carried out in accordance with the instructions contained in this document, maintenance other than contained in this document, misuse, neglect, improper installation or natural disasters such as flood, fire, lightning, power spikes, any unauthorized repairs or modifications to the luminaire. Removal or replacement of the product.

**NO USER SERVICEABLE PARTS INSIDE THE LUMINAIRE - OPENING OF THE LUMNAIRE WILL VOID THE WARRANTY.**

### Liability:

Aqualuma's liability in all claims and events is limited to and shall not exceed the purchase price of the Aqualuma product. No affirmation of fact or warranty expressed or implied other than that set out in the warranty statement above is made or authorized by Aqualuma. Aqualuma disclaims any liability claims that are due to misapplication, improper selection or misuse. Any liability for consequential or accidental damages or costs is expressly disclaimed.

In the unlikely event that you have an issue with your Aqualuma product, please contact Aqualuma or your dealer for repair or replacement information.



AQUALUMA®

## 1. SPECIFICATION:

Product Brand:	Aqualuma LED Lighting
Product Name:	Pathway Light
Housing Material:	Marine Grade 316 Cast Stainless Steel
Weight:	385 grams / 0.85 lbs
AC Supply Voltage:	12 V AC / DC only
Operating Temperature:	- 10 ° C to + 45 ° C
Power Consumption:	0.2 amps @ 12 volts - Double Sided
Instant On/ Off:	Standard in all models

## 2. LED PERFORMANCE:

Aqualuma Pathway Light	White	Warm White	Blue	Green	
Current - Double Sided	0.2	0.2	0.2	0.2	(A)
Power Factor	1.00	1.00	1.00	1.00	(λ)
Colour Details	> 70 / 4500K	> 90 / 2700K	470 nm	530 nm	CRI / K, or nm
Luminous Flux per Side	273	186	~	~	(lumens)

## 3. CERTIFICATION:

Ingress Protection:	IP 65 to AS/NZS 60598.1 clause 9.2
Mechanical Impact Protection:	Can safely withstand being driven over by a 5t vehicle



AQUALUMA®

## 5. INSTALLATION:

### 12 Volt AC/DC only.

This light will operate on 12 volts AC or DC. Current draw is 0.2 Amps at 12 volts.

When connecting to a 12 volt DC transformer - connect the red wire to positive and black to negative.

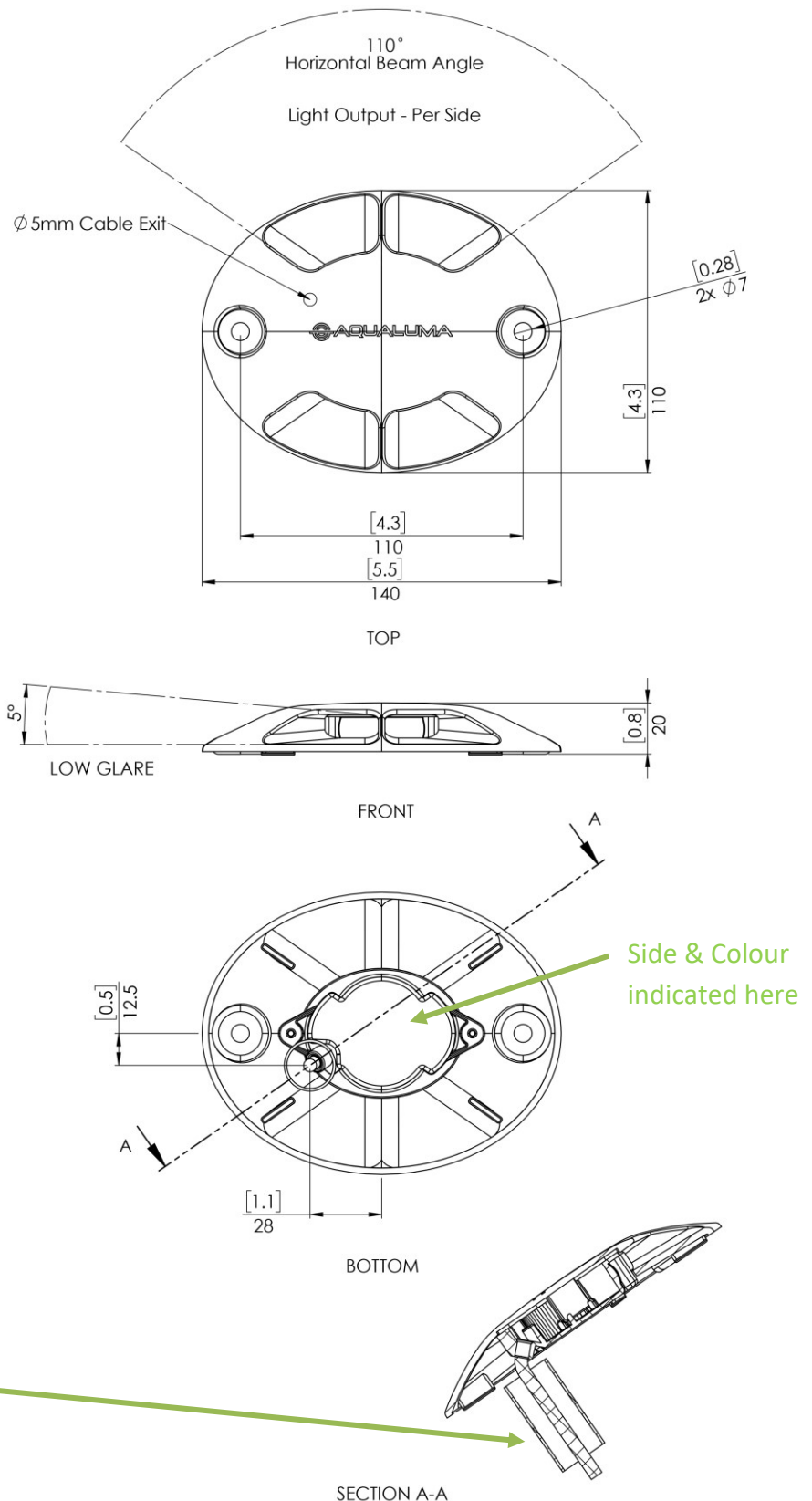
**Reverse polarity protected;** connecting these wires incorrectly for a short time will not damage the light but it will not illuminate.

When connecting to a 12 volt AC transformer – the connections can be either way.

No fixings are supplied with Pathway lights. **It is the responsibility of the installer to ensure fixings used are suitable for the substrate material.**

When Selecting a suitable fixing for your pathway light, please consider the corrosive effect that dissimilar metals can have. (E.g. Stainless steel and Aluminium). If you are unable to avoid the use of dissimilar metals, please use a non-conductive insulator (E.g. Plastic washer) or a suitable Anti-corrosive jointing compound (E.g. Durolac).

The cable must exit into a 20mm conduit or similar, so that no stress is placed on the cable where it enters the light fitting.

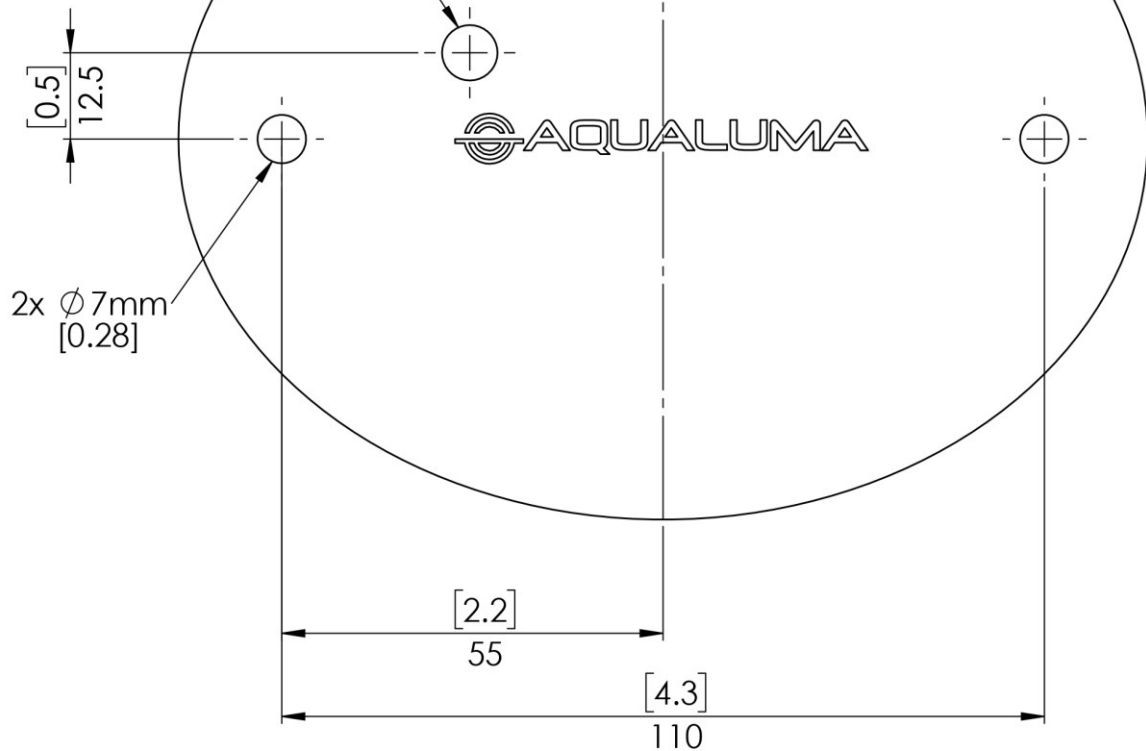




AQUALUMA®

LIGHT OUTPUT - SINGLE SIDED

Ø 8mm [5/16] cable  
exit for conduit



HOLE TEMPLATE - VIEWED FROM ABOVE - NOT TO SCALE

### CAUTION: RISK OF PREMATURE FAILURE -

Ensure that the supply voltage is the same as the rated fixture voltage.

Operation of the fixture in areas where the ambient temperature exceeds the maximum rated operating temperature, as per specification, could reduce the lifetime of the fixture.

To ensure adequate cooling air circulation, do not install the fixture in a confined space.

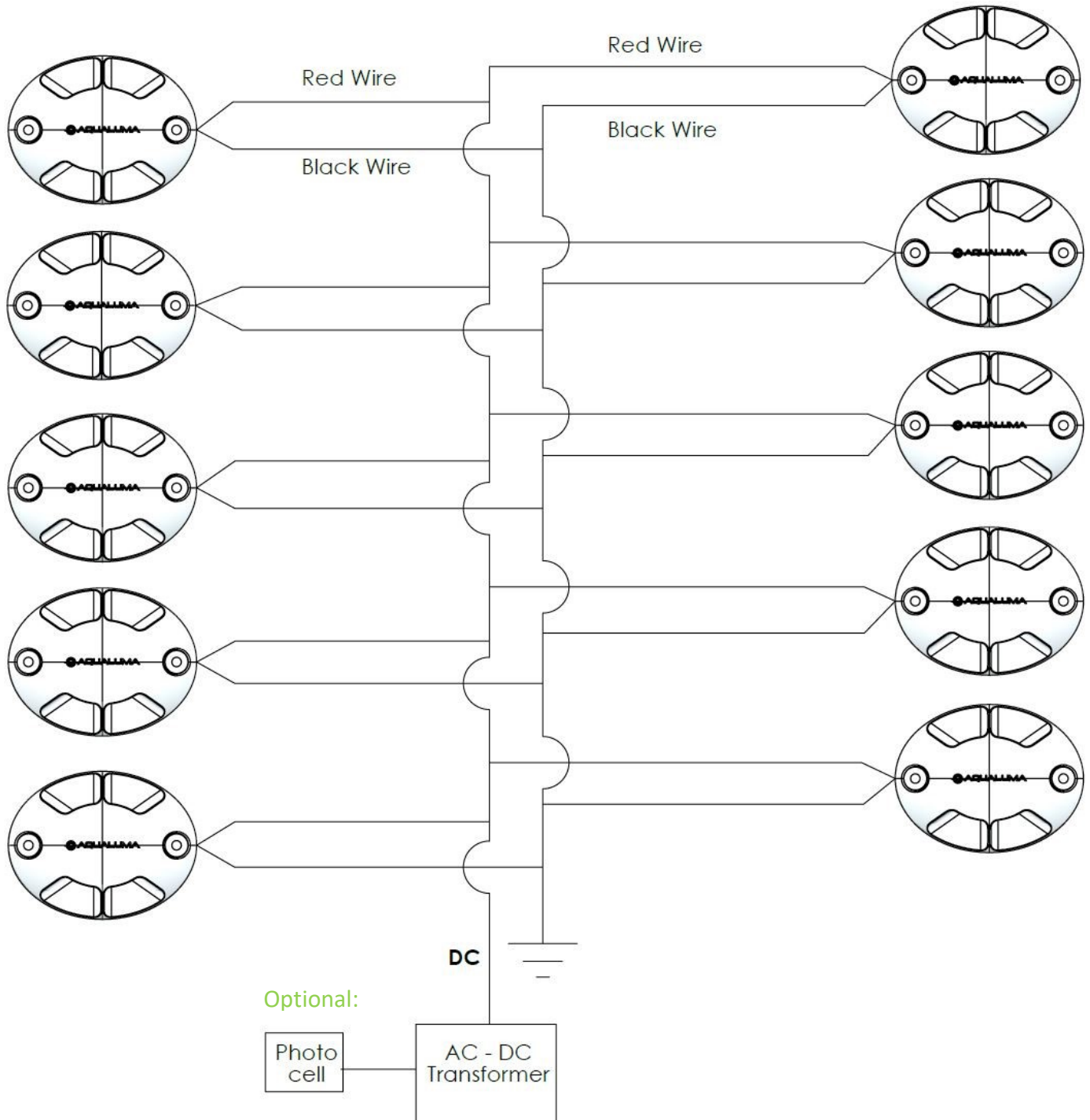


AQUALUMA®

## 6. PARALLEL WIRING:

Calculate wire guage based on 3% voltage drop.

No more than 10 lights per 5 Amp rated power supply.





AQUALUMA®

## 7. MAINTENANCE:

THE LIGHT SOURCE CONTAINED IN THIS LUMINAIRE SHALL ONLY BE REPLACED BY THE MANUFACTURER OR HIS SERVICE AGENT.

NO USER SERVICEABLE PARTS INSIDE THE LUMINAIRE.

OPENING OF THE LUMINAIRE WILL VOID THE WARRANTY.

DO NOT USE A HIGH PRESSURE HOSE or FIRE HYDRANT.

## ACCURACY:

The accuracy or completeness of all statements, technical information and recommendations contained herein was correct at time of print. The purchaser should determine the suitability of the product for his intended use and assumes all risk and liability whatsoever in connection therewith.

Please contact Aqualuma or your service agent directly should you have any concerns.