



File No. E480360.ECBT2 US/ECBT8 Canada

P/N 224-0061, Receptacle-housing
P/N 224-0062, Plug-housing

Connector Installation

1. Determine location for installation, considering position of Battery and Load(s), and that you will need access to the rear of receptacle for cable connection.
2. Use template to make cut out for receptacle installation.
3. Install Receptacle and Gasket/Plug as shown in FIGURE 1. Secure with flat head wood or machine screws depending on your installation requirements.

4. Terminate battery cables to proper positions on the Receptacle studs and secure with washers and nuts provided.

Note: Make connections to correct polarity, using proper size ring terminals for wire gauge.

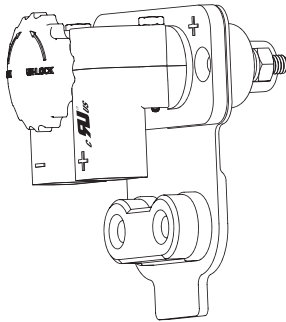
5. Disassemble the Upper Cable Cover and Lower Cable Cover as shown in Figure 2 and retain hardware. Route the Load cables through the Lower Cable Cover as shown in FIGURE 2. Terminate cables to the proper terminals on the plug using the washers and nuts provided.

Note: Make connections to correct polarity, using proper size ring terminals for wire gauge.

6. Reassemble the Upper and Lower Cable Covers using the retained hardware and retainer plate. The use of a Threadlocker solution on the retainer and screw threads will help keep it from vibrating loose.

FIGURE 1

CONNECTOR ASSEMBLY & GASKET/PLUG



General Maintenance

1. Keep contacts clean and free from dirt, surface corrosion etc. Clean with a soft cloth and lubricate with general purpose light lubricating oil, do not use silicone based lubricants.
2. Visually inspect the silver plating on the contact pins for pitting, wear and corrosion. Replace connector assembly if there is excessive discoloration, corrosion or pitting of contacts.

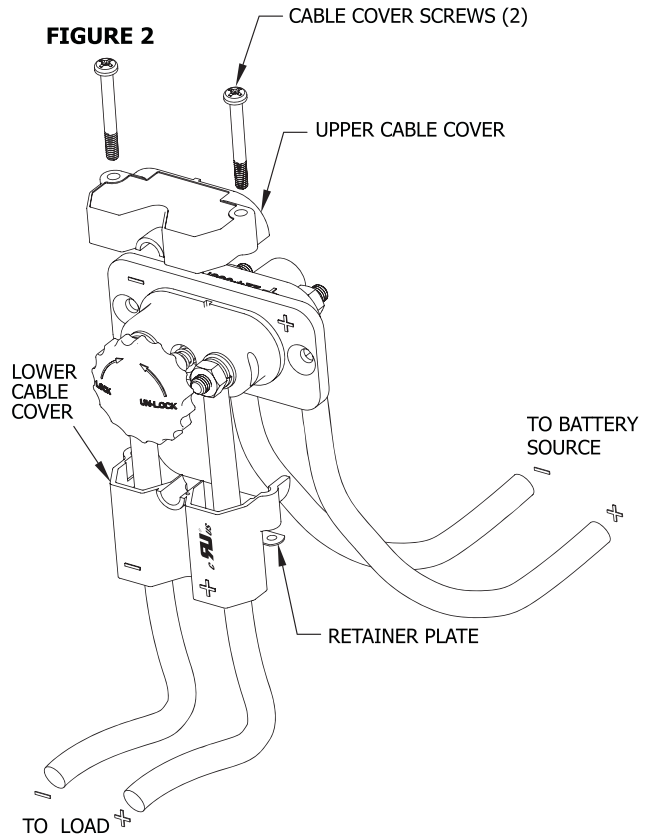
Optional Equipment, not supplied with this product

Stainless Steel Angle Bracket – part # 403-0006-1

Stainless Steel Flat Bracket – part # 403-0006-3

Cable Ring Terminal Kit – part # 081-0149

FIGURE 2



Template for Drilling Holes

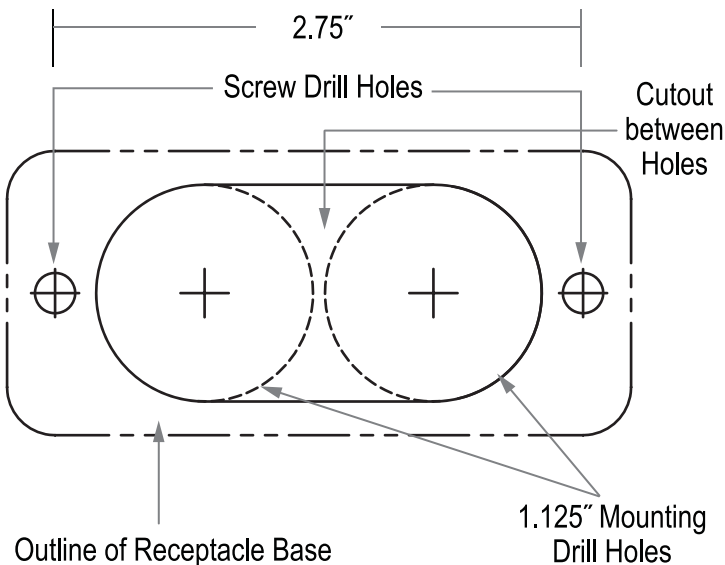
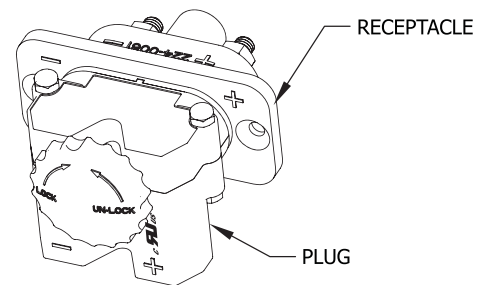
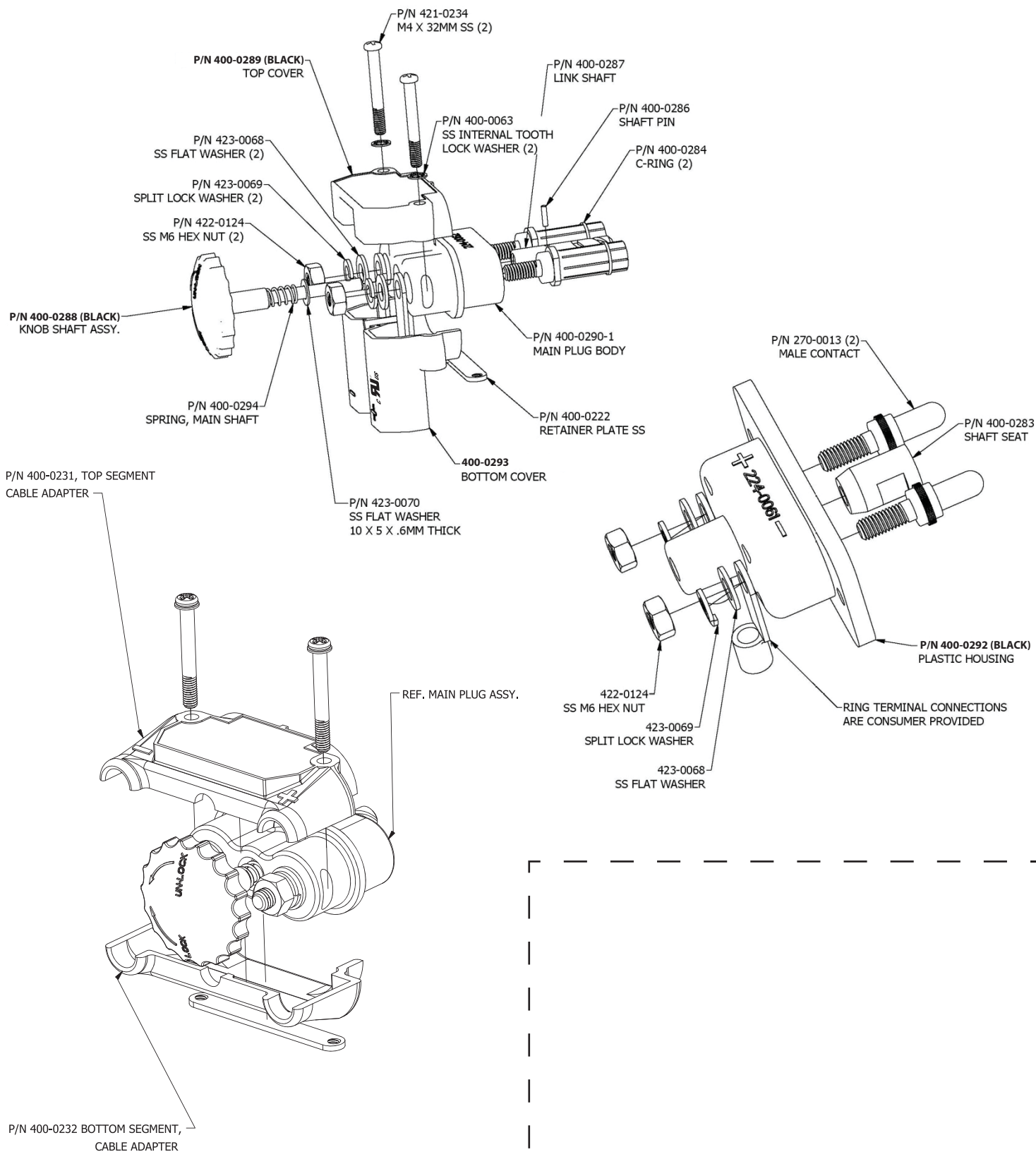


FIGURE 3
CONNECTOR ASSEMBLY



Assembly/Parts List



SPECIFICATIONS

Voltage Rating: 0-48VDC (UL), 0-48VDC (CSA).

Current Rating Amperes (with 6 awg wire connection):
 80amps (UL), 40amps(CSA).

Volts: DC only.

Housing Flammability: UL94HB Class (3) (4)

CAUTION: NOT FOR INTERRUPTING CURRENT.

ATTENTION: NE PAS UTILISER POUR COUPER LE COURANT.

FOR CLASS 2 CIRCUITS ONLY.

UTILISER DANS LES CIRCUITS DE CLASSE 2 SEULEMENT.