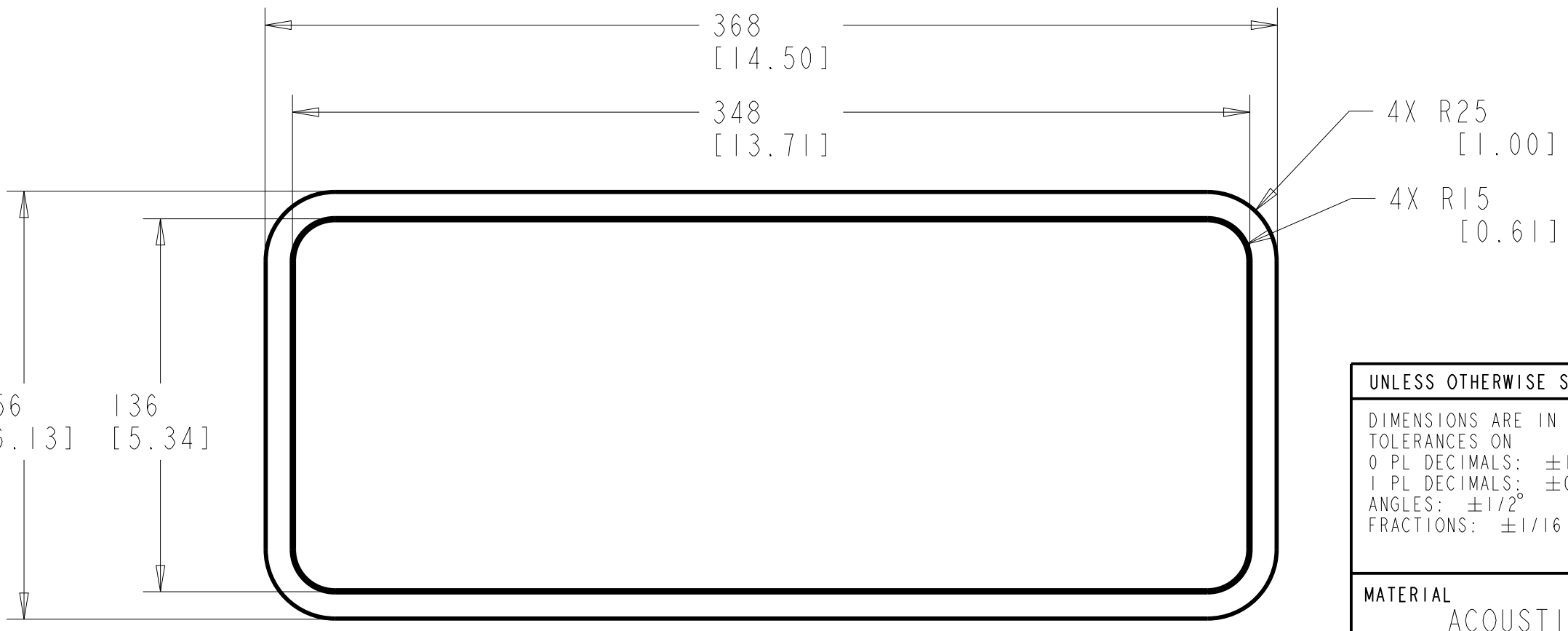
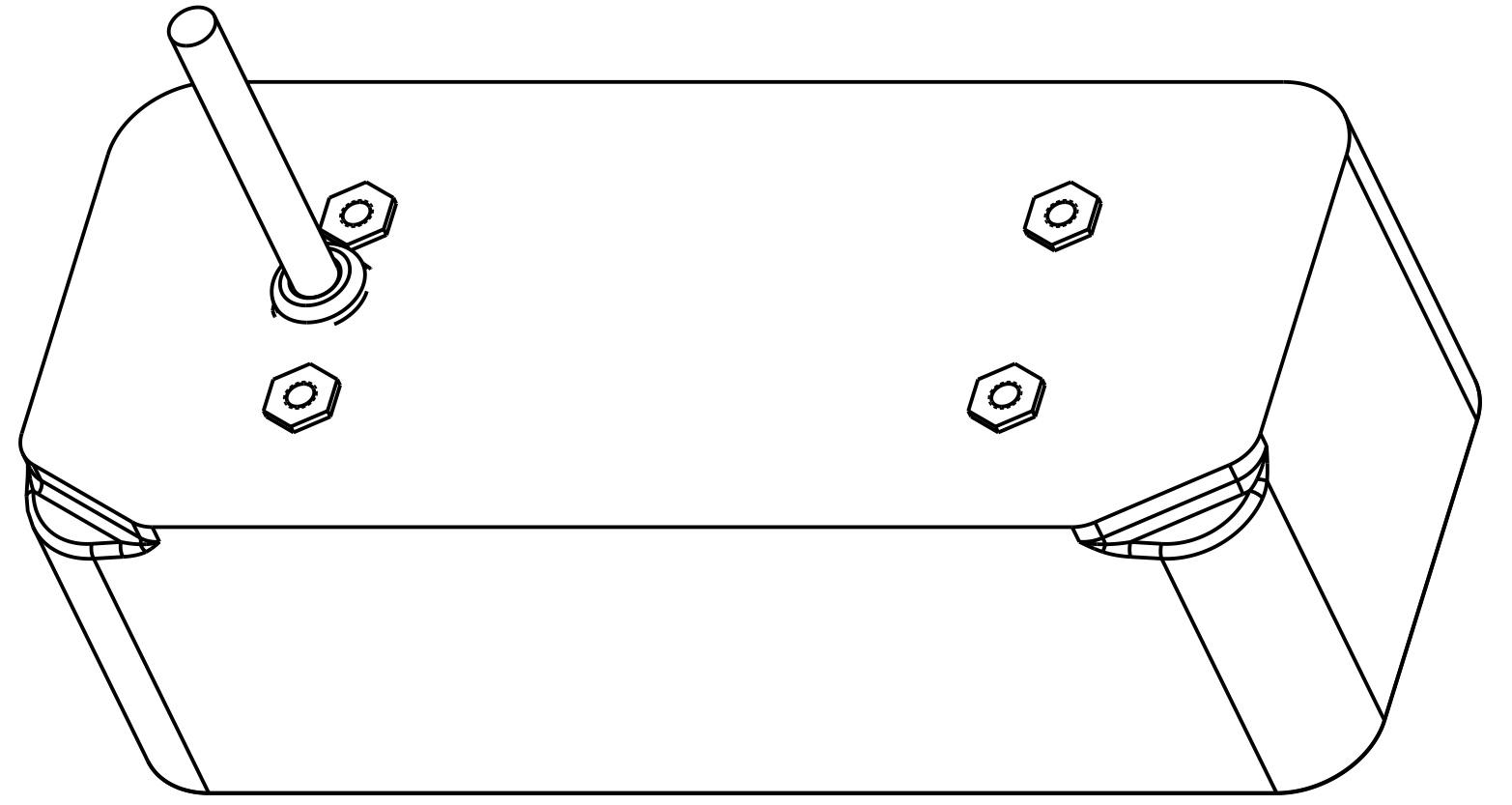
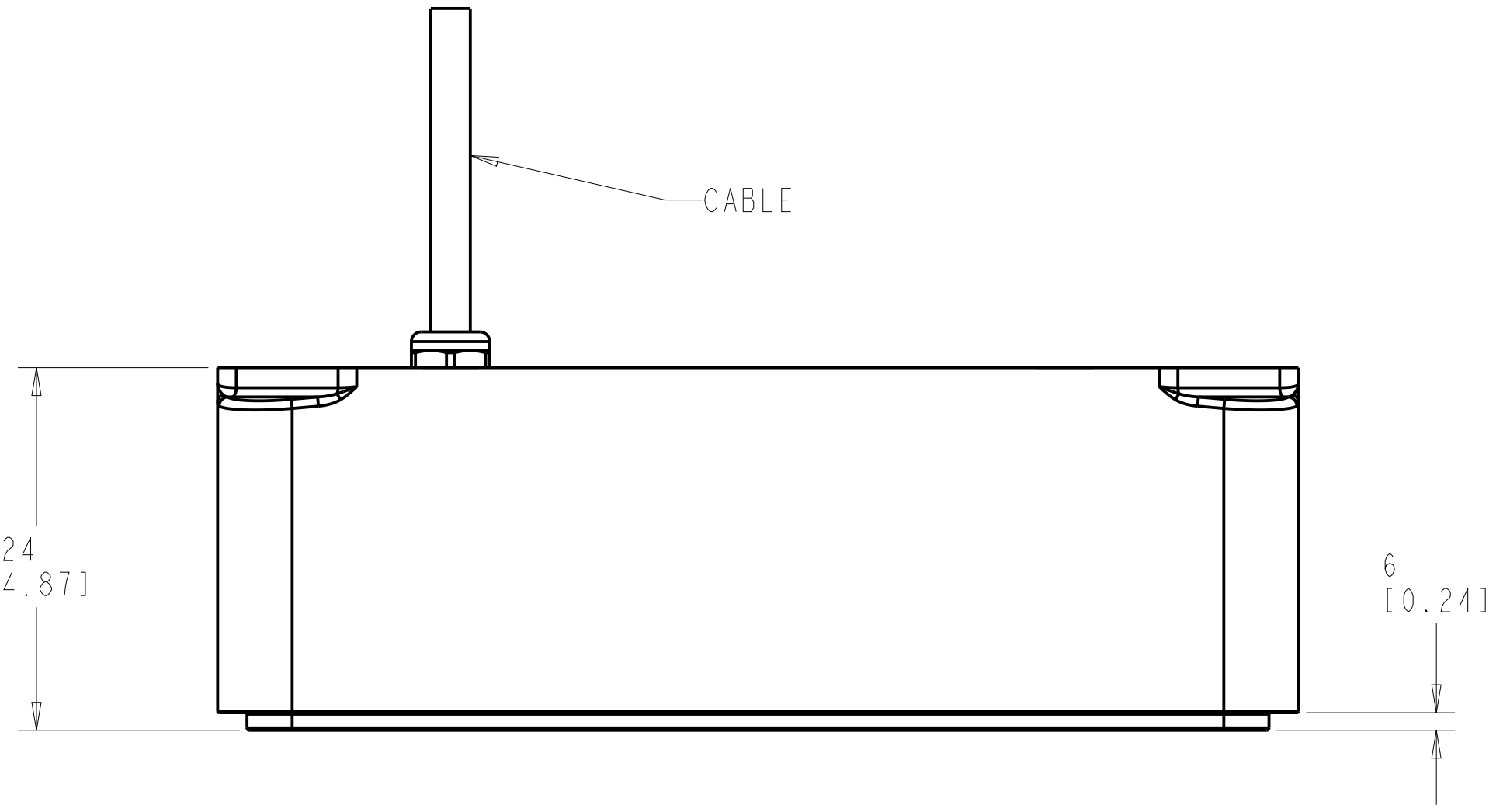
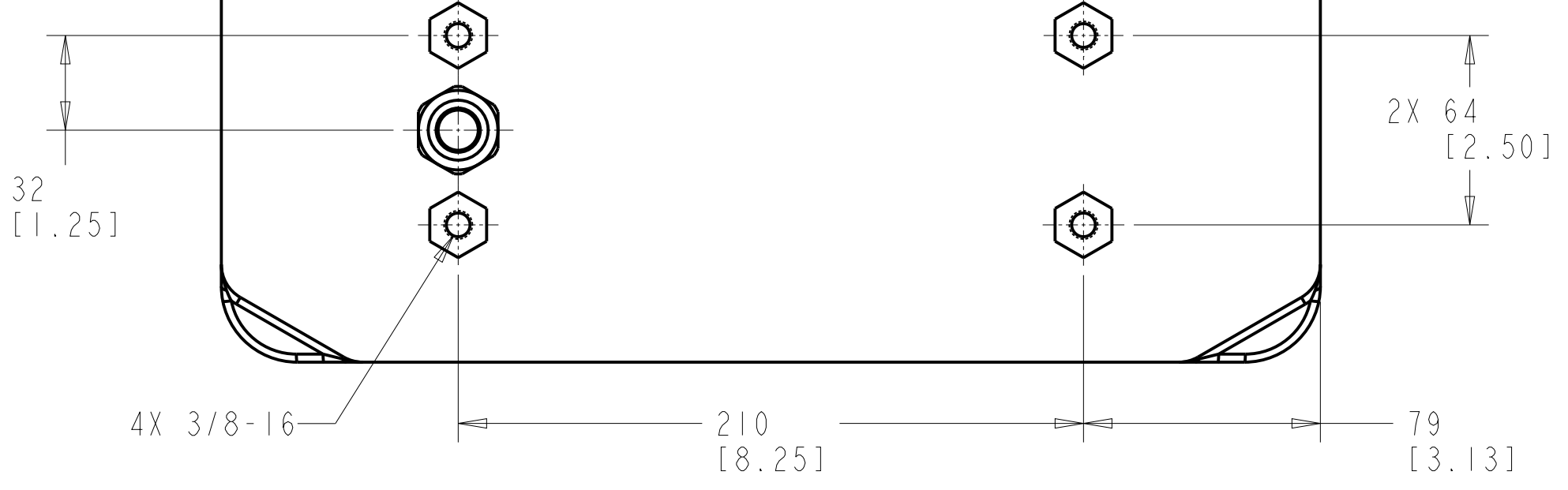


THIRD ANGLE PROJECTION

DOCUMENT REVISIONS				
REV	DESCRIPTION	CO NO.	DATE	CHG/CHK
1	INITIAL RELEASE	--	--	--
2	CHANGE DEFAULT TOLERANCE O PL DECIMAL FROM ±2 TO ±1 MM	4854	02/19/24	RLE/LRS



PART NUMBER	N/A	P/N REV	N/A
-------------	-----	---------	-----

UNLESS OTHERWISE SPECIFIED	SIGNATURE	DATE
DIMENSIONS ARE IN MM TOLERANCES ON 0 PL DECIMALS: ±1 1 PL DECIMALS: ±0.5 ANGLES: ±1/2° FRACTIONS: ±1/16	DRAWN: D.SPALDING	06/04/18
	CHECKED: B.THOMPSON	11/06/19

AIRMAR AIRMAR TECHNOLOGY CORPORATION
35 MEADOWBROOK DR.
MILFORD, NH 03055-4613 USA
TEL: 603-673-9570 FAX: 603-673-4624

TITLE
OUTLINE DRAWING, CM599

MATERIAL	ACOUSTIC WINDOW, HOUSING: EPOXY	SIZE	SCALE: 1/2	DOC NUMBER	DOC REV
		C	SHEET 1 OF 1	D-18908	2

THIS DOCUMENT AND THE DATA DISCLOSED HEREIN OR HEREWITH IS NOT TO BE REPRODUCED, USED, OR DISCLOSED IN WHOLE OR IN PART TO ANYONE WITHOUT THE PERMISSION OF AIRMAR.

CRITICAL DIMENSION (REF) DO NOT SCALE DRAWING