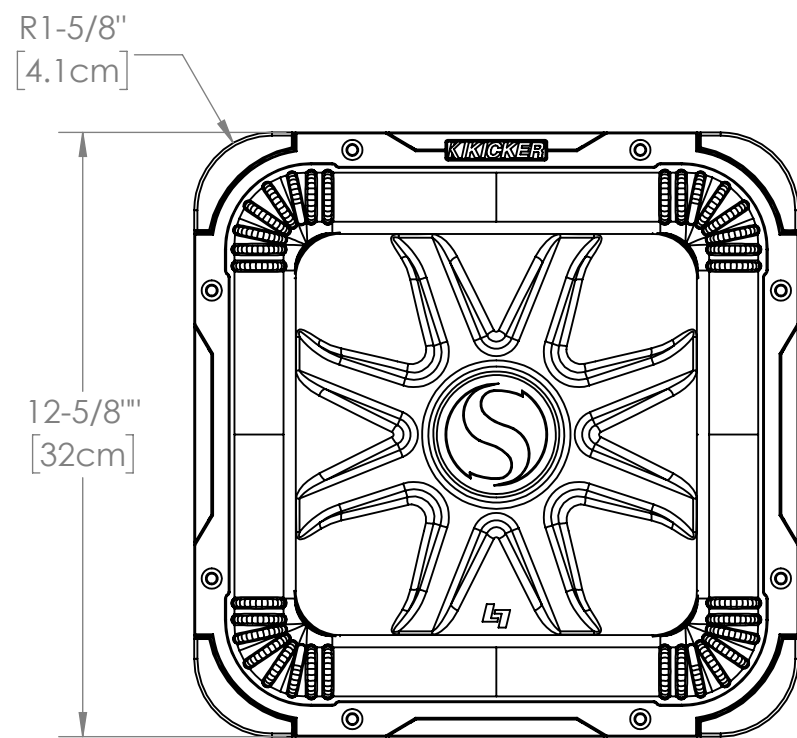
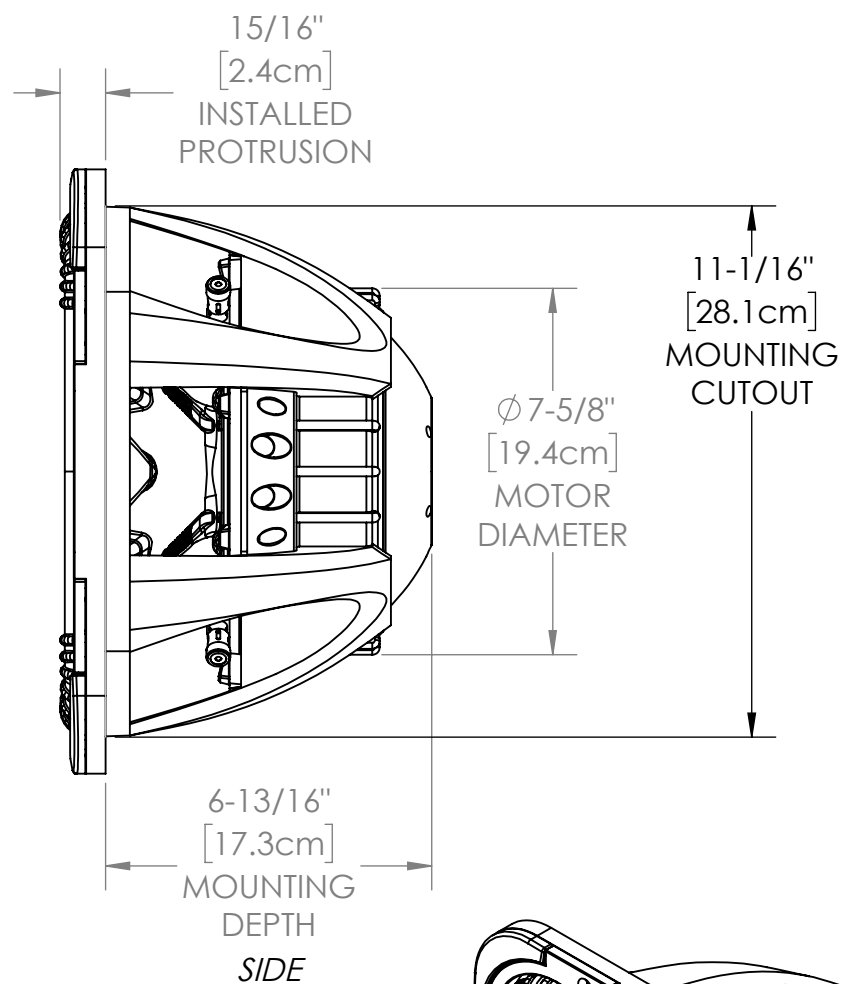


CARTON ART VIEWS/PUBLISHED DIMENSIONS SHEET

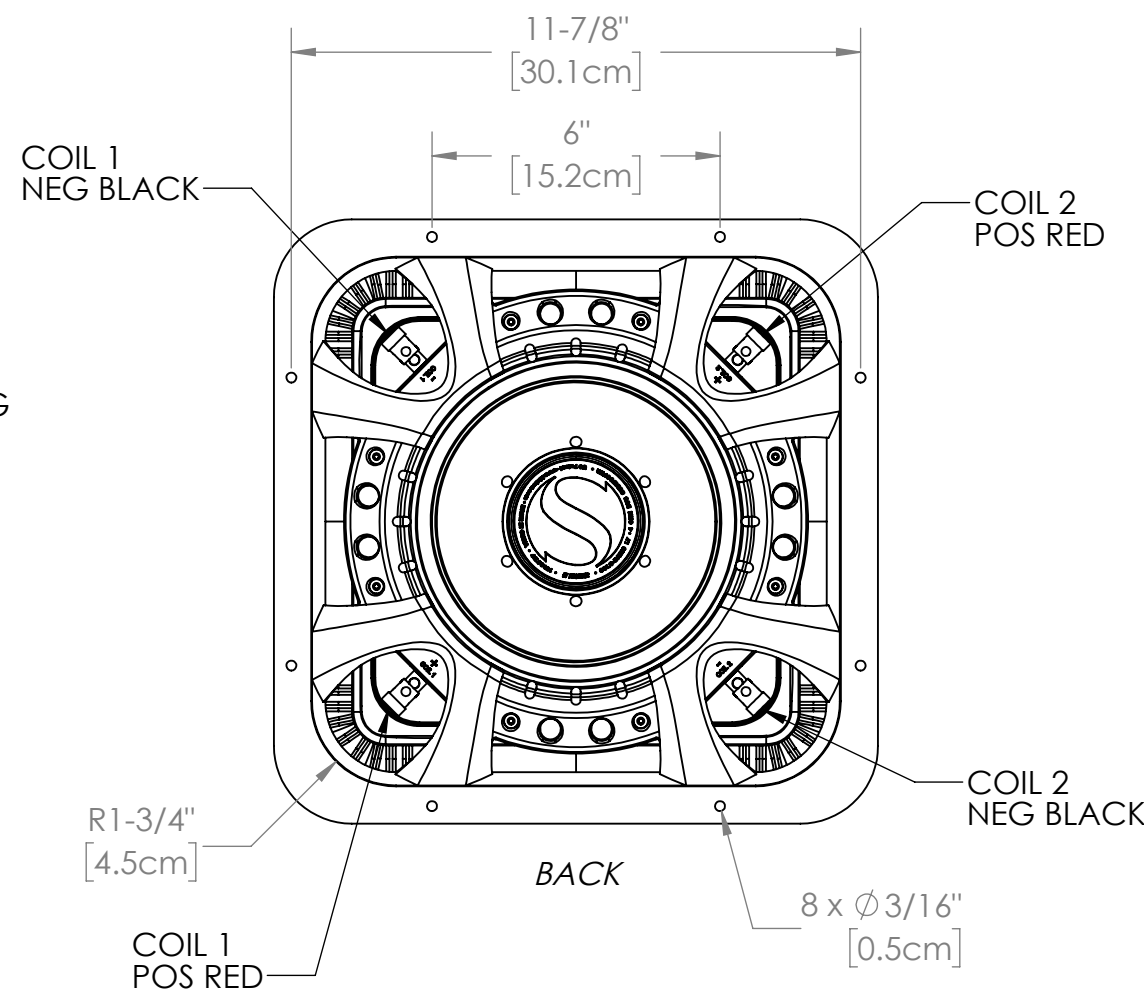
MOUNTING DEPTH DIMENSION ROUNDED UP TO NEAREST 1/16th"
measured inches convert to mm equivalent add 1.6mm=1/16th then software rounds to nearest 1/16th



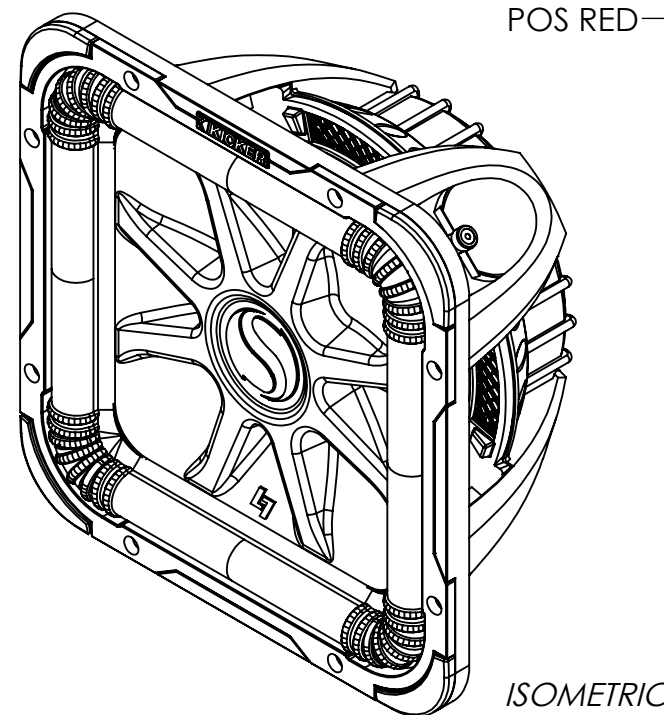
FRONT



MOUNTING DEPTH
SIDE



BACK



ISOMETRIC

Item Number	Impedance
44L7S122	2OHM DVC
44L7S124	4OHM DVC

CUSTOMER SERVICE DIMENSIONS



DESCRIPTION:
12" L7S Subwoofer

SIZE	DWG. NO.	REV	SHEET
B	44L7S12-CSD	A	1/1