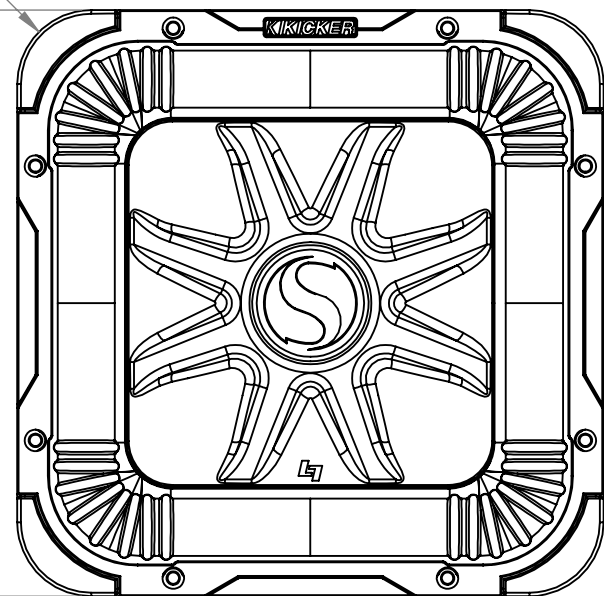


CARTON ART VIEWS/PUBLISHED DIMENSIONS SHEET

MOUNTING DEPTH DIMENSION ROUNDED UP TO NEAREST 1/16th"
measured inches convert to mm equivalent add 1.6mm=1/16th then software rounds to nearest 1/16th

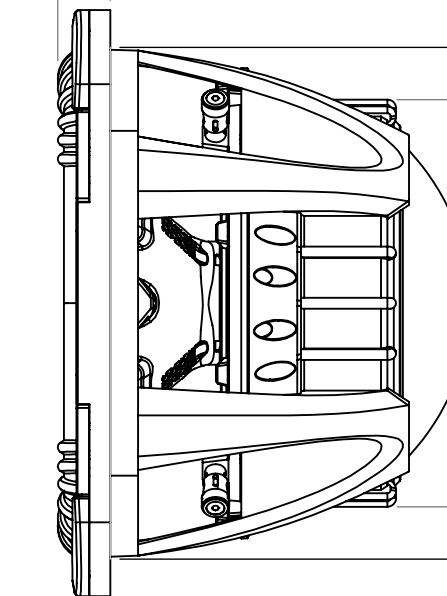
R1-3/8"
[3.4cm]

10-11/16"
[27.1cm]



FRONT

15/16"
[2.4cm]
INSTALLED
PROTRUSION



6-1/4"
[15.9cm]
MOUNTING
DEPTH

SIDE

9-5/16"
[23.7cm]
MOUNTING
CUTOUT

Ø7-7/16"
[18.9cm]
MOTOR
DIAMETER

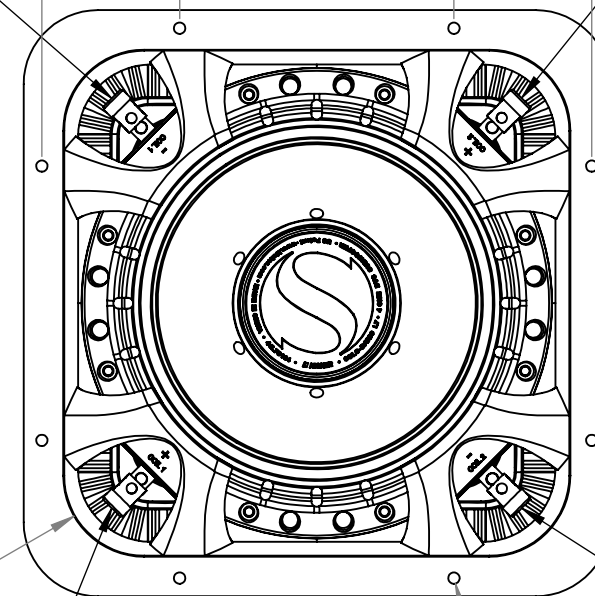
COIL 1
NEG BLACK

R1-1/2"
[3.8cm]

COIL 1
POS RED

10"
[25.5cm]

5"
[12.7cm]

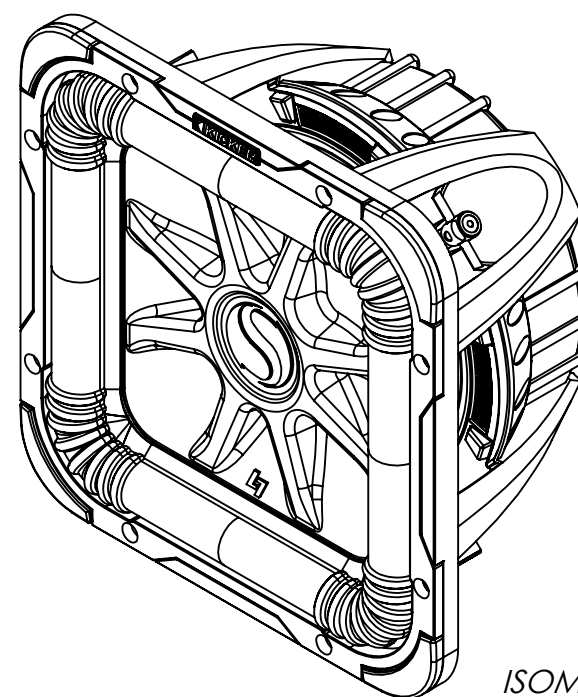


BACK

COIL 2
POS RED

COIL 2
NEG BLACK

8 x Ø3/16"
[0.5cm]



ISOMETRIC

Item Number	Impedance
44L7S102	2OHM DVC
44L7S104	4OHM DVC

CUSTOMER SERVICE DIMENSIONS

KICKER
SD stillwaterdesigns

DESCRIPTION:
 10" L7S Subwoofer

SIZE	DWG. NO.	REV	SHEET
B	44L7S10-CSD	A	1/1