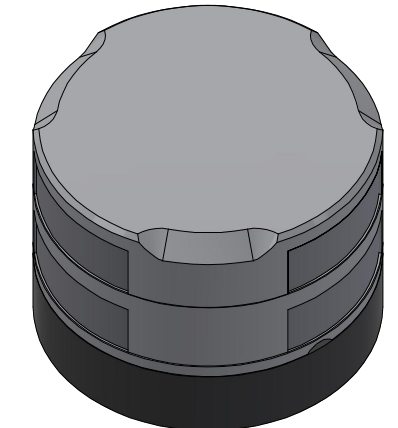
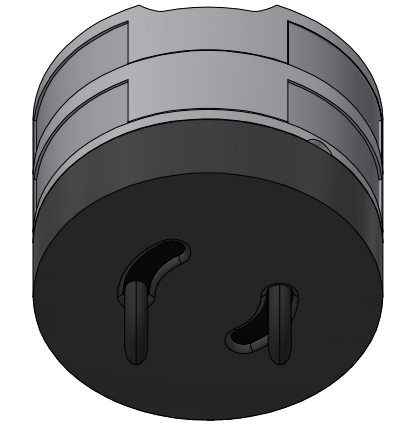
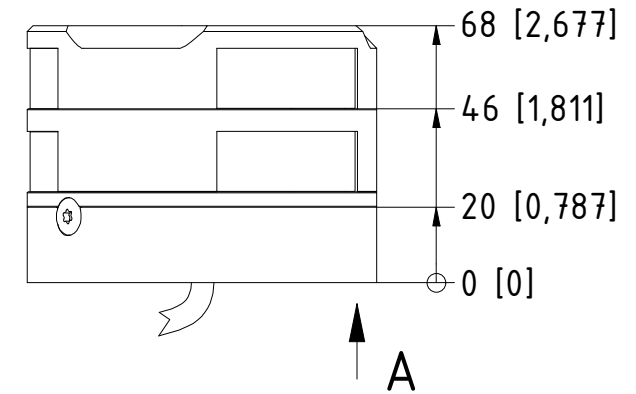
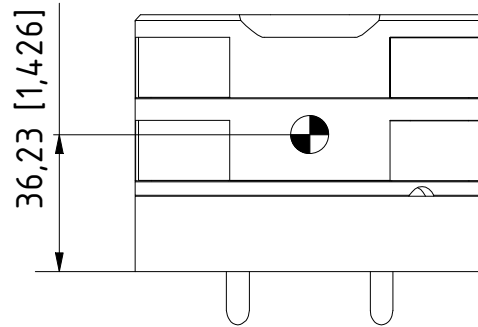
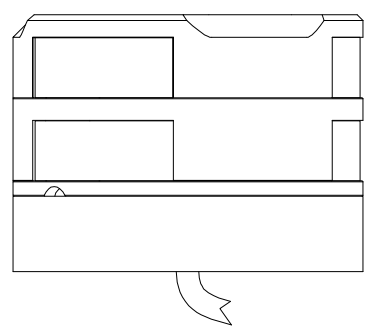
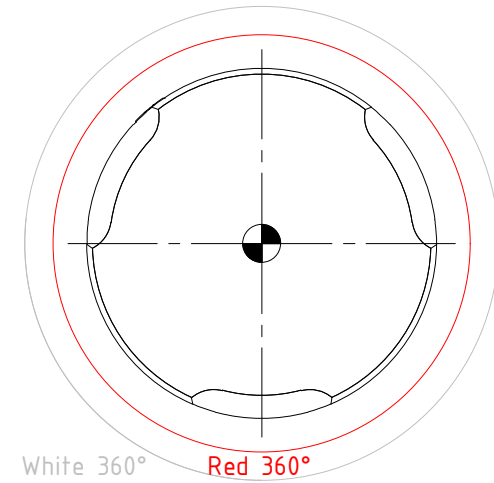
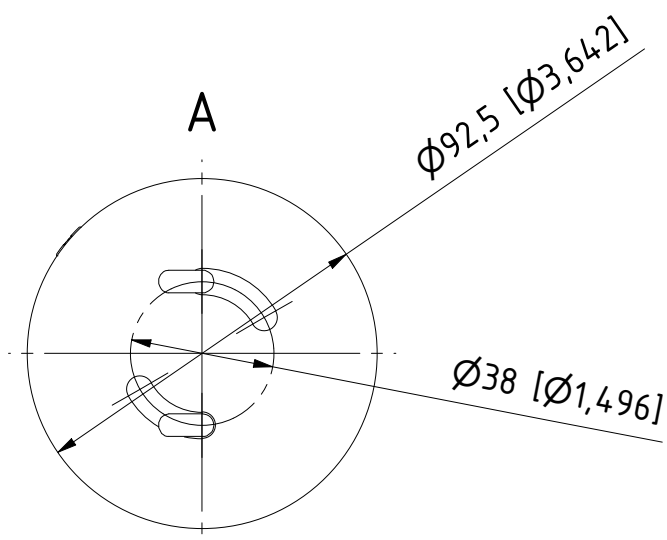


A B C D E F G H I J

1 2 3 4 5 6 7 8



Note:
The PE Plastic base is intended for fitting on site and can be either drilled for mounting screws from above. 6mm screws with nuts and washers are recommended for secure mounting.



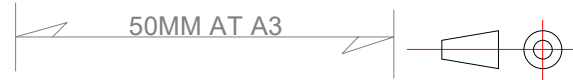
Dimensions : Millimetres [Inches]
Estimated weight: 0,7 kg (1,55 lbs)

TITLE: 200-014G2+012G2 / 201-014+012 2nm 360° Red+2nm 360° White On a 400-038 PE std base					
DRAWING No.:				Sheet No.:	DRAWN BY:
200-014G2+012G2 / 201-014+012				1	LSA
SCALE:	SIZE:	REV. NO.:	TOLERANCES:	REVIEWED BY:	CREATION DATE:
1 : 2	A3		DS/ISO 2768-f		28-07-2023
MATERIAL DESCRIPTION:					
Alu. EN6082, Acrylic, PE (25µ) Silver anodized according to EN ISO 7599 (50µ) Black anodized according to MIL-A 8625F					

LOPOLIGHT

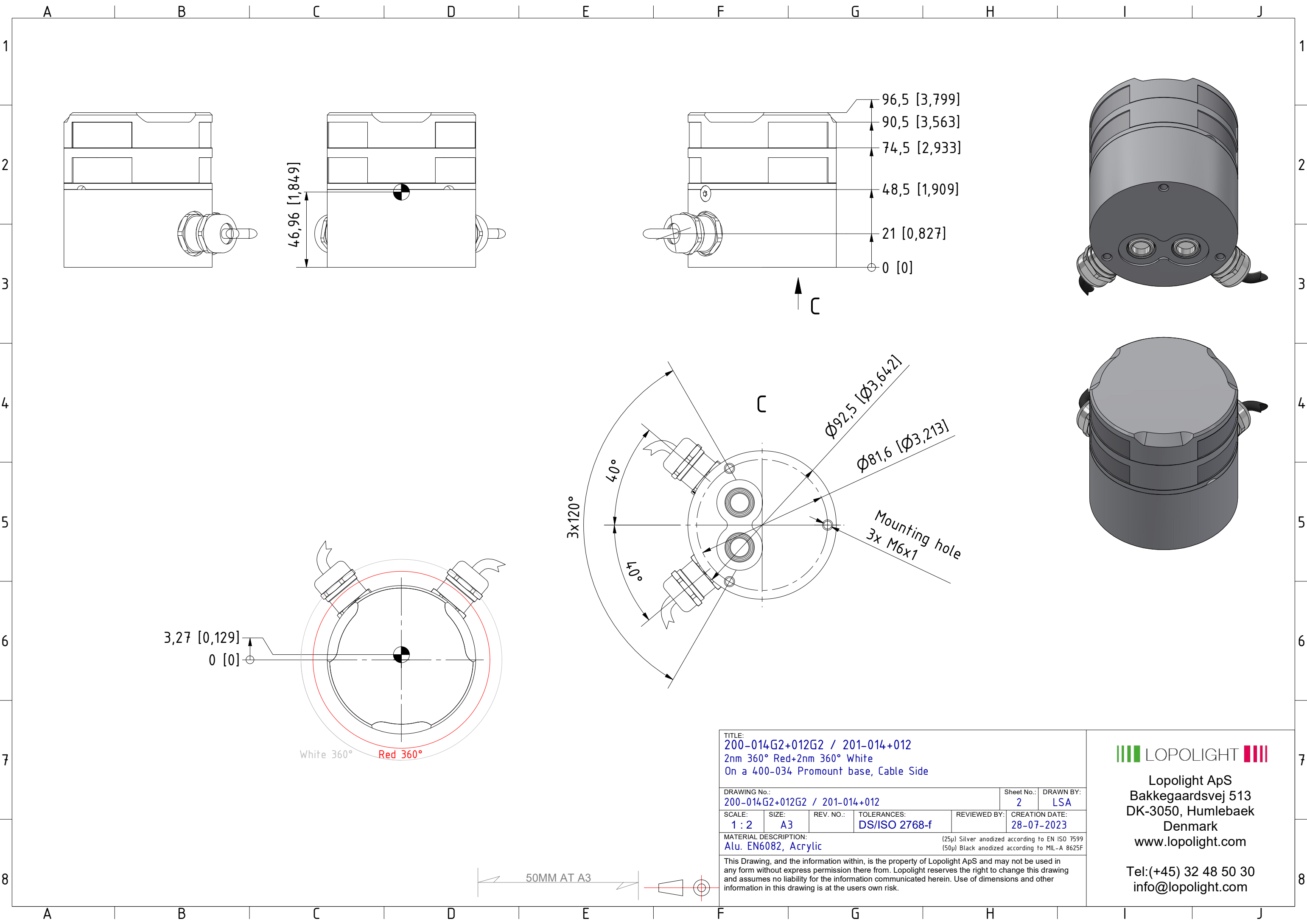
Lopolight ApS
 Bakkegaardsvej 513
 DK-3050, Humlebaek
 Denmark
www.lopolight.com

Tel: (+45) 32 48 50 30
info@lopolight.com



A B C D E F G H I J

8



46,96 [1,849]

96,5 [3,799]
 90,5 [3,563]
 74,5 [2,933]
 48,5 [1,909]
 21 [0,827]
 0 [0]

$\phi 92,5 [\phi 3,642]$
 $\phi 81,6 [\phi 3,213]$
 Mounting hole
 3x M6x1
 3x120°
 40°
 40°

3,27 [0,129]
 0 [0]

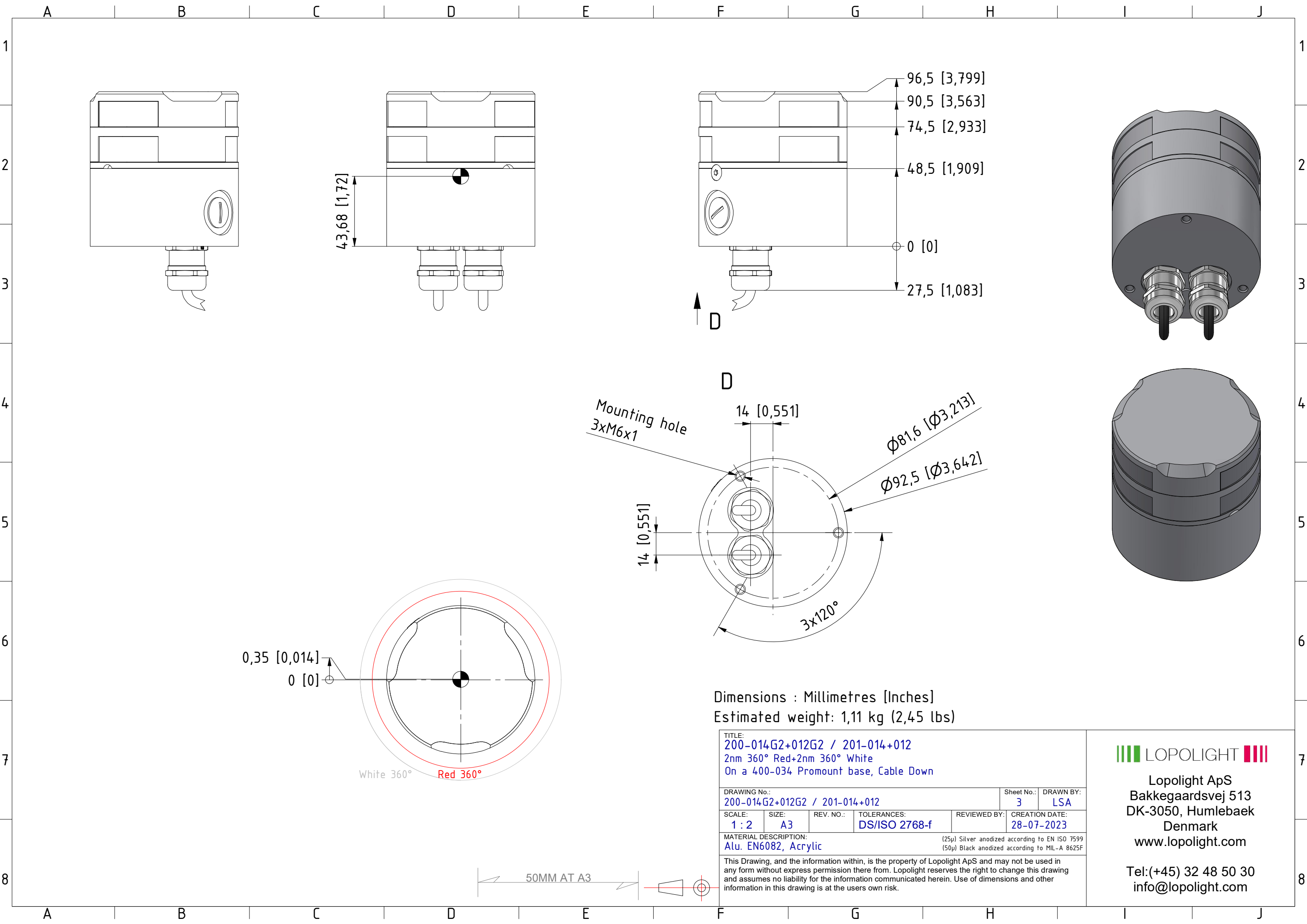
White 360°
 Red 360°

TITLE: 200-014G2+012G2 / 201-014+012 2nm 360° Red+2nm 360° White On a 400-034 Promount base, Cable Side					
DRAWING No.: 200-014G2+012G2 / 201-014+012				Sheet No.: 2	DRAWN BY: LSA
SCALE: 1 : 2	SIZE: A3	REV. NO.:	TOLERANCES: DS/ISO 2768-f	REVIEWED BY:	CREATION DATE: 28-07-2023
MATERIAL DESCRIPTION: Alu. EN6082, Acrylic					
<small>(25µ) Silver anodized according to EN ISO 7599 (50µ) Black anodized according to MIL-A 8625F</small>					

This Drawing, and the information within, is the property of Lopolight ApS and may not be used in any form without express permission there from. Lopolight reserves the right to change this drawing and assumes no liability for the information communicated herein. Use of dimensions and other information in this drawing is at the users own risk.

50MM AT A3

LOPOLIGHT
 Lopolight ApS
 Bakkegaardsvej 513
 DK-3050, Humlebaek
 Denmark
 www.lopolight.com
 Tel:(+45) 32 48 50 30
 info@lopolight.com



Dimensions : Millimetres [Inches]
 Estimated weight: 1,11 kg (2,45 lbs)

TITLE: 200-014G2+012G2 / 201-014+012 2nm 360° Red+2nm 360° White On a 400-034 Promount base, Cable Down					
DRAWING No.: 200-014G2+012G2 / 201-014+012				Sheet No.: 3	DRAWN BY: LSA
SCALE: 1 : 2	SIZE: A3	REV. NO.:	TOLERANCES: DS/ISO 2768-f	REVIEWED BY:	CREATION DATE: 28-07-2023
MATERIAL DESCRIPTION: Alu. EN6082, Acrylic					
<small>(25µ) Silver anodized according to EN ISO 7599 (50µ) Black anodized according to MIL-A 8625F</small>					

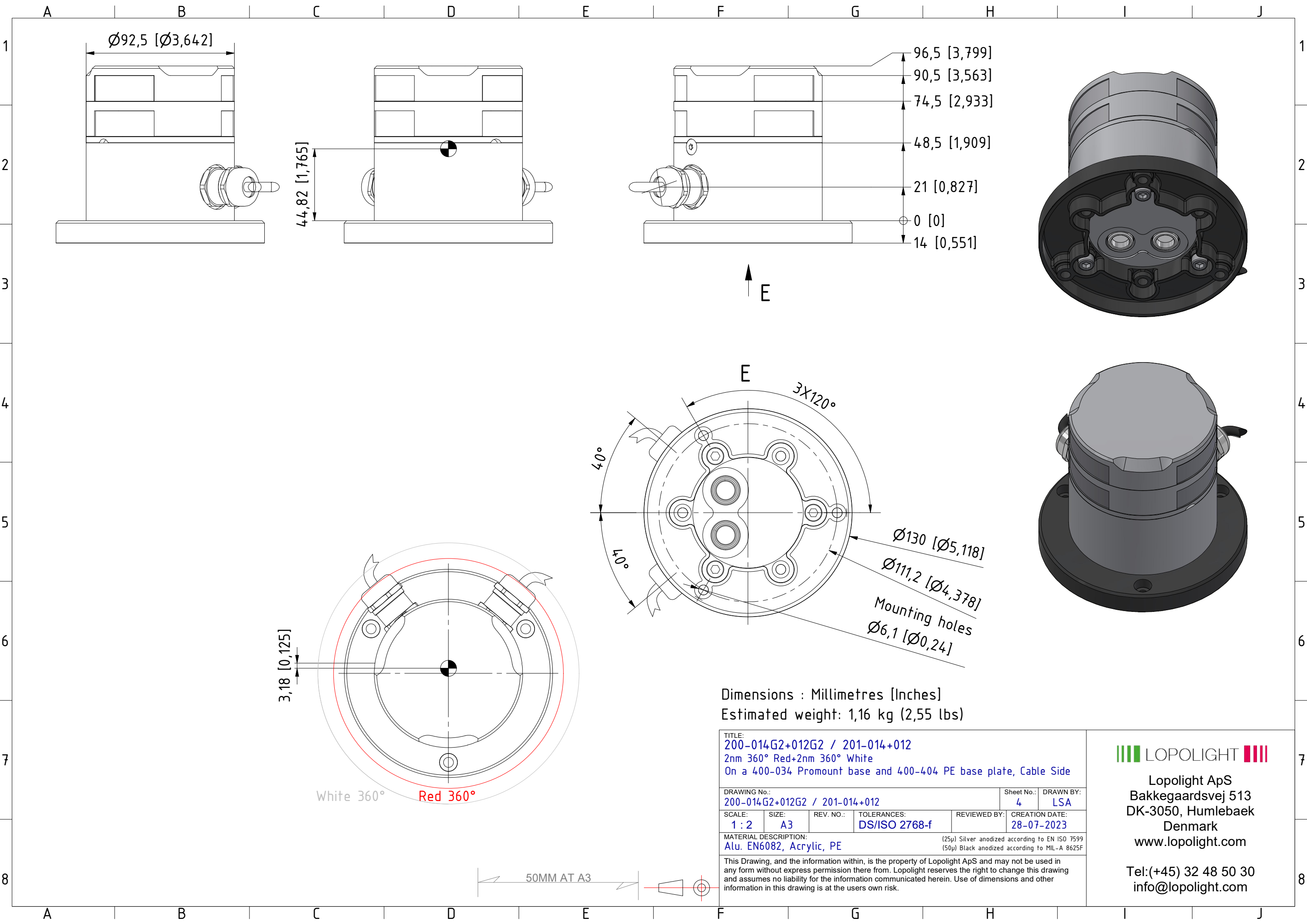
LOPOLIGHT

Lopolight ApS
 Bakkegaardsvej 513
 DK-3050, Humlebaek
 Denmark
www.lopolight.com

Tel: (+45) 32 48 50 30
info@lopolight.com

This Drawing, and the information within, is the property of Lopolight ApS and may not be used in any form without express permission there from. Lopolight reserves the right to change this drawing and assumes no liability for the information communicated herein. Use of dimensions and other information in this drawing is at the users own risk.





Ø92,5 [Ø3,642]

44,82 [1,765]

96,5 [3,799]
 90,5 [3,563]
 74,5 [2,933]
 48,5 [1,909]
 21 [0,827]
 0 [0]
 14 [0,551]

E

E

3,18 [0,125]

White 360°
 Red 360°

3X120°
 40°
 40°
 Ø130 [Ø5,118]
 Ø111,2 [Ø4,378]
 Mounting holes
 Ø6,1 [Ø0,24]

Dimensions : Millimetres [Inches]
 Estimated weight: 1,16 kg (2,55 lbs)

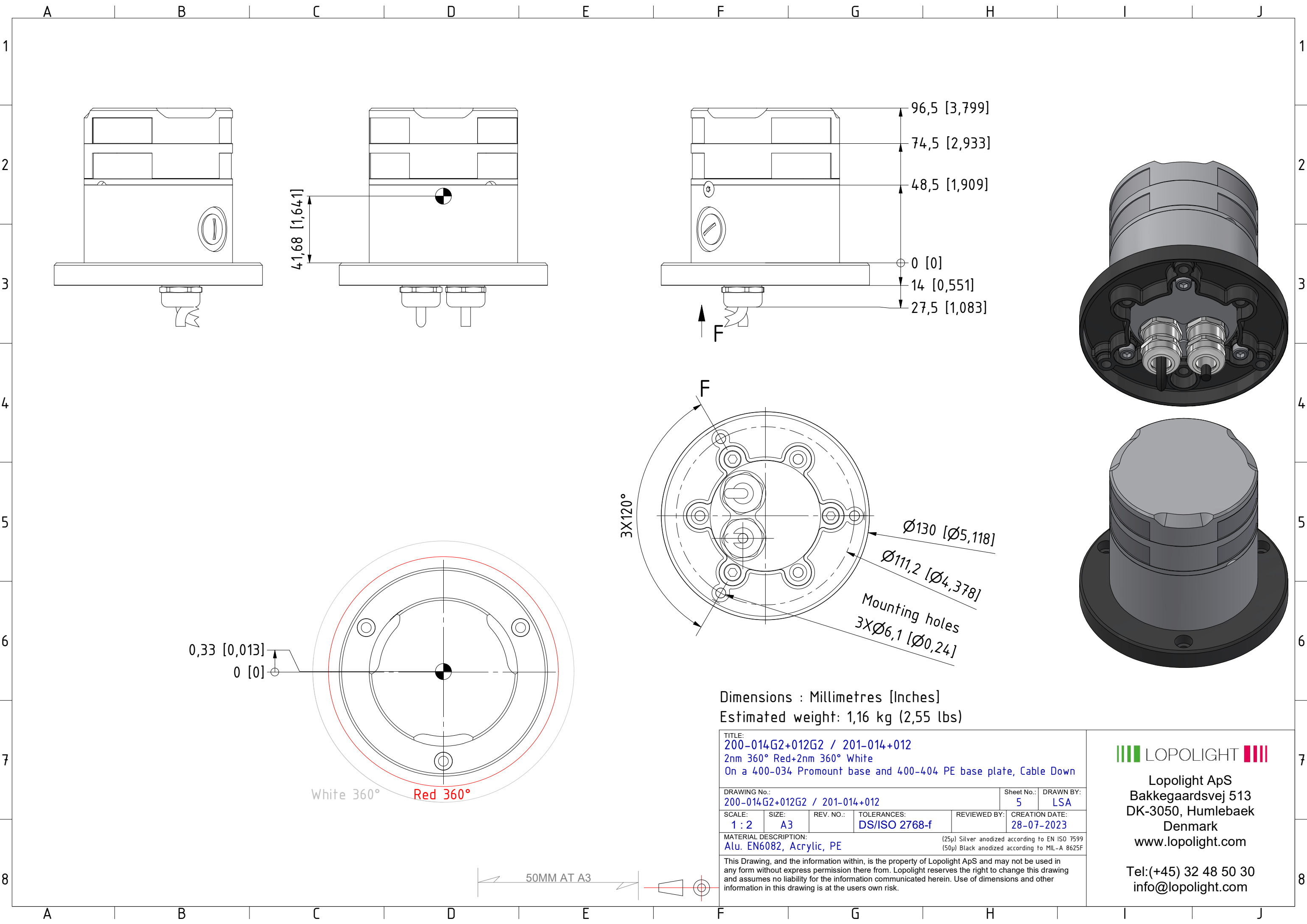
TITLE: 200-014G2+012G2 / 201-014+012 2nm 360° Red+2nm 360° White On a 400-034 Promount base and 400-404 PE base plate, Cable Side					
DRAWING No.:			Sheet No.:	DRAWN BY:	
200-014G2+012G2 / 201-014+012			4	LSA	
SCALE:	SIZE:	REV. NO.:	TOLERANCES:	REVIEWED BY:	CREATION DATE:
1 : 2	A3		DS/ISO 2768-f		28-07-2023
MATERIAL DESCRIPTION:					
Alu. EN6082, Acrylic, PE <small>(25µ) Silver anodized according to EN ISO 7599 (50µ) Black anodized according to MIL-A 8625F</small>					

This Drawing, and the information within, is the property of Lopolight ApS and may not be used in any form without express permission there from. Lopolight reserves the right to change this drawing and assumes no liability for the information communicated herein. Use of dimensions and other information in this drawing is at the users own risk.



Lopolight ApS
 Bakkegaardsvej 513
 DK-3050, Humlebaek
 Denmark
 www.lopolight.com

Tel:(+45) 32 48 50 30
 info@lopolight.com



41,68 [1,641]

96,5 [3,799]
 74,5 [2,933]
 48,5 [1,909]
 0 [0]
 14 [0,551]
 27,5 [1,083]

3X120°
 Ø130 [Ø5,118]
 Ø111,2 [Ø4,378]
 Mounting holes
 3XØ6,1 [Ø0,24]

0,33 [0,013]
 0 [0]

White 360°
 Red 360°

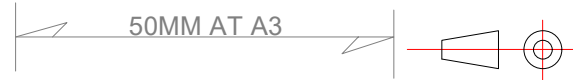
Dimensions : Millimetres [Inches]
 Estimated weight: 1,16 kg (2,55 lbs)

TITLE: 200-014G2+012G2 / 201-014+012 2nm 360° Red+2nm 360° White On a 400-034 Promount base and 400-404 PE base plate, Cable Down					
DRAWING No.:			Sheet No.:		DRAWN BY:
200-014G2+012G2 / 201-014+012			5		LSA
SCALE:	SIZE:	REV. NO.:	TOLERANCES:	REVIEWED BY:	CREATION DATE:
1 : 2	A3		DS/ISO 2768-f		28-07-2023
MATERIAL DESCRIPTION: Alu. EN6082, Acrylic, PE					
<small>(25µ) Silver anodized according to EN ISO 7599 (50µ) Black anodized according to MIL-A 8625F</small>					

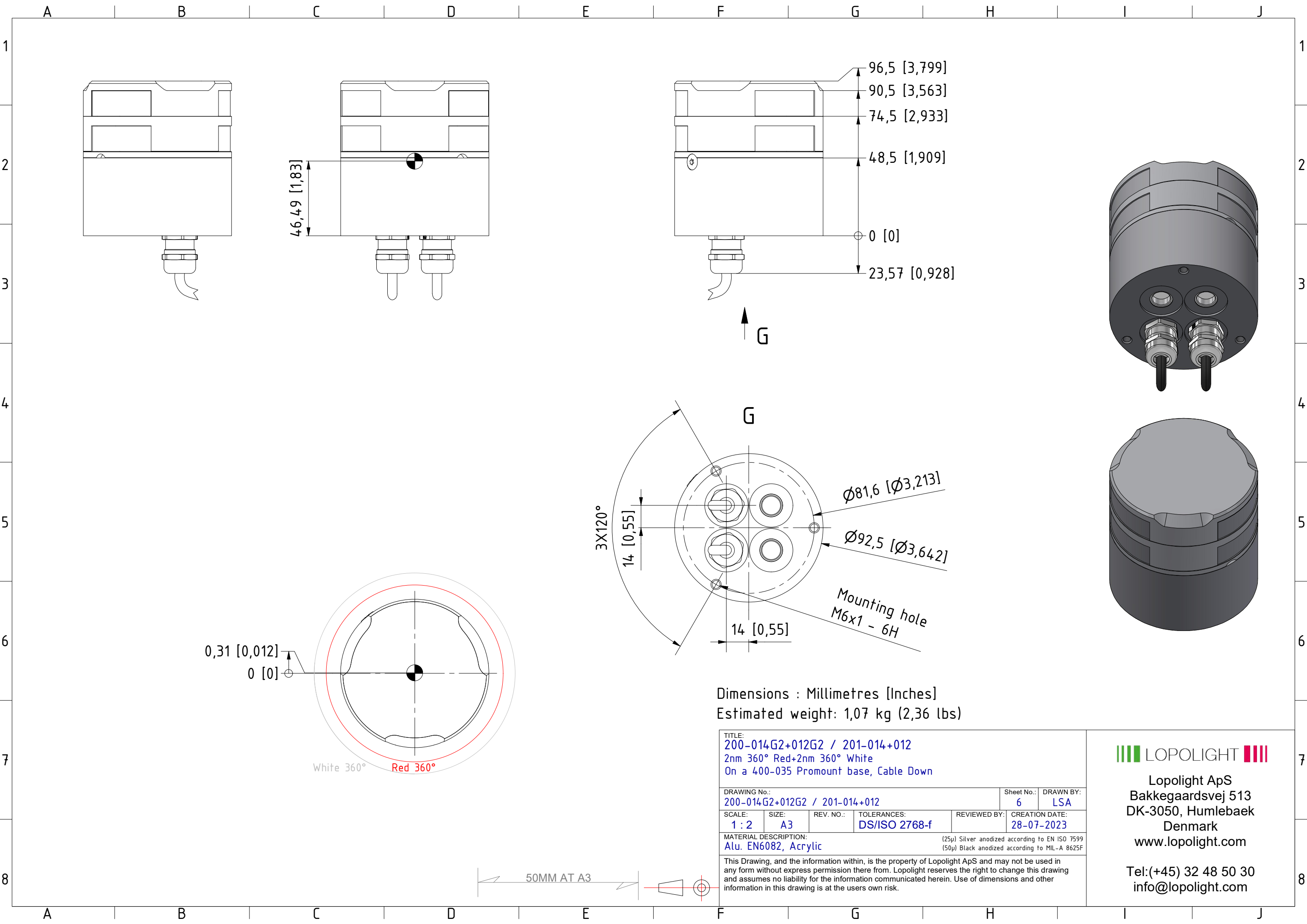


Lopolight ApS
 Bakkegaardsvej 513
 DK-3050, Humlebaek
 Denmark
 www.lopolight.com

Tel:(+45) 32 48 50 30
 info@lopolight.com



This Drawing, and the information within, is the property of Lopolight ApS and may not be used in any form without express permission there from. Lopolight reserves the right to change this drawing and assumes no liability for the information communicated herein. Use of dimensions and other information in this drawing is at the users own risk.



Dimensions : Millimetres [Inches]
 Estimated weight: 1,07 kg (2,36 lbs)

TITLE: 200-014G2+012G2 / 201-014+012 2nm 360° Red+2nm 360° White On a 400-035 Promount base, Cable Down					
DRAWING No.:				Sheet No.:	DRAWN BY:
200-014G2+012G2 / 201-014+012				6	LSA
SCALE:	SIZE:	REV. NO.:	TOLERANCES:	REVIEWED BY:	CREATION DATE:
1 : 2	A3		DS/ISO 2768-f		28-07-2023
MATERIAL DESCRIPTION: Alu. EN6082, Acrylic					
<small>(25µ) Silver anodized according to EN ISO 7599 (50µ) Black anodized according to MIL-A 8625F</small>					

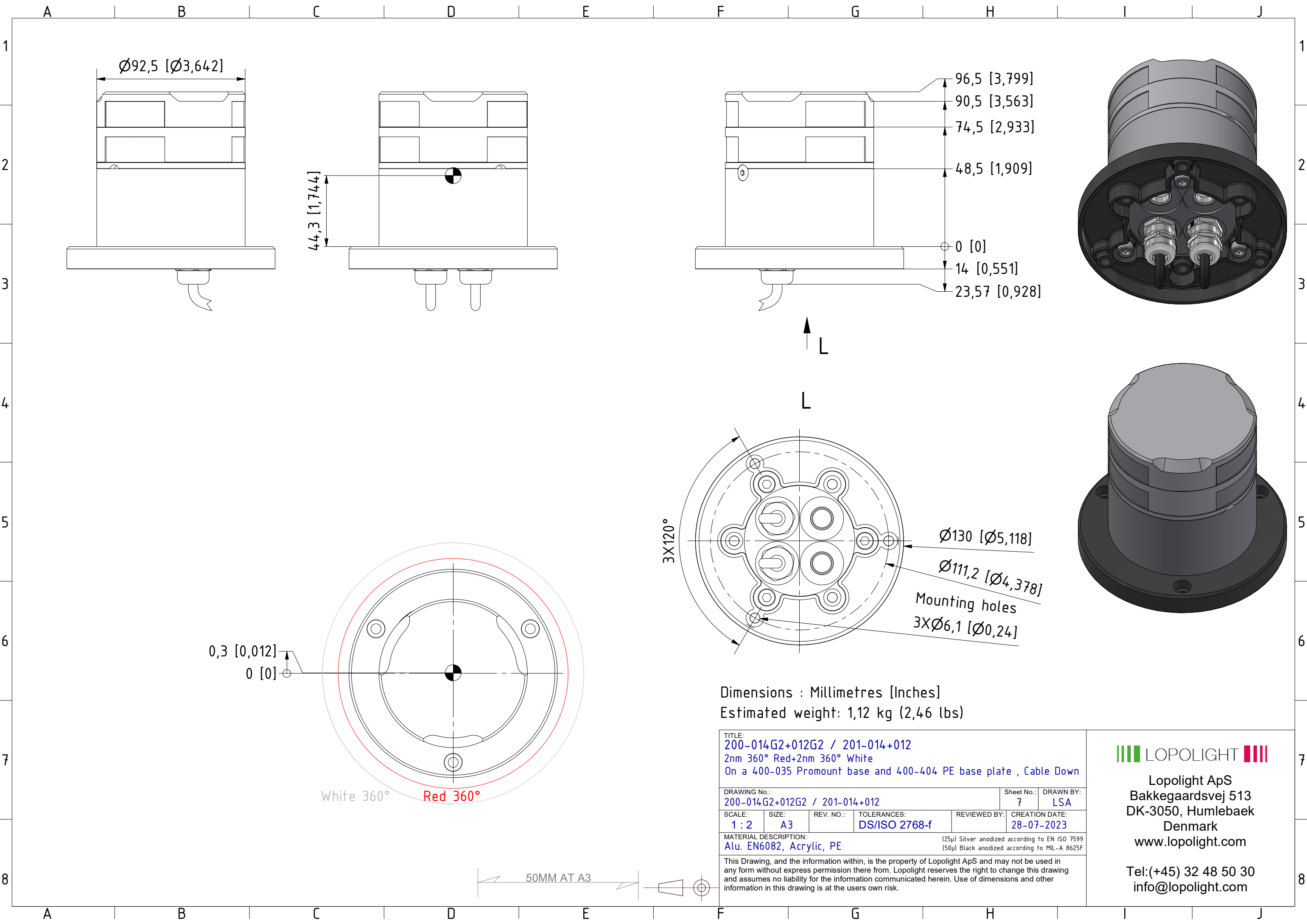
This Drawing, and the information within, is the property of Lopolight ApS and may not be used in any form without express permission there from. Lopolight reserves the right to change this drawing and assumes no liability for the information communicated herein. Use of dimensions and other information in this drawing is at the users own risk.

LOPOLIGHT

Lopolight ApS
 Bakkegaardsvej 513
 DK-3050, Humlebaek
 Denmark
www.lopolight.com

Tel:(+45) 32 48 50 30
info@lopolight.com





Dimensions : Millimetres [Inches]
 Estimated weight: 1,12 kg (2,46 lbs)

TITLE: 200-014G2+012G2 / 201-014+012 2nm 360° Red+2nm 360° White On a 400-035 Promount base and 400-404 PE base plate , Cable Down					
DRAWING No.:			Sheet No.:		DRAWN BY:
200-014G2+012G2 / 201-014+012			7		LSA
SCALE:	SIZE:	REV. NO.:	TOLERANCES:	REVIEWED BY:	CREATION DATE:
1 : 2	A3		DS/ISO 2768-f		28-07-2023
MATERIAL DESCRIPTION:					
Alu. EN6082, Acrylic, PE <small>(25µ) Silver anodized according to EN ISO 7599 (50µ) Black anodized according to MIL-A 8625F</small>					

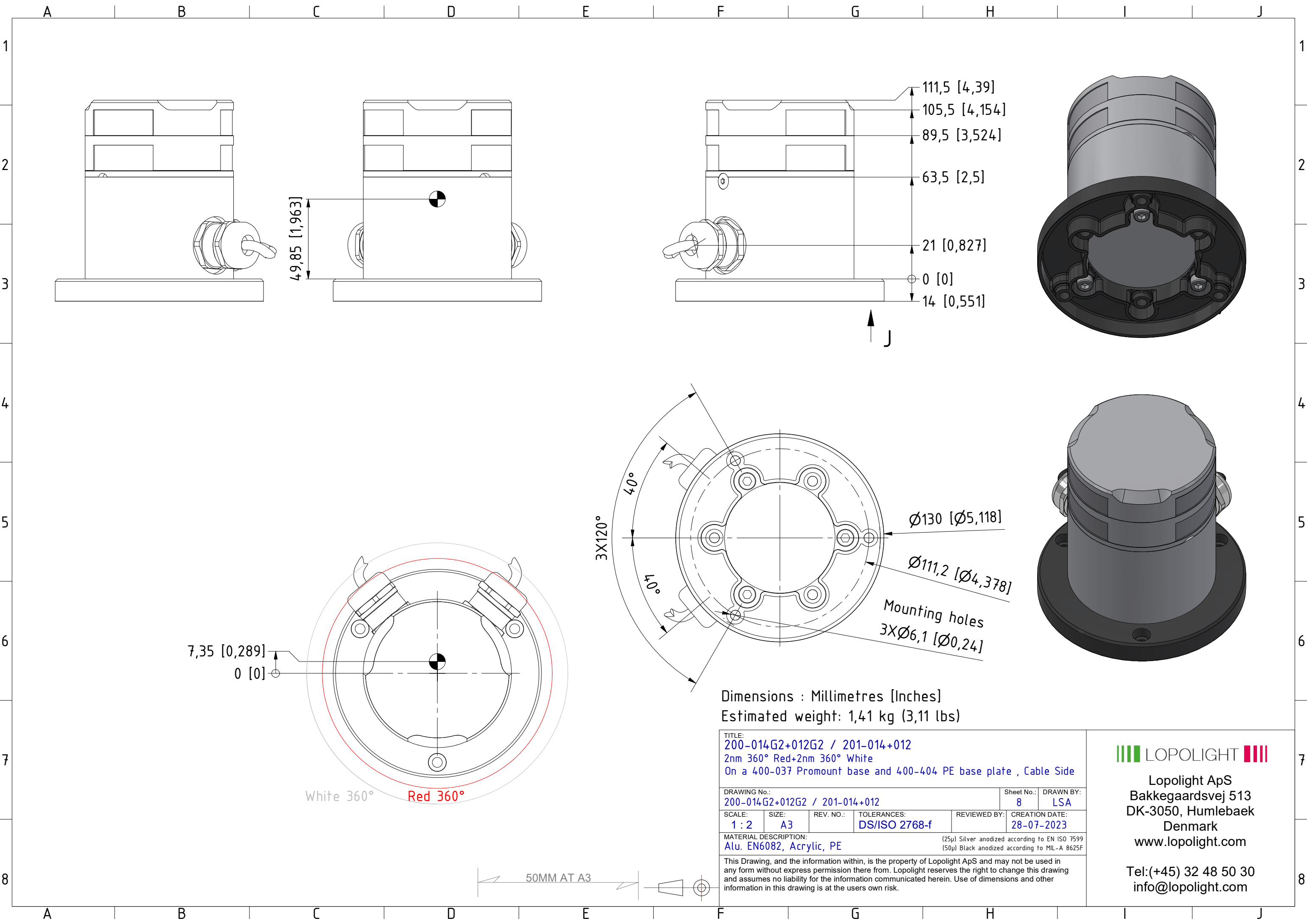


Lopolight ApS
 Bakkegaardsvej 513
 DK-3050, Humlebaek
 Denmark
www.lopolight.com

Tel:(+45) 32 48 50 30
info@lopolight.com

This Drawing, and the information within, is the property of Lopolight ApS and may not be used in any form without express permission there from. Lopolight reserves the right to change this drawing and assumes no liability for the information communicated herein. Use of dimensions and other information in this drawing is at the users own risk.





49,85 [1,963]

111,5 [4,39]
 105,5 [4,154]
 89,5 [3,524]
 63,5 [2,5]
 21 [0,827]
 0 [0]
 14 [0,551]

7,35 [0,289]
 0 [0]

3X120°
 40°
 40°
 Ø130 [Ø5,118]
 Ø111,2 [Ø4,378]
 Mounting holes
 3XØ6,1 [Ø0,24]

White 360°
 Red 360°

Dimensions : Millimetres [Inches]
 Estimated weight: 1,41 kg (3,11 lbs)

TITLE: 200-014G2+012G2 / 201-014+012 2nm 360° Red+2nm 360° White On a 400-037 Promount base and 400-404 PE base plate , Cable Side					
DRAWING No.: 200-014G2+012G2 / 201-014+012			Sheet No.: 8	DRAWN BY: LSA	
SCALE: 1 : 2	SIZE: A3	REV. NO.:	TOLERANCES: DS/ISO 2768-f	REVIEWED BY:	CREATION DATE: 28-07-2023
MATERIAL DESCRIPTION: Alu. EN6082, Acrylic, PE					
<small>(25µ) Silver anodized according to EN ISO 7599 (50µ) Black anodized according to MIL-A 8625F</small>					

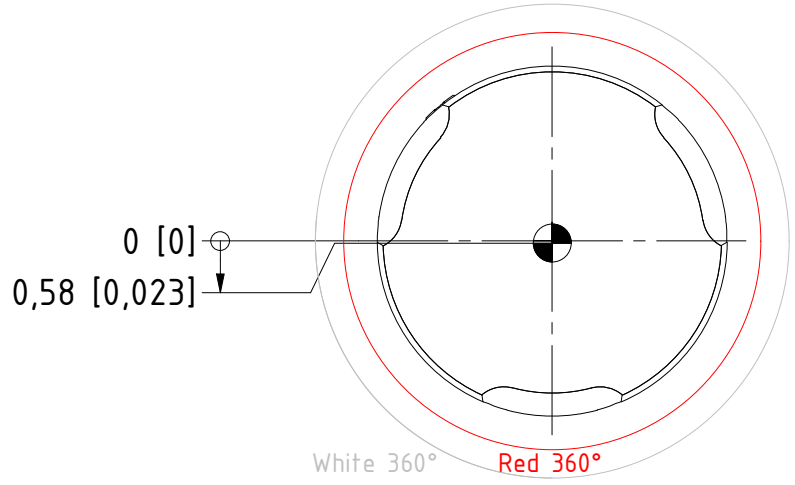
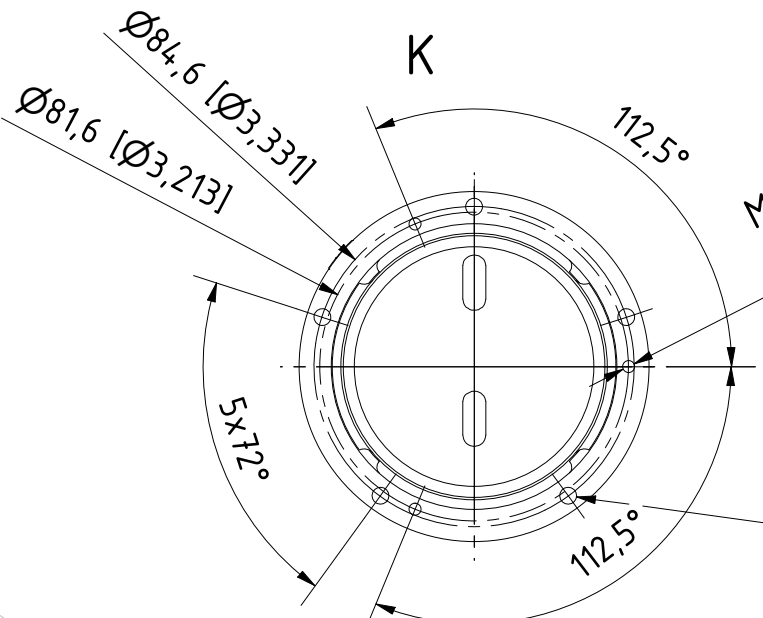
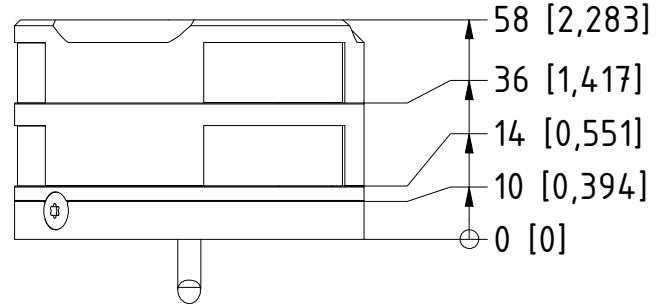
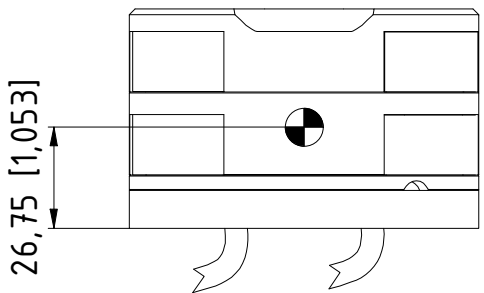
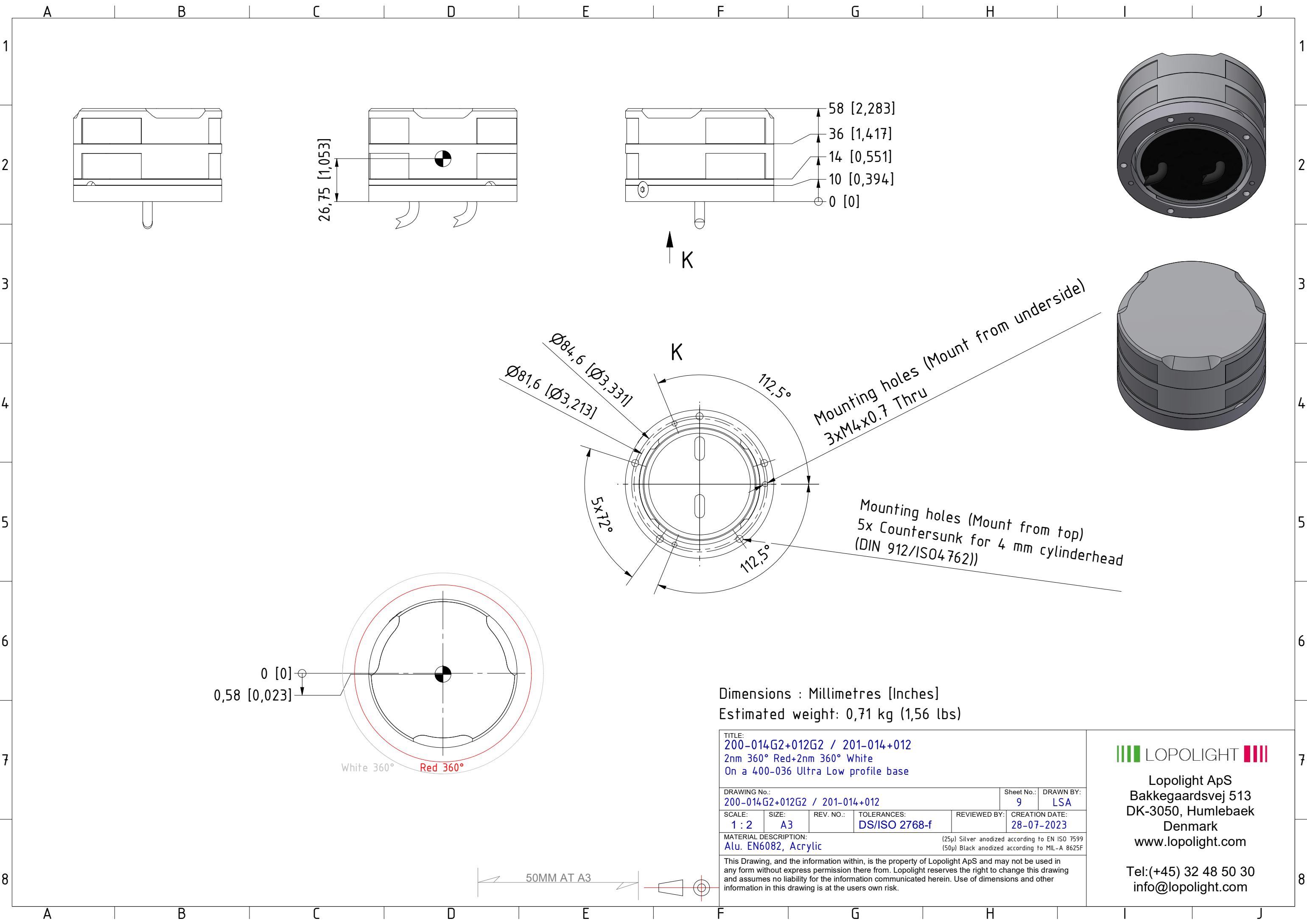
This Drawing, and the information within, is the property of Lopolight ApS and may not be used in any form without express permission there from. Lopolight reserves the right to change this drawing and assumes no liability for the information communicated herein. Use of dimensions and other information in this drawing is at the users own risk.



Lopolight ApS
 Bakkegaardsvej 513
 DK-3050, Humlebaek
 Denmark
 www.lopolight.com

Tel:(+45) 32 48 50 30
 info@lopolight.com

50MM AT A3



Mounting holes (Mount from underside)
3xM4x0.7 Thru

Mounting holes (Mount from top)
5x Countersunk for 4 mm cylinderhead
(DIN 912/ISO4762))

Dimensions : Millimetres [Inches]
Estimated weight: 0,71 kg (1,56 lbs)

TITLE: 200-014G2+012G2 / 201-014+012 2nm 360° Red+2nm 360° White On a 400-036 Ultra Low profile base					
DRAWING No.: 200-014G2+012G2 / 201-014+012				Sheet No.: 9	DRAWN BY: LSA
SCALE: 1 : 2	SIZE: A3	REV. NO.:	TOLERANCES: DS/ISO 2768-f	REVIEWED BY:	CREATION DATE: 28-07-2023
MATERIAL DESCRIPTION: Alu. EN6082, Acrylic					
<small>(25µ) Silver anodized according to EN ISO 7599 (50µ) Black anodized according to MIL-A 8625F</small>					

This Drawing, and the information within, is the property of Lopolight ApS and may not be used in any form without express permission there from. Lopolight reserves the right to change this drawing and assumes no liability for the information communicated herein. Use of dimensions and other information in this drawing is at the users own risk.



Lopolight ApS
Bakkegaardsvej 513
DK-3050, Humlebaek
Denmark
www.lopolight.com

Tel:(+45) 32 48 50 30
info@lopolight.com

