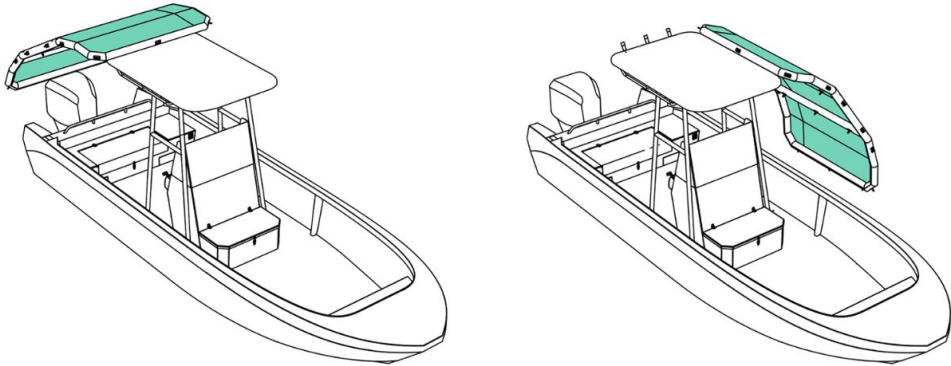


## SHADE POSITIONS

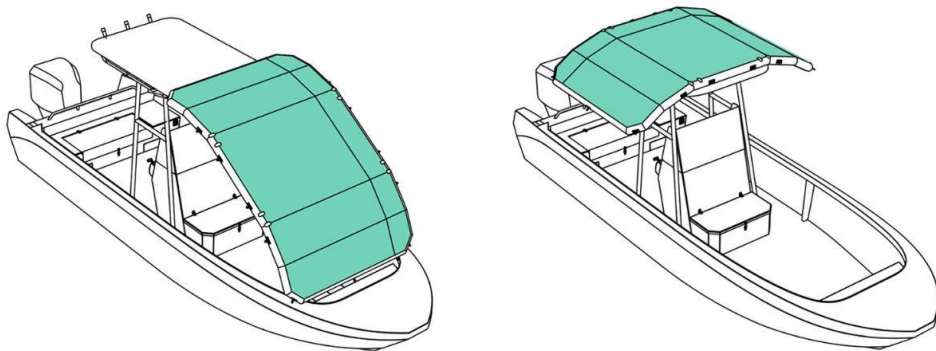


**Warning:** Sebbba Shade is large, and it wants to fly. A strong wind can push people into the water, or it may simply blow away if not handled properly; always handle down wind from you.

Practice using Sebbba Shade on land before use on a boat.

Sharp objects can puncture Sebbba Shade and cause instant deflation.

\*\*An informed Sebbba Shade owner will be a happy Sebbba Shade owner. Be smart!



For more information and instructional videos, scan QR code:

<https://sebbashade.com/pages/6x9pm>

Contact Us: [info@flightdive.com](mailto:info@flightdive.com)



SEBBA SHADE

# QUICK START GUIDE



1. Screw in valve for inflation.



2. Attach nozzle of pump.

\*\*Inflates to **8.0 PSI** in about **2 mins** with supplied hand pump or electric pump



Use provided DUAL-Action to inflate shade to 8.0 PSI.

The shade fabric provides UV protection, blocking 98% of UVA/UVB rays (UPF 50+).

The perimeter tube and the cross-strut tubes, when inflated, give Sebbba Shade its sturdy shape.

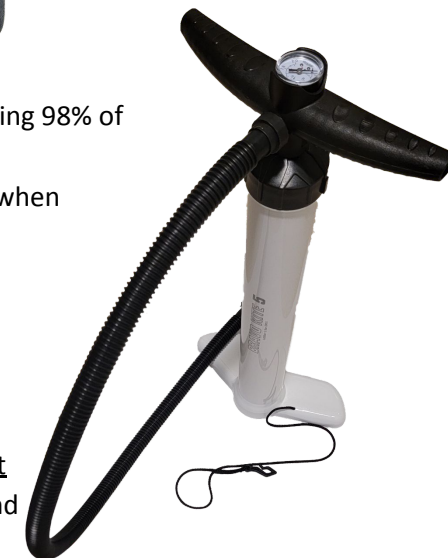
Inflate to:

7.0 PSI Minimum

8.0 PSI MAXIMUM. Do not over-inflate!

Low pressure mistake (below 7.0 or even 5.0):

Low pressure will still give it shape, but it won't be stiff enough to stand up to winds. It will bend and appear floppy if not under high Pressure



## FABRIC ANCHORS/ STRAP SET UP



On a boat, ensure nothing will prevent it from easily taking its rectangular shape. As it inflates, it can get caught on rod holders, antennae, radar, poles, etc. Does your antenna need to be lowered?

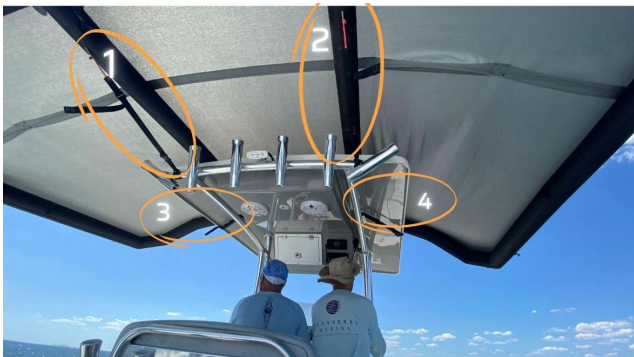
Unclip the short end of the strap and loop it around a tubular frame, pass the buckle back through the loop. These can remain in place while not in using Sebba Shade.



Attach the other end of strap to any of the pigtails on the shade canopy. Scan or click this QR code for a **pigtail connection how-to video**:



Pigtail video

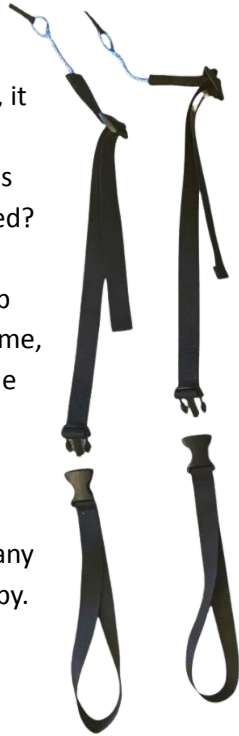


4 connected straps shown in the 'underway' position (see image).

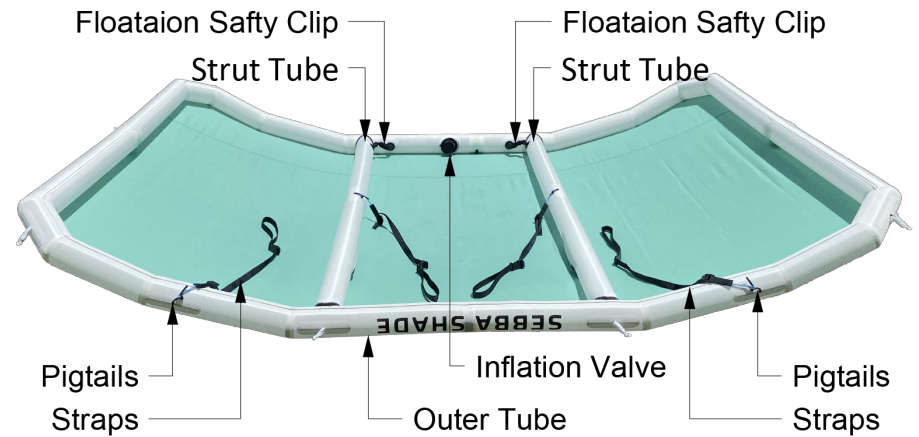
This is **ONLY** position Sebba Shade is safe to handle *up to 45 mph*:



Hose clamp video



## SHADE DETAILS



2 X 4' Straps & 2 X 2' Straps Come attached for underway  
Positions 16 Connection Points called Pigtails

## DEFLATING & STORAGE

Always deflate Sebba Shade at the end of the day. To deflate, rotate the base of the inflation valve counterclockwise to release the air. **BE PREPARED FOR A LOUD WHOOSH** while the air rushes out.



Allow Sebba Shade to air dry before folding up and storing. Packing Sebba Shade when wet may cause color transfer.

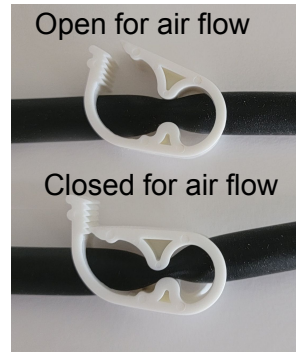
## TROUBLESHOOTING

If Struts do not inflate  
Check hose clamp is pinched

\*Important These Clips have to be closed when using the shade as a floaty\*.



Air flow connector



Open for air flow

Closed for air flow