

Key Features:

- Visible Spectrum Camera 2MP HD Resolution 30x Optical Zoom
- Miniature - Lightweight Compact Form Factor
- Dimensions 206mm x 160mmø / 2Kg Weight
- High Power Infrared LED's - Up to 80m Range
- True Day/Night Operation with IR Cut Switch
- Up to 255 User Presets Supported
- 4 x User Definable Patrols
- User Definable Home Position
- Side mount or Rear mount Waterproof Cable Connector
- Push Lock Quick Connector - IP66
- Features IP and RS485 Serial Data Control
- 750mA @ +12VDC Power / 8.4W
- IP66 Environmental Rating
- Available in White, Black & Other Colour Options

Applications:

- Marine Navigation & Safety
- Security & Surveillance
- Law Enforcement & Search and Rescue
- Perimeter Security & Monitoring
- Low Cost / Small Vessel Situational Awareness
- Work Boat & Commercial Shipping
- Sports Fishing / Commercial Fishing
- Rapid Deployment & Portable Surveillance
- Vehicle & Transport Applications

Introducing the new Atom Range, A418 High Definition Visible Spectrum IP PTZ camera with 30x Optical Zoom from Iris Innovations.

Available with side entry or base entry cable options, the A418's high definition camera module is built into a robust yet compact waterproof gimbal mount enclosure, designed to protect the unit from the harshest environmental conditions.

The A418 features a high end network camera module with leading digital image processing features such as noise reduction, image enhancement, wide dynamic range technology and boasts a powerful 30x optical zoom lens to identify targets at extreme distance. An array of high power infra red LED illuminators is built into the brow of the camera to provide visibility in the dark to a range of up to 100 meters. The camera's image processing features work to boost the image gain in order to provide maximum clarity in low light.

As well as offering ultra-responsive pan and tilt control with proportional zoom operation, the camera boasts up to 255 user preset positions and a range of scans and user configurable automated tours.

An RS485 Serial Data connection is also provided to maximise control options, meaning as well as via an NVR or computer, the camera can also be controlled from Iris's CMAC range of camera management systems or CCTV joystick controllers supporting the Pelco-D protocol.

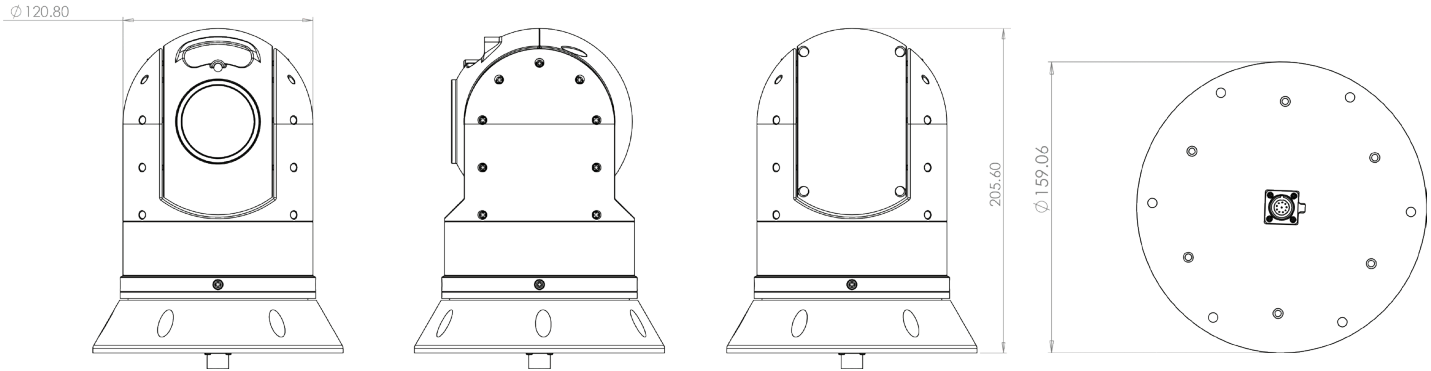
With its rugged, compact footprint and extremely competitive pricing, our new IP PTZ cameras are the perfect solution for vessels of all types and sizes and our industry leading thermal imaging technology opens up a world of boating at night in safety.

The A4418 camera is both ONVIF compliant and NDAA compliant.

IRIS

IRIS-A418

Compact, Hi-Definition Controllable IP PTZ Camera, Visible Spectrum with 30x Zoom



Specifications:

	IRIS-A418
Camera Resolution	1920 x 1080P 2MP 25/30 frames/sec
Sensor	1/2.8" High Performance Low Illumination CMOS Sensor (IMX327)
Zoom	30x Optical Zoom
Iris	F1.6 ~ F3.5
Focal Length	4.7mm ~ 141mm
Image Enhancement	DWDR
IR Range	4 x High Powered Infrared Lamps, 2 Groups (Low Beam / High Beam) Brown Glass Filter, Infrared Distance up to 100m (328ft)
Park Function	Supported
Video Format	AVI (D1/720P/1080P (default)
Snapshot Storage	Optional - (D1/720P/1080P (default)
Compression	H.264 / H.265
Bit Rate	32Kbps ~ 16Mbps
Frame Rate	1-25fps(50Hz) / 1-30fps(60Hz)
Streams	Supports dual stream, main stream (1080P; 960P; 720P), Sub Stream (D1; VGA; CIF)
Cellular / Wifi / GPS	Optional - Contact Iris for Details
Protocols	Network Protocols: ONVIF Profile S / Others TBC Serial Data: RS485 / Pelco D
Power Requirements	+12vDC / 2000mA Max (IR ON) / 24W Max
Dimensions / Weight	160mm \varnothing x 206mm(H) / 2Kg
Environmental / Certification	EN60529 / IP66 / TBC
Cable Options	Side Entry / Base Entry
CGEA Rating / NDAA	No Export Restrictions / NDAA Compliant