

SMS200

Short Message Service (Text) Module

Maretron's SMS200 is a cellular modem that offers text message notifications from your vessel's NMEA 2000® network to your phone. The SMS200 works together with Maretron's dedicated displays – DSM Series Displays or N2KView® based software running on either the MBB Series Black Box, TSM Series Touchscreen Displays or a PC, to define programmable alert conditions from sensors interconnected on an NMEA 2000® network. The DSM Displays or N2KView® software instructs the SMS200 to connect to the cellular network and transmit an alert message to selected telephone numbers. Whether it is high bilge water, low battery voltage, unplugged shore power, or an opened hatch or door, the SMS200 quickly alerts you to conditions on board your vessel that require attention anywhere you have cellular network coverage.

You can also send a text message to your vessel and, with the proper sensors installed, the SMS200 will respond with status information including the vessel's position, bilge status, battery voltage, shore power voltage, wind speed, inside temperature, and outside temperature. Additionally, N2KView can be configured to respond to text messages with more complex sentences to allow you to query virtually any NMEA 2000 parameter. You can specify command strings and the text of the corresponding response messages with parameters that are replaced dynamically by their values when the response message is sent.

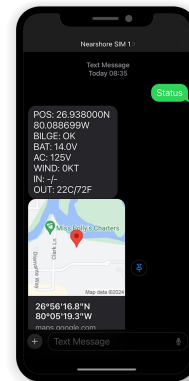
The SMS200 works with most LTE services in North America, Mexico, and the Caribbean (consult cellular service providers for coverage details).

Product features:

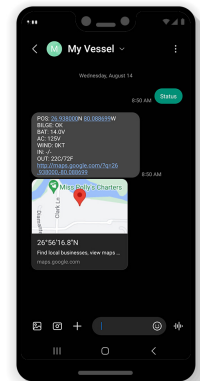
- IP67 Protection
- Programmable alerts (alarms or warnings) from Maretron installed displays and sensors on the vessel automatically trigger text messages which are sent to your phone
- SIM card is pre-installed, which allows unlimited text messaging within the covered region. (User activation and monthly subscription is required.)

www.maretron.com/sms200activation

NEARSHORE



IOS

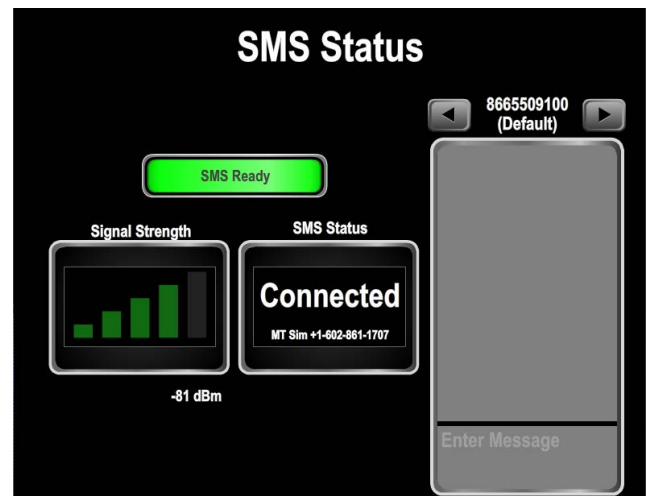


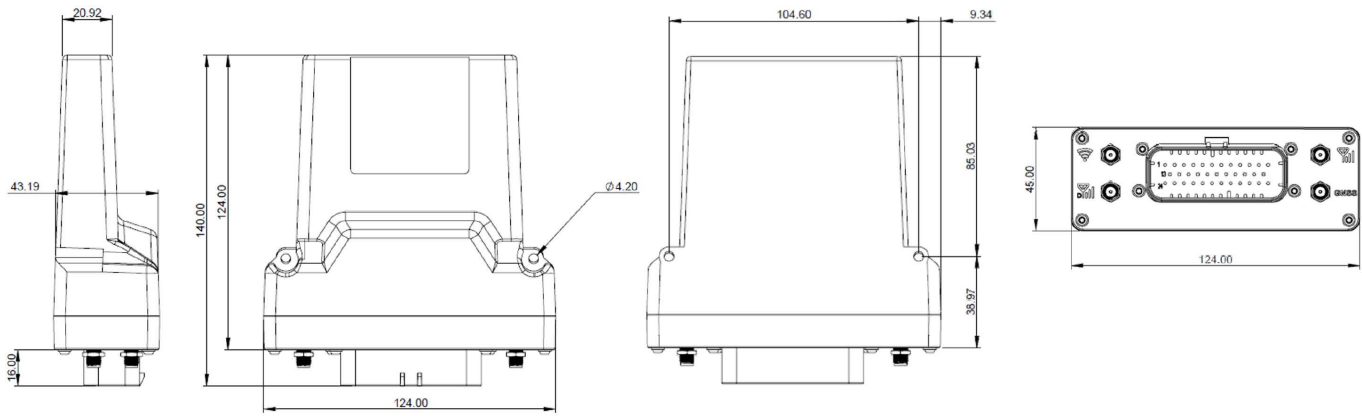
Android



PRODUCTS

PART NUMBER	DESCRIPTION
SMS200-01	SMS (Text) Message Module 4G LTE (North America)
	SMS200 to NMEA 2000 Adapter (Replacement)





SPECIFICATIONS

PARAMETER	VALUE	COMMENT
NMEA 2000® Connector	DeviceNet Micro C	With Included Adapter Cable
Antenna Connectors	SMA	1 x LTE
Cellular Technologies	NA/Canada - LTE FDD B2/ B4/B5/ B12/B13/ B25/ B26	
SIM Connector	Micro SIM	
Bluetooth	v5.0	Disabled by default (Future Use)

NMEA 2000® PARAMETER GROUP NUMBERS (PGNs)

DESCRIPTION	PGN#	PGN NAME	DEFAULT RATE
Periodic Data PGNs	130834	SMS Status (Maretron Proprietary)	0.1 times/second
	130835	SMS Text Message (Maretron Proprietary)	On Receipt
Response to Requested PGNs	126464	PGN List (Transmit and Receive)	N/A
	126996	Product Information	N/A
	126998	Configuration Information	N/A
Protocol PGNs	059392	ISO Acknowledge	N/A
	059904	ISO Request	N/A
	060928	ISO Address Claim	N/A
	065240	ISO Address Command	N/A
	126208	NMEA Request/Command/Acknowledge	N/A
	126720	Device Configuration Information	N/A
	126993	Heartbeat	1 time / 60 seconds
	130060	Label	N/A

ELECTRICAL

PARAMETER	VALUE	COMMENT
Operating Voltage	9 to 32 Volts	NMEA Interface
Power Consumption (NMEA 2000® Connection)	< 250 mA	
Load Equivalence Number (LEN)	5	NMEA 2000® Spec. (1LEN = 50mA)
Reverse Battery Protection	Yes	ISO 17650-2

MECHANICAL

PARAMETER	VALUE	COMMENT
Dimensions (H x W x D)	5.51" x 4.88" x 1.77" (140mm x 124mm x 45mm)	
Weight	9.6 oz (272.2 g)	
Enclosure Material	Bayblend FR3010	

ENVIRONMENTAL

PARAMETER	VALUE
Degree of Protection	IP67
Operating Temperature	-40°F - 158°F (-40°C - 70°C)
Storage Temperature	-40°F - 185°F (-40°C - 85°C)
Temp & Humidity Test	ISO 16750-4
Vibration	IEC 60068-2
Electromagnetic Emission	Radiated per ISO 13766-1, Conducted per CISPR 25
Electromagnetic Immunity	ISO 11452-2, ISO 11452-4

CERTIFICATIONS

PARAMETER	COMMENT
NMEA 2000® Standard	
Maritime Navigation and Radio Communication Equipment & Systems	IEC 61162-3
Maritime Navigation and Radio Communication Equipment & Systems	Tested to IEC 60945
FCC and CE Mark	Electromagnetic Compatibility FCC KDB 996369