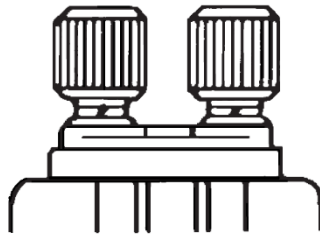
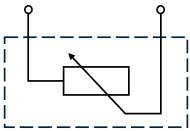


PRESSURE SENSORS



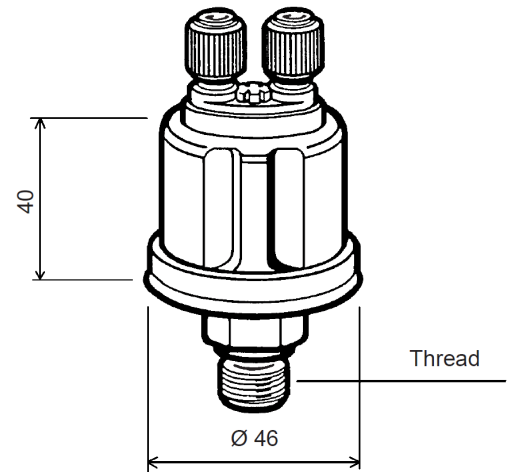
- Veratron’s Pressure Sensors deliver a stable quality reading during a long lifespan. They have excellent anti-vibration performance and a wide operating temperature range.
- The sensors can be used in a wide range of applications.
- All sensors come with a sensor output and an insulated ground pin.

Connectors:
Knurled Nut
M4



Operating Temperature	-25 to 120°C (max. 1h @120°)
Measurement range	0-5bar or 0-10bar
Output signal	Standard 10-184Ω
Protection Rating	IP 67
Max. Mounting Torque	30 Nm

ART.NR.	SENSOR TYPE	THREAD	RANGE
B002007	Oil Press	1/8"-27NPT	5 bar
B002008	Oil Press	1/8"-27NPT	10 bar



PRESSURE	5 BAR SENSORS	10 BAR SENSORS
0 bar	10 Ω ±5Ω	10 Ω ±5Ω
1 bar	45 Ω ±5Ω	27 Ω ±5Ω
2 bar	80 Ω ±5Ω	45 Ω ±5Ω
3 bar	115 Ω ±5Ω	62 Ω ±5Ω
4 bar	150 Ω ±7Ω	80 Ω ±5Ω
5 bar	184 Ω ±9Ω	97 Ω ±5Ω
6 bar	-	115 Ω ±5Ω
7 bar	-	132 Ω ±7Ω
8 bar	-	150 Ω ±7Ω
9 bar	-	167 Ω ±9Ω
10 bar	-	184 Ω ±9Ω

