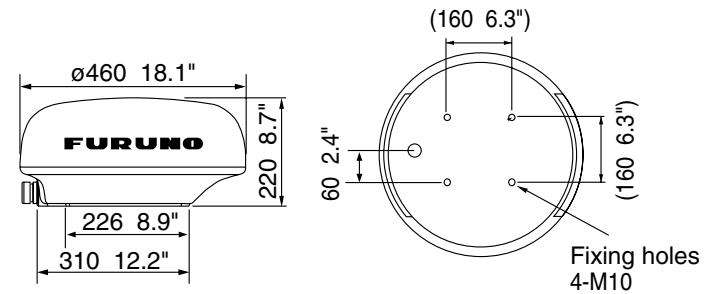


NavNet vx2 Radar Antenna

Dimensional Drawings

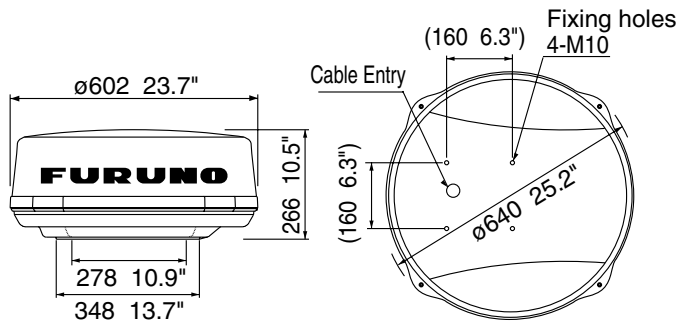
18" Radome Antenna

4.9 kg 10.8 lb



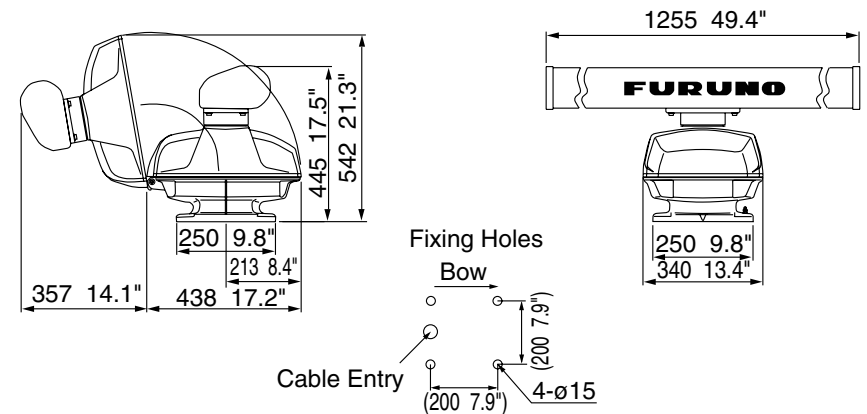
24" Radome Antenna

8 kg 17.6 lb



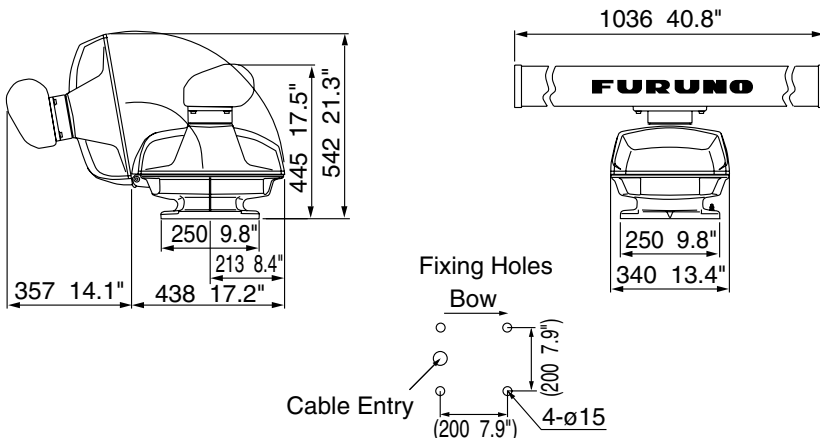
4 ft Open Antenna

23 kg 50.7 lb



3.5 ft Open Antenna

22 kg 48.5 lb



6 ft Open Antenna

25 kg 55.1 lb

