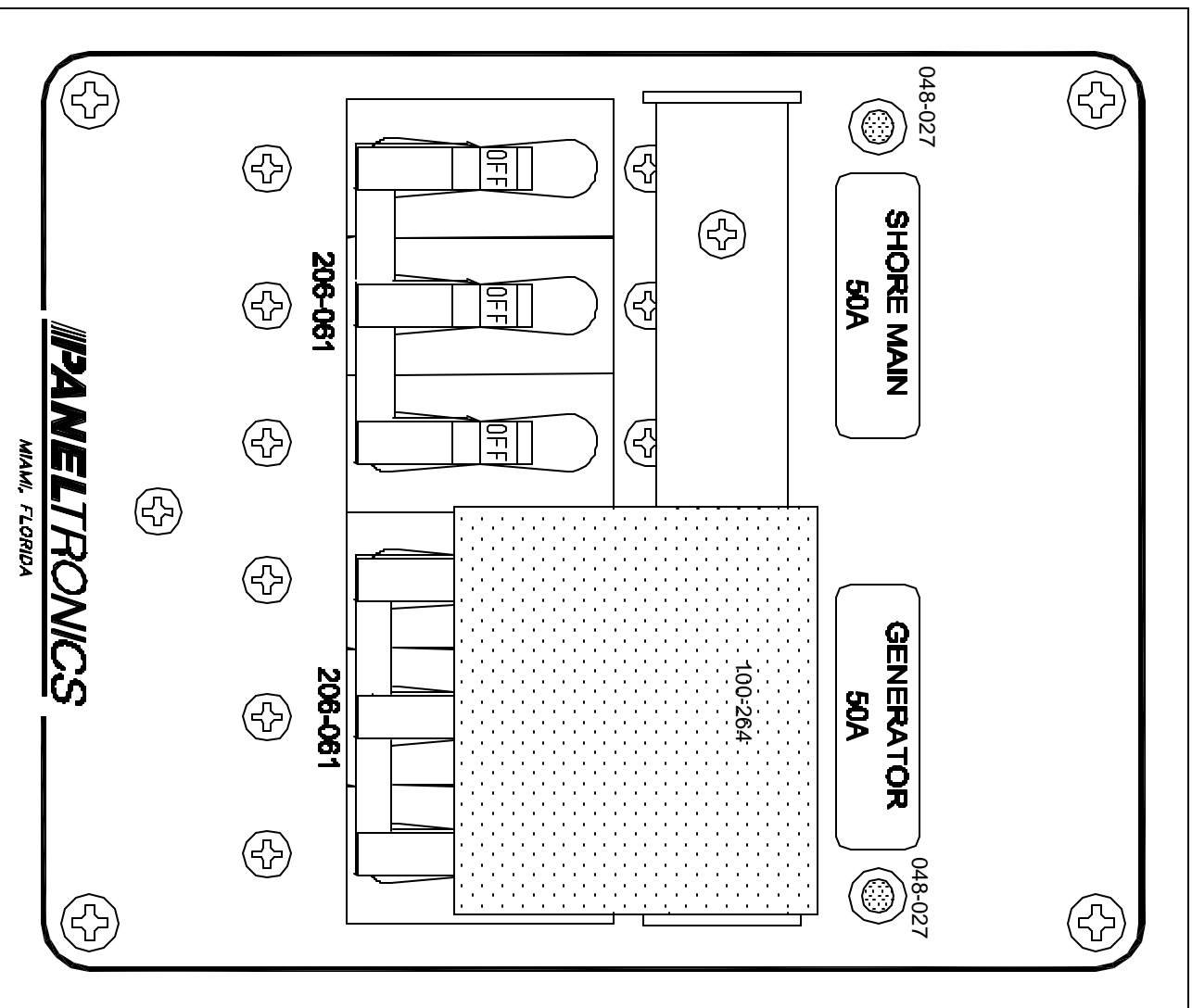
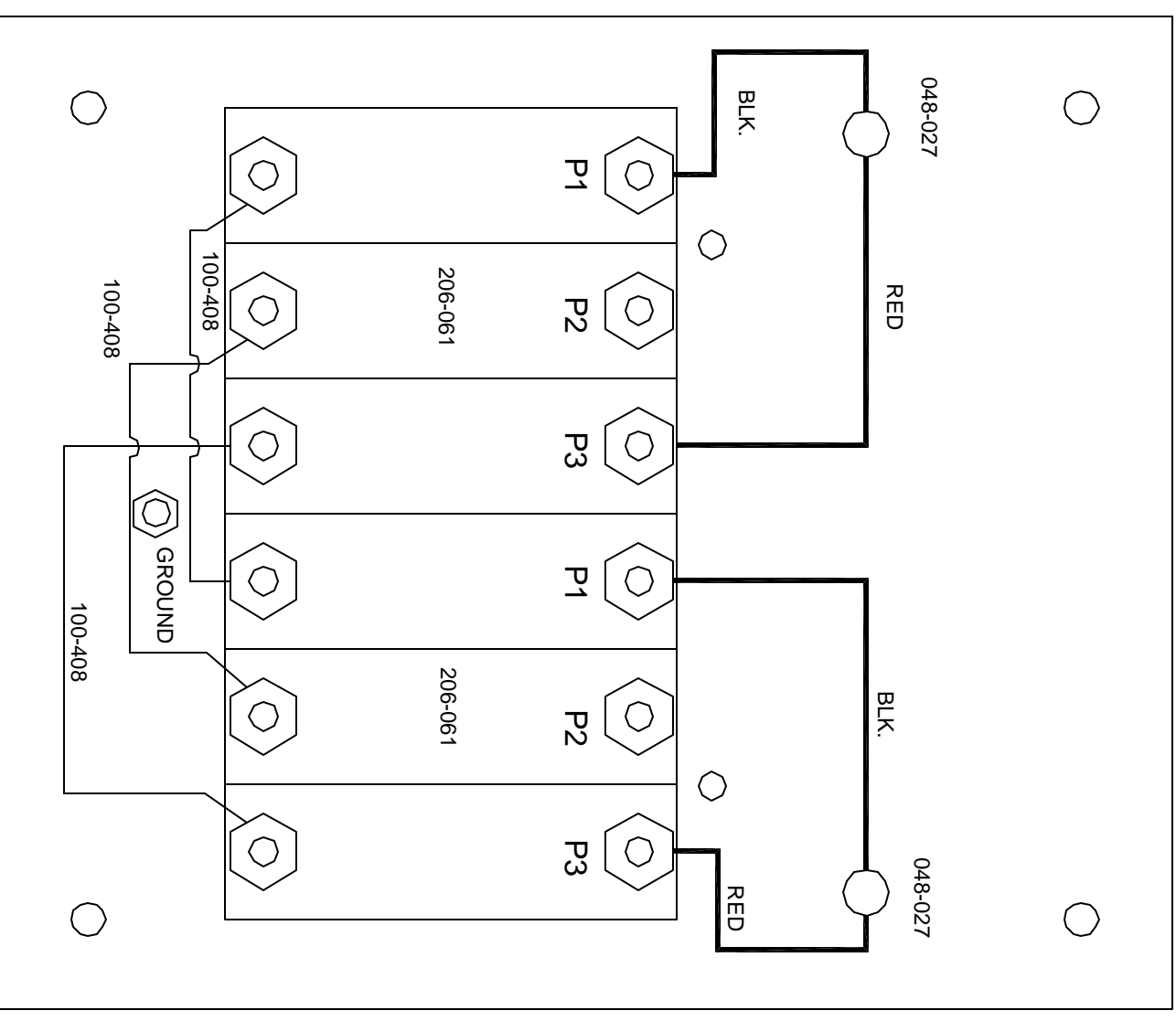


FRONT VIEW



REAR VIEW



EXCLUSIVE PROPERTY OF PANELTRONICS, INC.
 NOT FOR RELEASE WITHOUT PROPER WRITTEN
 AUTHORIZATION. THIS DOCUMENT DISCLOSES
 INFORMATION WHICH PANELTRONICS INCORPORATED
 HAS PROPRIETARY RIGHTS

PANELTRONICS
 INCORPORATED
 Paneltronics, Inc.
 11960 N.W. 87th Court
 Hialeah Gardens, FL 33018

240 V AC SOURCE SELECTOR

Drawn By:	TP	Date:	09/25/00	Sheet:	1 of 1	Scale:	1:1	Size:	B	DWG/Part #:	9972321	Rev:	0
Revised By:	NA	Date:	11/09/00										
Series/Model:		Item:											