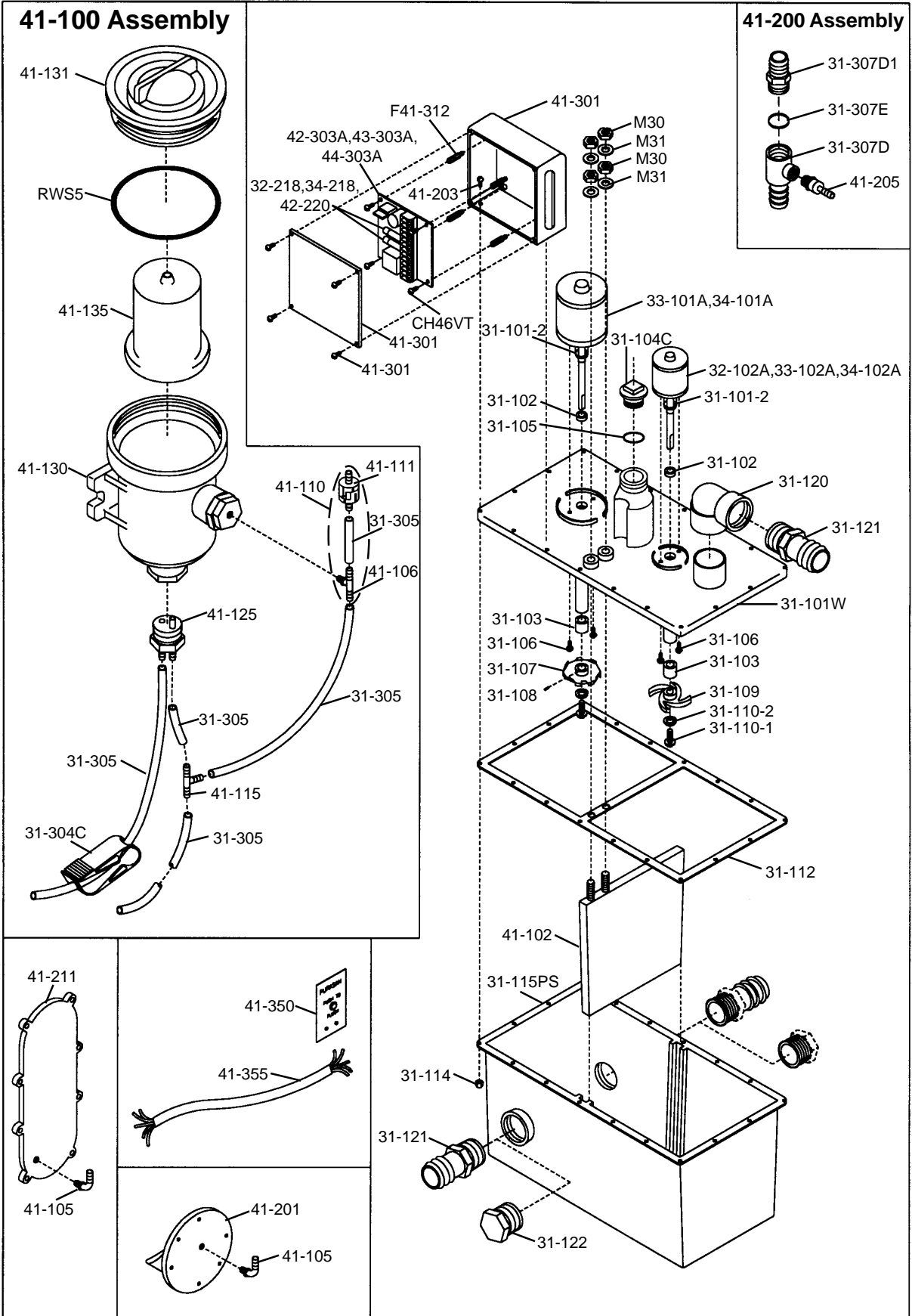


PURASAN® EXPLODED PARTS VIEW



RARITAN
Engineering Company, Inc.

530 Orange Street, P.O. Box 1157, Millville, NJ 08332 USA
 Telephone: 856-825-4900 FAX: 856-825-4409
 www.raritaneng.com
 Southern Office and Plant:
 3101 SW Second Avenue, Fort Lauderdale, FL 33315 USA
 Telephone: 954-525-0378 FAX: 954-764-4370

PARTS LIST PURASAN

Part No.	Description	Part No.	Description
31-101W	Treatment Cover	41-111	Check Valve
31-101-2	Slinger (2)	41-115	"Y" Fitting ¼" Barbed
31-102	Motor Shaft Seal (2)	41-125	Bottom Plug Assy.
31-103	Motor Shaft Bushing (2)	41-130	Dispenser Body (PVC)
31-104C	Crossover Plug	41-131	Dispenser Lid
31-105	O-Ring	41-135	Cartridge (refill) PURASAN Tablets
31-106	Motor Hold down Bolt, 10-32 x 7/8", S/S (4)		Note: Cartridge must be shipped in a separate container, to order, call 856-825-4900.
31-107	Macerator Impeller		
31-108	Macerator Set Screw	41-200	T-Fitting (Incl. 31-107D1, 31-307E, 31-307D and 41-205)
31-109	Mixer Impeller		
31-110-1	Impeller Bolt, 12-24x5/8", S/S (2)	41-201	Front Cover (Modified - CH18)
31-110-2	Impeller Lock Washer, #12, S/S (2)	41-205	Check Valve Assy.
31-111	Cable Clamp (not shown)	41-211	Atlantes Discharge Pump Cover (Modified - AM140)
31-112	Cover Gasket		
31-113-1	Cover Hold down Bolt, 10-32 x ¾", S/S (14)	41-260	Bowl elbow with Restrictor (not shown)
31-113-3	Cable Clamp Bolt 10-32 x 1 (not shown)	41-301	Control Box w/Cover and Screws
31-114	Cover Hold down Nut, 10-32(18)	41-350	Switch Panel
31-115PS	Treatment Tank	41-355	Cable
31-120	Discharge Elbow 90°	41-356	Cable Clamp (not shown)
31-121	Hose Fitting (2)	42-220	Fuse (2) MDL 12 (12 V DC)
31-122	Inlet Plug	42-300	Control Box Complete*, 12VDC
31-304C	Flow Metering Clamp	42-303A	Circuit Board Assembly, 12VDC
31-305	¼" I.D. Tubing	43-300	Control Box Complete*, 24VDC
31-307D	T-Check Valve Body	43-303A	Circuit Board Assembly, 24VDC
31-307D1	Outlet Adapter	44-300	Control Box Complete*, 32VDC
31-307E	O Ring		*Incl. 41-301, F41-312, F072VT, and 42-303 (or 43-303, 44-303).
32-102A	Mixer Motor 2 ½" Dia. 12 V DC	44-303A	Circuit Board Assembly, 32VDC
32-218	Fuse (1) MDL 6¼ (12 V DC)	CH25	O-ring (not shown)
32-218	Fuse (2) MDL 6¼ (24 V DC)	CH46VT	Circuit Board Mounting Screw (4)
33-101A	Macerator Motor 12 V DC	F41-312	Standoff (4)
33-102A	Mixer Motor 2 ½" Dia. 24 V DC	M30	¼"-20 Brass Nut (4)
34-101A	Macerator Motor 24, 32 V DC	M31	#14 Brass Flat Washer (4)
34-102A	Mixer Motor 2 ½" Dia. 32 V DC	RWS5	"O" Ring
34-218	Fuse (2) MDL 5 (32 V DC)		
41-100	Tablet Dispenser Complete (less cartridge)	42-1000	Treatment Unit Complete, 12VDC
41-102	Tank Divider	43-1000	Treatment Unit Complete, 24VDC
41-105	90° elbow, ¼" insert x ¼" NPT		
41-106	"T" Fitting	44-1000	Treatment Unit Complete, 32VDC
41-110	Vent Kit for Tablet Dispenser (Incl. #53, 54, & 55)		