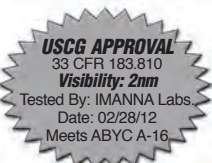


PERKO®

**Cat. No. 1608 Series
L.E.D. Reduced Glare White All-Round Lights
Patent Pending**



The above lights are designed for use on power driven vessels under 20 meters (65.6 ft.) in length operating on a nominal 12 volt system. In order to comply with '72 COLREGS and the U.S. Inland Rules, the following must be adhered to:

MOUNTING INFORMATION

Read all instructions before proceeding.

- 1). For proper light selection, positioning and configuration, refer to A.B.Y.C. Standard A-16 (1), the '72 COLREGS, and the U.S. Inland Rules (2).
- 2). These lights are designed to be mounted on a horizontal surface.
- 3). Horizontal rotation of these lights is unimportant, as all-round lights have 360° horizontal arc of visibility. However, aesthetically, mount the light as shown in Diagram #1.
- 4). Cut out the template below. Tape it to the mounting surface.
- 5). Drill two holes through the template to accommodate #8 oval head mounting screws. Drill one 3/8 inch hole to accommodate the electrical supply wires.
- 6). Attach supply connections to the light, making sure to wire in accordance with both A.B.Y.C. Standard E-9* and U.S. Coast Guard Safety Standards for Boat Electrical Systems (33 CFR 183)*. **Observe polarity.**
- 7). Mount the base in accordance with the template.
- 8). Make sure the light is vertical during operation, in order to assure compliance with the technical details of the regulations and employ the "Reduced Glare" feature of this optical system. See Diagram #2
- 9). These lights use white L.E.D.'s and therefore are not serviceable. The lens/globe is permanently sealed and cannot be opened.

*The above referenced standards can be obtained from:

- | | |
|--|---|
| (1) American Boat & Yacht Council, Inc.
613 Third Street, Suite 10
Annapolis, MD 21403 | (2) U.S. Coast Guard
Washington, D.C. 20593
(or your local C.G. Office) |
|--|---|

DIAGRAM #1

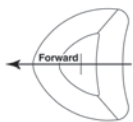


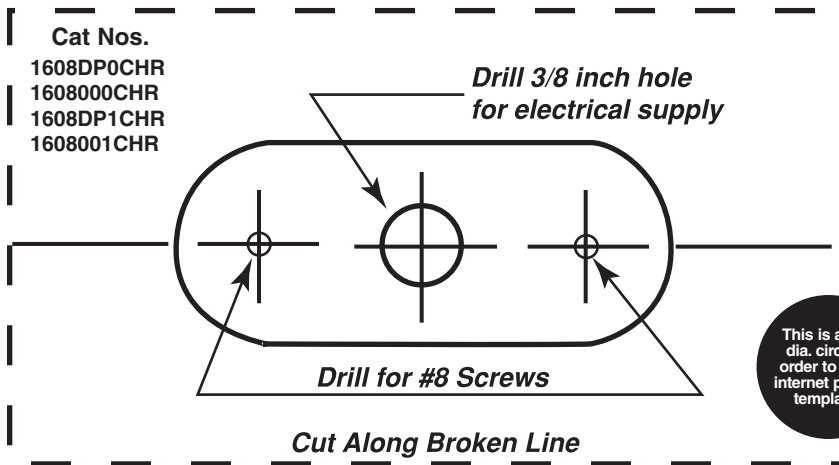
DIAGRAM #2



PERKO, INC.
16490 N.W. 13th Avenue
Miami, FL 33169-5707
www.perko.com

1608INS1
02/12

Mounting Template



PERKO®

**Cat. No. 1608 Series
L.E.D. Reduced Glare White All-Round Lights
Patent Pending**



The above lights are designed for use on power driven vessels under 20 meters (65.6 ft.) in length operating on a nominal 12 volt system. In order to comply with '72 COLREGS and the U.S. Inland Rules, the following must be adhered to:

MOUNTING INFORMATION

Read all instructions before proceeding.

- 1). For proper light selection, positioning and configuration, refer to A.B.Y.C. Standard A-16 (1), the '72 COLREGS, and the U.S. Inland Rules (2).
- 2). These lights are designed to be mounted on a horizontal surface.
- 3). Horizontal rotation of these lights is unimportant, as all-round lights have 360° horizontal arc of visibility. However, aesthetically, mount the light as shown in Diagram #1.
- 4). Cut out the template below. Tape it to the mounting surface.
- 5). Drill two holes through the template to accommodate #8 oval head mounting screws. Drill one 3/8 inch hole to accommodate the electrical supply wires.
- 6). Attach supply connections to the light, making sure to wire in accordance with both A.B.Y.C. Standard E-9* and U.S. Coast Guard Safety Standards for Boat Electrical Systems (33 CFR 183)*. **Observe polarity.**
- 7). Mount the base in accordance with the template.
- 8). Make sure the light is vertical during operation, in order to assure compliance with the technical details of the regulations and employ the "Reduced Glare" feature of this optical system. See Diagram #2
- 9). These lights use white L.E.D.'s and therefore are not serviceable. The lens/globe is permanently sealed and cannot be opened.

*The above referenced standards can be obtained from:

- | | |
|--|---|
| (1) American Boat & Yacht Council, Inc.
613 Third Street, Suite 10
Annapolis, MD 21403 | (2) U.S. Coast Guard
Washington, D.C. 20593
(or your local C.G. Office) |
|--|---|

DIAGRAM #1

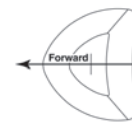


DIAGRAM #2



PERKO, INC.
16490 N.W. 13th Avenue
Miami, FL 33169-5707
www.perko.com

1608INS1
02/12

Mounting Template

