

PERKO®

Cat No. 0945000CHR and Cat No. 0945DP0CHR Stern Lights



The above lights are designed for use on sail or power driven vessels under 20 Meters (65.6 ft.) in length operating on nominal 12 volt or 24 volt systems. In order to comply with '72 COLREGS* and the U.S. Inland Rules*, the following must be adhered to:

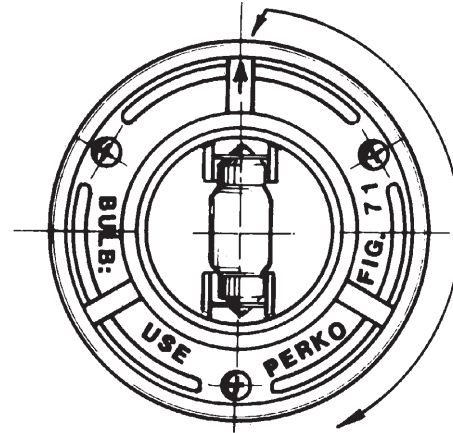
MOUNTING INSTRUCTIONS

Read all instructions before proceeding

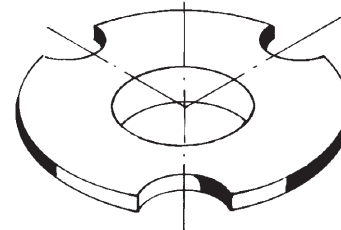
- 1). These instructions show the orientation of the light after the proper mounting location has been determined. For proper light selection, positioning and configuration, refer to A.B.Y.C. Standard A-16*, the '72 COLREGS* and the U.S. Inland Navigation Rules*. This light is supplied complete with a 12 volt bulb (Cat. No. 0071DP0CLR), however, 24 volt bulbs (Cat No. 0072DP1CLR) are available for 24 volt systems.
- 2). This light is designed to be mounted on a vertical surface that is perpendicular to the centerline of the boat facing astern.
- 3). In Diagram #1, "A" indicates the bulb position relative to the boat, and is molded into the base.
- 4). First note the bulb position relative to the boat ("A"). This determines the orientation of the black base. In all cases, the bulb is positioned such that the arrow in the base points vertically upward.
- 5). Draw a 6 inch long vertical reference line through the center of the selected mounting location.
- 6). Cut out the mounting template on back. Place it on the mounting surface such that the reference line (drawn above) passes through the exact center of the template. Hold the template down temporarily at the center with a sharp point (pencil point, awl, etc.).
- 7). Rotate the template around the sharp point until the appropriate arrow is on the reference line and points vertically upward.
- 8). Tape the template down and double check that the reference line passes under the arrow and through the center of the template.
- 9). Drill 3 holes through the template for #4 mounting screws.
- 10). Drill either two 1/2 inch diameter holes as indicated near the center or one large 1-3/8 inch hole at the center to provide the necessary clearance for the supply connections. If two 1/2 inch holes are drilled, discard the mounting flange supplied with the light (shown in Diagram #2). If a 1-3/8 inch hole is drilled, caulk between the flange and the deck and press flange into the 1-3/8 inch hole, such that the three notches on the outer perimeter provide clearance for the mounting screws.
- 11). Attach supply connections to the light, making sure to wire in accordance with both A.B.Y.C. Standard E-9* and U.S. Coast Guard Safety Standards for Boat Electrical Systems (33 CFR 183)*.
- 12). Mount the light in accordance with Diagrams #1 and Step #4. Note that there are thin reference marks around the outside of the black base that must be aligned with the reference line (drawn in Step #5) for the final accuracy of the mounting orientation.
- 13). Recheck that the arrow molded into the base is pointing vertically upward.

* The above referenced standards can be obtained from:

- | | |
|--|---|
| 1). American Boat & Yacht Council, Inc.
613 Third Street, Suite 10
Annapolis, MD 21403 | 2). U.S. Coast Guard
Washington, D.C. 20593
(or your local C.G. Office) |
|--|---|

DIAGRAM #1

NOTE: ARROW MOLDED INTO PLASTIC BASE TO INDICATE BULB POSITION

DIAGRAM #2

12/08
0945INS1

PERKO, INC.
16490 N.W. 13th Avenue
Miami, Fl. 33169-5707
www.perko.com

MOUNTING TEMPLATE

