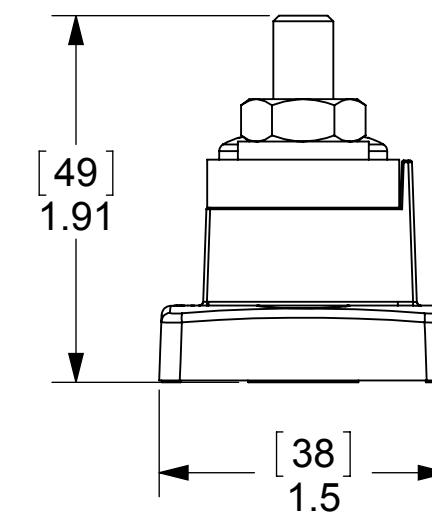
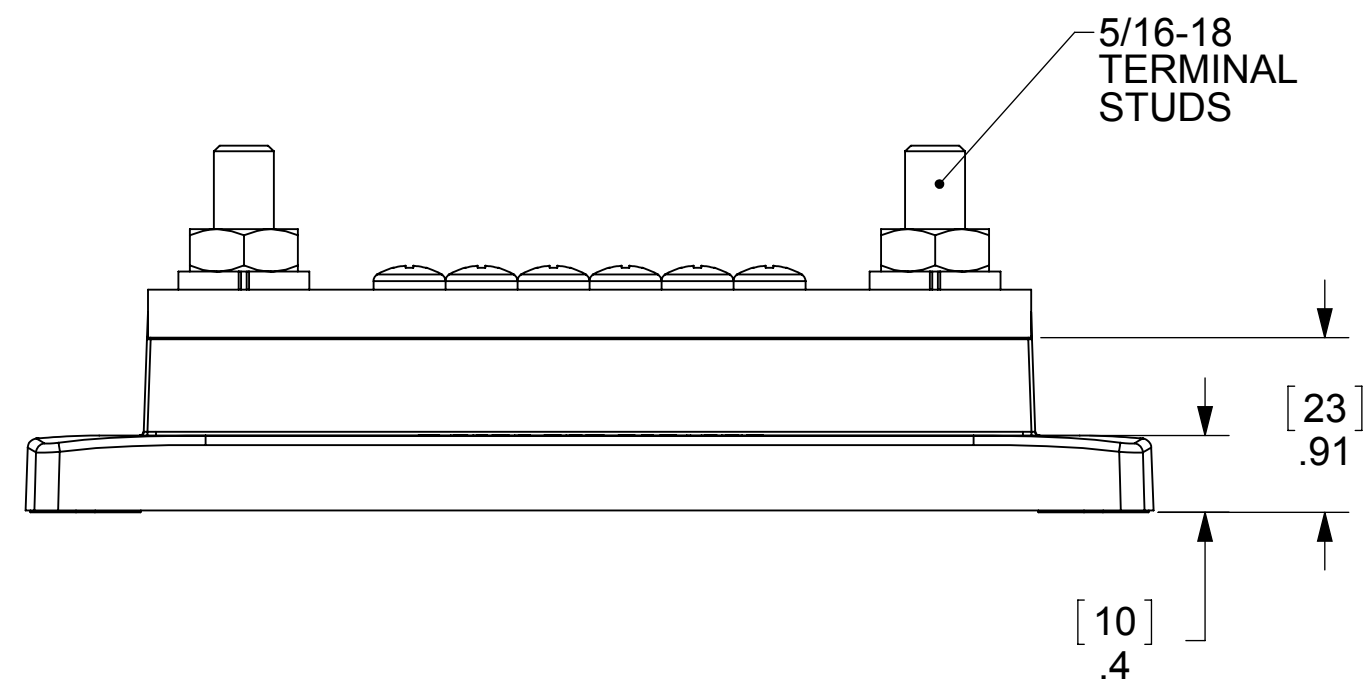
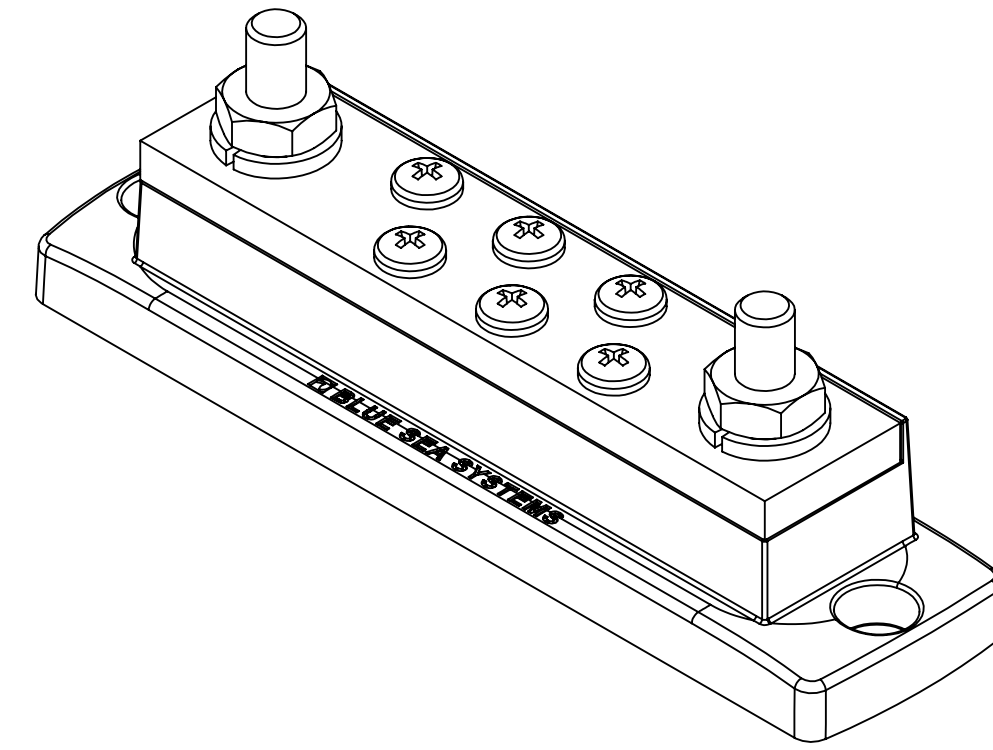
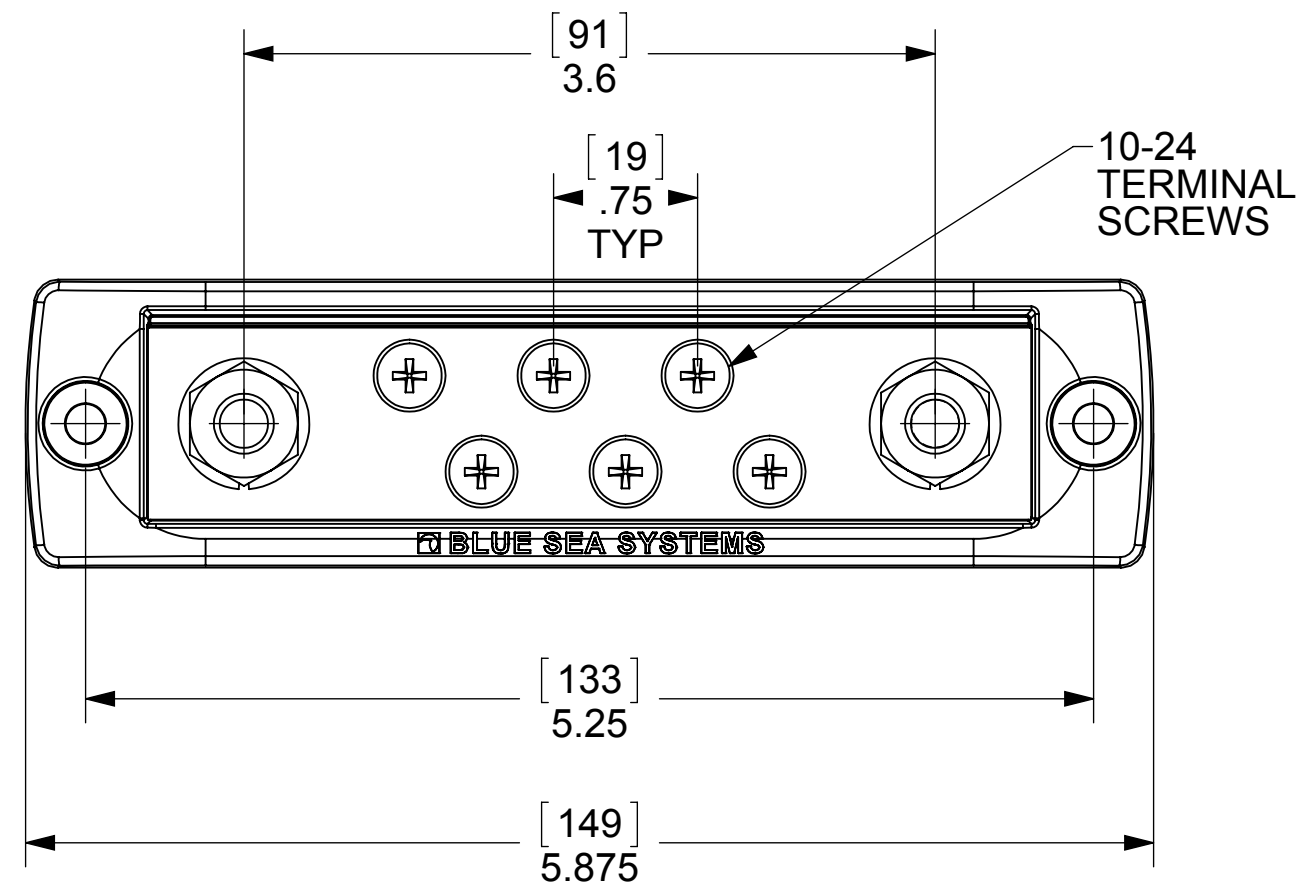


THIS DRAWING AND THE INFORMATION CONTAINED WITHIN IT ARE CONFIDENTIAL AND MAY NOT BE COPIED OR DISCLOSED WITHOUT THE WRITTEN PERMISSION OF BLUE SEA SYSTEMS.

| REVISIONS | | | | |
|-----------|------|--------------------|-----------|-------------|
| ZONE | REV. | DESCRIPTION | DATE | APPROVED |
| | 1 | PRODUCTION RELEASE | 2012.3.27 | S. SCHANKEN |



THIRD ANGLE PROJECTION



DIMENSIONS ARE SHOWN IN INCHES AND [MILLIMETERS]. UNSPECIFIED TOLERANCES ARE:

| ANGLES | INCH | MM |
|--------|-----------|----------|
| ±0°30' | .000±.002 | .00±.051 |
| | .00±.005 | .00±.127 |
| | .00±.010 | 0±.254 |

MATERIAL: --
FINISH: --
DO NOT SCALE DRAWING

| DRAWN | NAME | DATE |
|---------|------|------------|
| T.DYKAS | | 2011.05.26 |
| CHECKED | | |
| | | |
| | | |
| | | |

COMMENTS:



MAXibus 6x10-24 x 5/16 Stud Common

Part Number: 2128

| SIZE | DWG. NO. | REV. |
|------|---|------|
| C | 2128 MAXibus 6x10-24 x 5/16 Stud Common | 1 |

SCALE 1:1 WEIGHT: NOT SPECIFIED SHEET 1 OF 1