

4

3

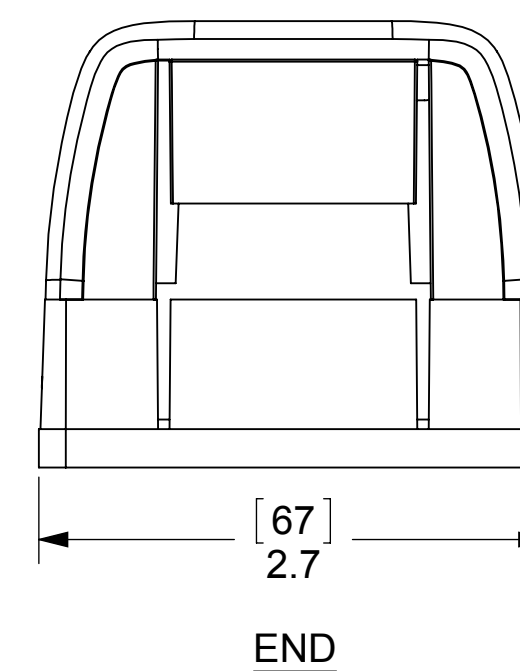
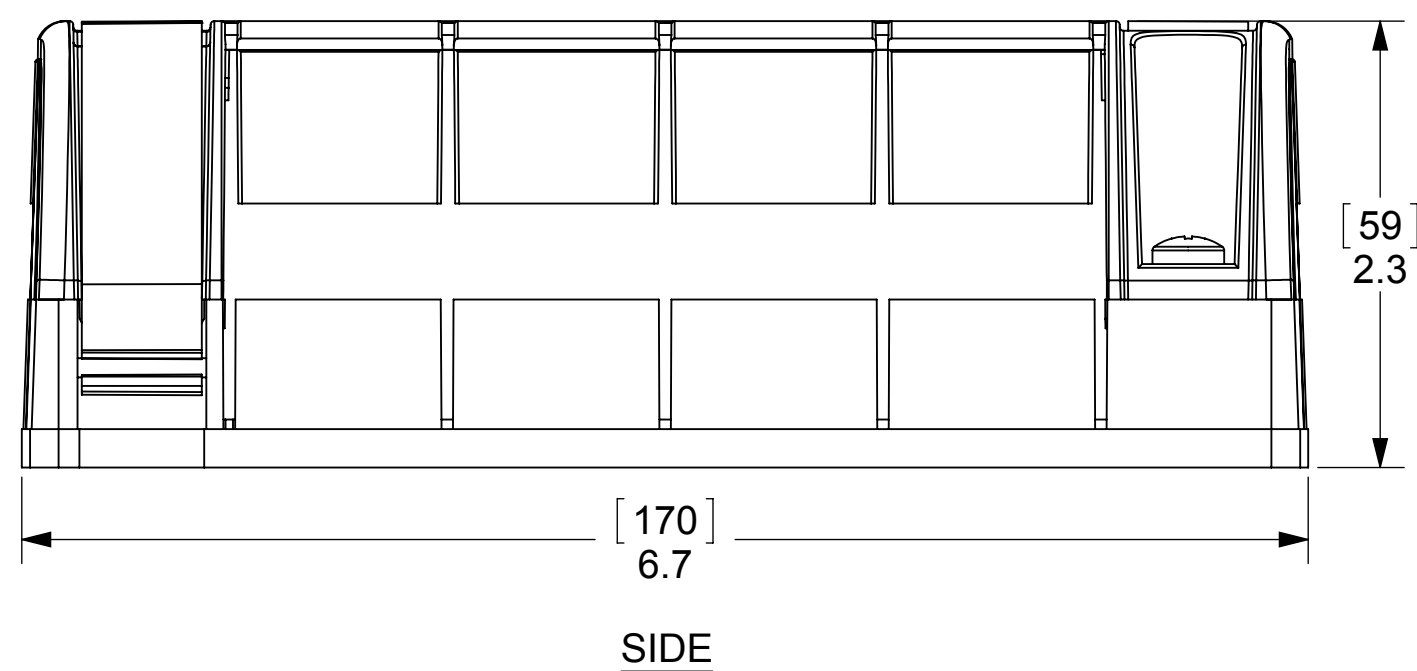
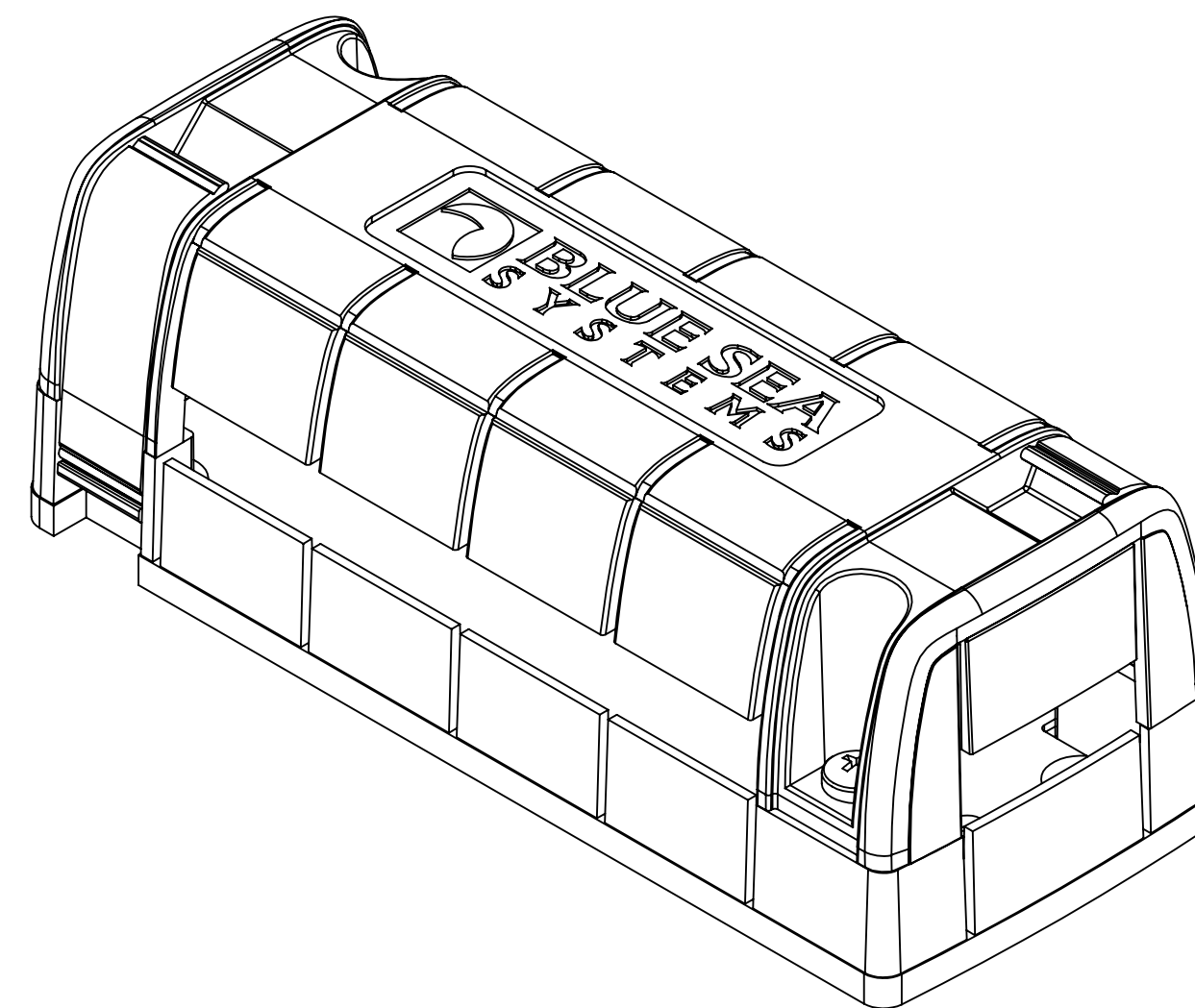
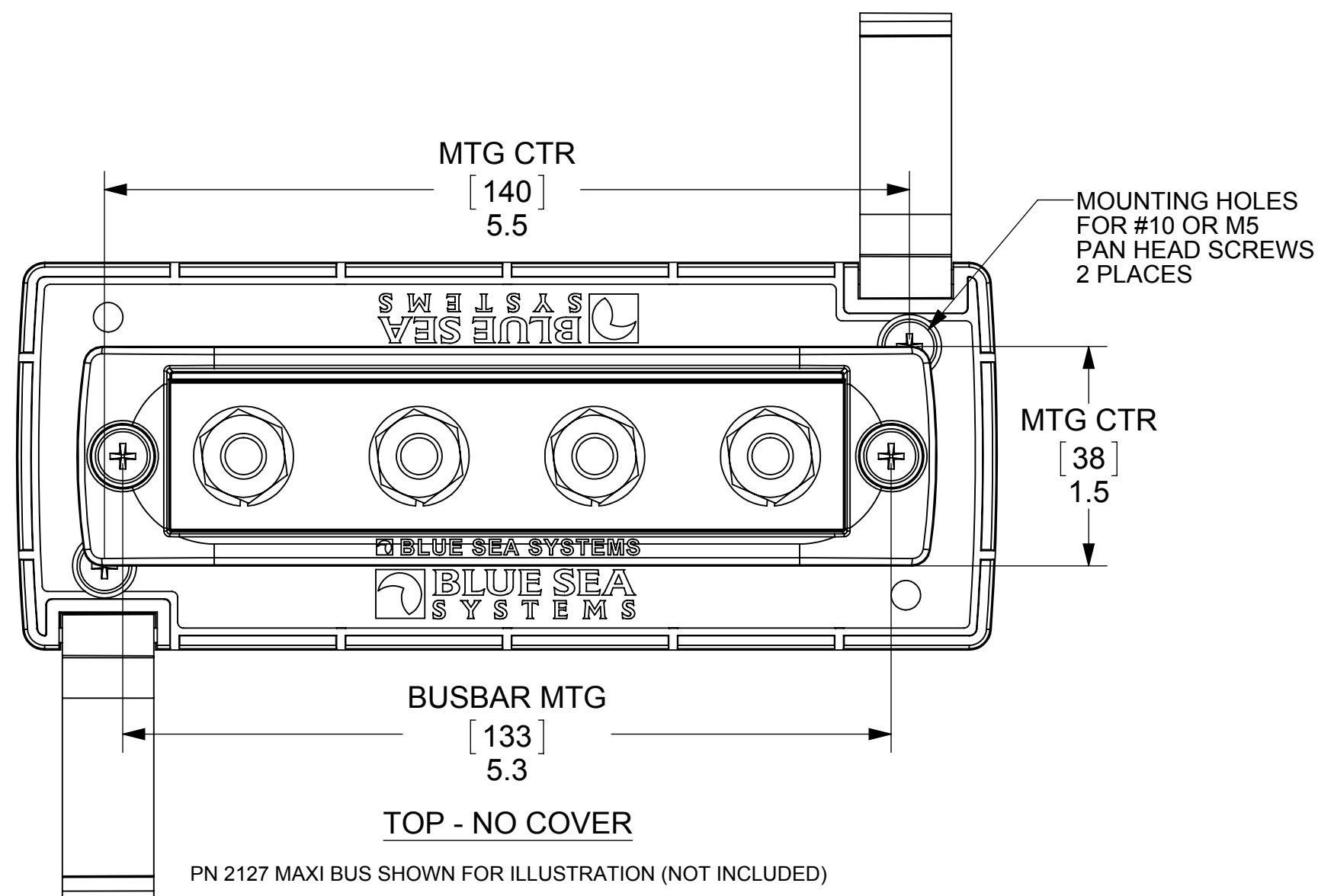
2

1

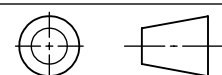
THIS DRAWING AND THE INFORMATION CONTAINED WITHIN IT ARE CONFIDENTIAL AND MAY NOT BE COPIED OR DISCLOSED WITHOUT THE WRITTEN PERMISSION OF BLUE SEA SYSTEMS.

REVISIONS

ZONE	REV.	DESCRIPTION	DATE	APPROVED
	0	INITIAL RELEASE TO GRAPHICS	6.6.2011	S. SCHANKEN



THIRD ANGLE PROJECTION



4

3

2

1

DIMENSIONS ARE SHOWN IN INCHES AND [MILLIMETERS]. UNSPECIFIED TOLERANCES ARE:

ANGLES	INCH	MM
±0°30'	.000±.002	.00±.051
	.00±.005	.00±.127
	.00±.010	0±.254

MATERIAL: --  
FINISH: --  
DO NOT SCALE DRAWING

	NAME	DATE
DRAWN	S. SCHANKEN	6.6.2011
CHECKED	-	-
APPROVED	-	-
DATE	-	-

COMMENTS:

**BLUE SEA SYSTEMS**  
 425 Sequoia Drive Bellingham, WA 98226  
 Phone (360)738-8230 Fax (360)734-4195

2719-0 Cover MAXI Bus Short

Part Number 2719

SIZE	DWG. NO.	REV.
C	2719	0
SCALE 1:1	WEIGHT: POUNDS	SHEET 1 OF 1